



US00D421075S

United States Patent [19]

[11] Patent Number: **Des. 421,075**

Hildebrandt et al.

[45] Date of Patent: **** Feb. 22, 2000**

[54] **RECUMBENT TOTAL BODY EXERCISER**

5,031,900 7/1991 Leask .
5,104,363 4/1992 Shi 482/72
5,356,356 10/1994 Hildebrandt et al. 482/62

[75] Inventors: **Mark D. Hildebrandt**, Ann Arbor;
John M. Schmidt, Grosse Pointe
Woods; **Richard K. Gresens**,
Southfield, all of Mich.

OTHER PUBLICATIONS

[73] Assignee: **NuStep, Inc.**, Ann Arbor, Mich.

Advertisement "CyclePlus 3000".
"Spin Doctors", H&F, Mar./Apr. 1997, Alyssa Lustigman
Shaffer, pp. 16, 18.

[**] Term: **14 Years**

Primary Examiner—Philip S. Hyder
Attorney, Agent, or Firm—Harness, Dickey & Pierce, PLC

[21] Appl. No.: **29/094,254**

[22] Filed: **Sep. 29, 1998**

[57] CLAIM

[51] **LOC (7) Cl.** **21-02**

The ornamental design for a recumbent total body exerciser,
as shown and described.

[52] **U.S. Cl.** **D21/676**

DESCRIPTION

[58] **Field of Search** D21/673, 674,
D21/675, 676, 662; 482/70, 72, 73, 133,
134, 138, 92, 93

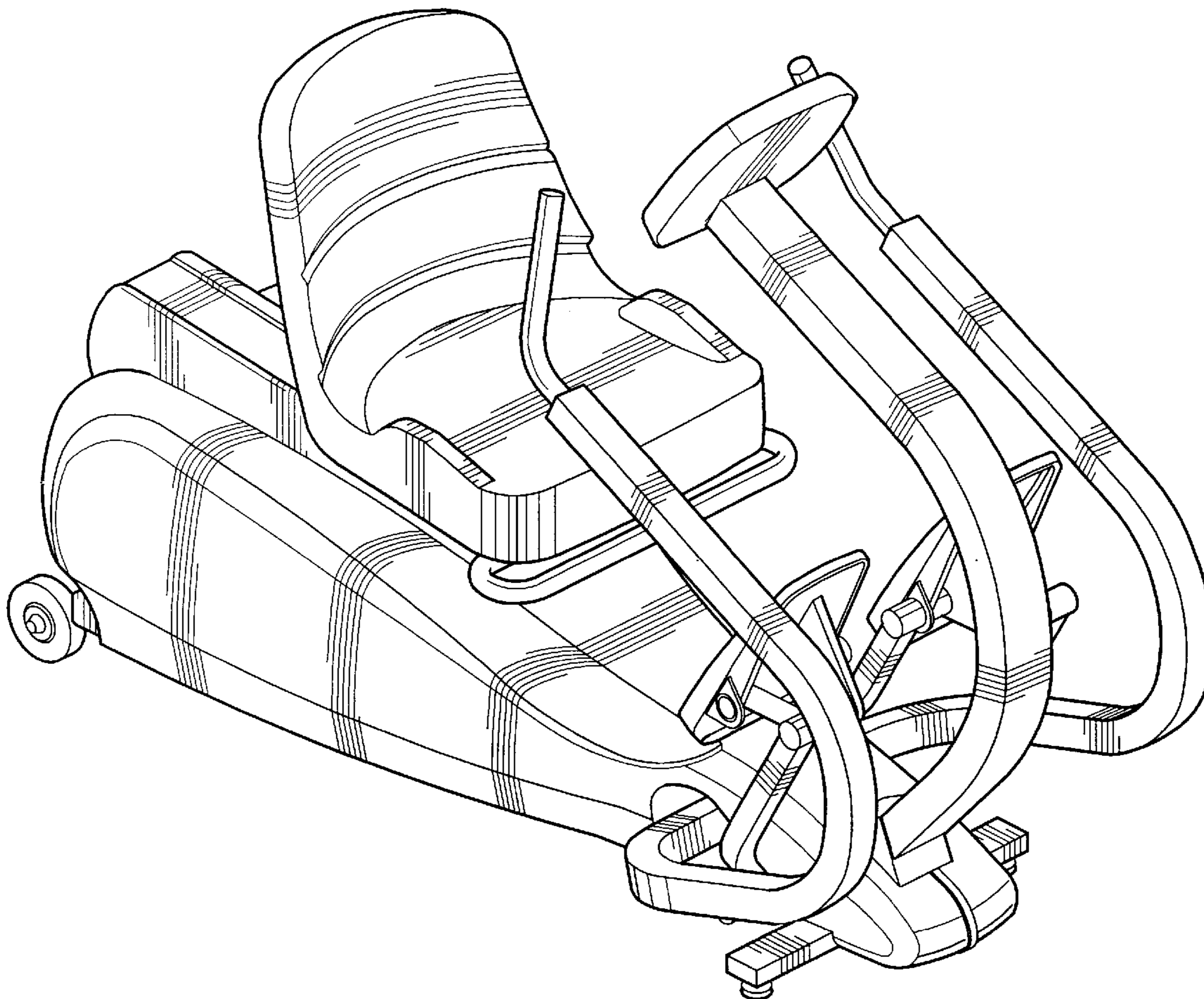
FIG. 1 is a front, right and top perspective view of the
recumbent total body exerciser apparatus;
FIG. 2 is a left side elevational view thereof;
FIG. 3 is a top plan view thereof;
FIG. 4 is a right side elevational view thereof;
FIG. 5 is a front elevational view thereof;
FIG. 6 is a rear elevational view thereof; and,
FIG. 7 is a back, left and top perspective view.

[56] References Cited

U.S. PATENT DOCUMENTS

D. 321,228	10/1991	Van Der Hoeven	D21/674
D. 357,041	4/1995	McBride et al.	D21/676
D. 359,777	6/1995	Hildebrandt et al.	D21/676
4,684,126	8/1987	Dalebout et al.	482/72
4,900,016	2/1990	Rodgers, Jr.	482/72

1 Claim, 4 Drawing Sheets



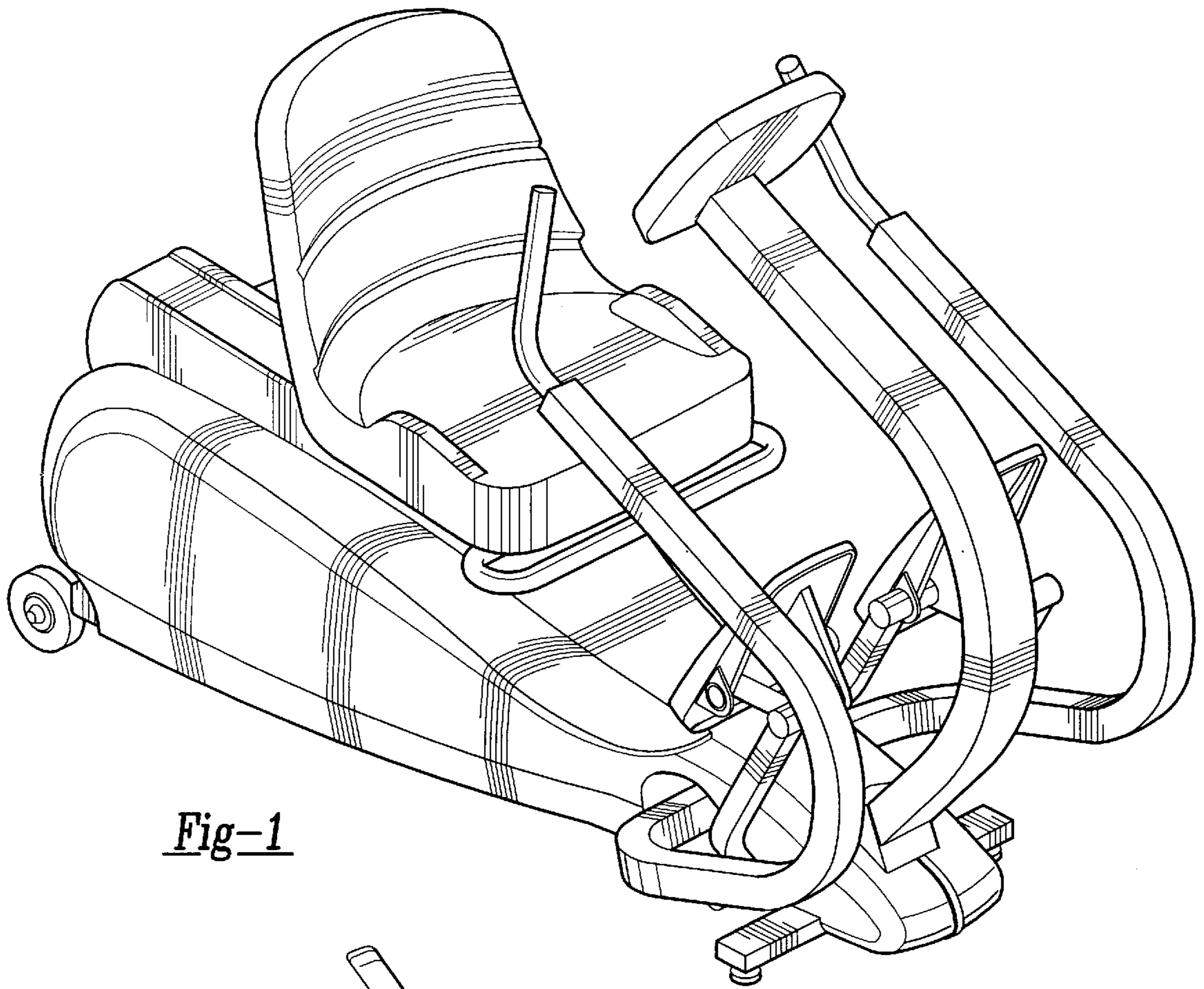


Fig-1

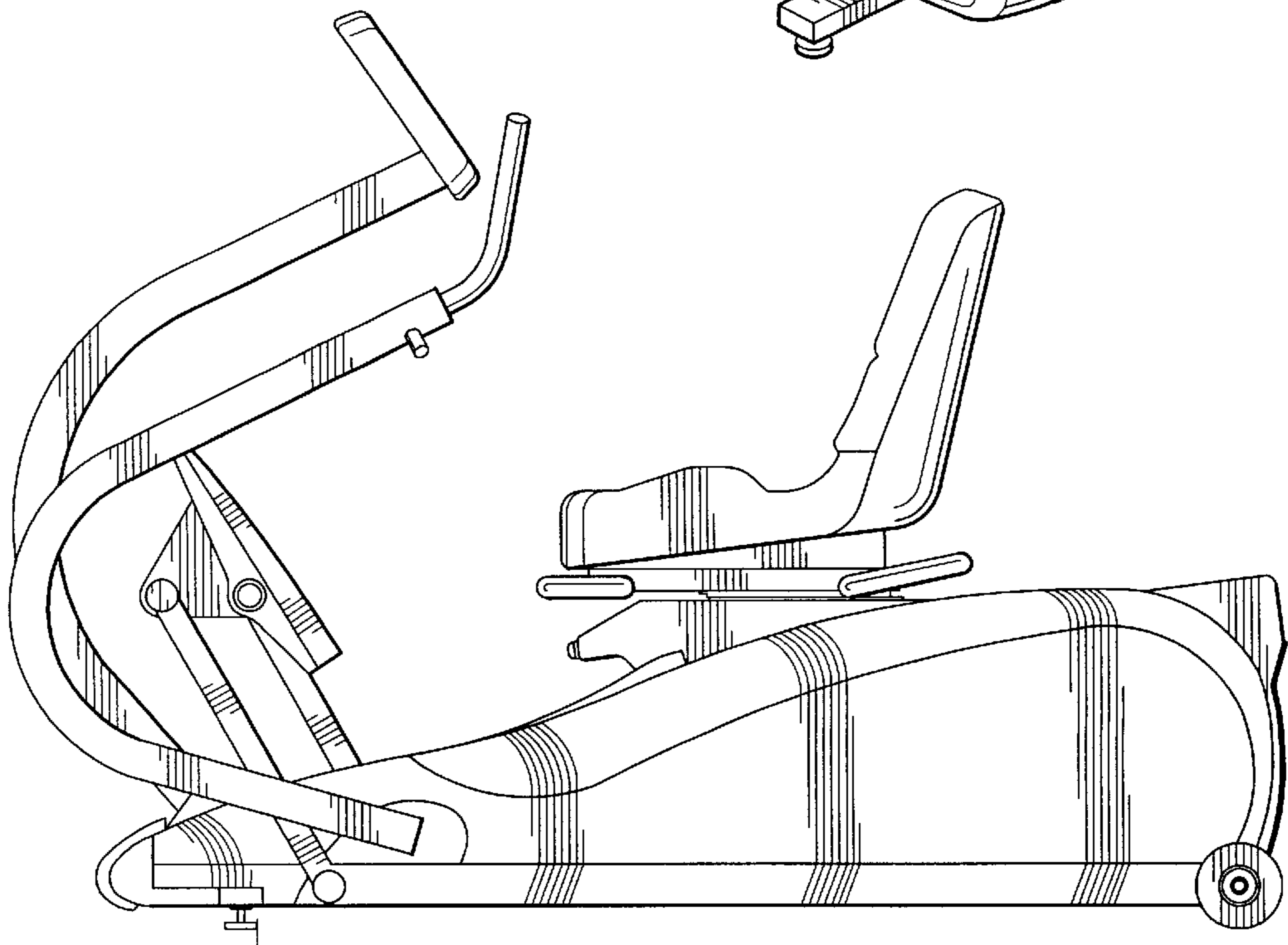


Fig-2

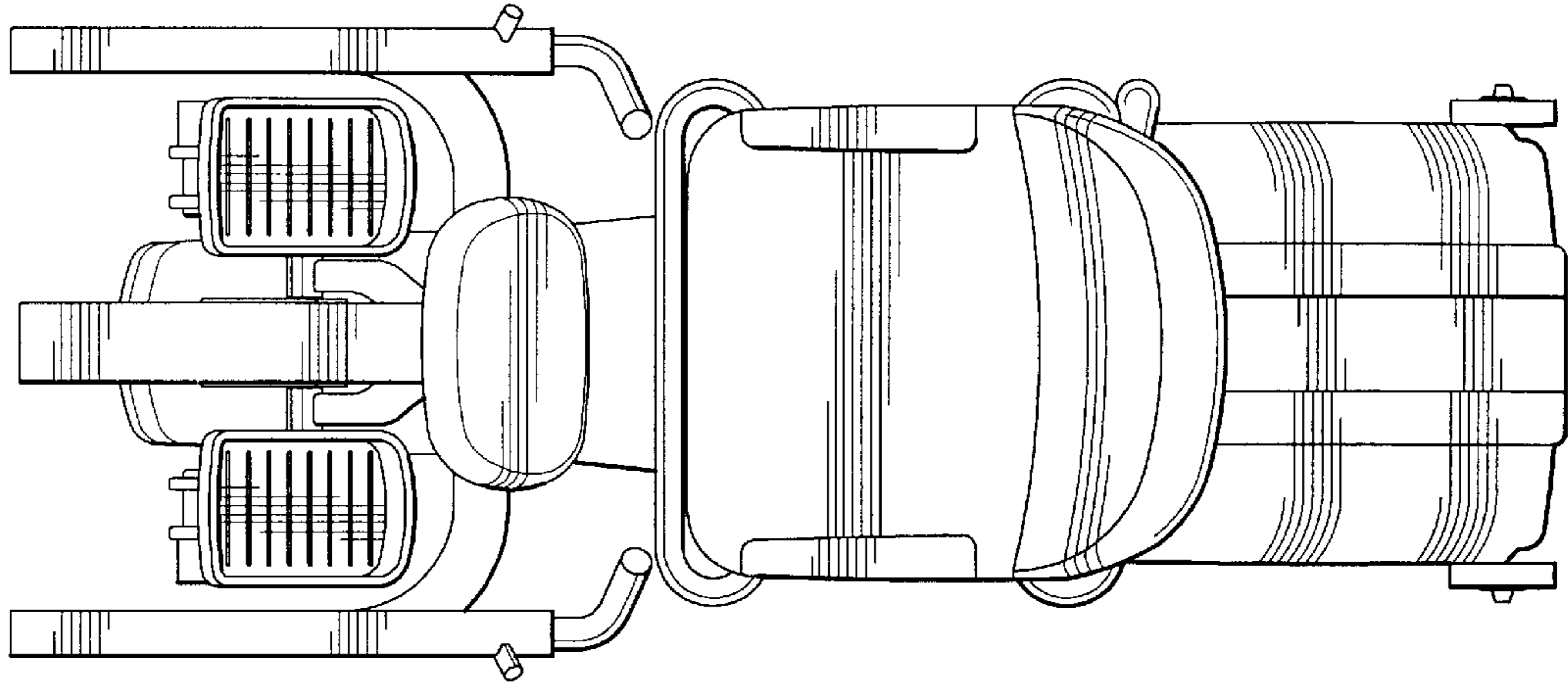


Fig-3

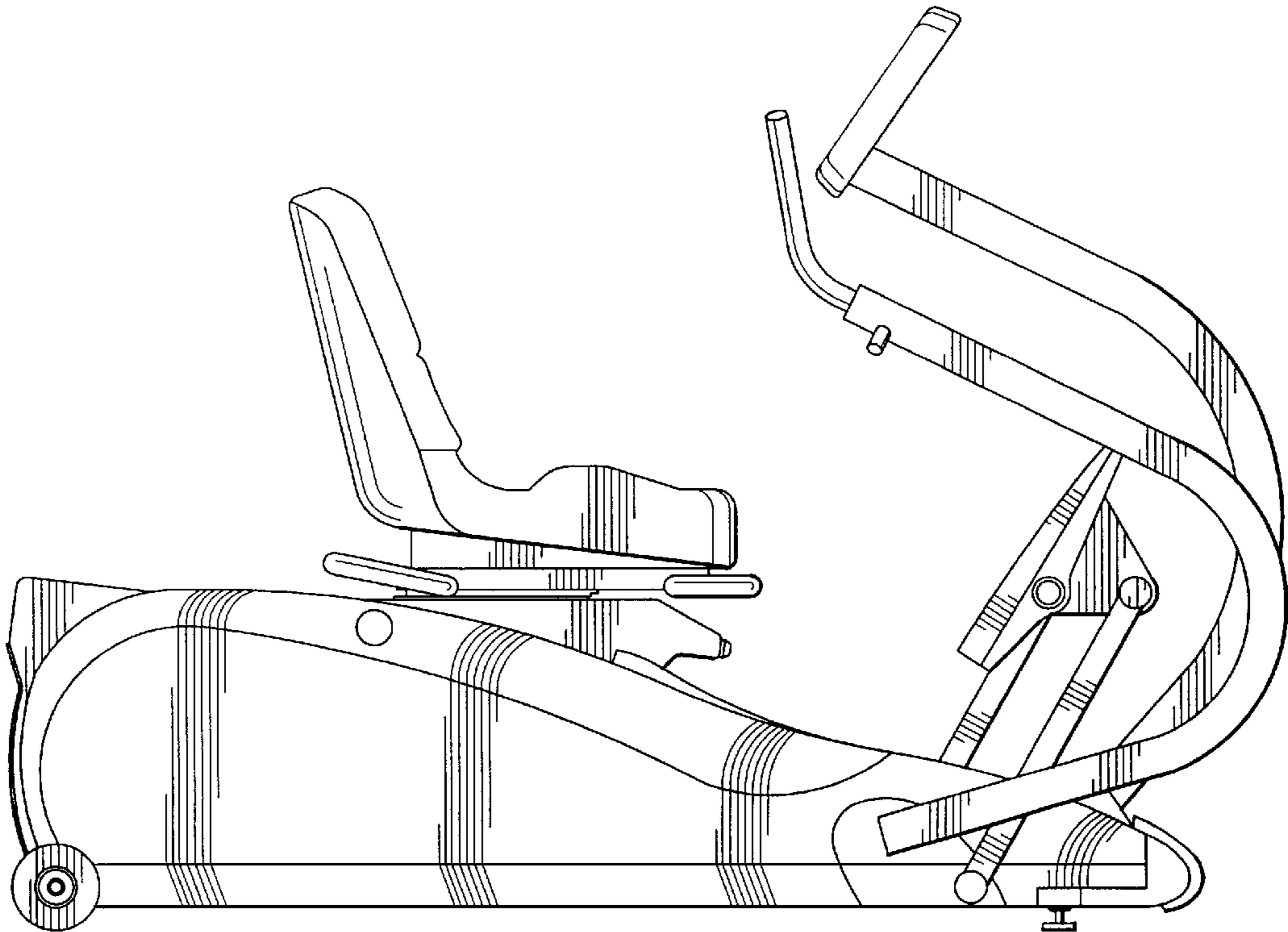


Fig-4

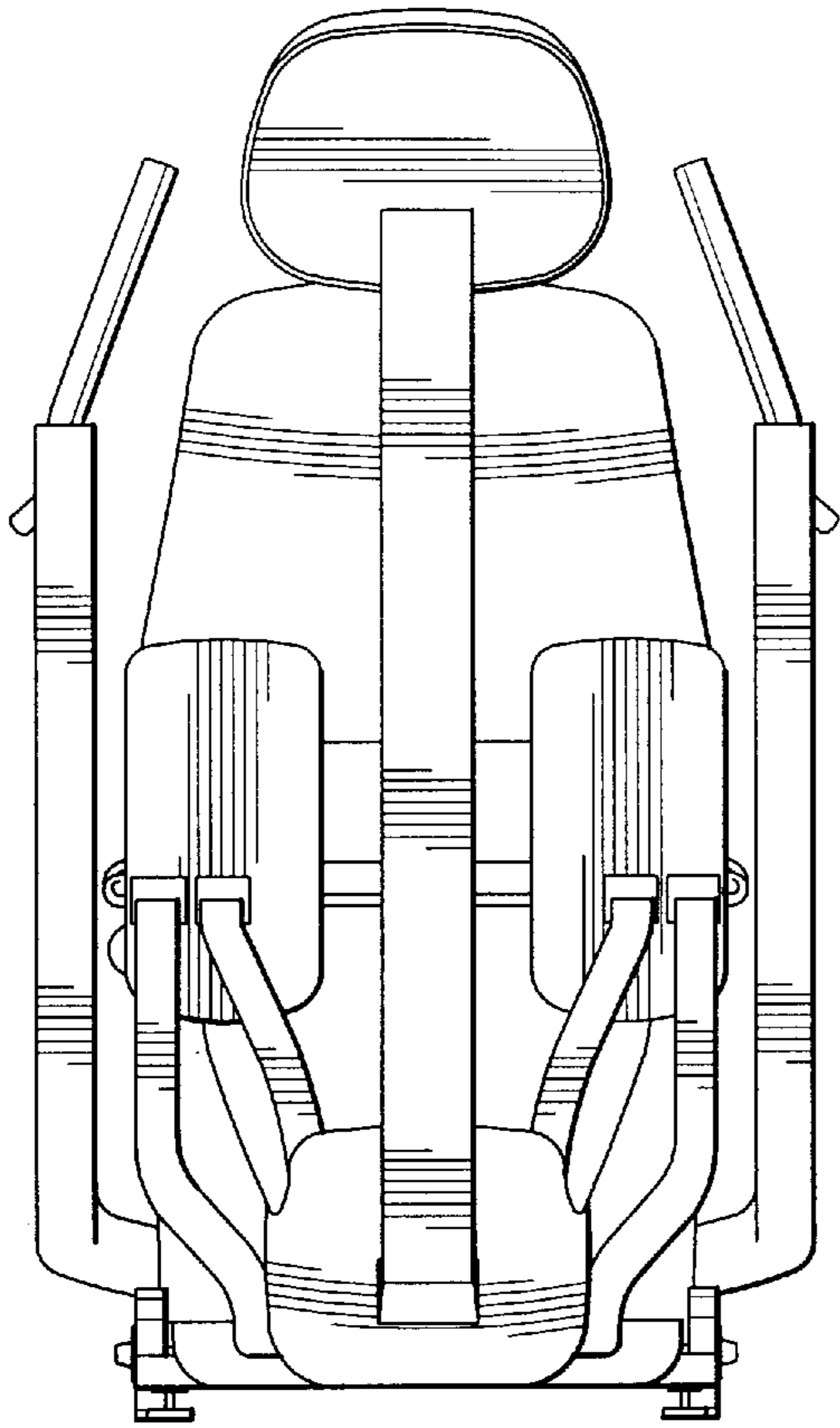


Fig-5

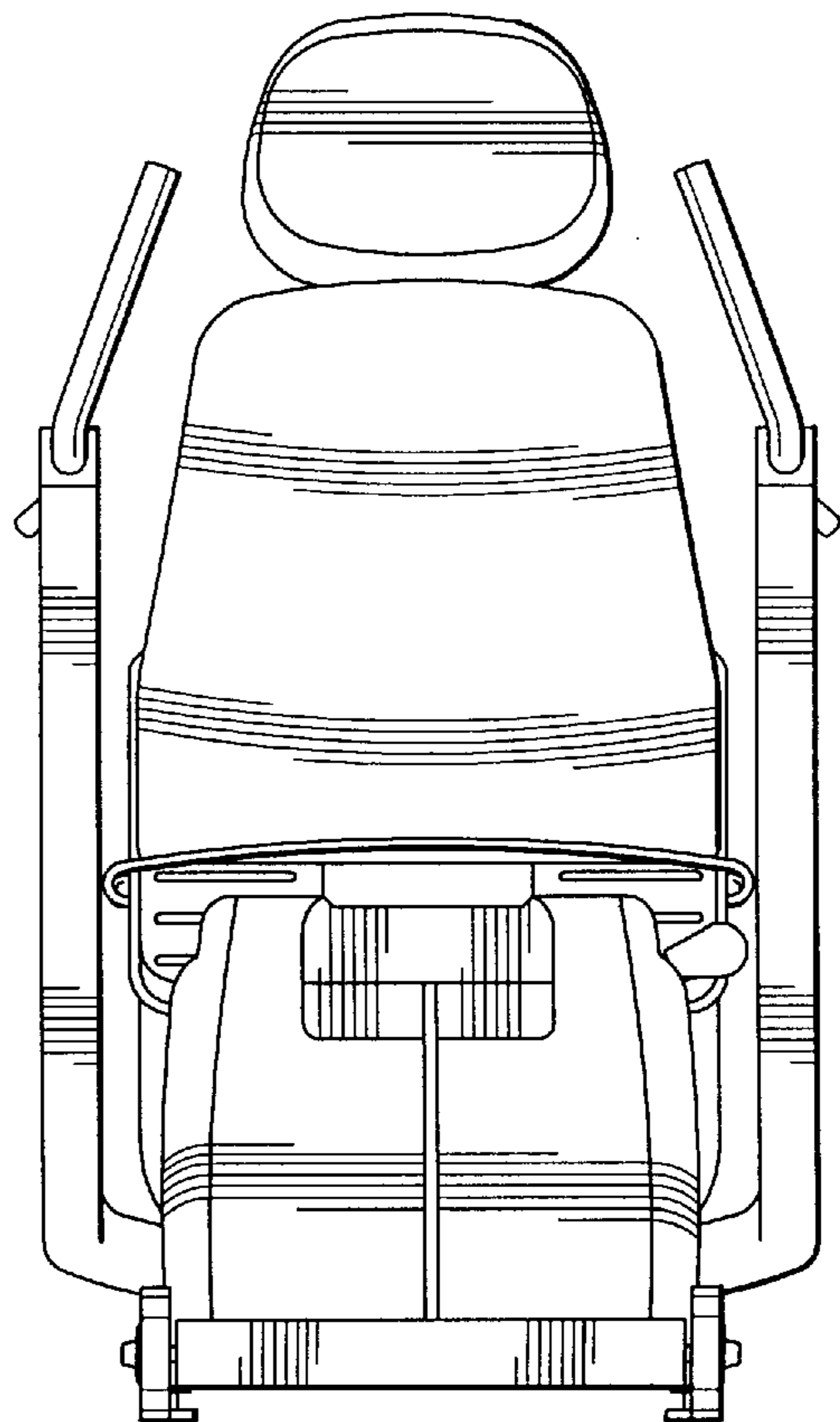


Fig-6

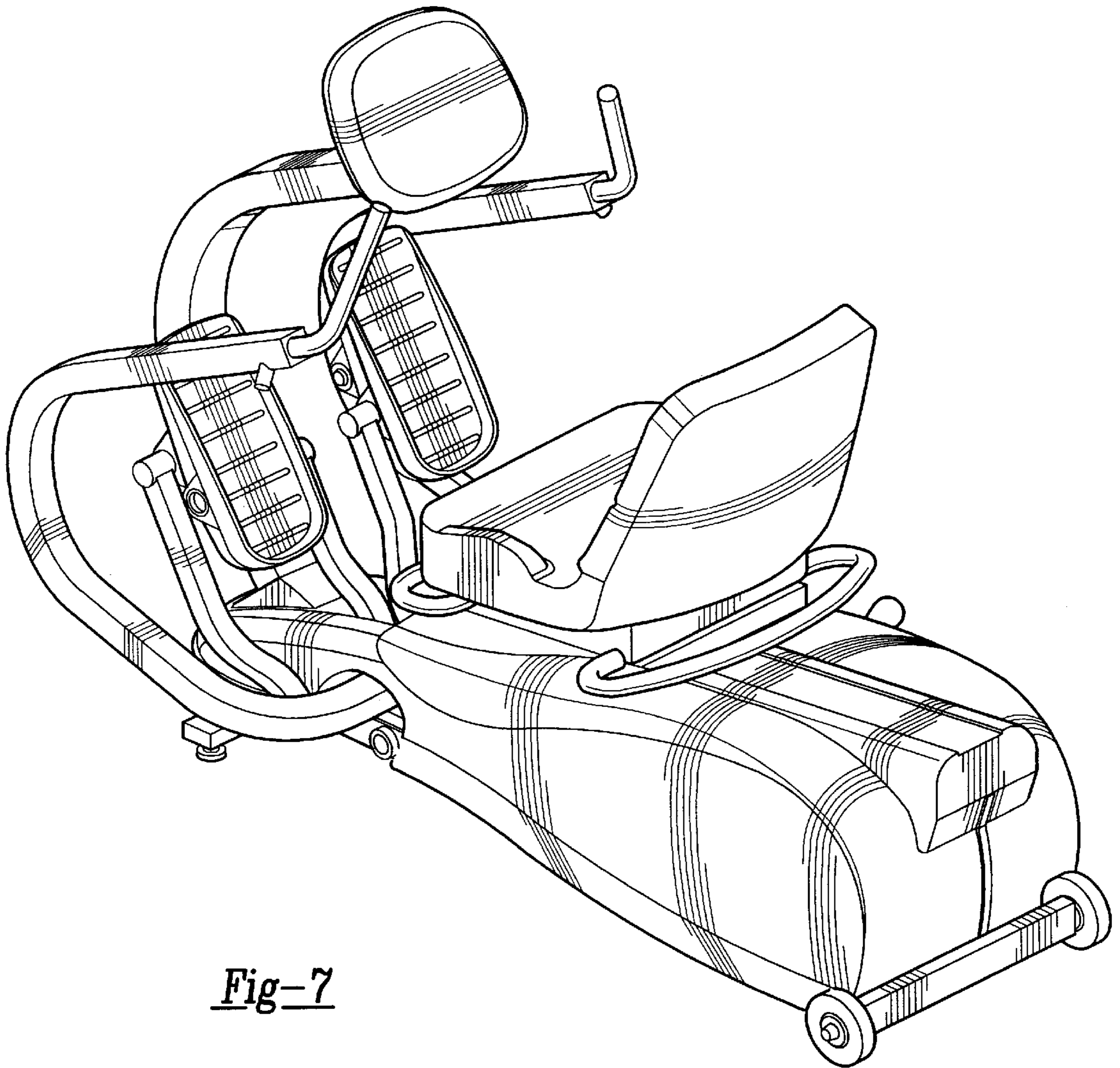


Fig-7