



US00D421073S

United States Patent [19] Wei

[11] **Patent Number: Des. 421,073**

[45] **Date of Patent: ** Feb. 22, 2000**

[54] **TOY VEHICLE**

[75] **Inventor: Kam Wah Wei**, Kowloon, The Hong Kong Special Administrative Region of the People's Republic of China

[73] **Assignee: Wah Hing Toys Development Co., Ltd.**, Kowloon, The Hong Kong Special Administrative Region of the People's Republic of China

[**] **Term: 14 Years**

[21] **Appl. No.: 29/102,142**

[22] **Filed: Mar. 17, 1999**

[51] **LOC (7) Cl. 21-01**

[52] **U.S. Cl. D21/552; 15/25**

[58] **Field of Search** D21/533, 537, D21/539, 552-560, 424, 431-435; D15/23, 25; 446/424-428, 447, 456, 465, 470; 414/635, 634

[56] **References Cited**

U.S. PATENT DOCUMENTS

D. 205,485 8/1966 Juhl et al. D15/25

D. 227,091	6/1973	Grove et al.	D21/552
D. 243,266	2/1977	Breneman	D21/537
D. 246,480	11/1977	Asano	D21/556
D. 258,298	2/1981	Gustafsson	D21/537
D. 260,158	8/1981	Breneman	D21/537
D. 295,523	5/1988	Gano	D15/25
2,248,794	7/1941	Troche	D21/537
4,710,149	12/1987	Prusman	446/425

Primary Examiner—Raphael Barkai
Attorney, Agent, or Firm—Leydig, Voit & Mayer, Ltd.

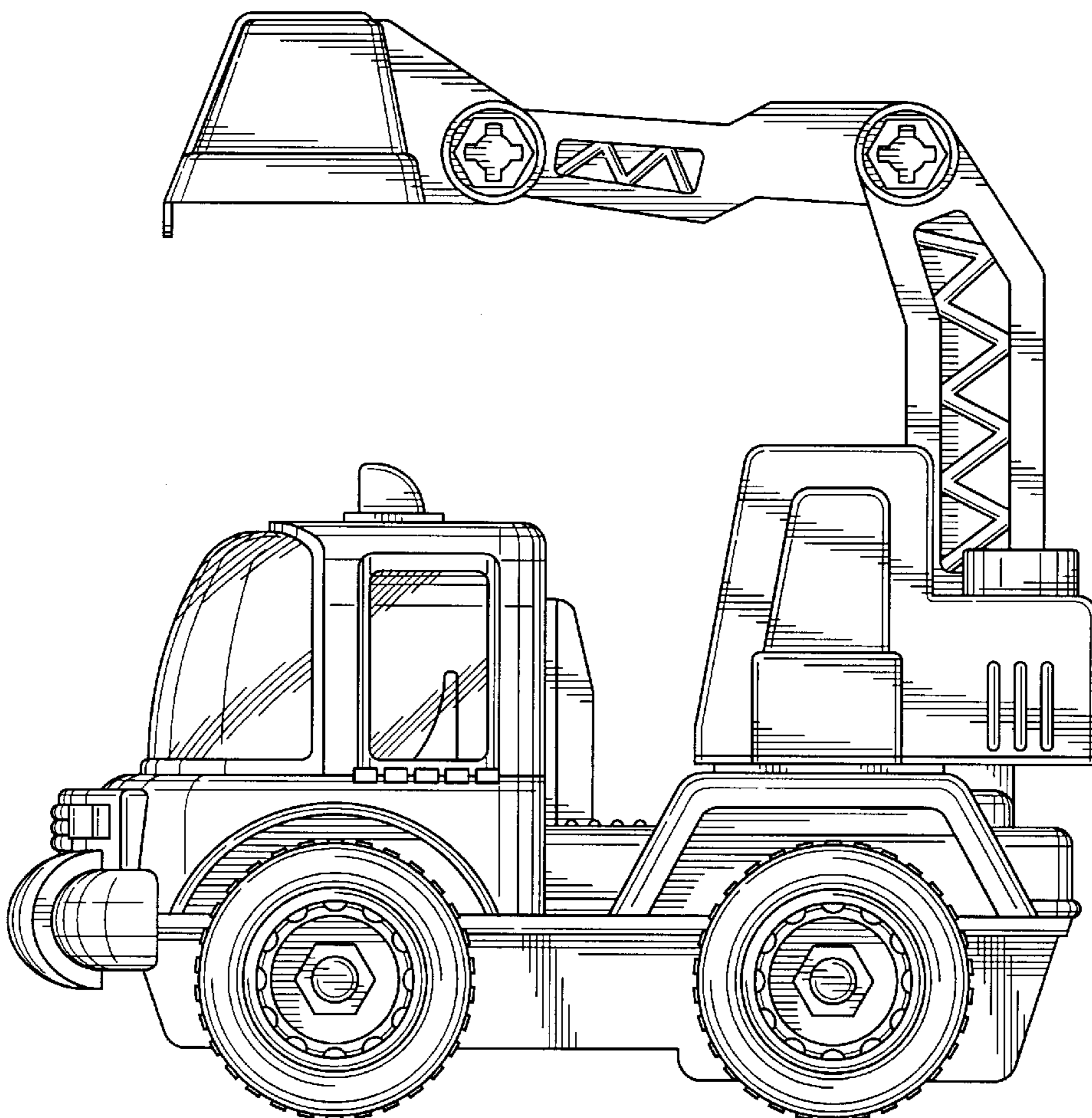
[57] **CLAIM**

The ornamental design for a toy vehicle, as shown and described.

DESCRIPTION

FIG. 1 is a left side elevational view of a toy vehicle showing my new design;
FIG. 2 is a right side elevational view thereof;
FIG. 3 is a front end elevational view thereof;
FIG. 4 is a rear end elevational view thereof;
FIG. 5 is a top plan view thereof; and,
FIG. 6 is a bottom plan view thereof.

1 Claim, 4 Drawing Sheets



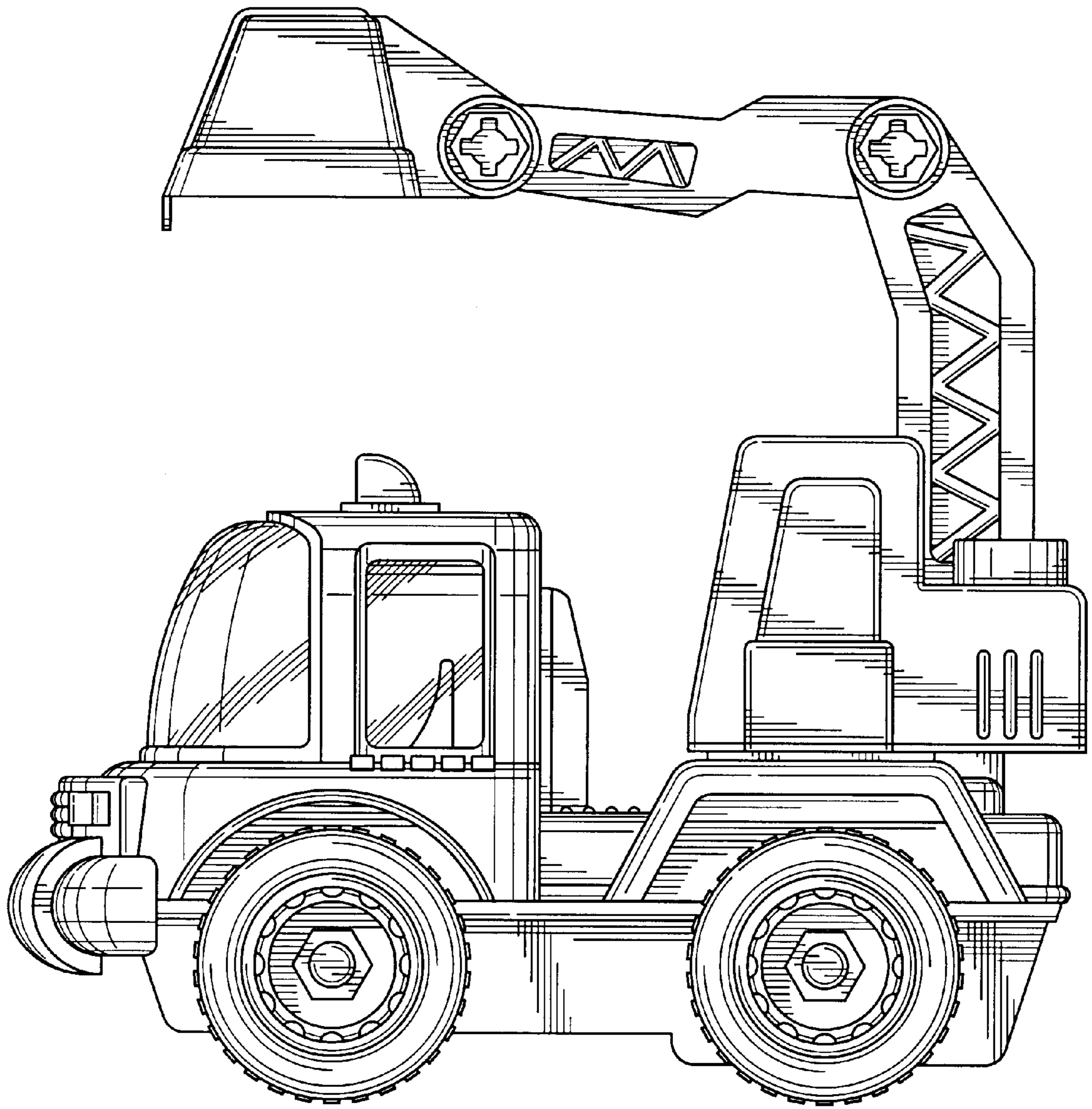


FIG. 1

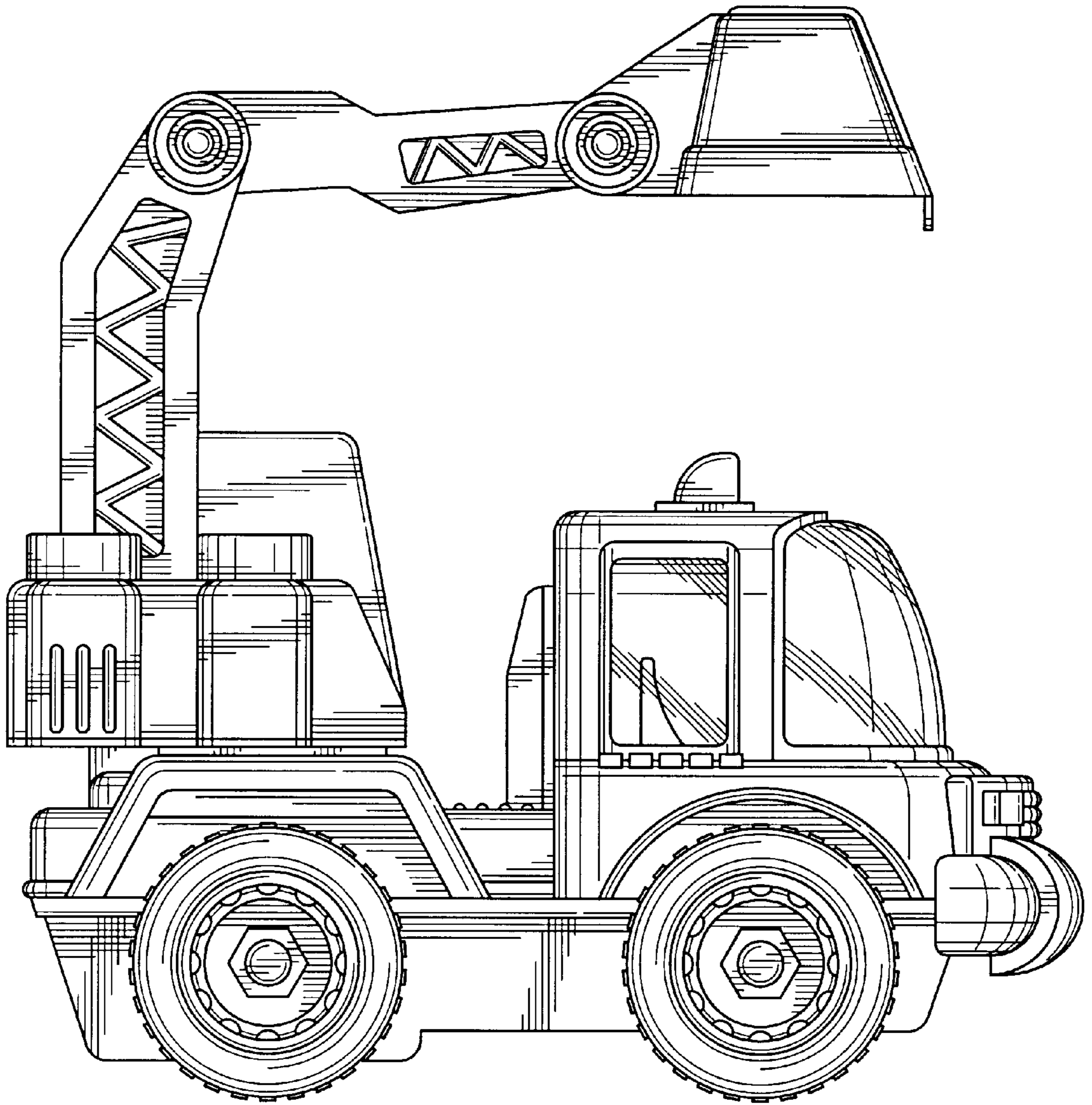


FIG. 2

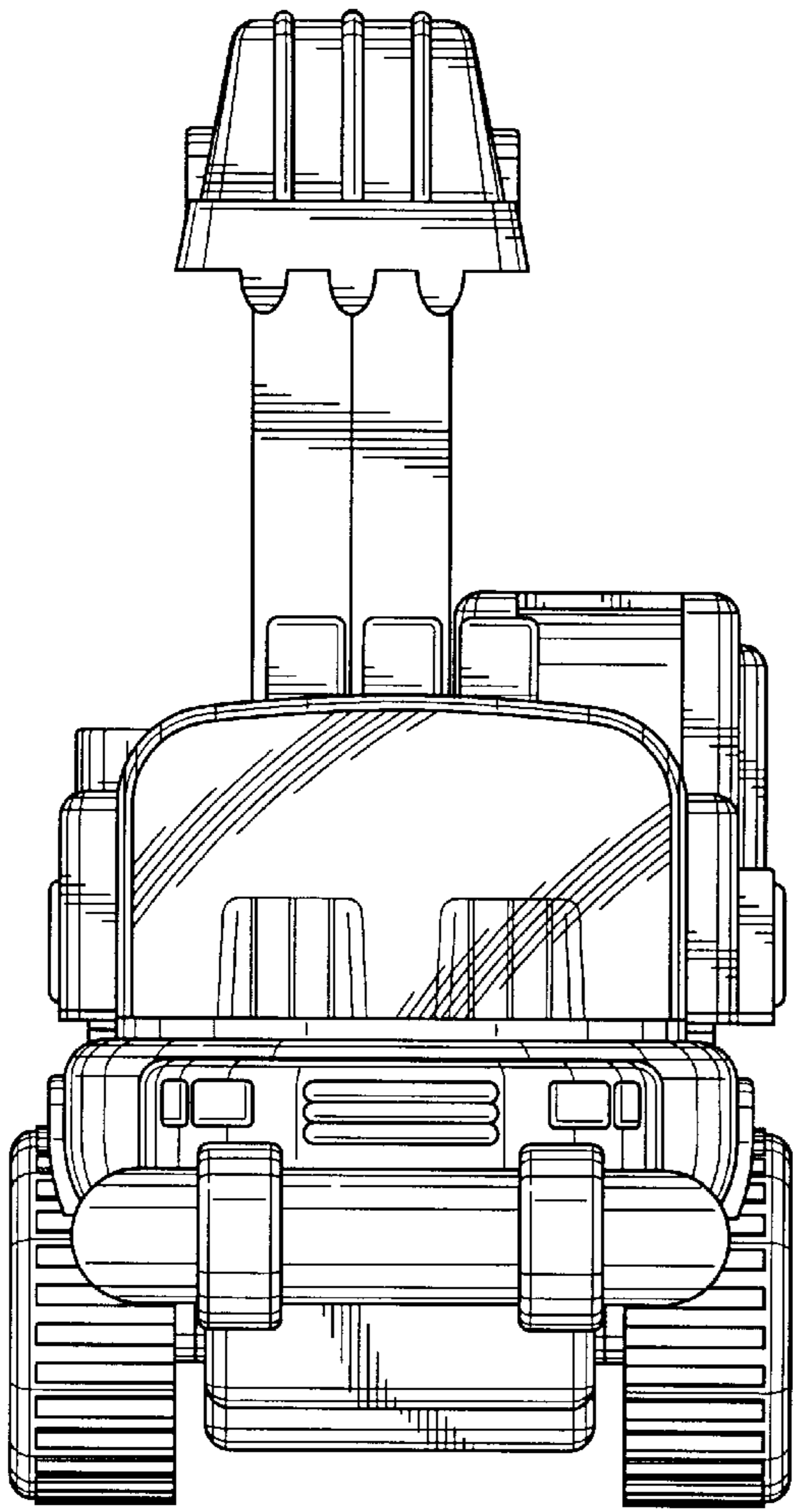
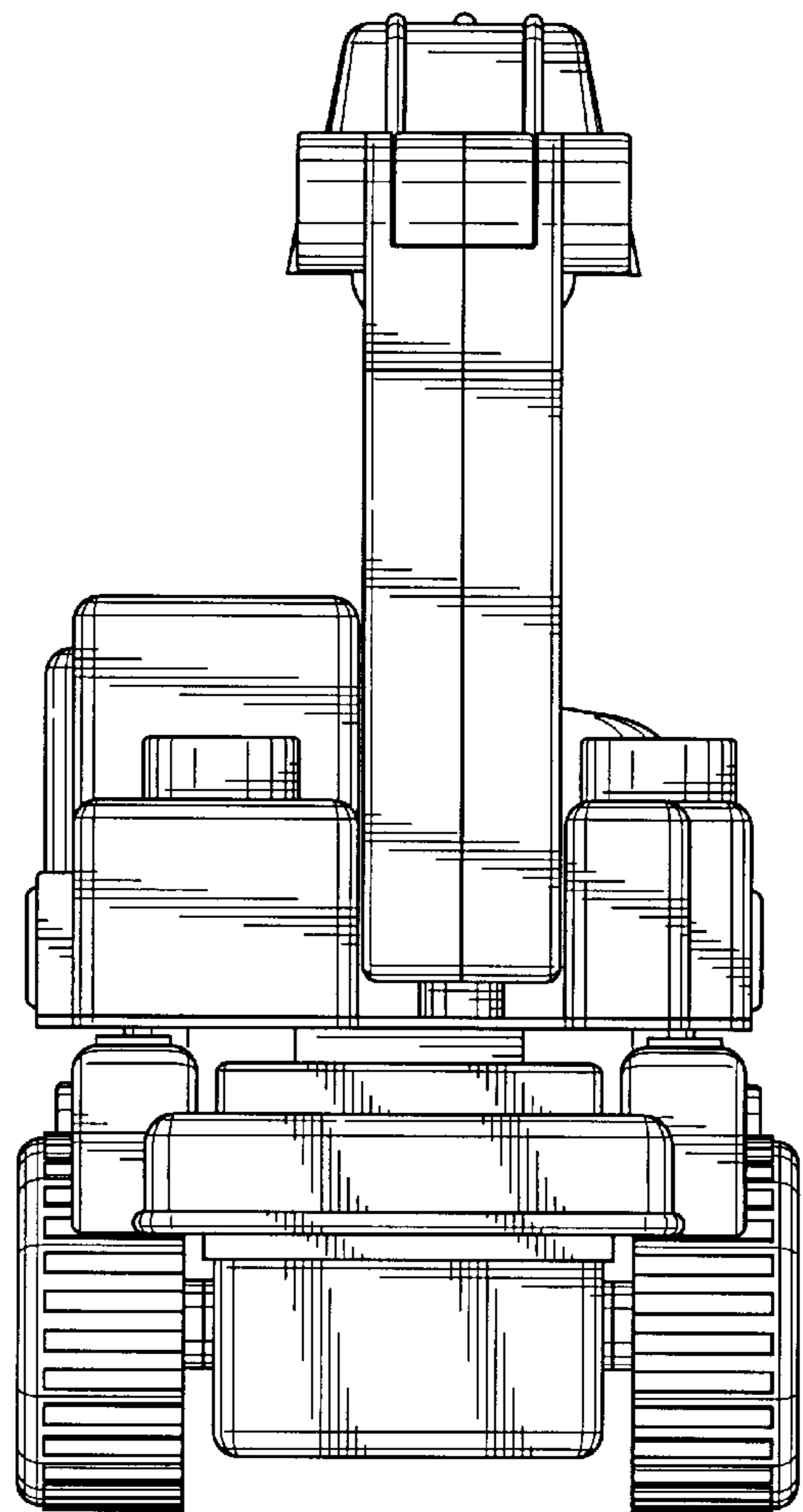


FIG. 4

FIG. 3



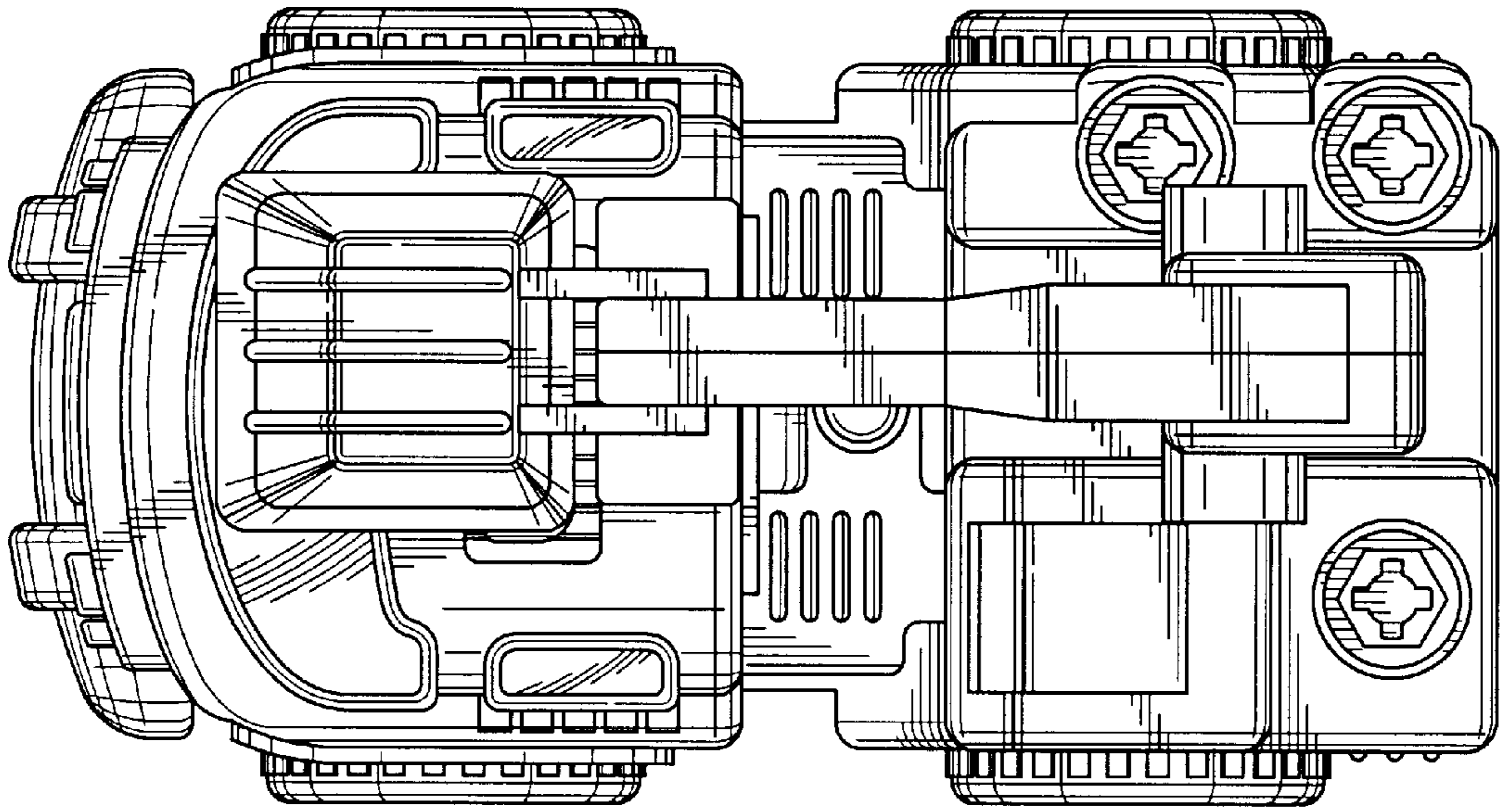


FIG. 5

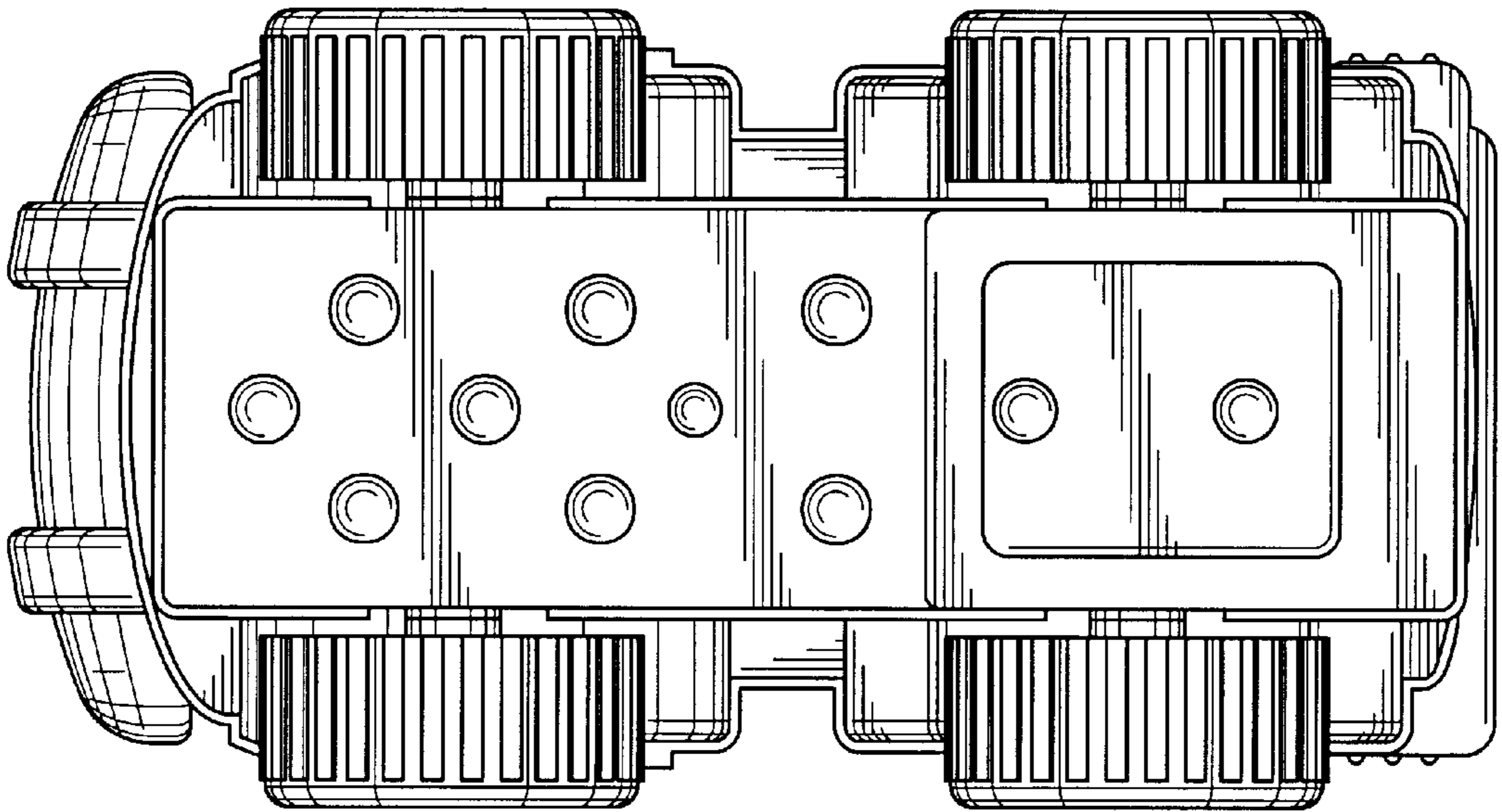


FIG. 6