



US00D421071S

United States Patent [19]
Jacobs

[11] **Patent Number: Des. 421,071**

[45] **Date of Patent: ** Feb. 22, 2000**

[54] **COMPUTER ORIENTED TOY**

[76] Inventor: **Patrick M. Jacobs**, 4 April La.,
Lexington, Mass. 02421

[**] Term: **14 Years**

[21] Appl. No.: **29/094,678**

[22] Filed: **Oct. 7, 1998**

[51] **LOC (7) Cl. 21-01**

[52] **U.S. Cl. D21/515; D14/113**

[58] **Field of Search D21/513-518;**
D14/106, 113; D19/59; 446/141, 143, 227,
408, 491

[56] **References Cited**

U.S. PATENT DOCUMENTS

D. 224,428	7/1972	Dixon	D21/515
D. 294,374	2/1988	Liu	D21/515
D. 391,240	2/1998	Pfeifer et al.	D14/113
4,373,918	2/1983	Berman	446/408
5,873,765	2/1999	Rifkin et al.	446/143

Primary Examiner—Raphael Barkai
Attorney, Agent, or Firm—Hamilton, Brook, Smith &

Reynolds, P.C.

[57] **CLAIM**

The ornamental design for a computer oriented toy, as shown and described.

DESCRIPTION

FIG. 1 is a perspective view of a first embodiment of my new design.

FIG. 2 is a right side view thereof, the left side being a mirror image thereof.

FIG. 3 is a front view.

FIG. 4 is a rear view.

FIG. 5 is a top view.

FIG. 6 is a bottom view thereof.

FIG. 7 is a perspective view of a second embodiment of my new design.

FIG. 8 is a right side view thereof, the left side being a mirror image thereof.

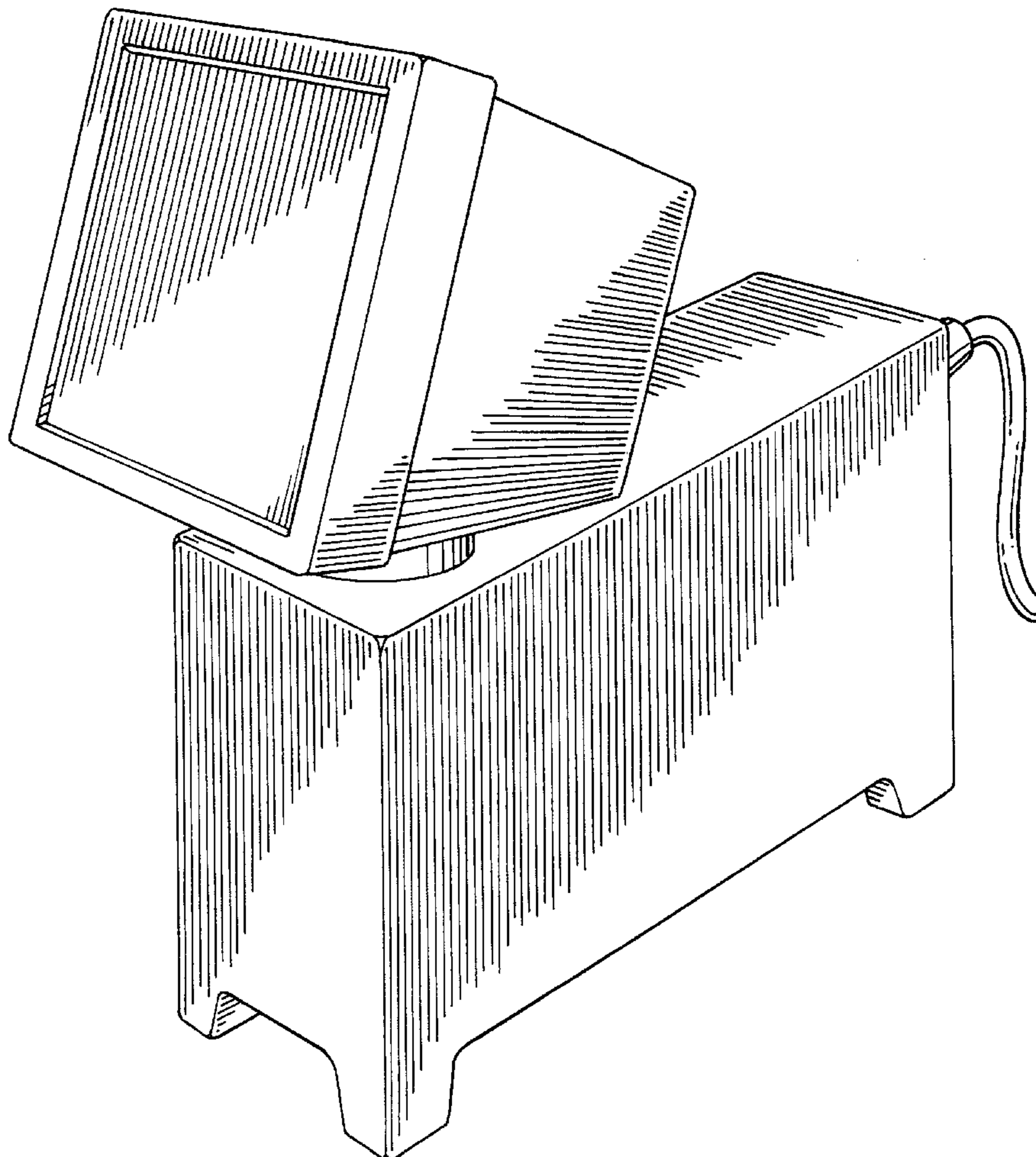
FIG. 9 is a front view.

FIG. 10 is a rear view.

FIG. 11 is a top view; and,

FIG. 12 is a bottom view thereof.

1 Claim, 8 Drawing Sheets



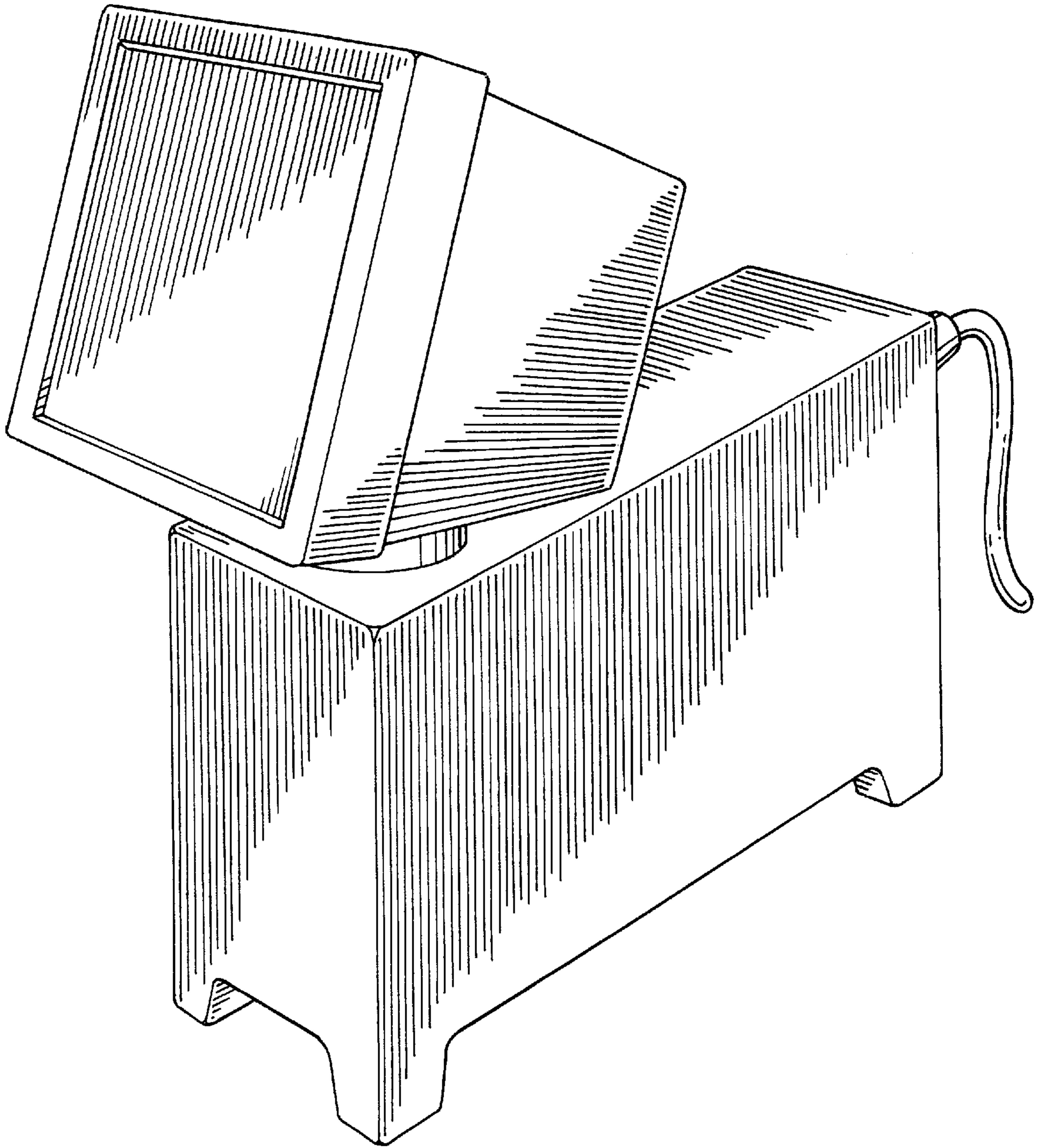


FIG. 1

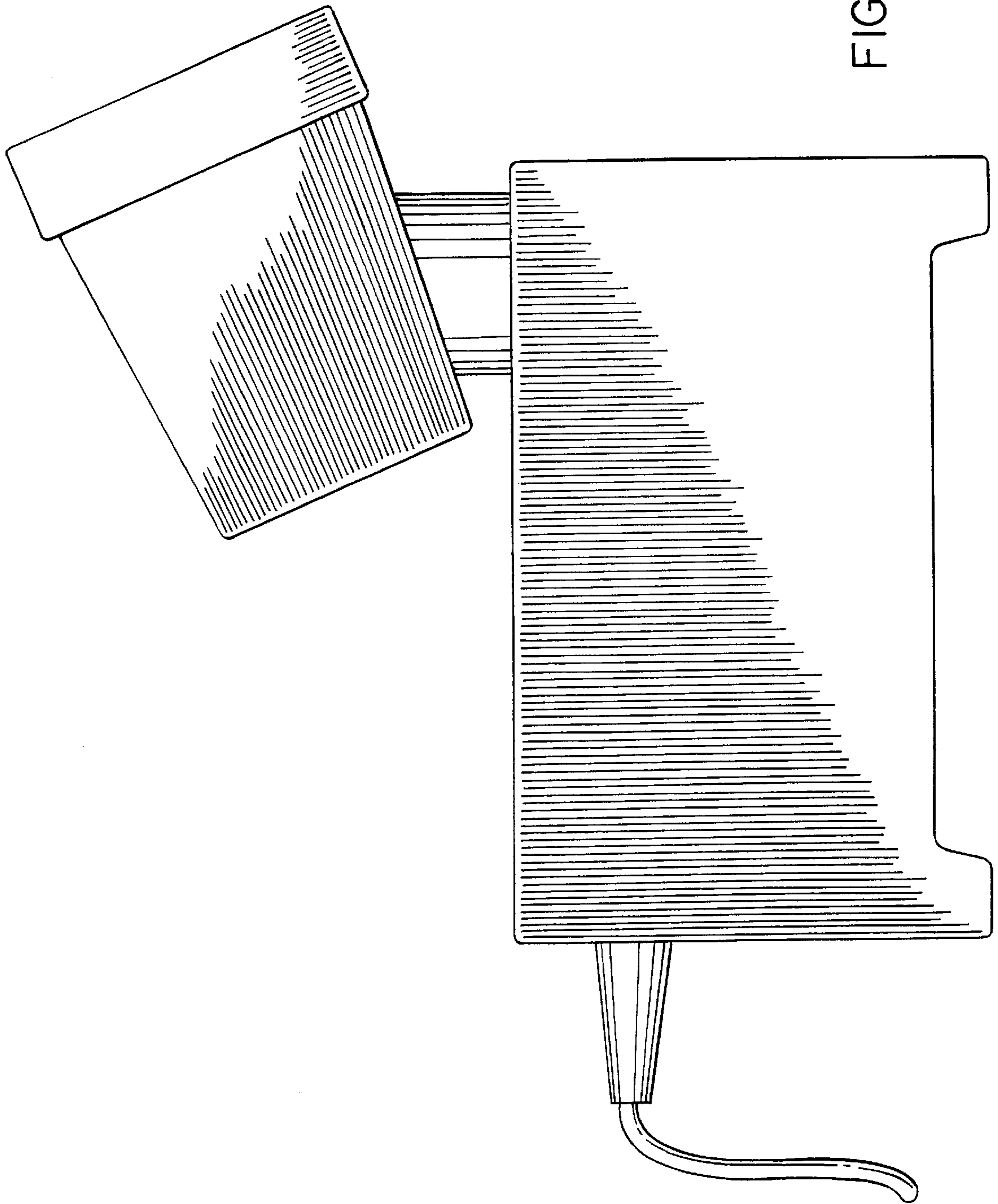


FIG. 2

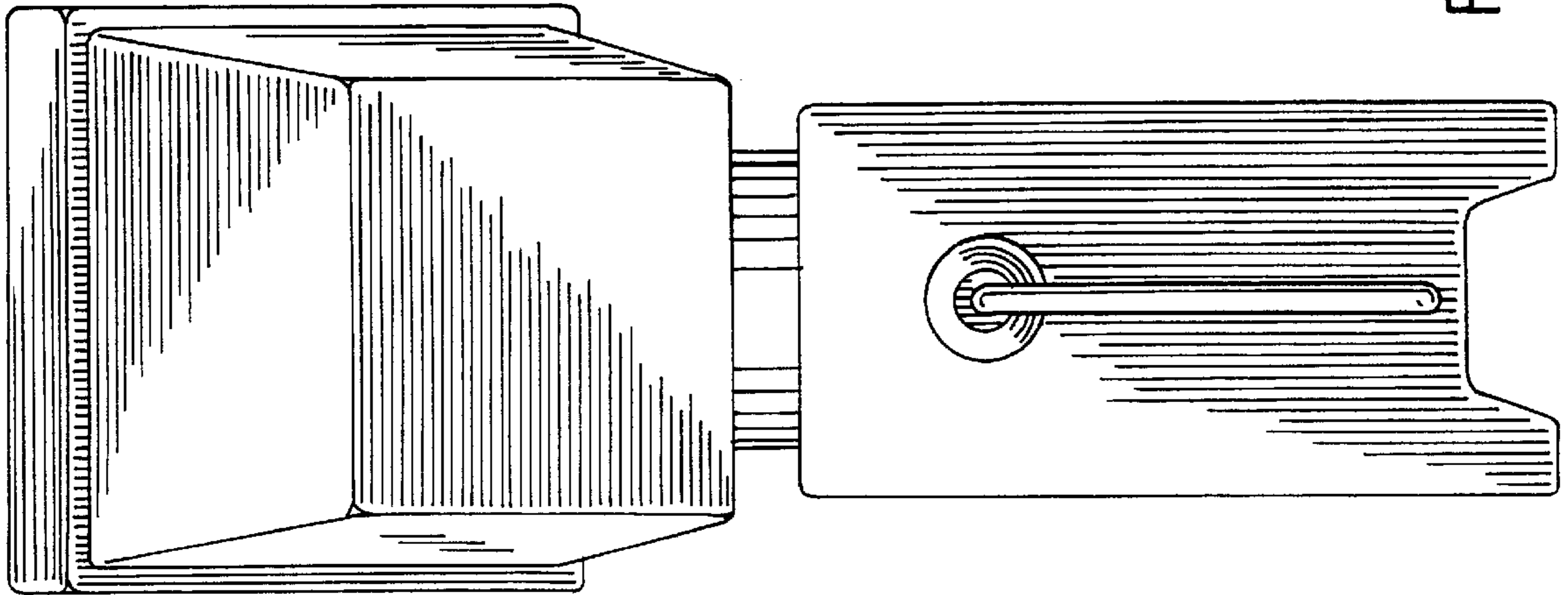


FIG. 4

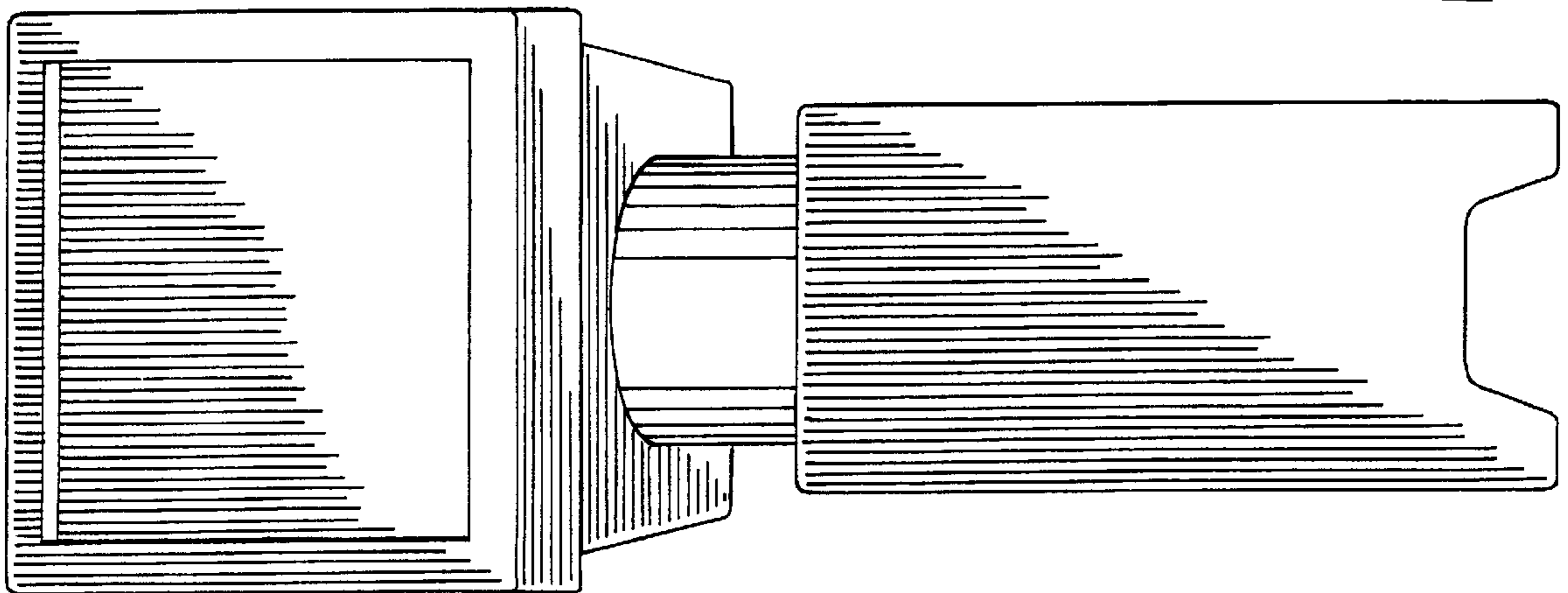


FIG. 3

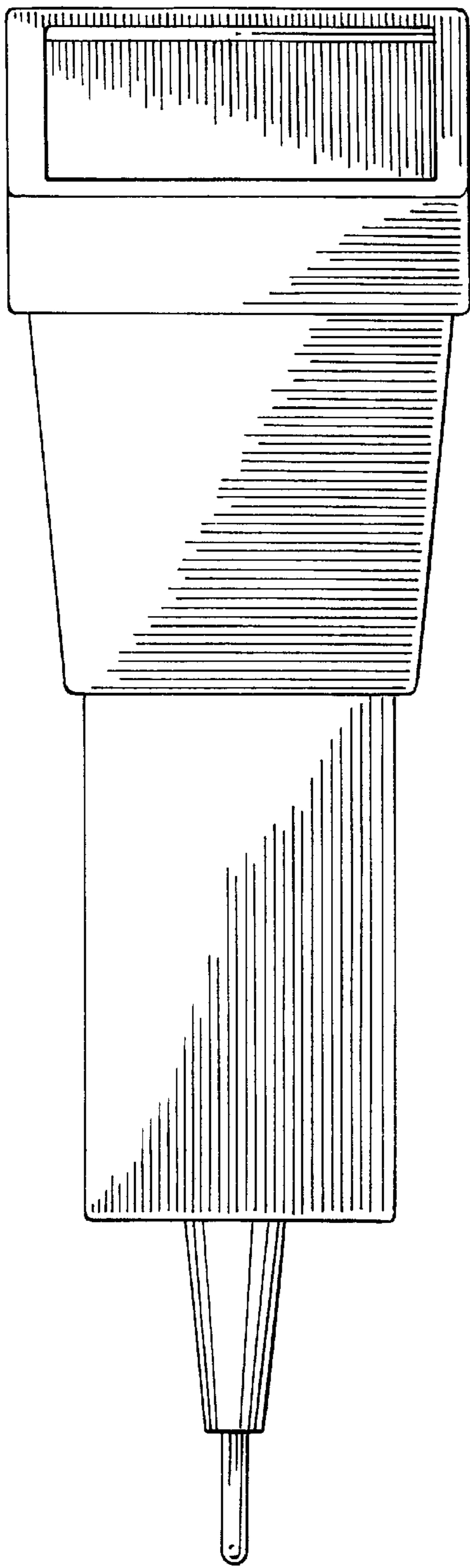


FIG. 5

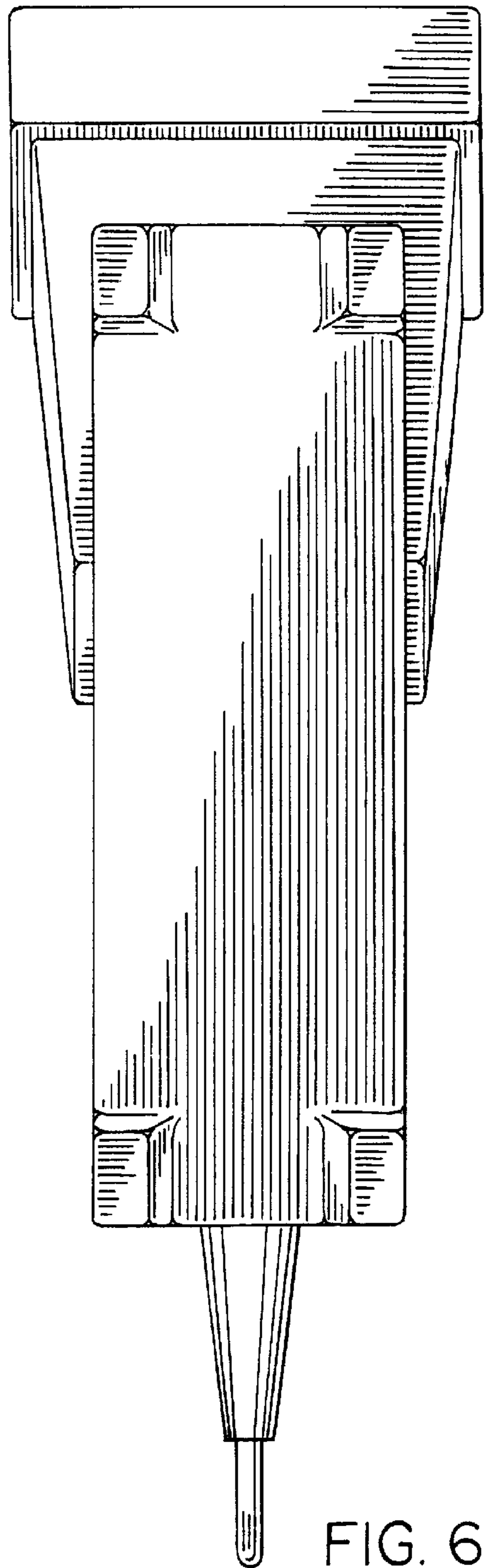


FIG. 6

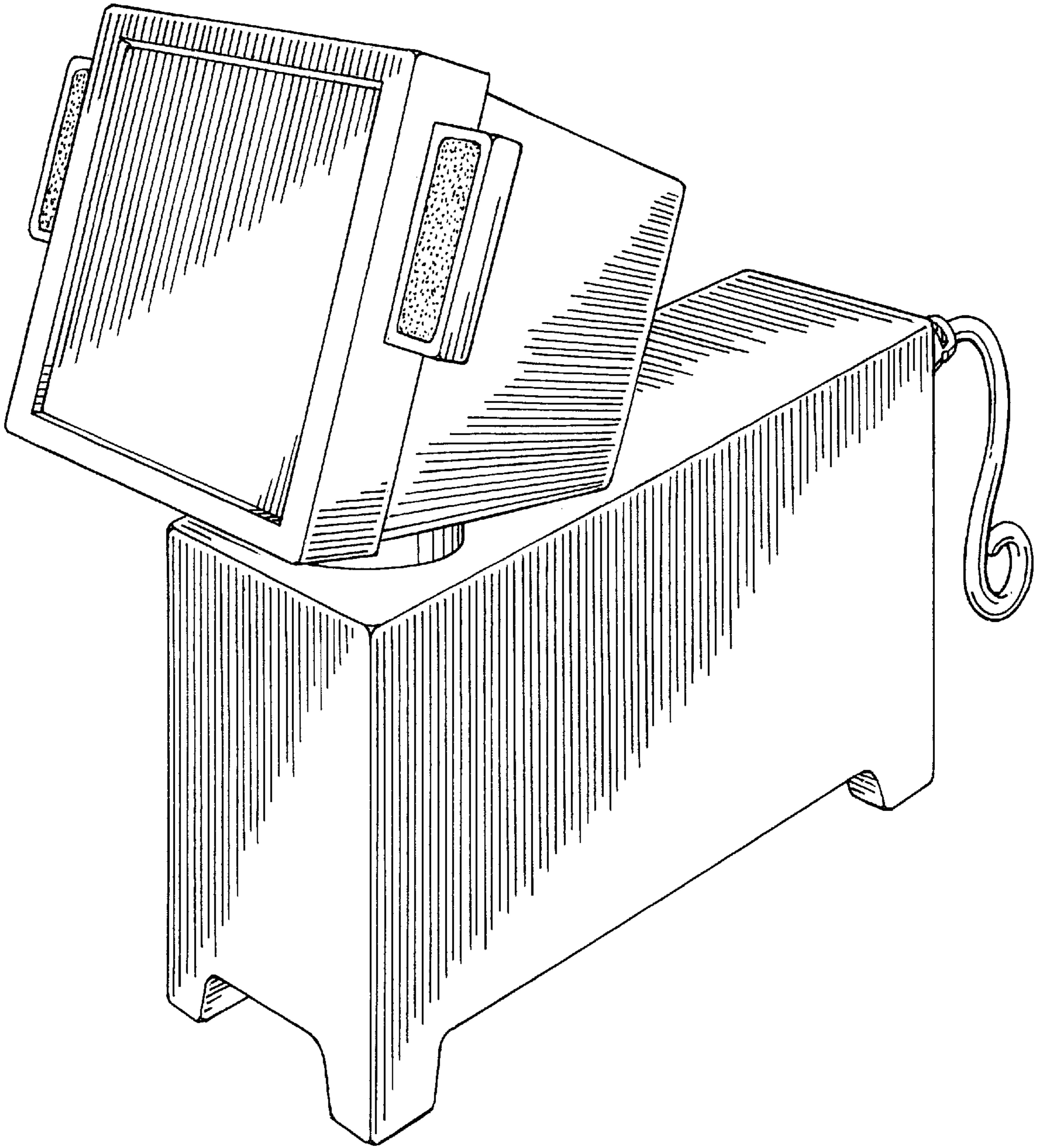


FIG. 7

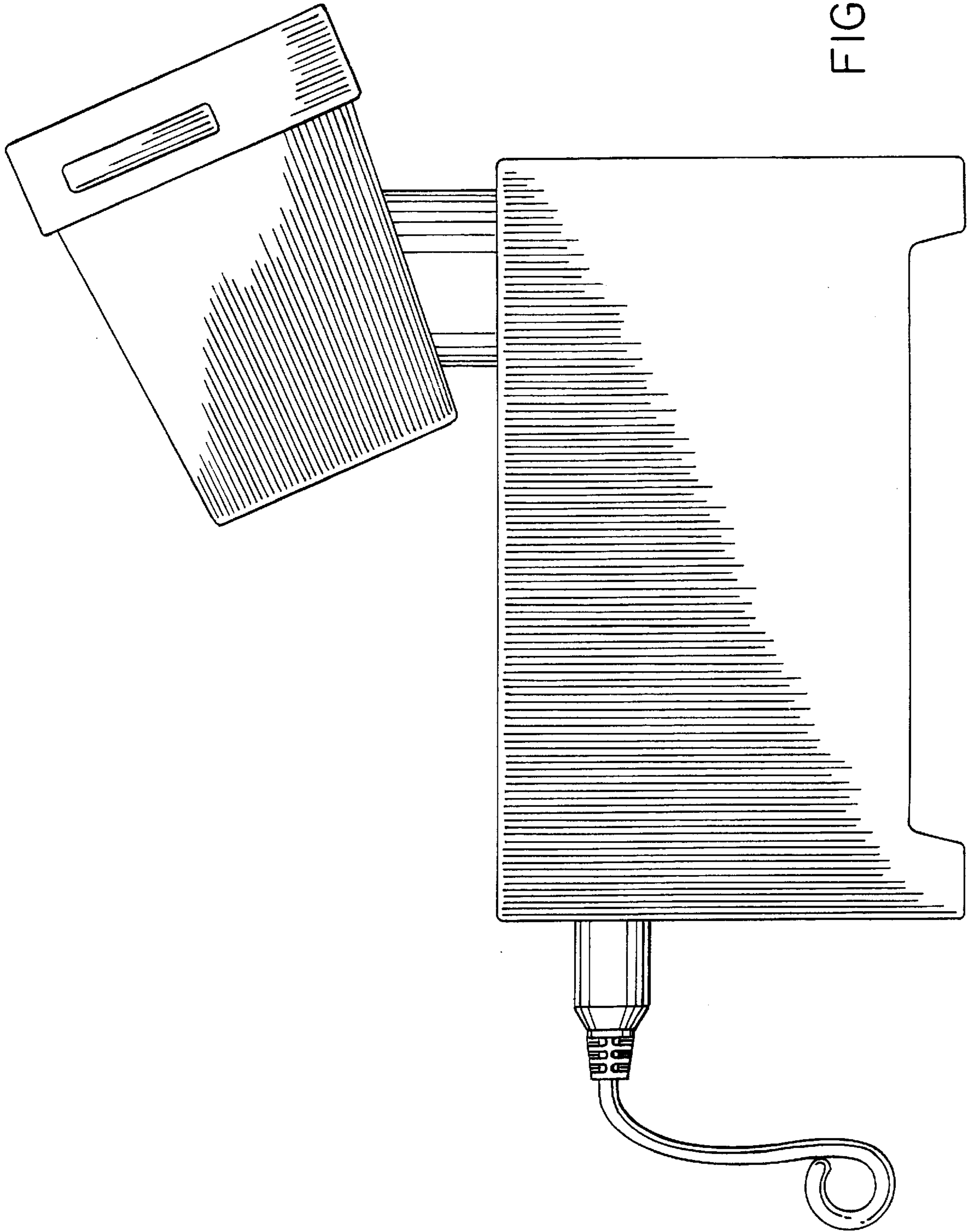


FIG. 8

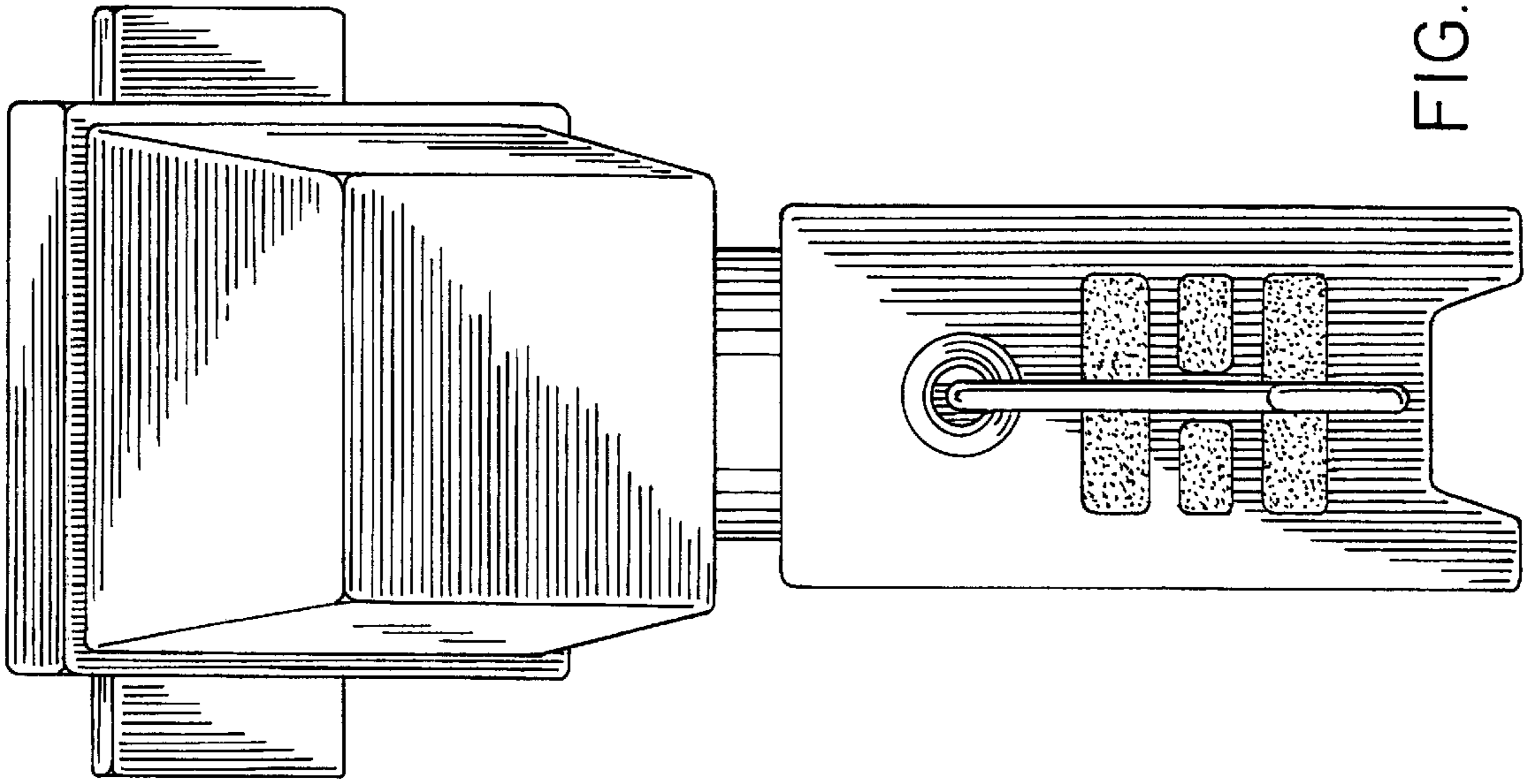


FIG. 10

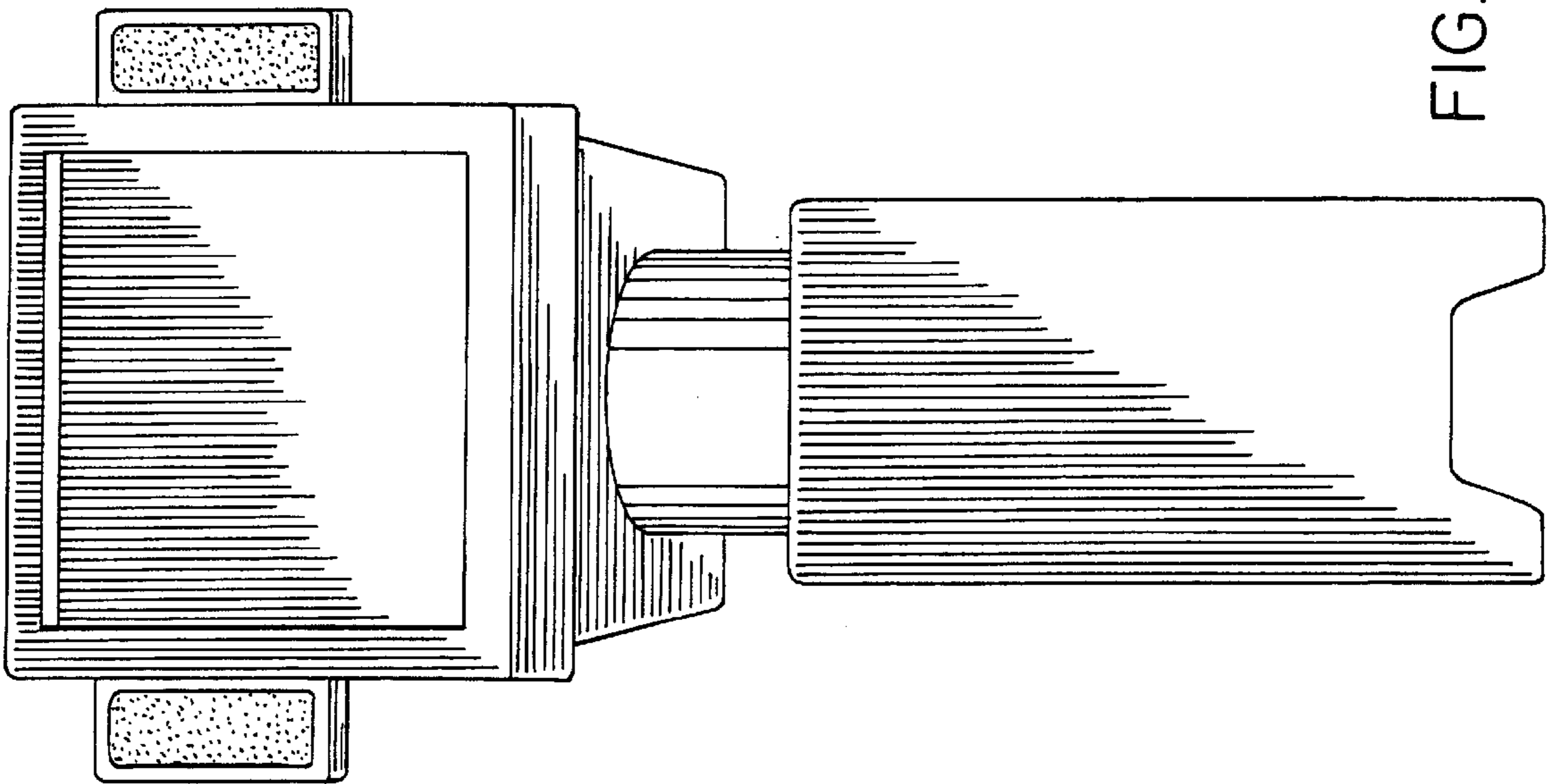


FIG. 9

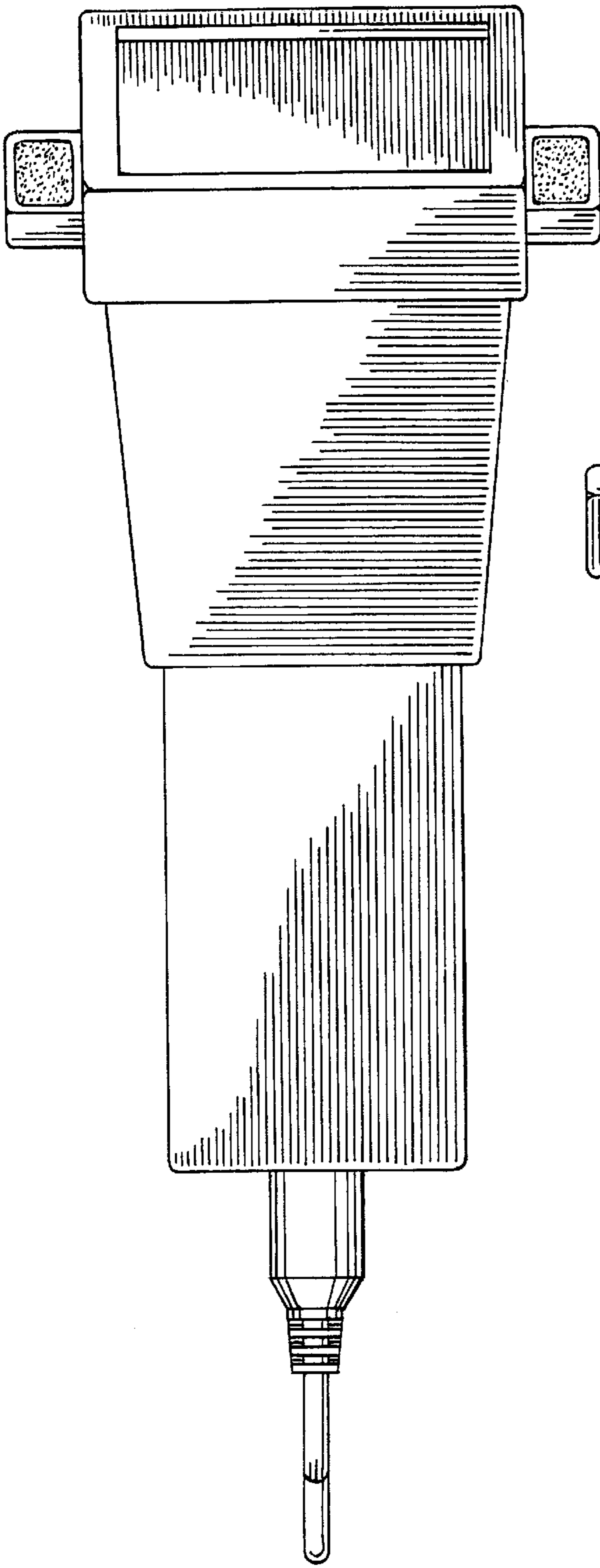


FIG. 11

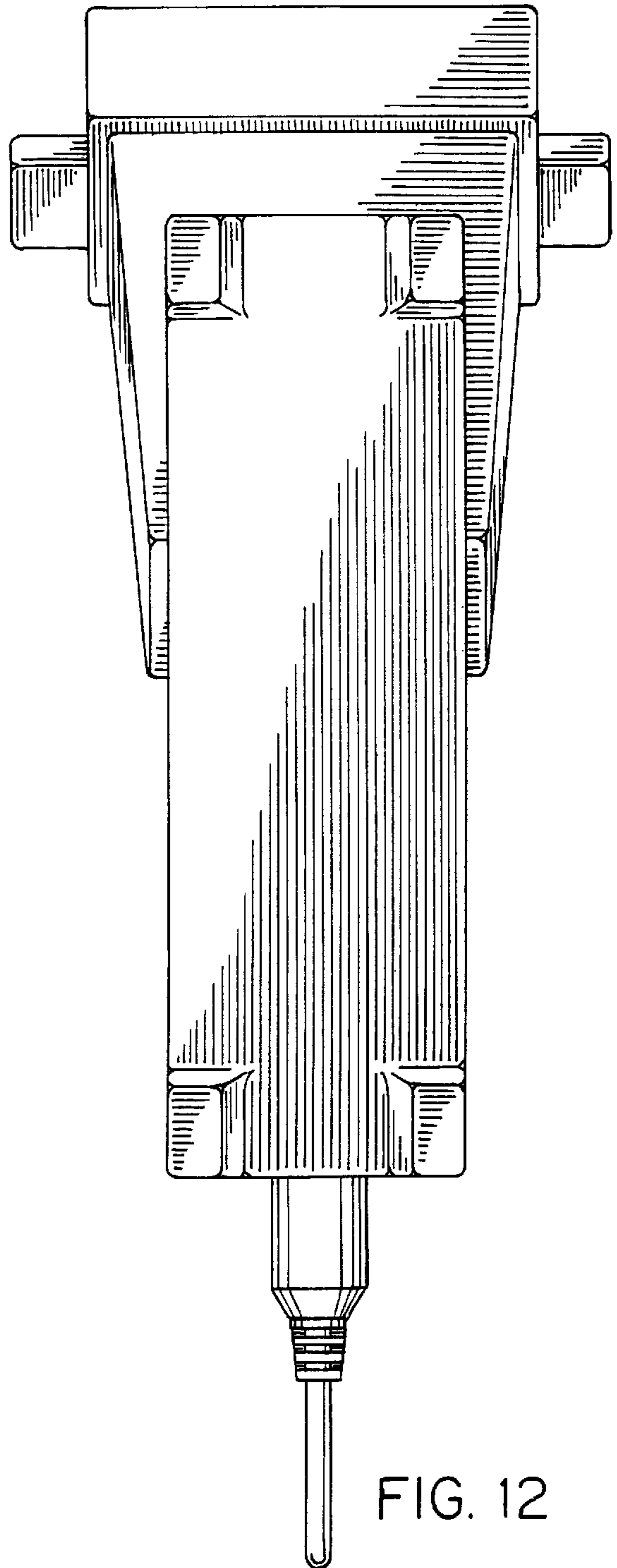


FIG. 12