



US00D421070S

# United States Patent [19]

Jang et al.

[11] Patent Number: **Des. 421,070**

[45] Date of Patent: **\*\* Feb. 22, 2000**

[54] **ELECTRONIC VIDEO GAME CONSOLE**

[75] Inventors: **Michael Jang; Mark Gruber; Ralph Perez**, all of San Jose, Calif.

[73] Assignee: **Atari Games Corporation**

[\*\*] Term: **14 Years**

[21] Appl. No.: **29/066,252**

[22] Filed: **Feb. 5, 1997**

[51] **LOC (7) Cl.** ..... **21-01**

[52] **U.S. Cl.** ..... **D21/325**

[58] **Field of Search** ..... D21/324-327,  
D21/333; 273/148 B, 355, 356, 357; 463/1,  
29-35, 46, 47, 51, 52

[56] **References Cited**

**U.S. PATENT DOCUMENTS**

- D. 358,616 5/1995 Chung-Po ..... D21/325
- D. 384,705 10/1997 Muraki et al. .... D21/326

- D. 392,688 3/1998 Isetani et al. .... D21/326
- D. 403,024 12/1998 Muraki et al. .... D21/326
- 4,960,117 10/1990 Moncrief et al. .... 273/148 B
- 5,299,810 4/1994 Pierce et al. .... 463/30
- 5,713,794 2/1998 Shimojima et al. .... 463/31
- 5,795,224 8/1998 Yoshida ..... 463/2

*Primary Examiner*—Prabhakar Deshmukh  
*Attorney, Agent, or Firm*—Rudnick & Wolfe

[57] **CLAIM**

The ornamental design for an electronic video game console, as shown and described.

**DESCRIPTION**

FIG. 1 is a perspective view of an electronic video game console showing our new design; FIG. 2 is a side elevational view thereof, with the opposite side being a mirror image thereof; FIG. 3 is front elevational view thereof; FIG. 4 is a top plan view thereof; and, FIG. 5 is a rear elevational view thereof.

**1 Claim, 3 Drawing Sheets**

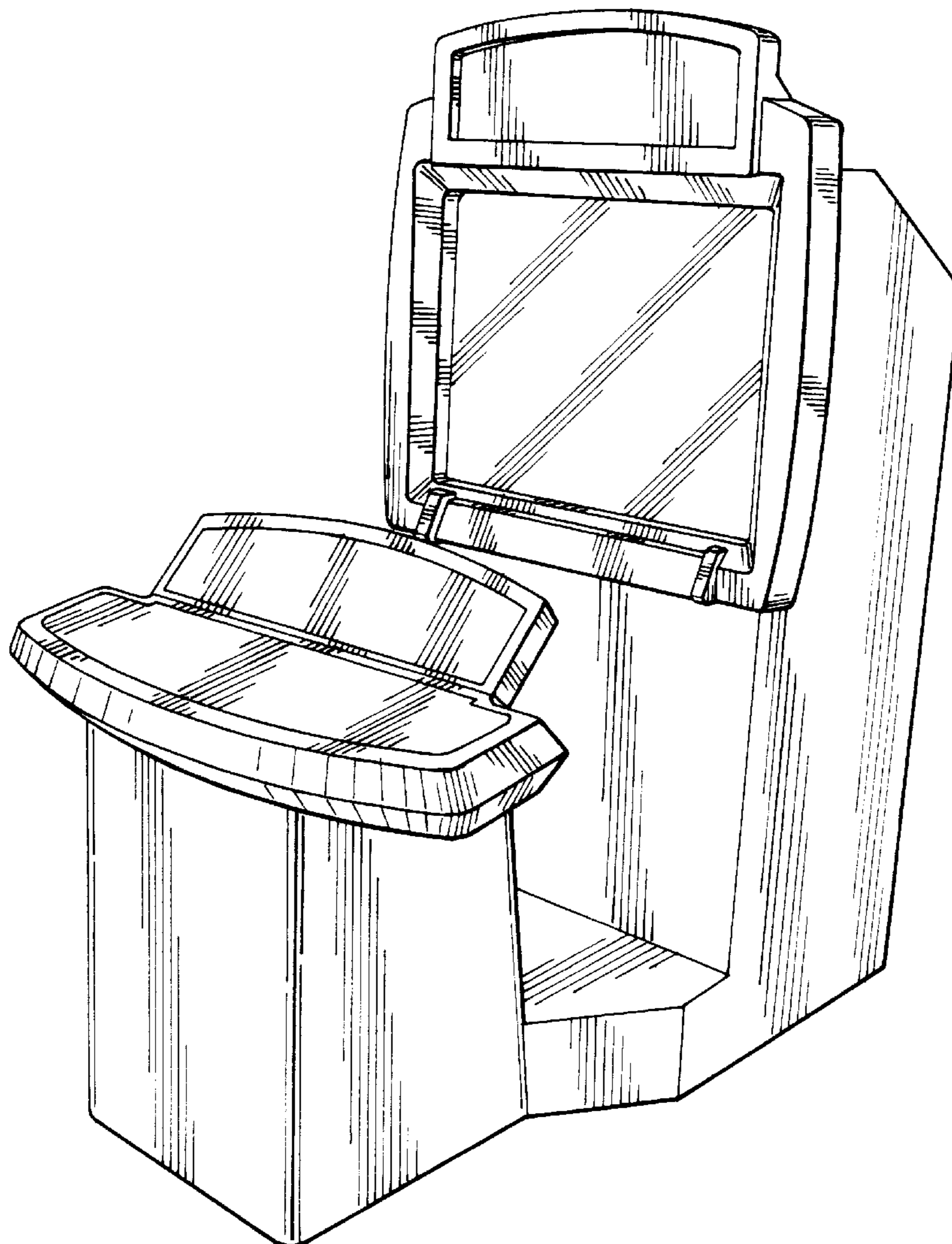
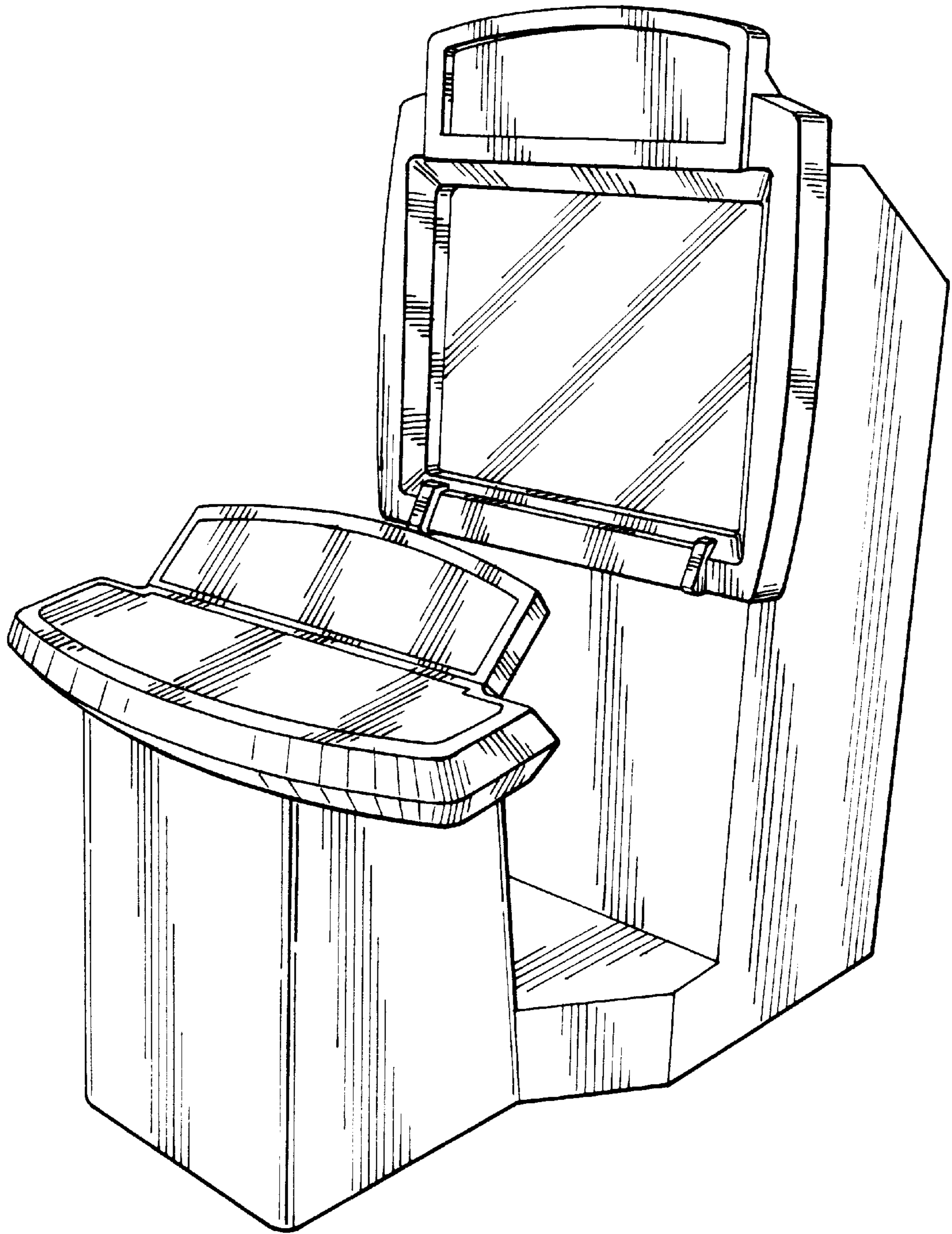


FIG. 1



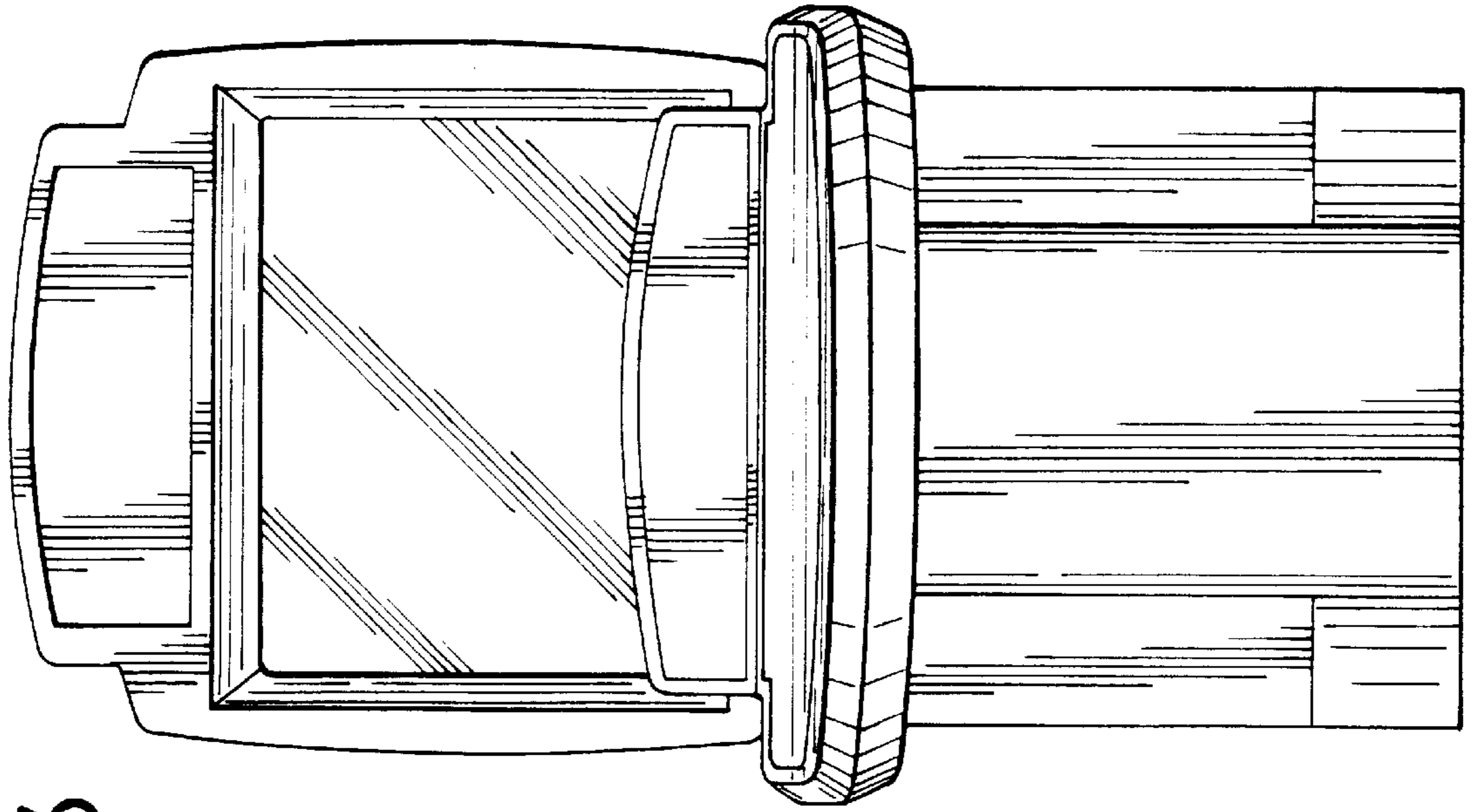


FIG.3

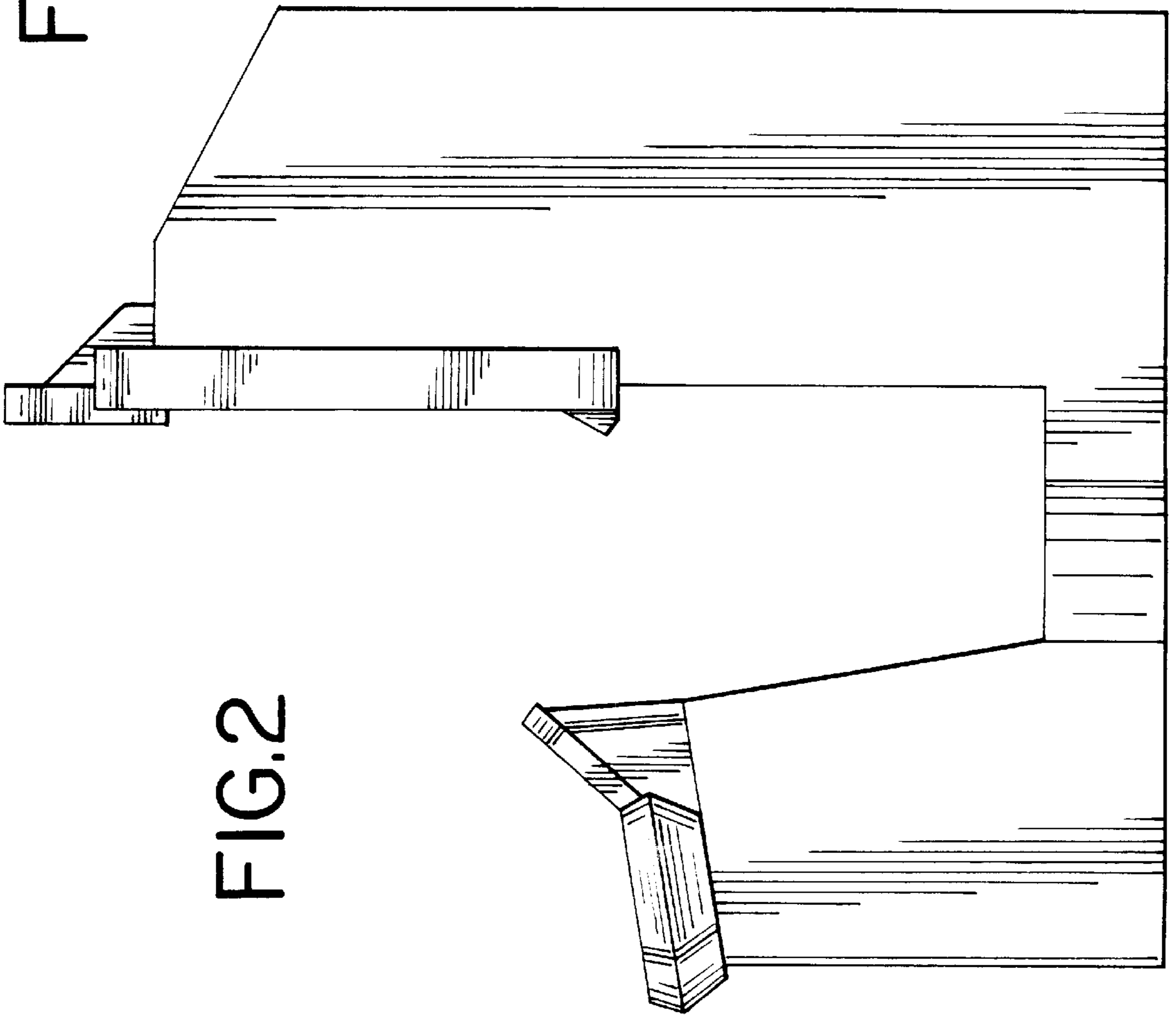


FIG.2

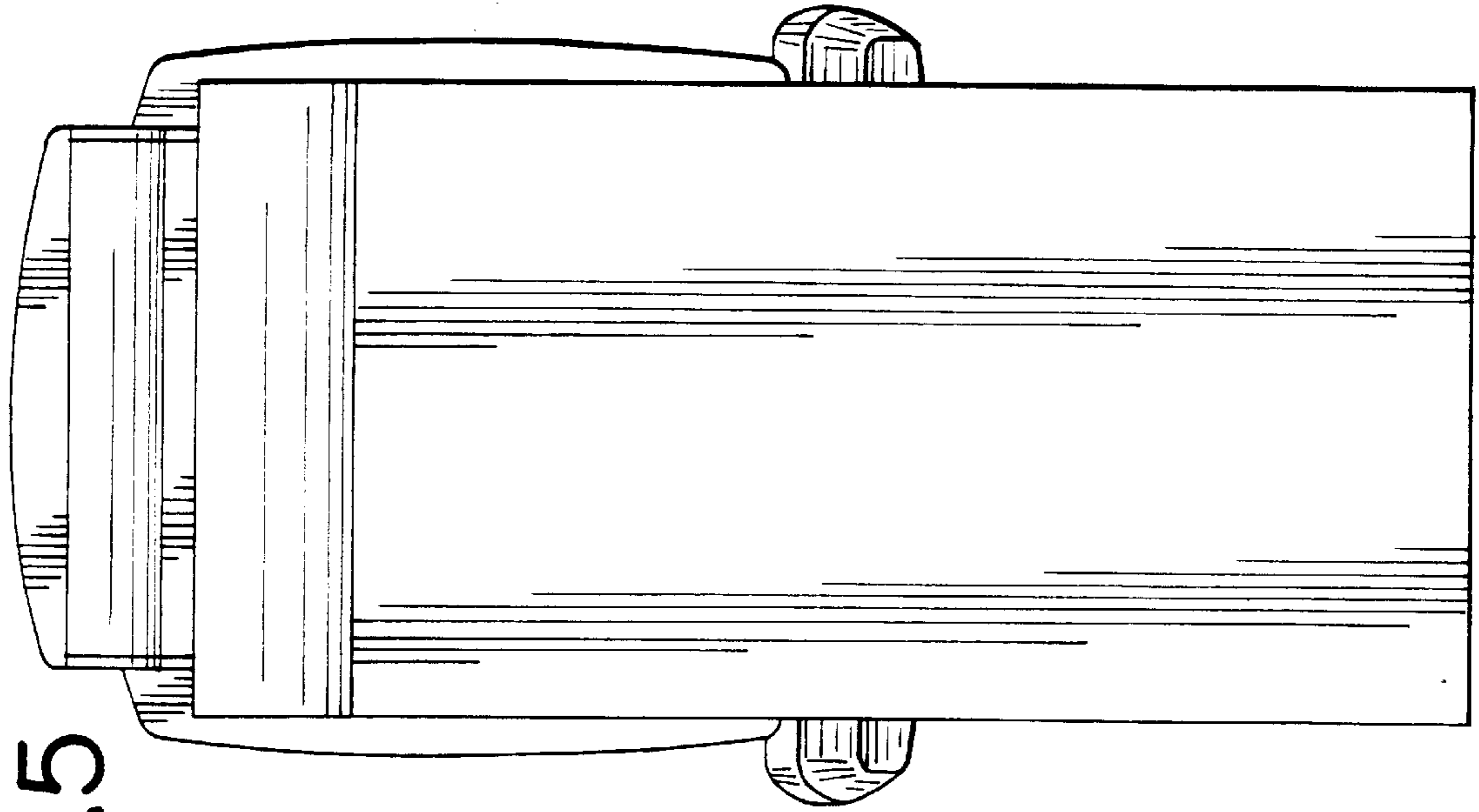


FIG.5

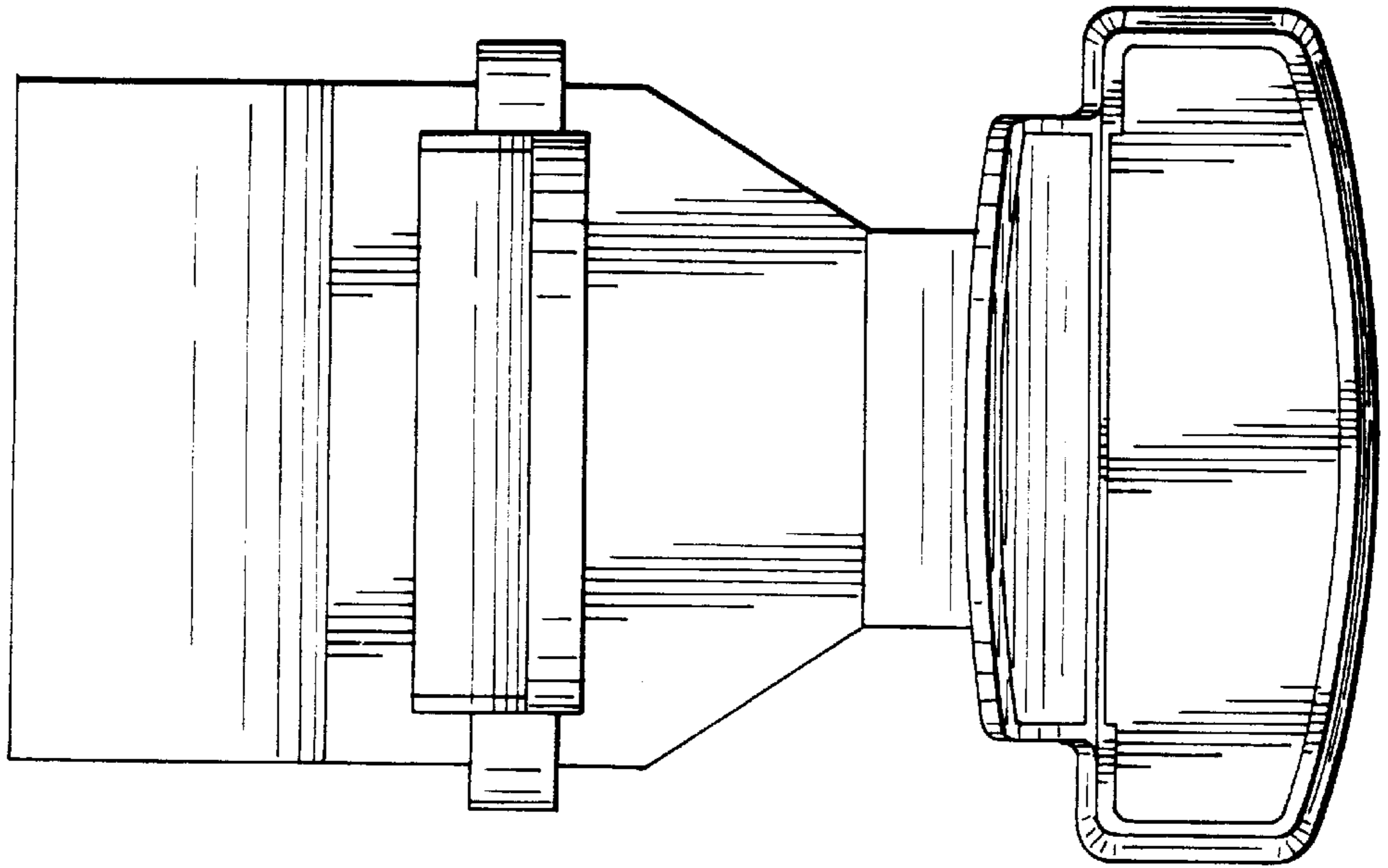


FIG.4