



US00D421068S

# United States Patent [19] Yamaguchi

[11] Patent Number: **Des. 421,068**

[45] Date of Patent: **\*\* Feb. 22, 2000**

[54] RACING GAME MACHINE

[75] Inventor: **Takashi Yamaguchi**, Zama, Japan

[73] Assignee: **Konami Co., Ltd.**, Hyogo-ken, Japan

[\*\*] Term: **14 Years**

[21] Appl. No.: **29/062,547**

[22] Filed: **Nov. 18, 1996**

[30] **Foreign Application Priority Data**

May 27, 1996 [JP] Japan ..... 8-15487D

[51] LOC (7) Cl. .... **21-01**

[52] U.S. Cl. .... **D21/11**

[58] Field of Search ..... D21/11, 13, 1,  
D21/7, 124, 240; 463/64-68, 58, 59, 46;  
273/108.1

[56] **References Cited**

**U.S. PATENT DOCUMENTS**

D. 344,104	2/1994	Yen	.....	D21/11
539,807	5/1895	Goodwin	.....	463/65
790,895	5/1905	Henrichsen	.....	D21/11 X
1,277,272	8/1918	Tanabe	.....	463/67
4,614,342	9/1986	Takashima	.....	463/42 X
4,813,675	3/1989	Greenwood	.....	463/46

5,114,157	5/1992	Kita	.....	463/46 X
5,320,351	6/1994	Suzuki	.....	463/46 X
5,382,021	1/1995	Tatesaka et al.	.....	463/66 X

**OTHER PUBLICATIONS**

Vending Times, Jun. 1979, p. 69.

*Primary Examiner*—Prabhakar G. Deshmuki  
*Attorney, Agent, or Firm*—Jordan and Hamburg

[57] **CLAIM**

The ornamental design for a racing game machine, as shown and described.

**DESCRIPTION**

FIG. 1 is a front view of a racing game machine;  
 FIG. 2 is a rear view of the racing game machine;  
 FIG. 3 is a left side view of the racing game machine;  
 FIG. 4 is a right side view of the racing game machine;  
 FIG. 5 is a top view of the racing game machine;  
 FIG. 6 is a bottom view of the racing game machine;  
 FIG. 7 is a perspective view of the racing game machine;  
 and,  
 FIG. 8 is a perspective view showing a use of the racing game machine.

The broken line showing of operating apparatuses is for illustrative purpose only and forms no part of the claim.

**1 Claim, 6 Drawing Sheets**

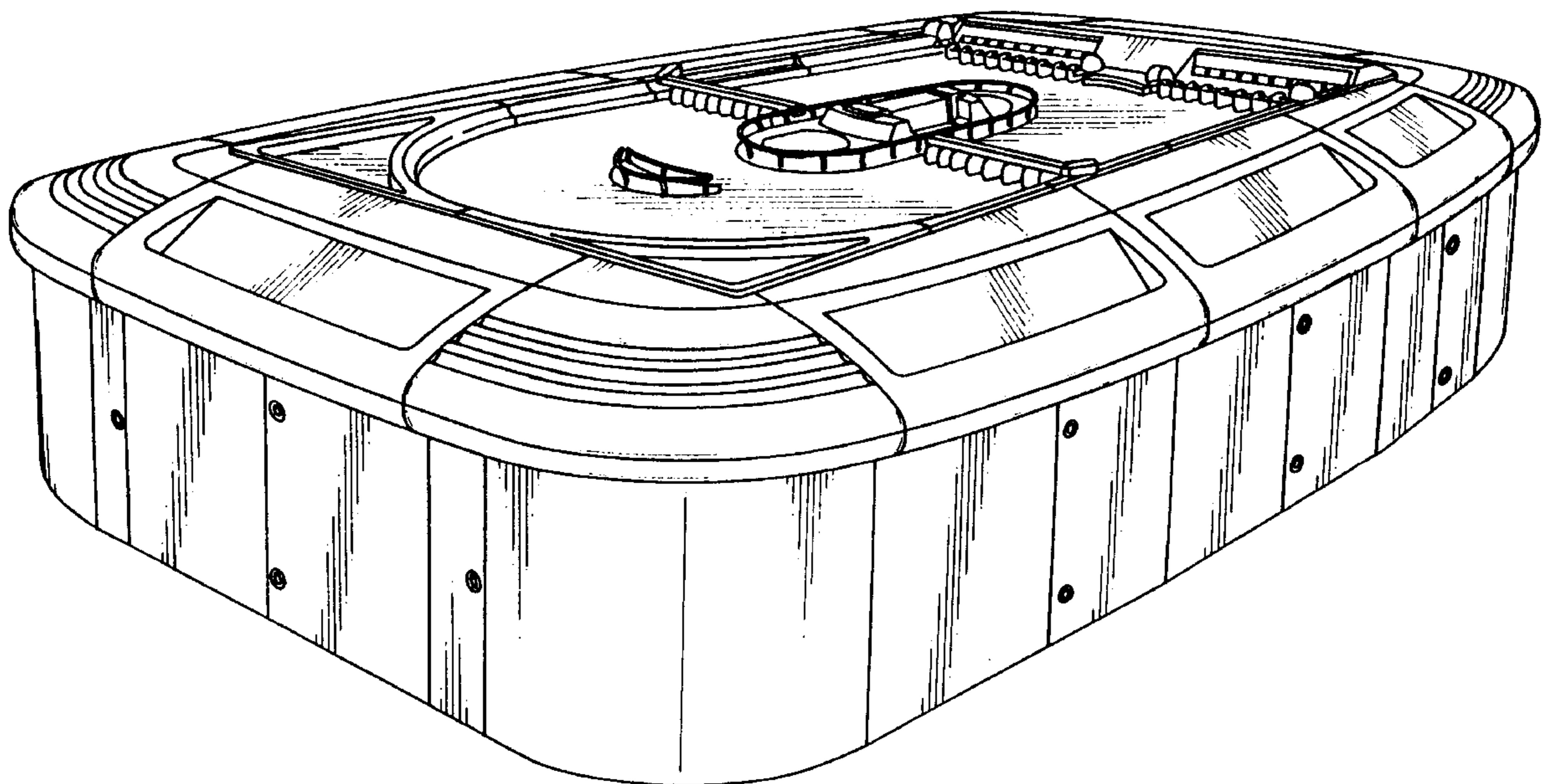


FIG. 1

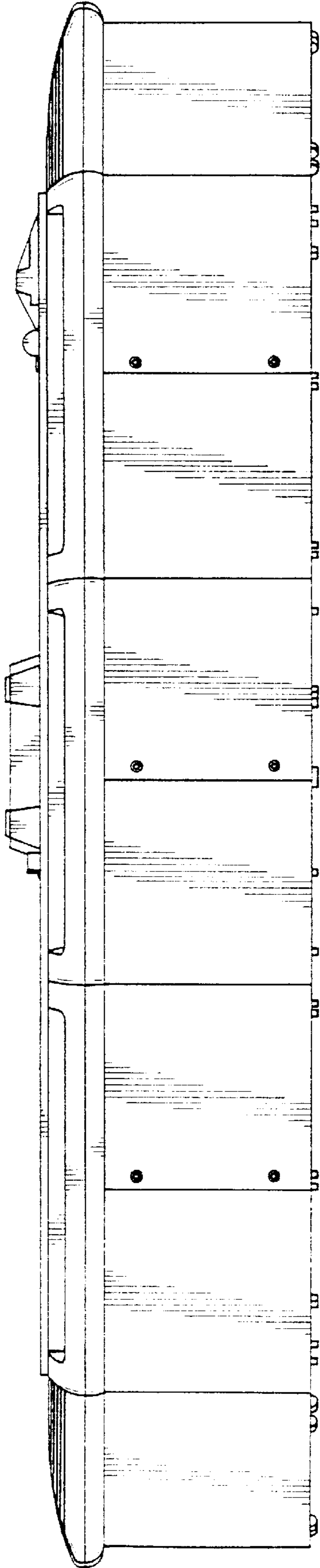


FIG. 2

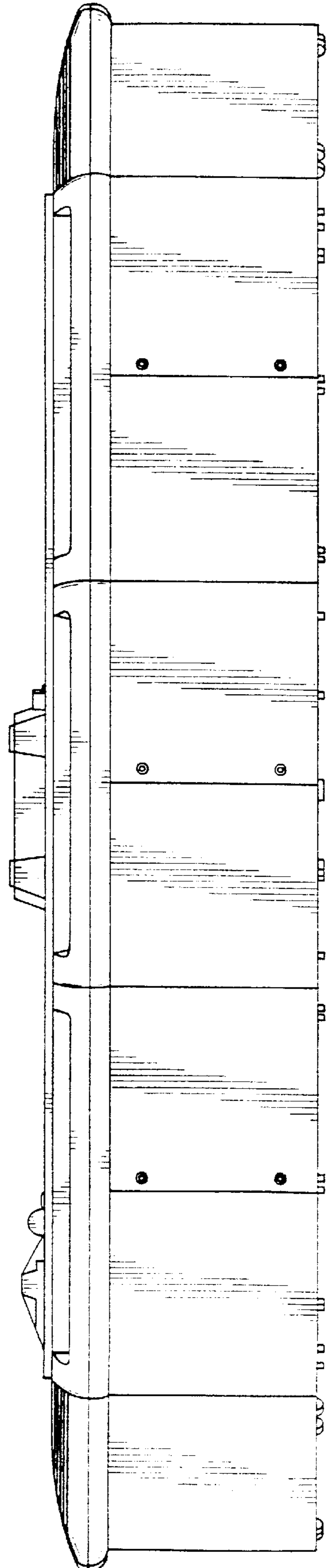


FIG. 3

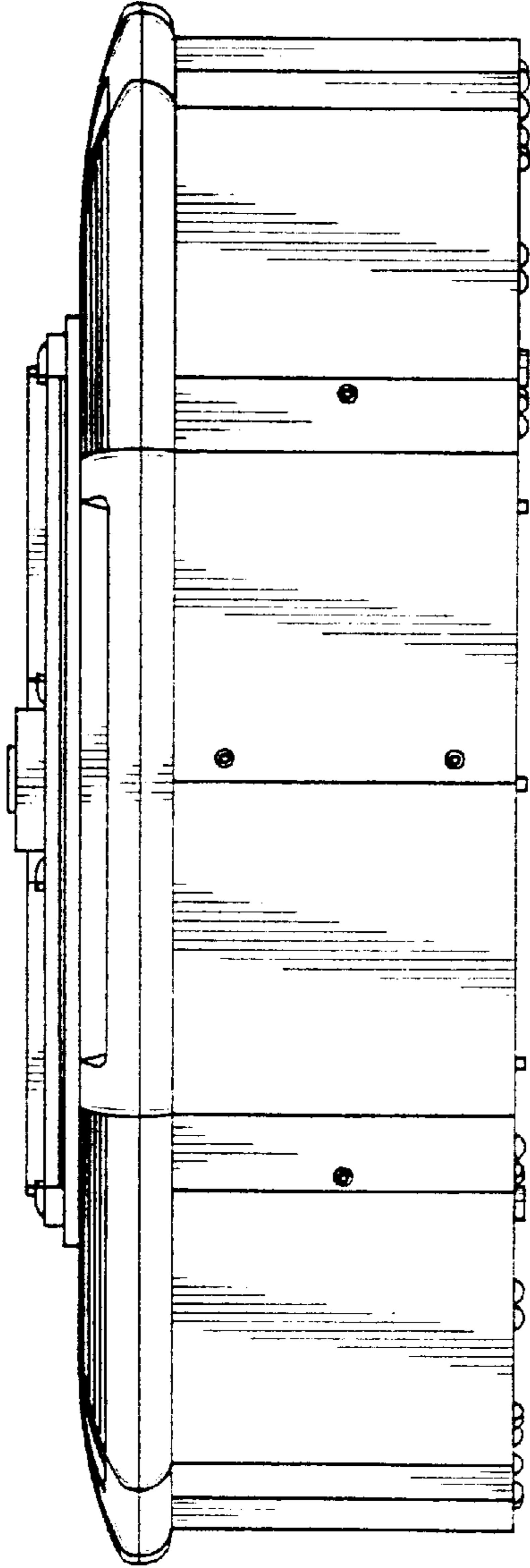


FIG. 4

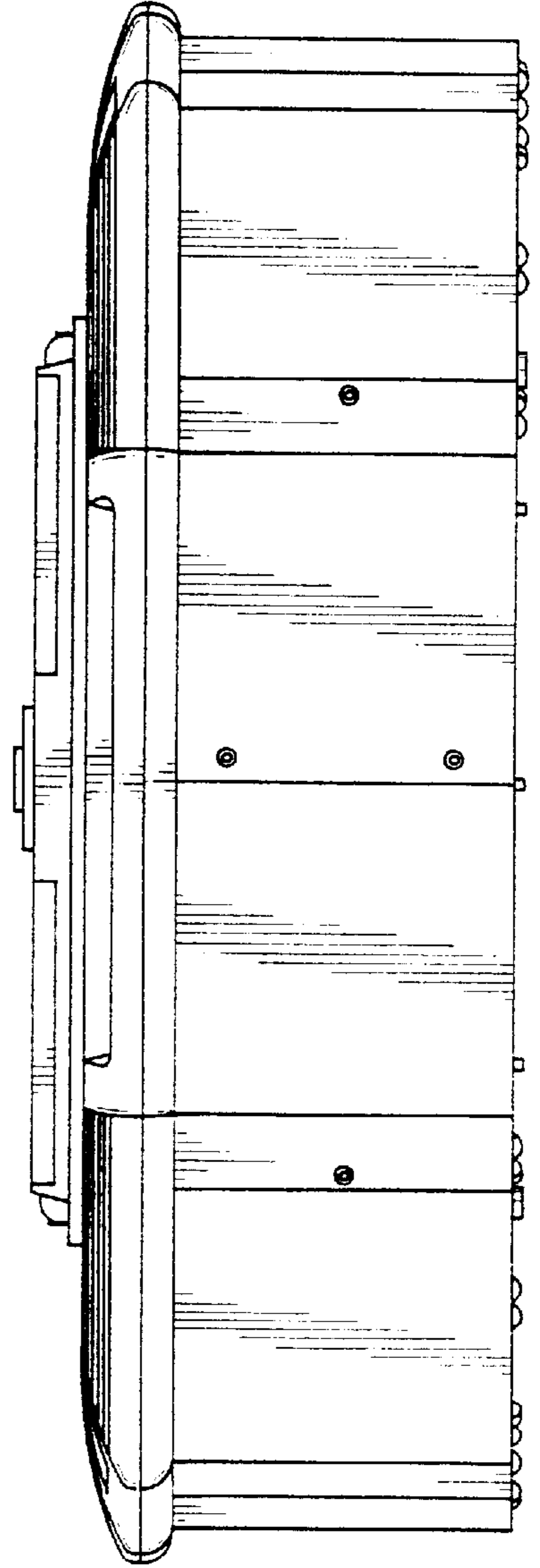


FIG. 5

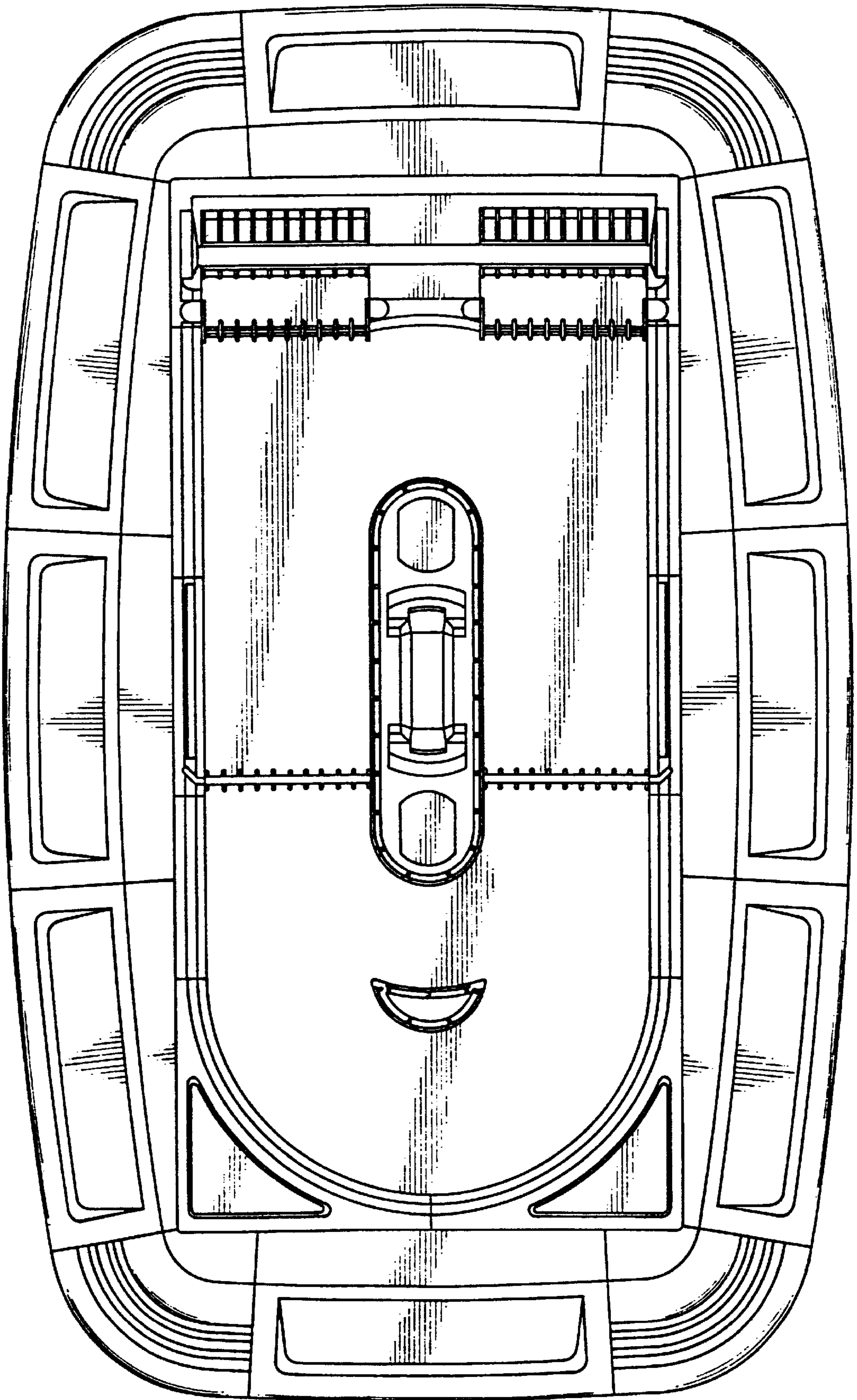


FIG. 6

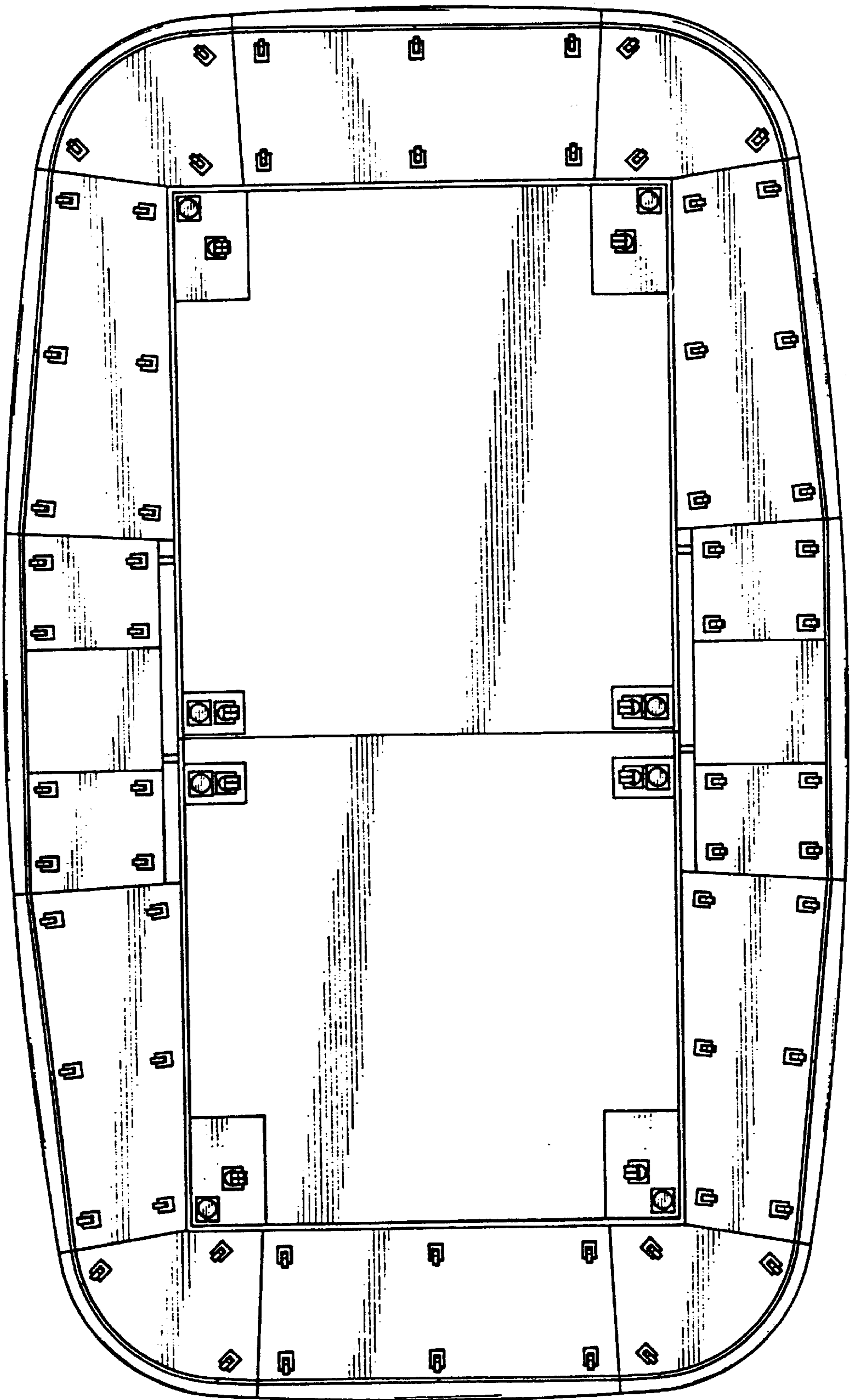


FIG. 7

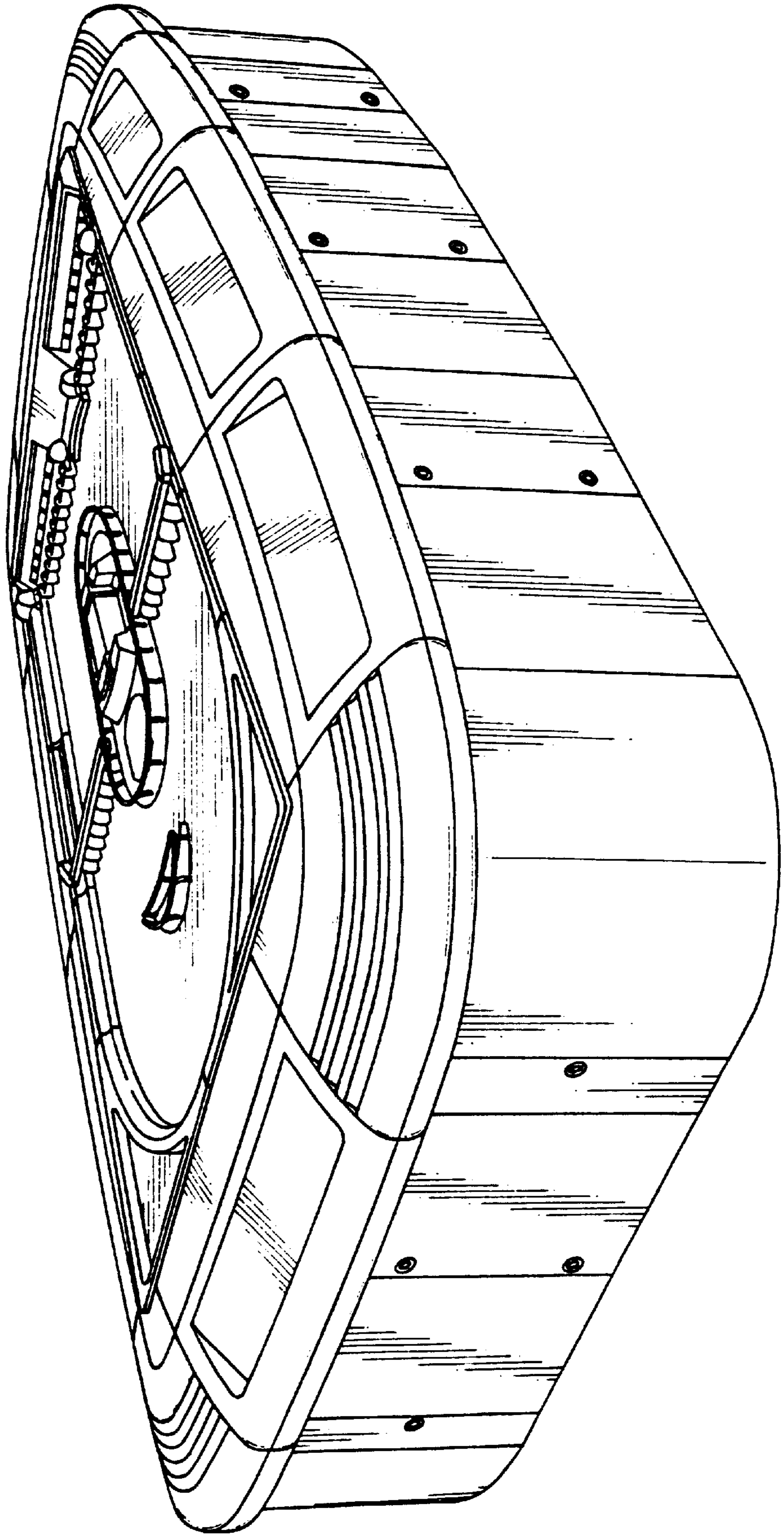


FIG. 8

