



US00D421067S

United States Patent [19]

Weiller

[11] Patent Number: **Des. 421,067**

[45] Date of Patent: **** Feb. 22, 2000**

[54] **BRACKET UNIT FOR PRICE DISPLAY**

[75] Inventor: **Peter J. Weiller**, Armonk, N.Y.

[73] Assignee: **Thomson-Leeds Company, Inc.**, New York, N.Y.

[**] Term: **14 Years**

[21] Appl. No.: **29/096,530**

[22] Filed: **Nov. 13, 1998**

[51] **LOC (7) Cl.** **08-05**

[52] **U.S. Cl.** **D20/43**

[58] **Field of Search** D8/349, 354, 373;
248/27.1, 300, 200, 216.1, 216.5; D20/43;
40/1, 642.02, 643, 649, 617, 620

[56] **References Cited**

U.S. PATENT DOCUMENTS

- D. 234,472 3/1975 Fosher et al. D20/43
- D. 304,086 10/1989 Eads D8/1
- D. 348,287 6/1994 Odmark D20/43

Primary Examiner—Holly Baynham
Attorney, Agent, or Firm—Kenyon & Kenyon

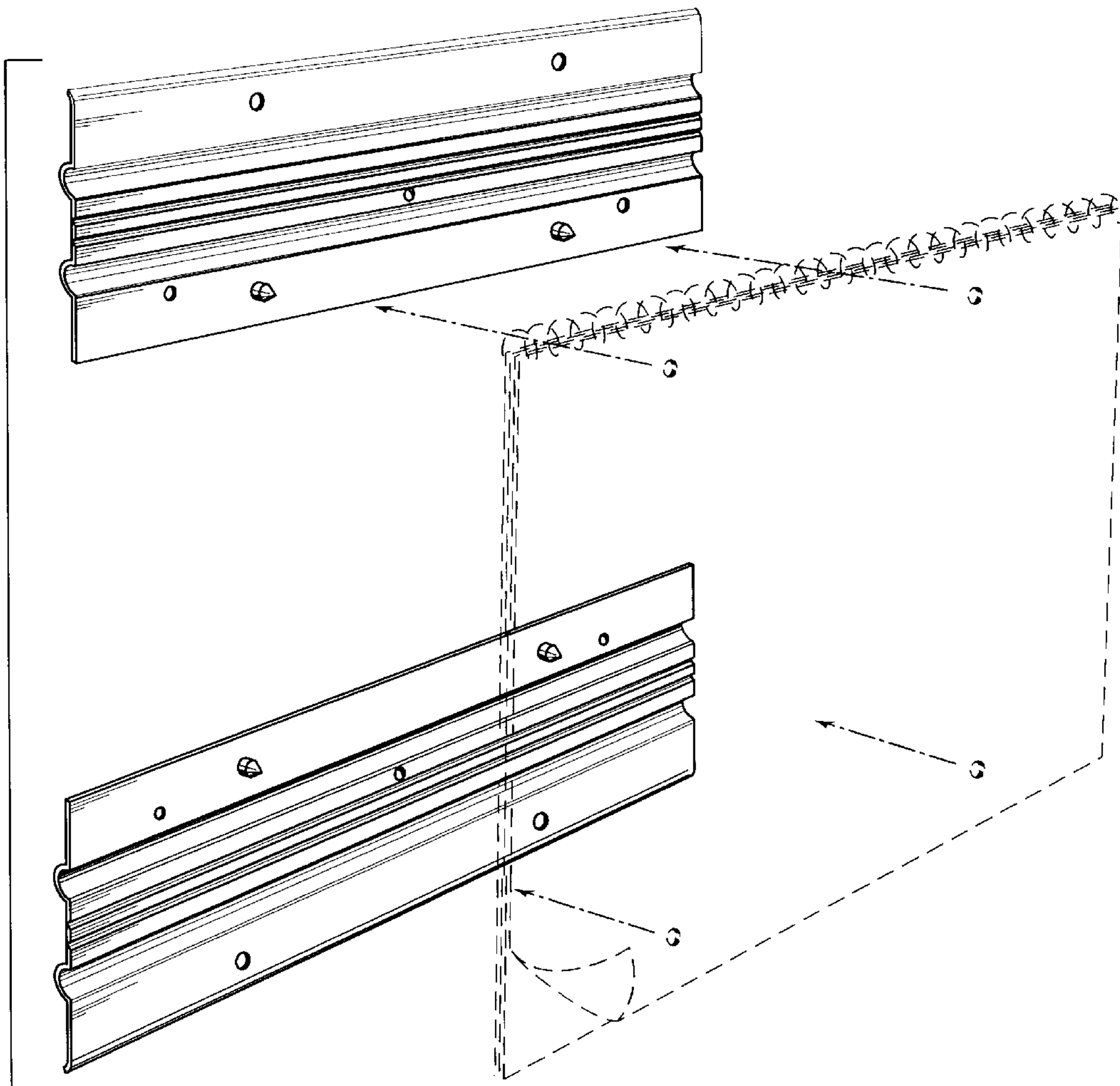
[57] **CLAIM**

The ornamental design for a bracket unit for price display, as shown and described.

DESCRIPTION

FIG. 1 is a front perspective view of the bracket unit for price display showing my new design in an opened position; FIG. 2 is a top plan view of one of the brackets of the new design; FIG. 3 is a front elevational view thereof; FIG. 4 is a side elevational view thereof, the opposite side being a mirror image; and, FIG. 5 is a perspective view thereof, in a closed position. The bracket is shown detached from the unit in FIGS. 2–4 for ease and clarity of illustration. The broken line showing of a price display sign is for illustrative purposes only and forms no part of the claimed design.

1 Claim, 3 Drawing Sheets



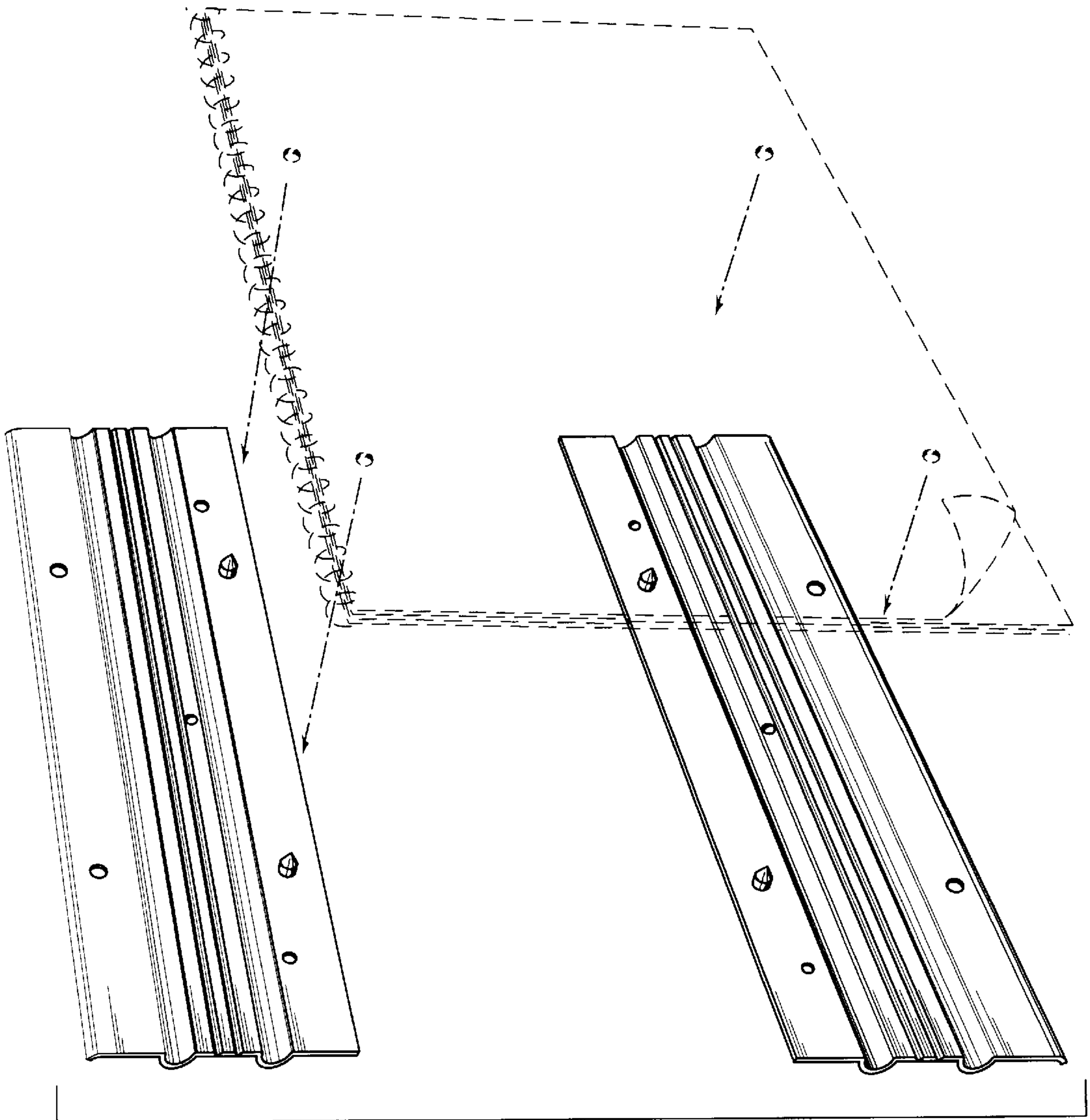


FIG. 1

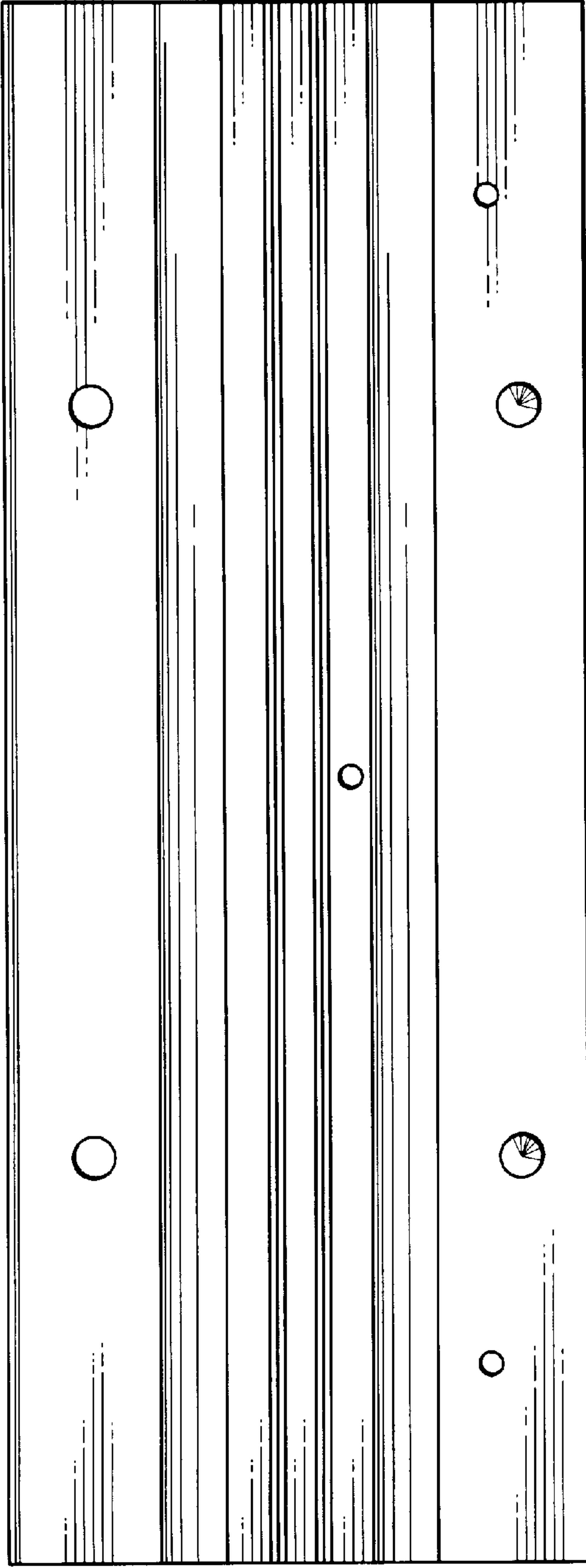


FIG. 2

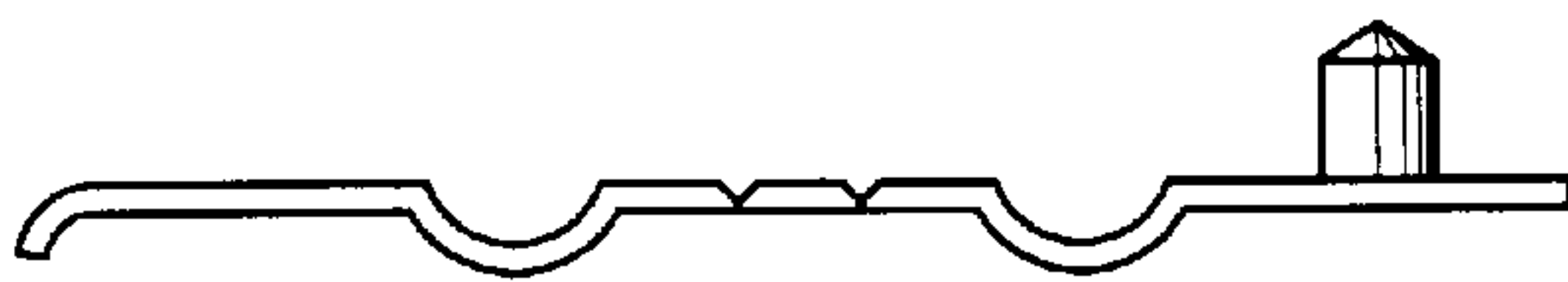


FIG. 4



FIG. 3

FIG. 5

