



US00D421065S

United States Patent [19]

Motoharu

[11] Patent Number: Des. 421,065

[45] Date of Patent: ** Feb. 22, 2000

[54] COIN HOPPER

[75] Inventor: Kurosawa Motoharu, Iwatsuki, Japan

[73] Assignee: Asahi Seiko Co., Ltd., Japan

[**] Term: 14 Years

[21] Appl. No.: 29/094,662

[22] Filed: Oct. 7, 1998

[51] LOC (7) Cl. 20-01

[52] U.S. Cl. D20/9

[58] Field of Search D3/304, 308; D20/8, D20/9; 194/344, 346, 350, 236

[56] **References Cited**

U.S. PATENT DOCUMENTS

D. 283,518	4/1986	Gardellini	D20/8
D. 358,613	5/1995	Kovens et al.	D20/8
D. 378,602	3/1997	Schwarzli	D20/8

FOREIGN PATENT DOCUMENTS

9709203 2/1997 Germany .

Primary Examiner—Nanda Bondade
Attorney, Agent, or Firm—Philip J. Anderson; Quirk & Tratos

[57] **CLAIM**

The ornamental design for a coin hopper, as shown and described.

DESCRIPTION

FIG. 1 is a top view of the coin hopper of the present invention;
 FIG. 2 is a bottom view;
 FIG. 3 is a right side view;
 FIG. 4 is a left side view;
 FIG. 5 is a rear view;
 FIG. 6 is a front view;
 FIG. 7 is a top-front-left side perspective view;
 FIG. 8 is a top-rear left side perspective view;
 FIG. 9 is a top-front-right side perspective view; and,
 FIG. 10 is a top-rear-right side perspective view.

1 Claim, 5 Drawing Sheets

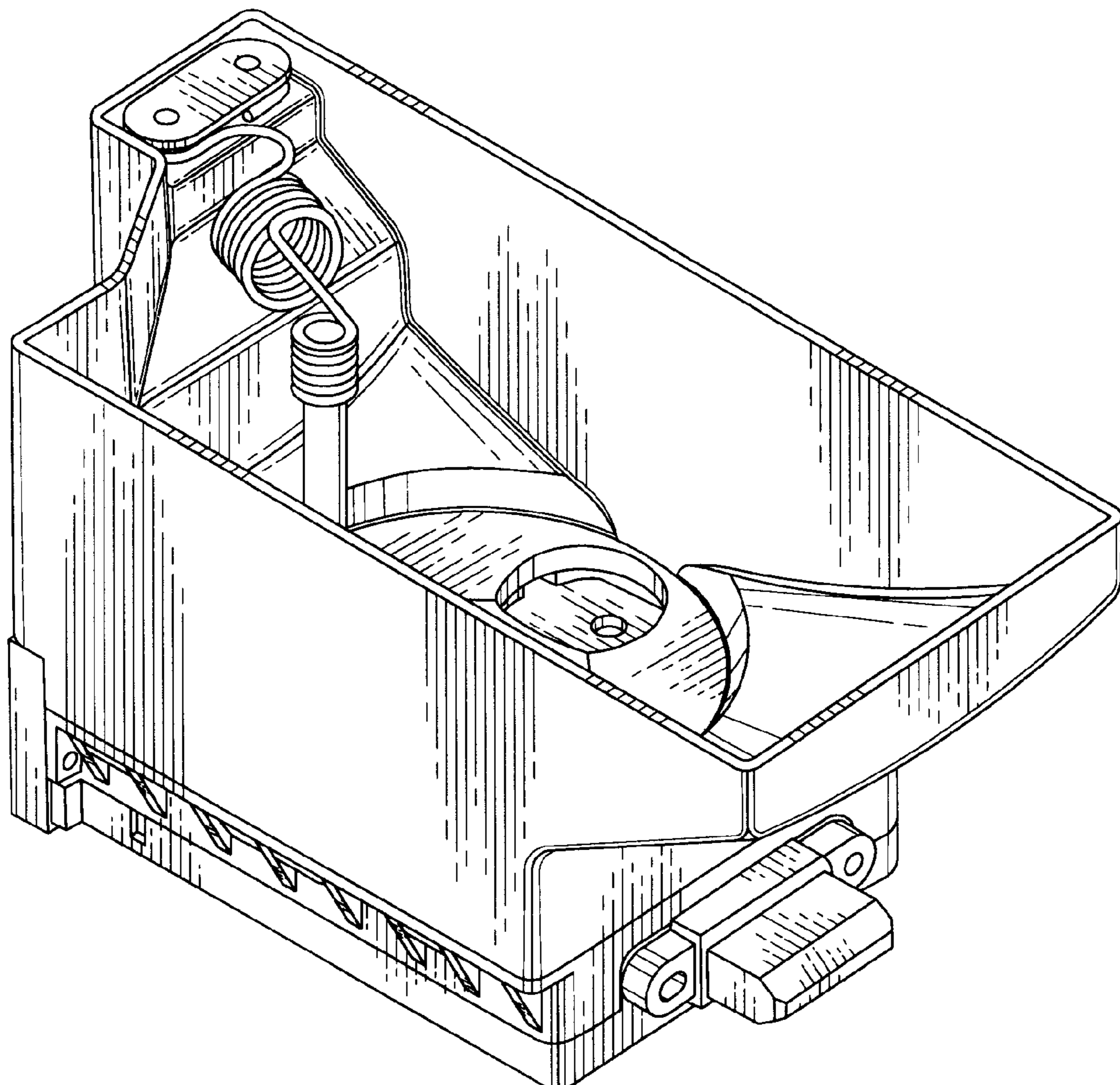


FIG. 1

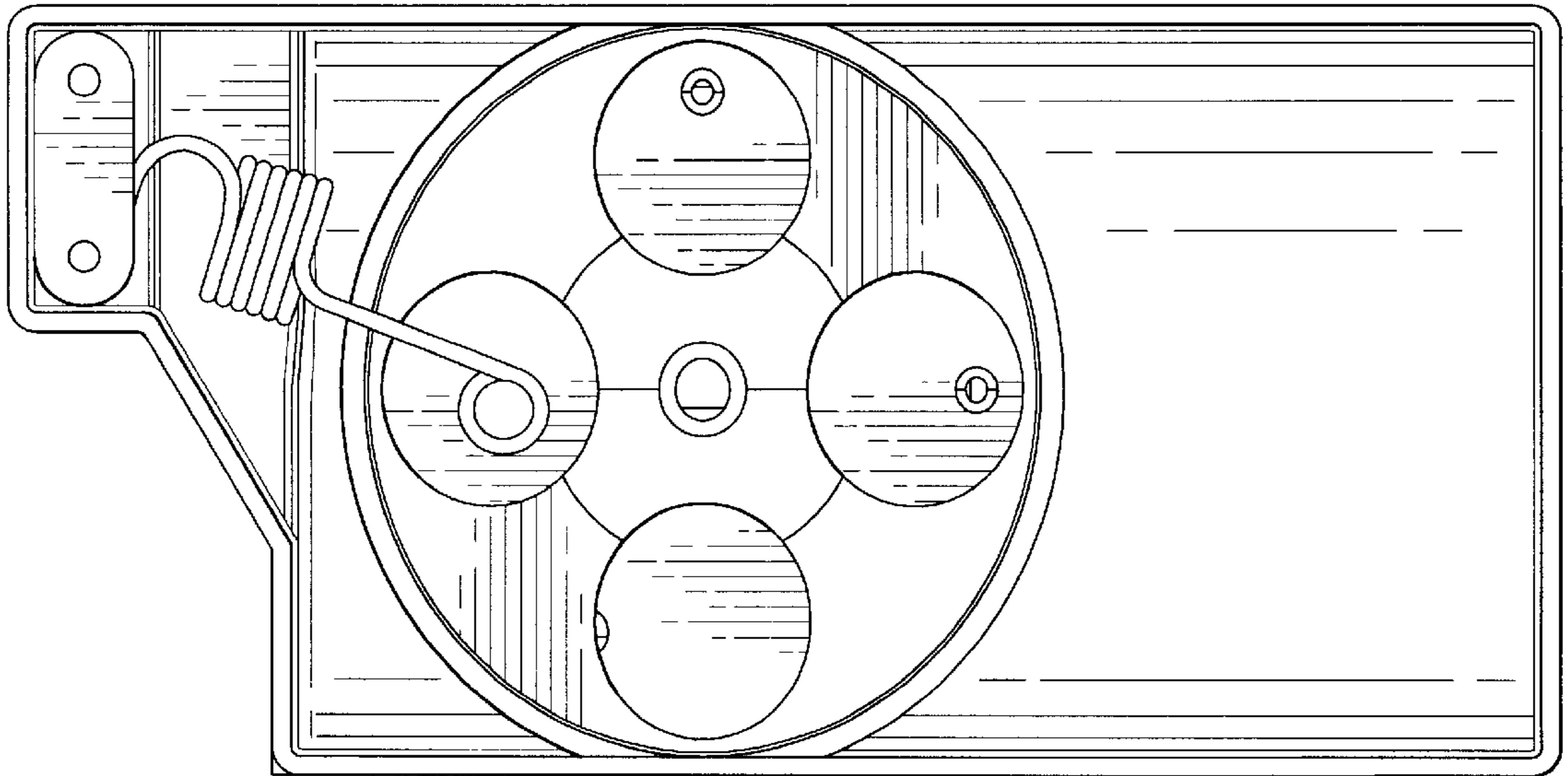


FIG. 2

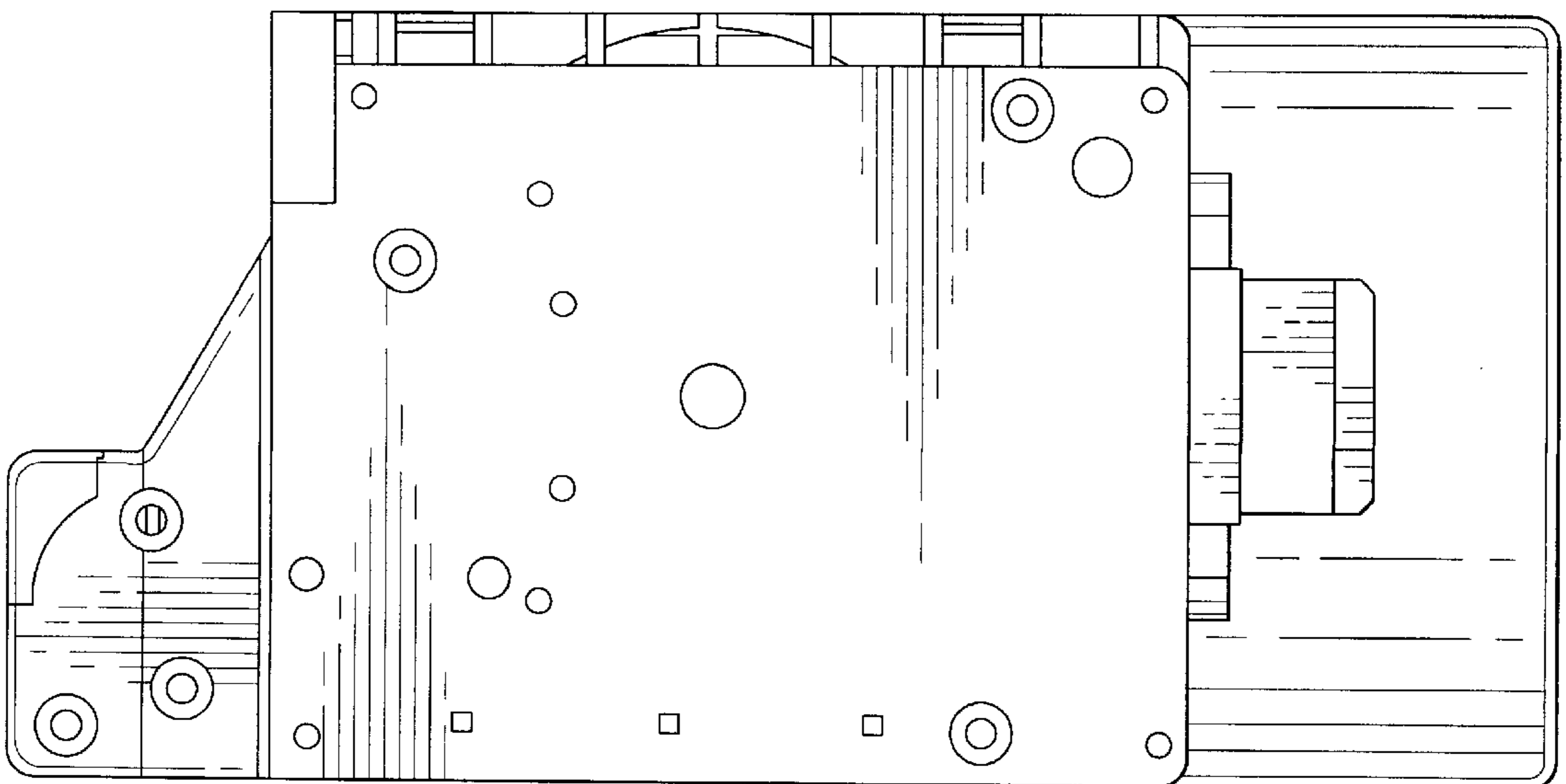


FIG. 3

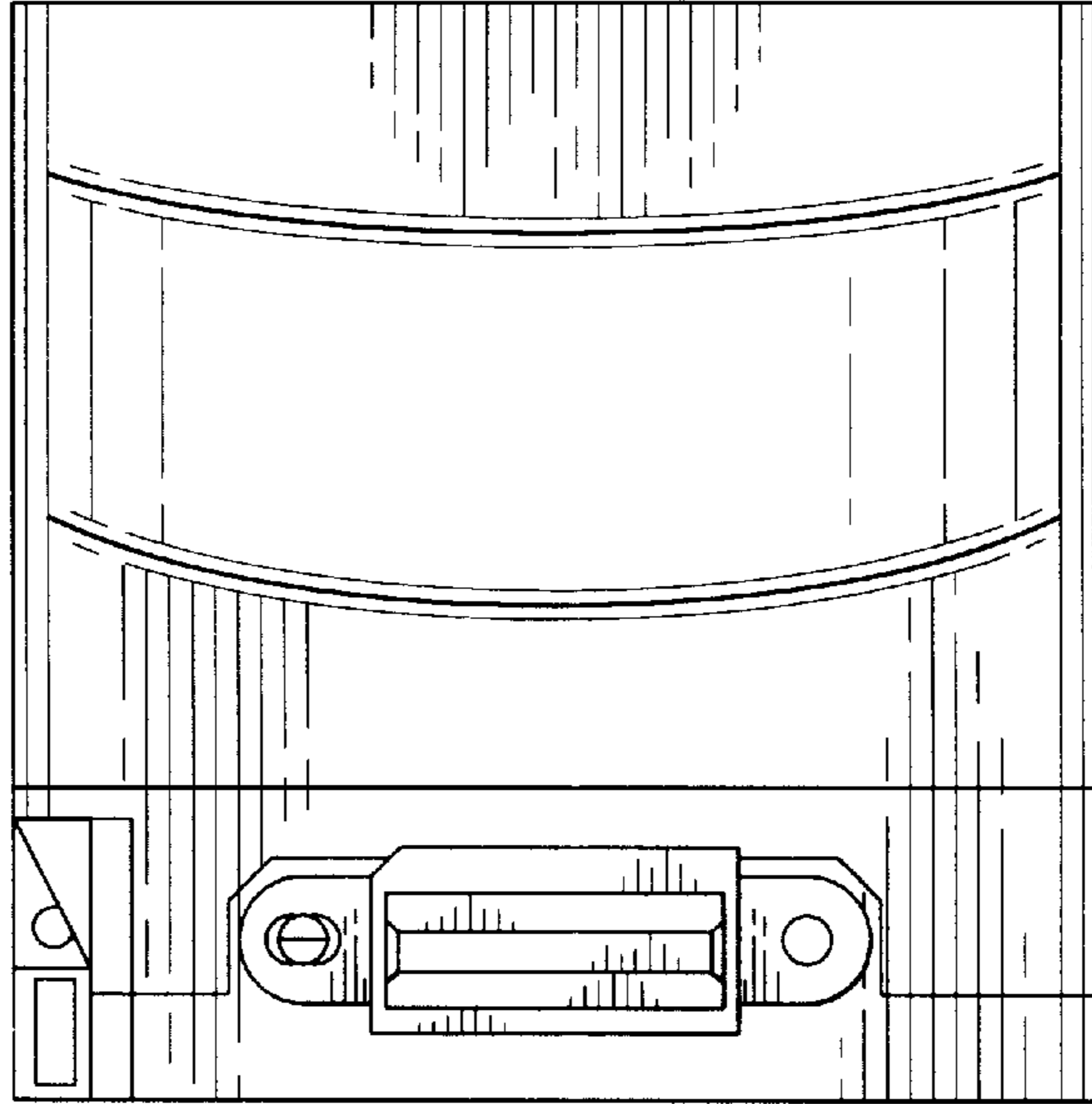


FIG. 4

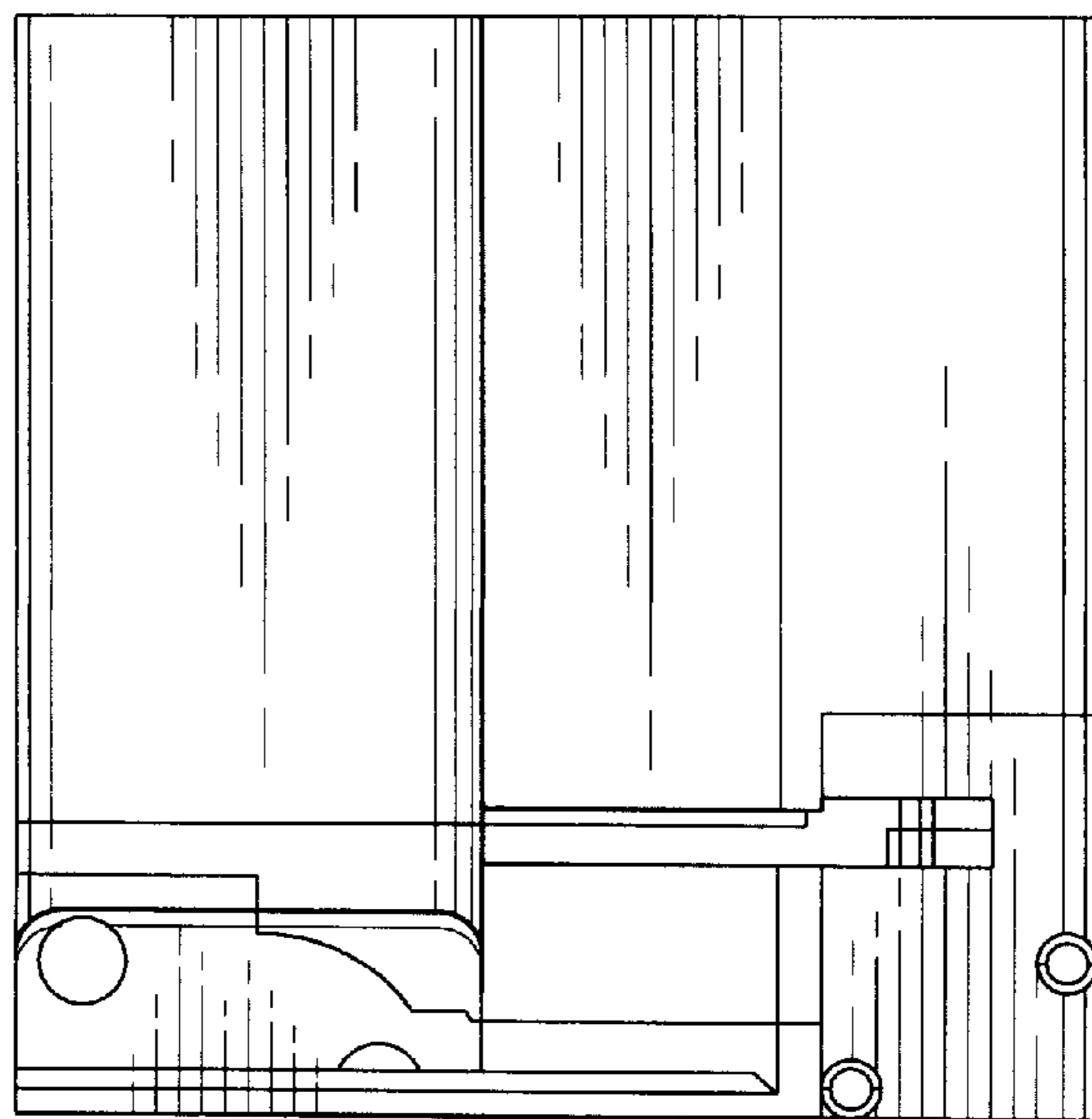


FIG. 5

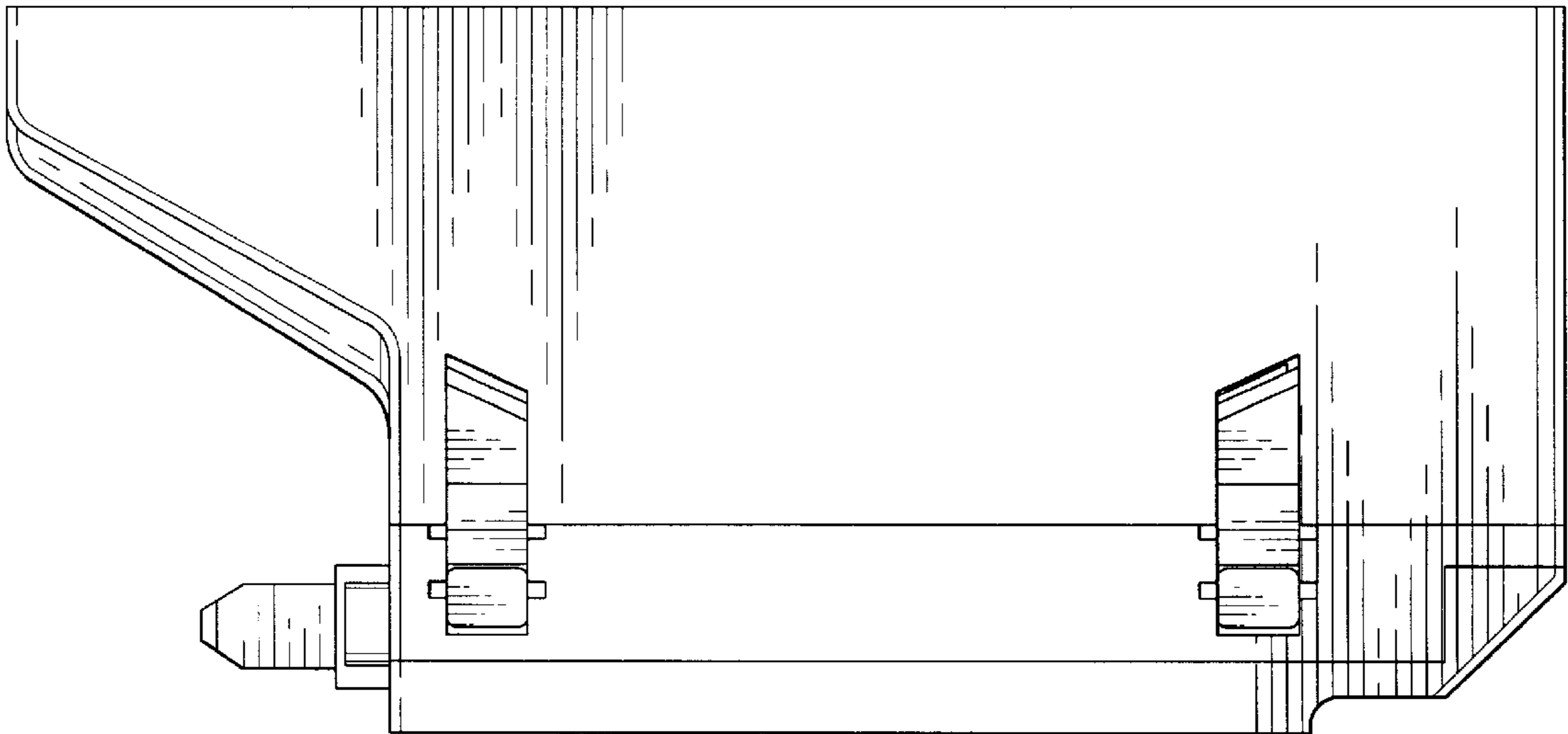


FIG. 6

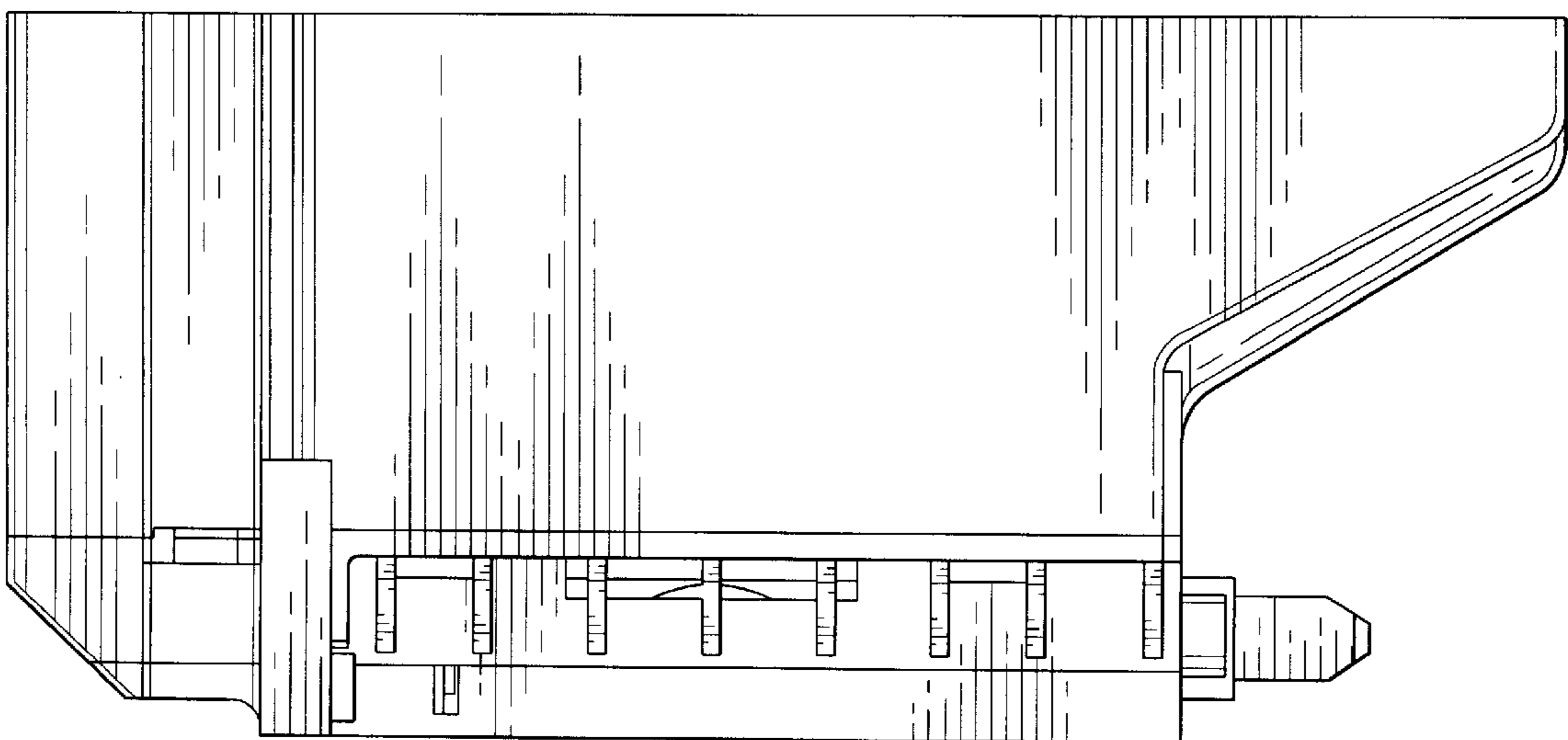


FIG. 7

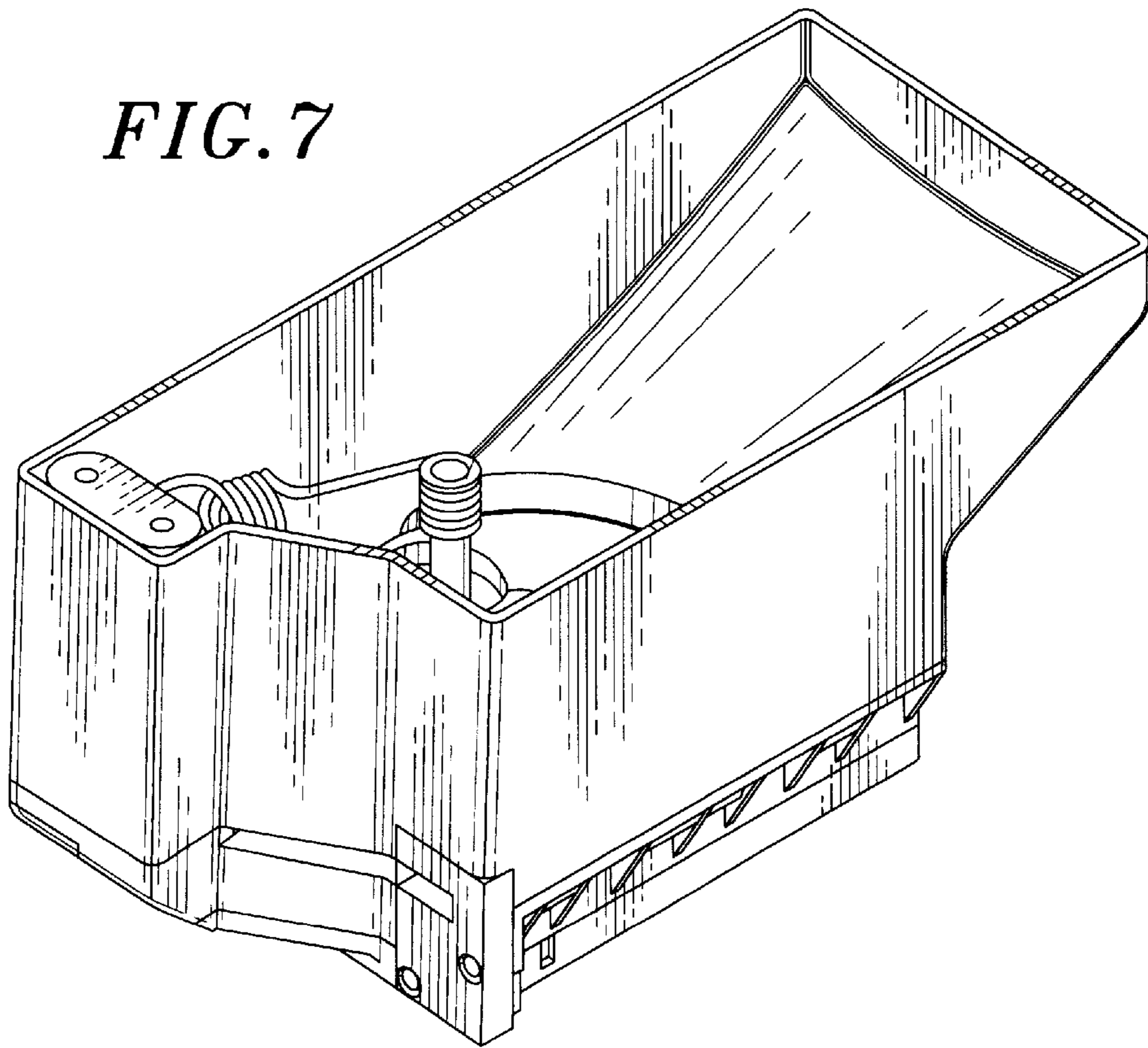
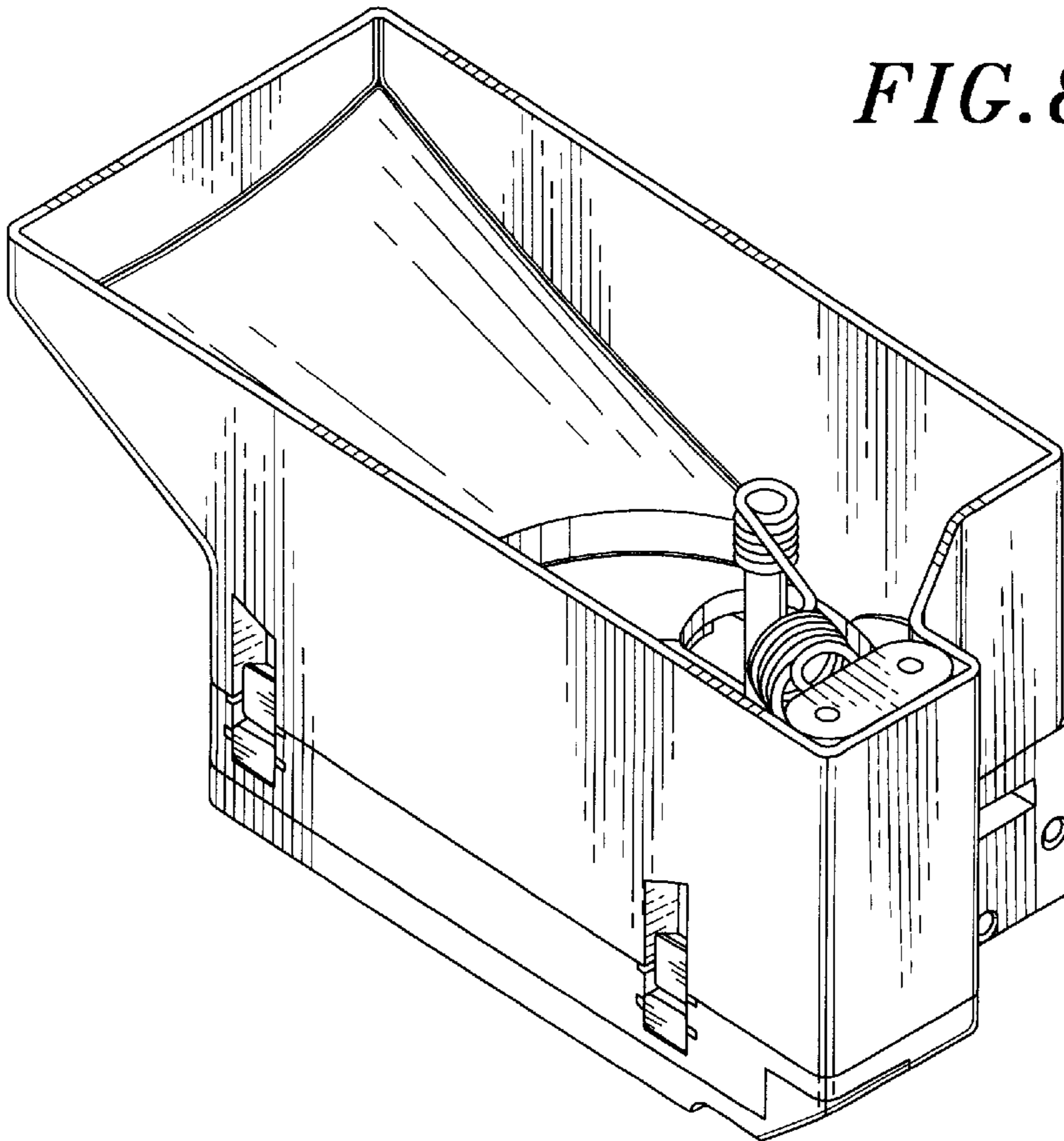


FIG. 8



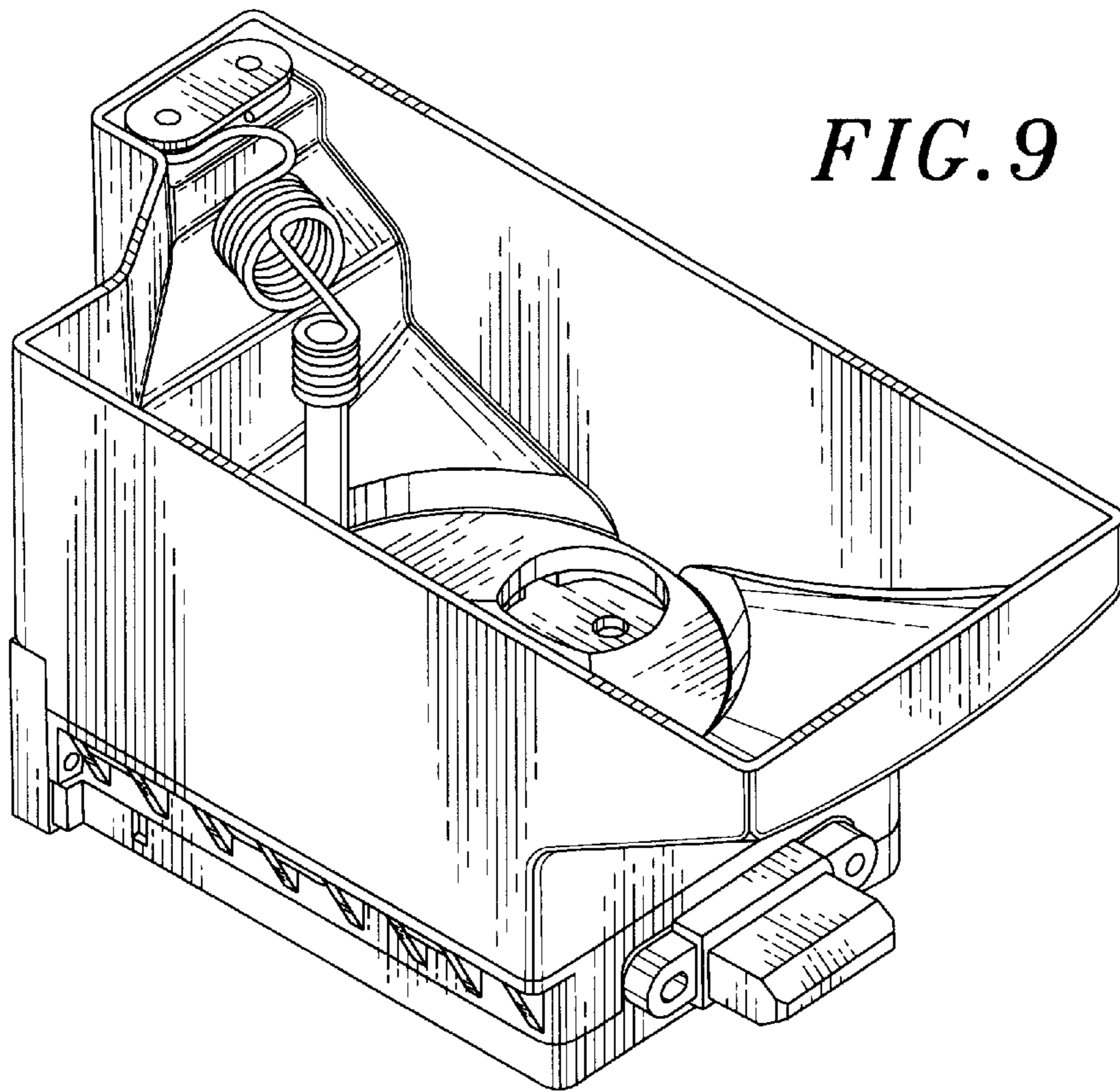


FIG. 9

FIG. 10

