



US00D421059S

United States Patent [19]
Shimizu

[11] **Patent Number: Des. 421,059**

[45] **Date of Patent: ** Feb. 22, 2000**

[54] **CORRECTION TAPE HOLDER**

[75] Inventor: **Kazuhisa Shimizu**, Tokyo, Japan

[73] Assignee: **Pentel Kabushiki Kaisha**, Japan

[**] Term: **14 Years**

[21] Appl. No.: **29/096,932**

[22] Filed: **Nov. 24, 1998**

[30] **Foreign Application Priority Data**

May 28, 1998 [JP] Japan 10-15190

[51] **LOC (7) Cl.** **19-02**

[52] **U.S. Cl.** **D19/69; D19/67; D19/53**

[58] **Field of Search** D19/65, 67, 68,
D19/69, 53, 66, 99, 100; 225/6, 7, 19, 24,
34, 35, 44, 45, 56, 65, 77, 89; 156/523,
527, 577, 510, 584; 118/43, 235, 500; 242/159,
430, 520, 570, 585, 598

[56] **References Cited**

U.S. PATENT DOCUMENTS

- D. 355,934 2/1995 Oga et al. D19/69
- D. 365,852 1/1996 Parsey et al. D19/67 X
- D. 369,385 4/1996 Lapointe D19/69

- D. 405,829 2/1999 Ono et al. D19/69
- 5,430,904 7/1995 Ono et al. 156/577 X
- 5,595,626 1/1997 Vokouchi et al. 156/577
- 5,670,014 9/1997 Mendelovich et al. 156/523

Primary Examiner—Martie K. Holtje
Attorney, Agent, or Firm—Adams & Wilks

[57] **CLAIM**

The ornamental design for a correction tape holder, as shown and described.

DESCRIPTION

FIG. 1 is a perspective view of the correction tape holder; FIG. 2 is a top plan view of the correction tape holder; FIG. 3 is a front view of the correction tape holder; FIG. 4 is a bottom view of the correction tape holder; FIG. 5 is a right side view of the correction tape holder; FIG. 6 is a rear view of the correction tape holder; FIG. 7 is a left side view of the correction tape holder; FIG. 8 is a sectional view taken along line 8—8 in FIG. 3; FIG. 9 is a sectional view taken along line 9—9 in FIG. 4; FIG. 10 is a sectional view taken along line 10—10 in FIG. 3; and, FIG. 11 is a sectional view taken along line 11—11 in FIG. 3.

1 Claim, 2 Drawing Sheets

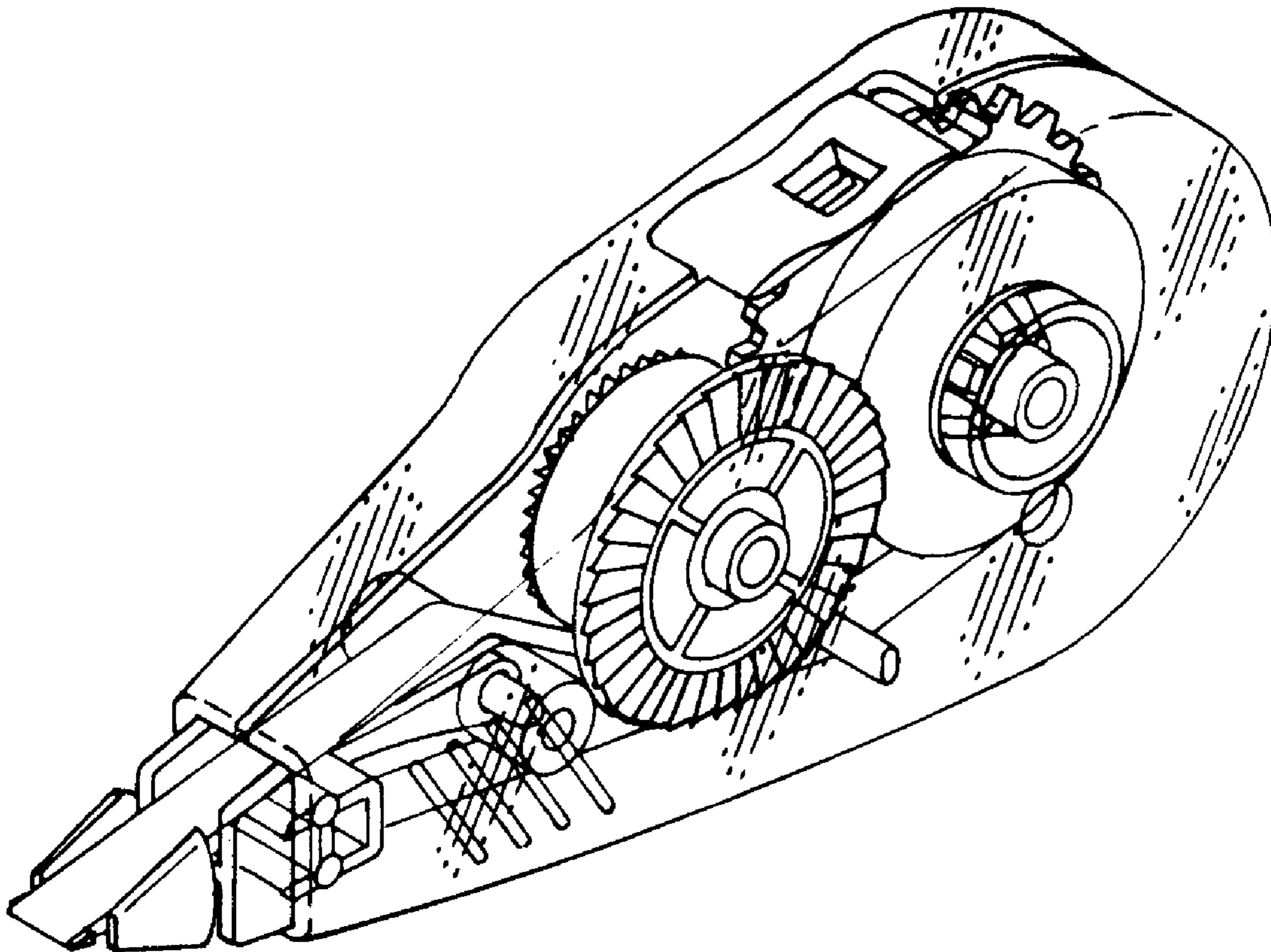


FIG. 1

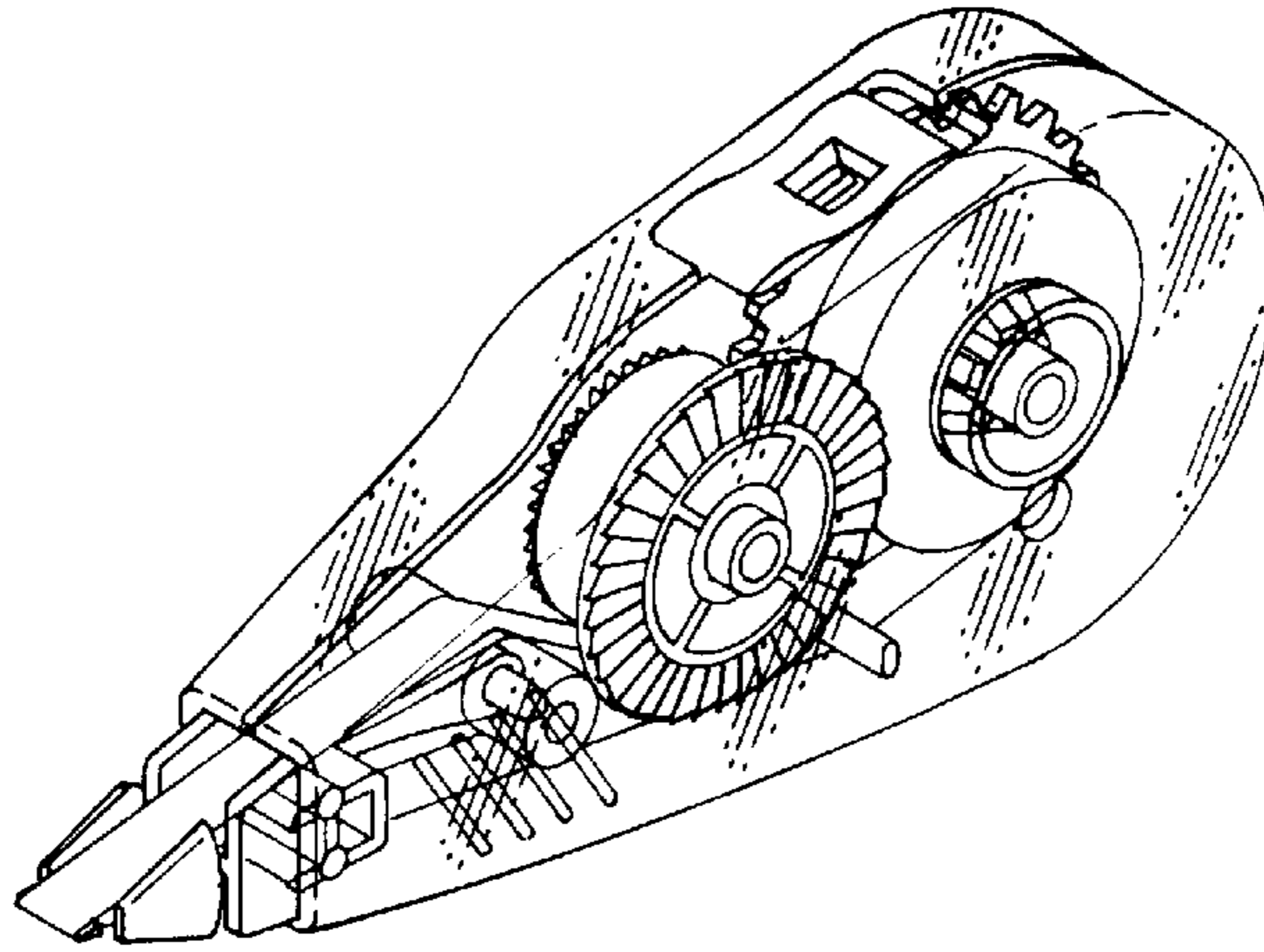


FIG. 2

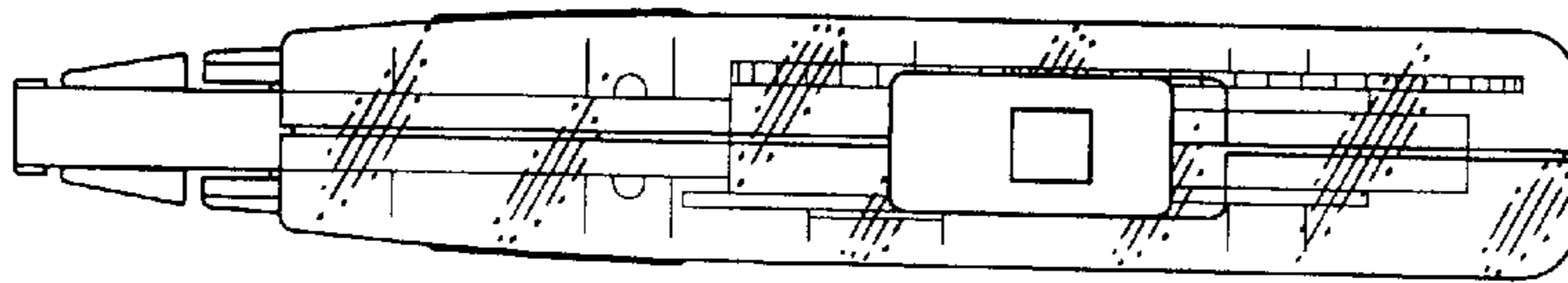


FIG. 3

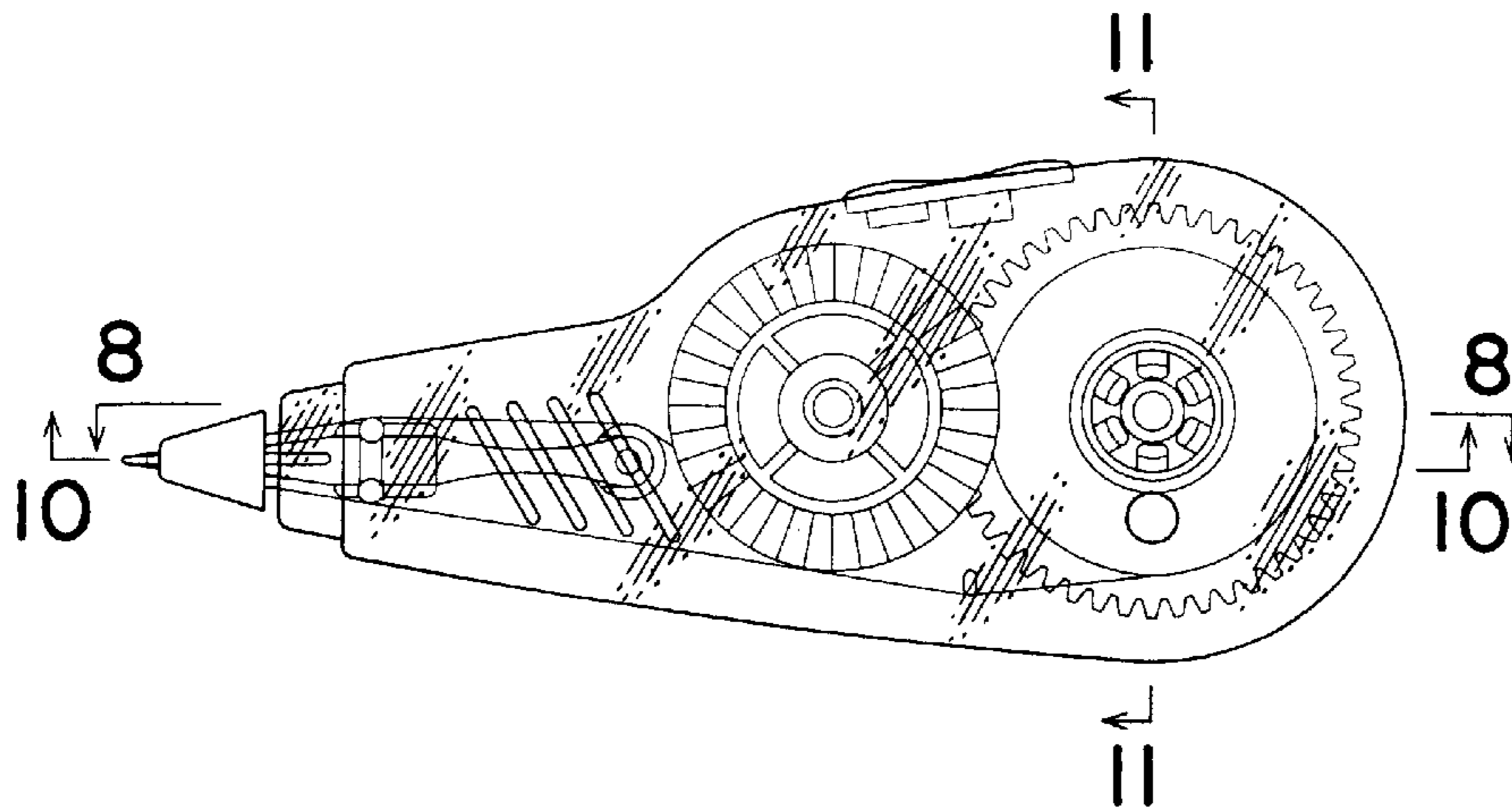


FIG. 4

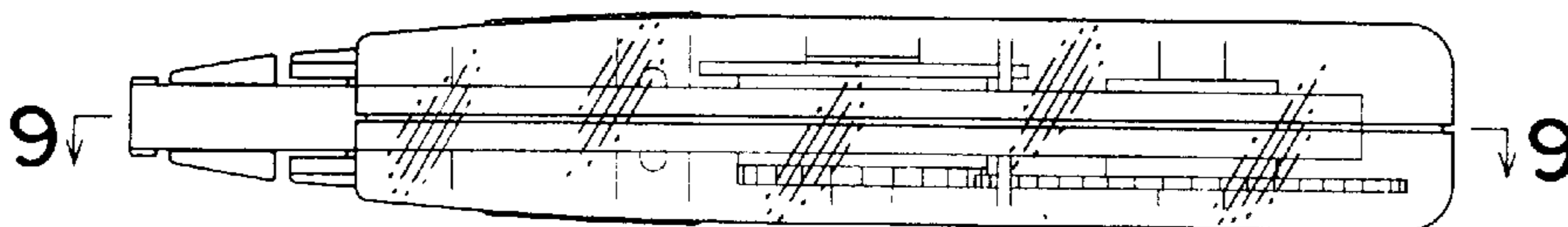


FIG. 5

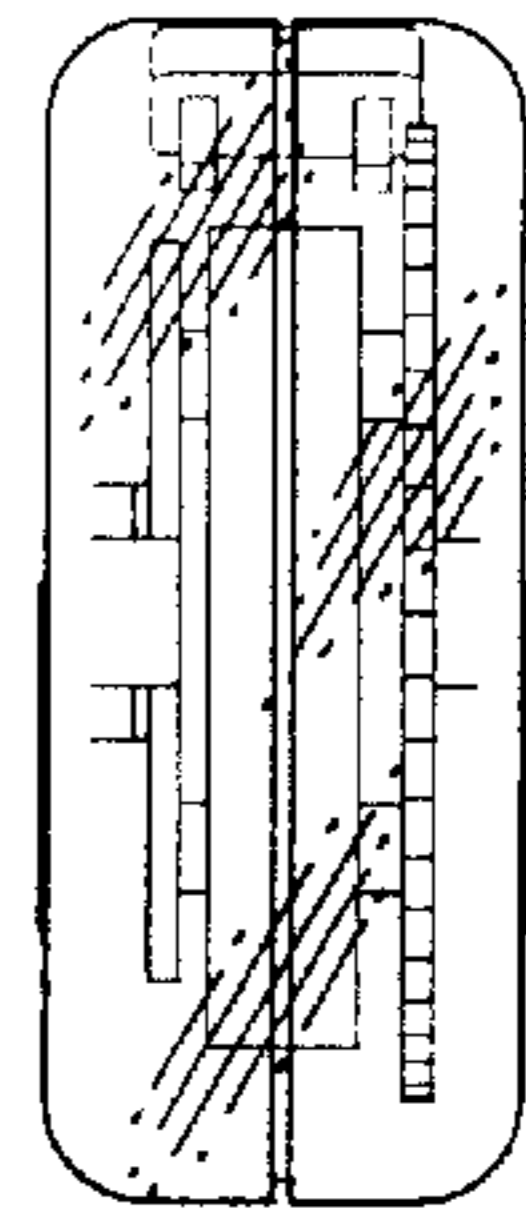


FIG. 6

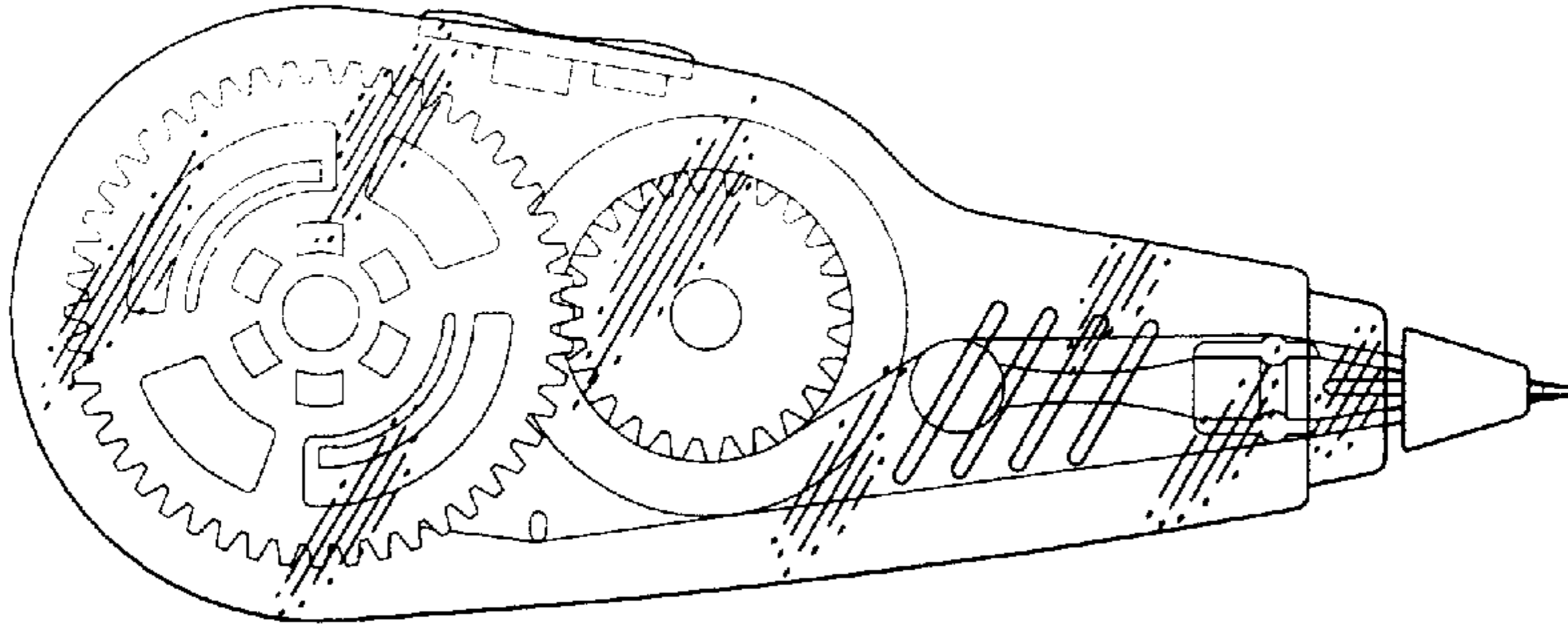


FIG. 7

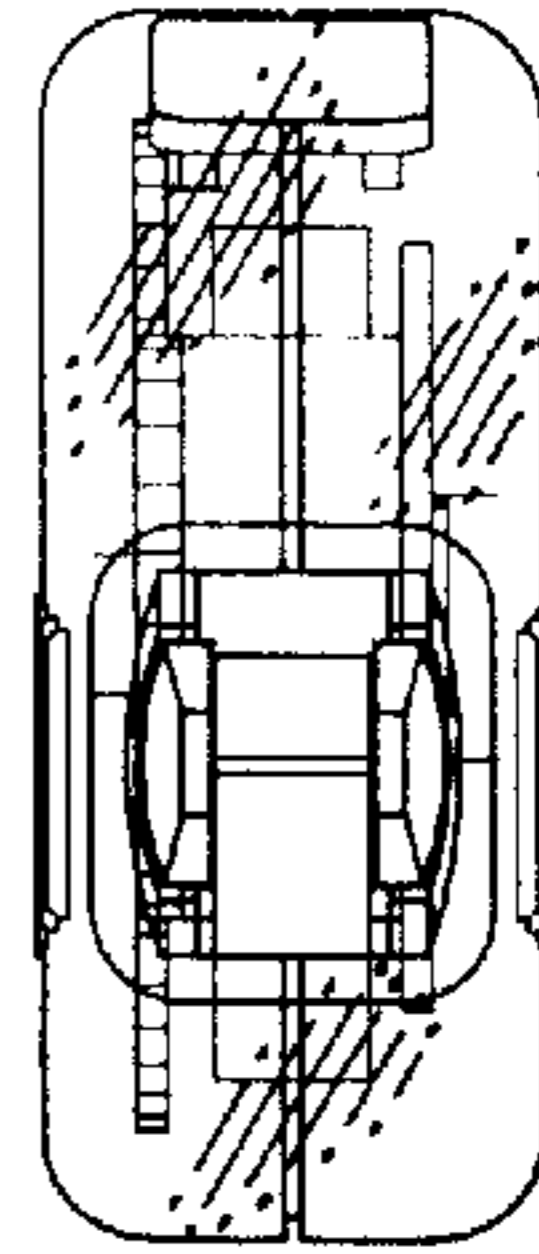


FIG. 8

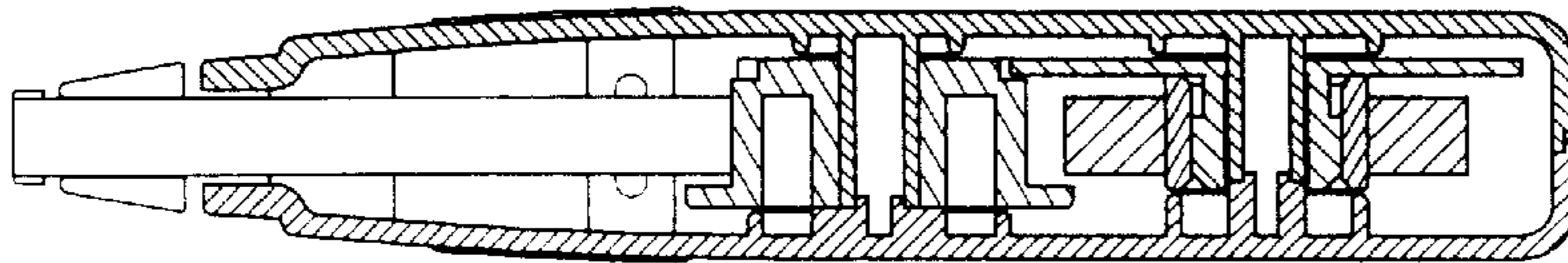


FIG. 9

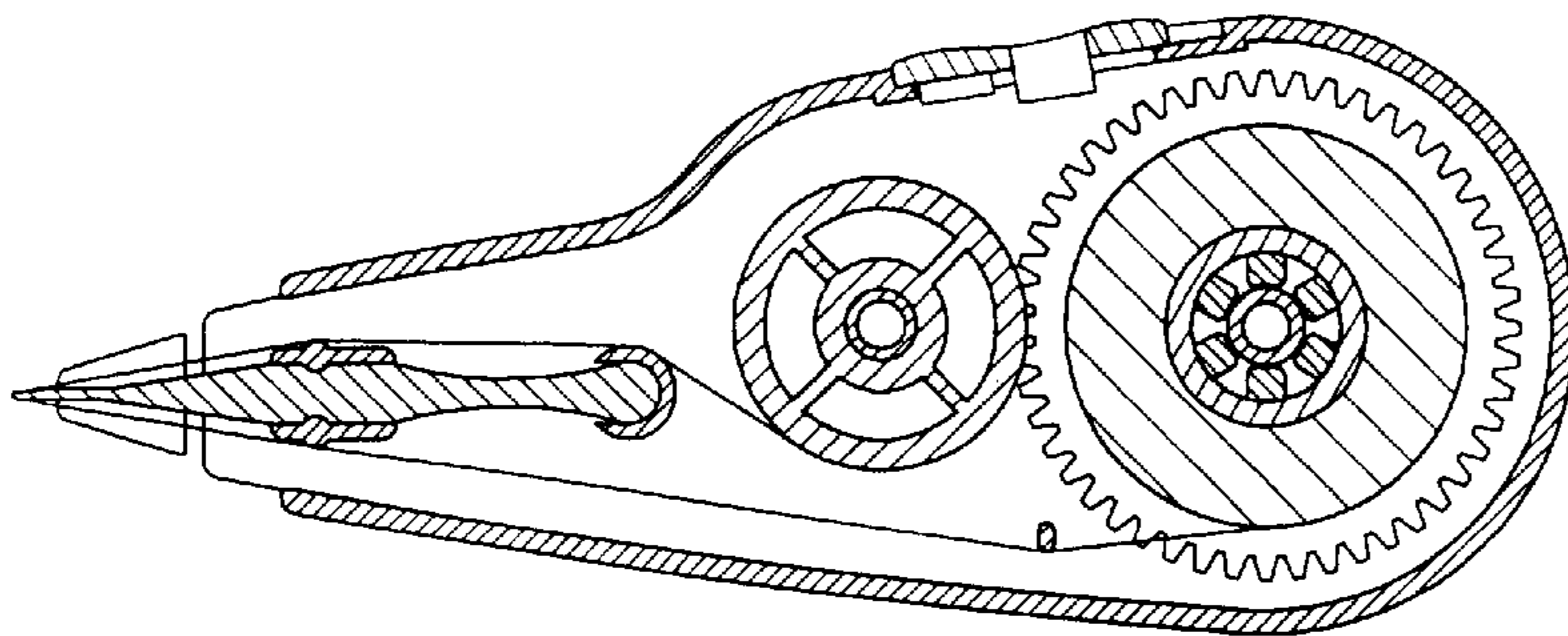


FIG. 11

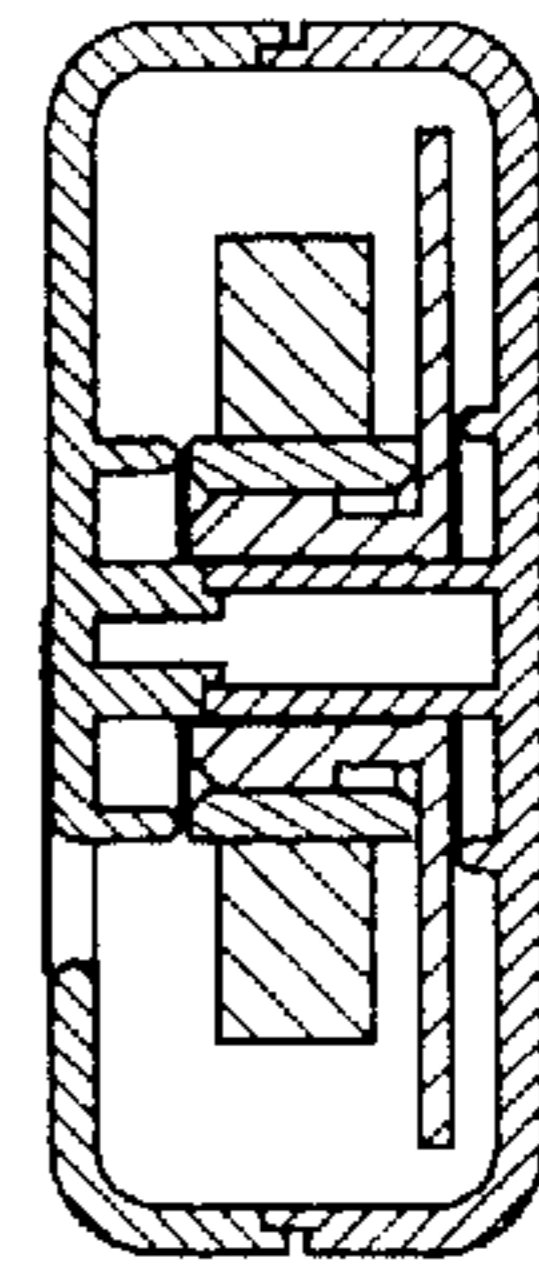


FIG. 10

