



US00D421057S

United States Patent [19]

Hummell et al.

[11] Patent Number: **Des. 421,057**

[45] Date of Patent: **** Feb. 22, 2000**

[54] OPTICAL DISC ADHESIVE LABEL APPLICATOR

[75] Inventors: **Michael Hummell**, Newport Beach;
Joseph R. Pearce, Irvine, both of Calif.

[73] Assignee: **Stomp, Inc.**, Costa Mesa, Calif.

[**] Term: **14 Years**

[21] Appl. No.: **29/107,457**

[22] Filed: **Jul. 6, 1999**

Related U.S. Application Data

[63] Continuation of application No. 08/928,241, Sep. 12, 1997,
Pat. No. 5,958,177

[60] Provisional application No. 60/026,150, Sep. 16, 1996.

[51] **LOC (7) Cl.** **19-02**

[52] **U.S. Cl.** **D19/65; D19/67**

[58] **Field of Search** D19/65, 66, 67,
D19/68, 69, 100; 156/391, 538, 514, 556,
577, 579, 580, DIG. 1, DIG. 2, 293, DIG. 24,
379.8

[56] References Cited

U.S. PATENT DOCUMENTS

5,421,950	6/1995	Parrish	156/579
5,783,031	7/1998	Sievers	156/556
5,783,033	7/1998	Grossman	156/556
5,902,446	5/1999	Casillo et al.	156/379.8
5,951,819	9/1999	Hummell et al.	156/556
5,958,177	9/1999	Claussnitzer	156/391

Primary Examiner—Martie K. Holtje
Attorney, Agent, or Firm—Walter A. Hackler

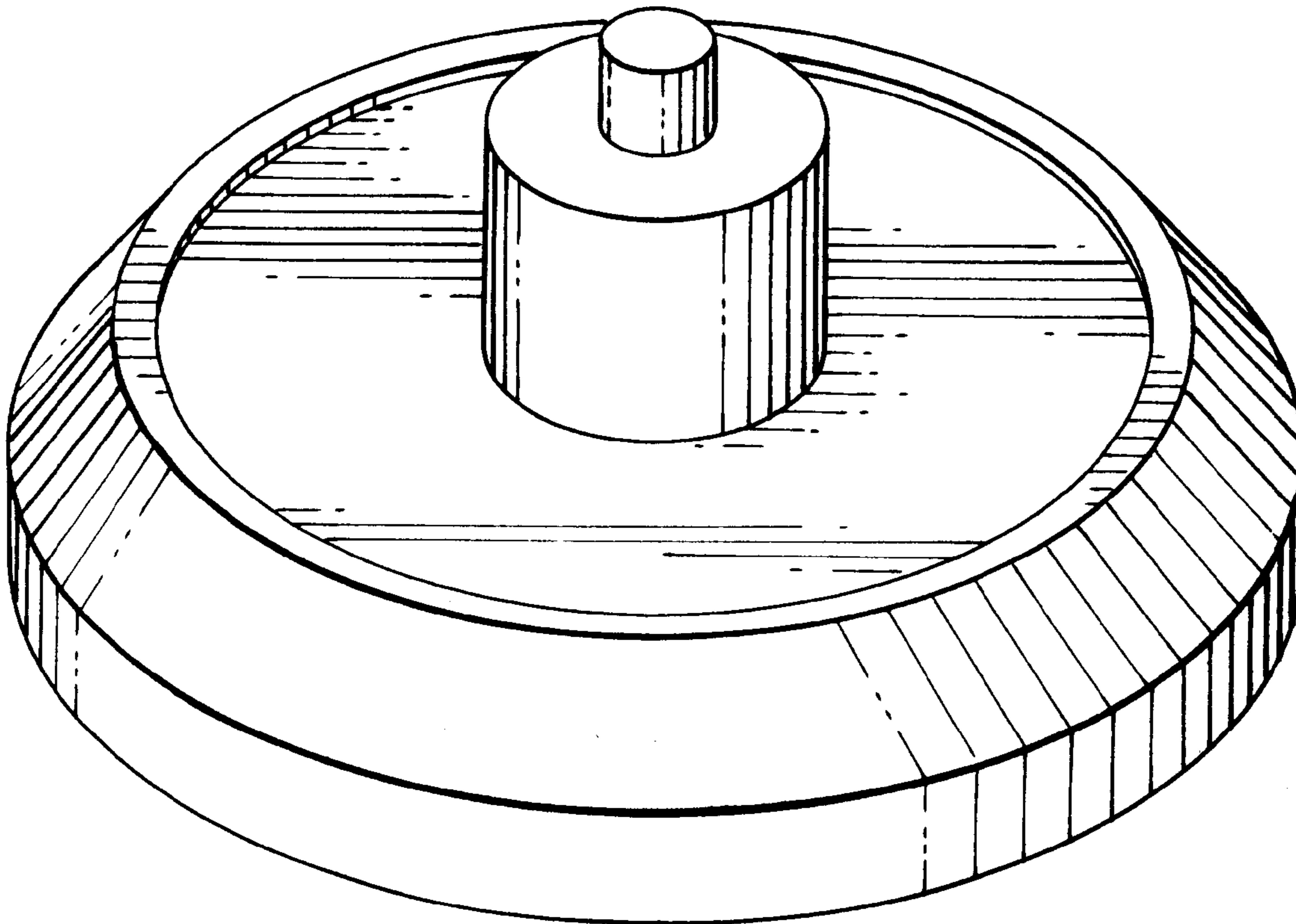
[57] CLAIM

The ornamental design for an optical disc adhesive label applicator, as shown and described.

DESCRIPTION

FIG. 1 is a perspective view of the present invention; FIG. 2 is a top plan view of the present invention; FIG. 3 is a side view of the present invention; and, FIG. 4 is a bottom plan view of the present invention.

1 Claim, 2 Drawing Sheets



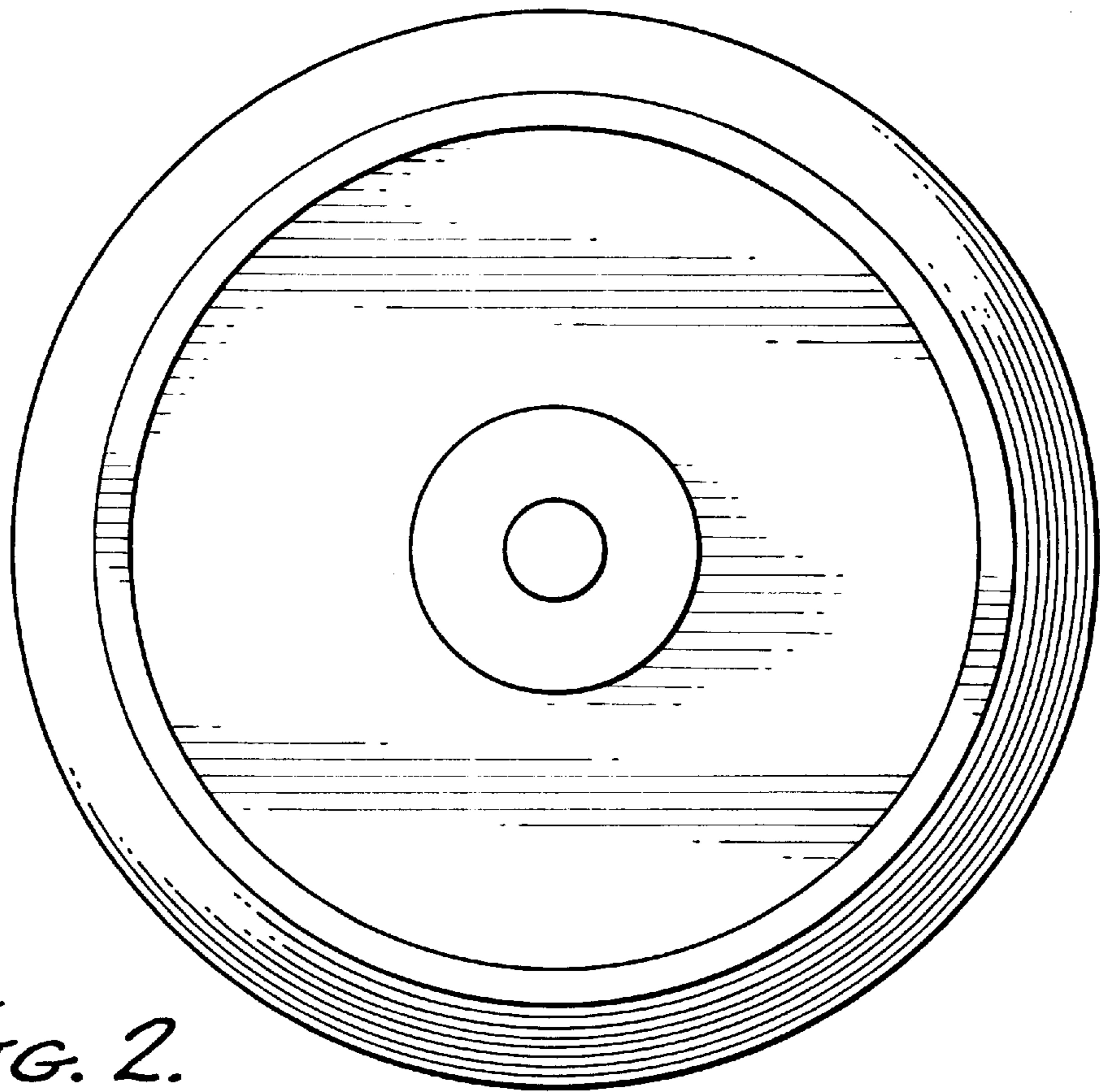


FIG. 2.

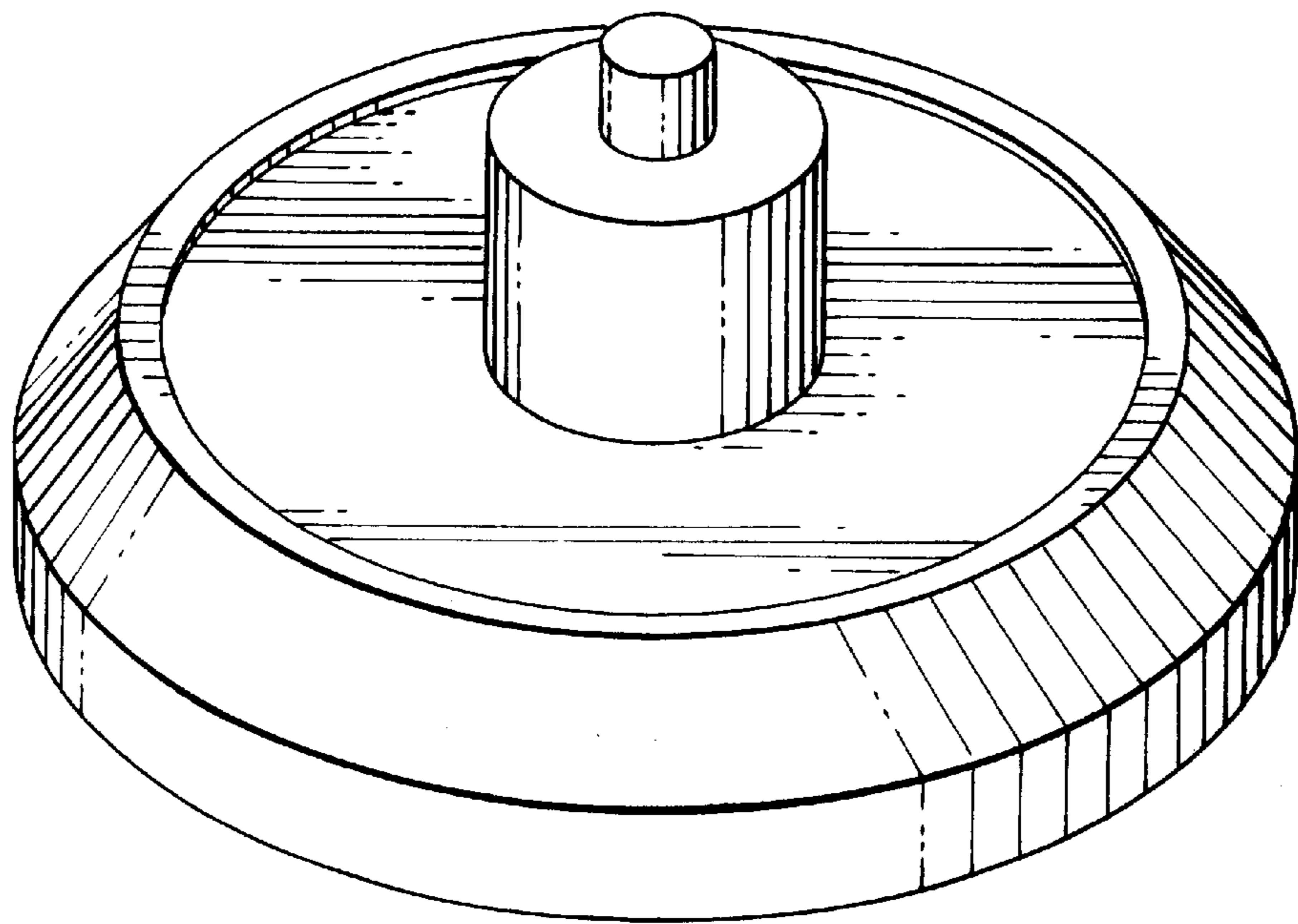


FIG. 1.

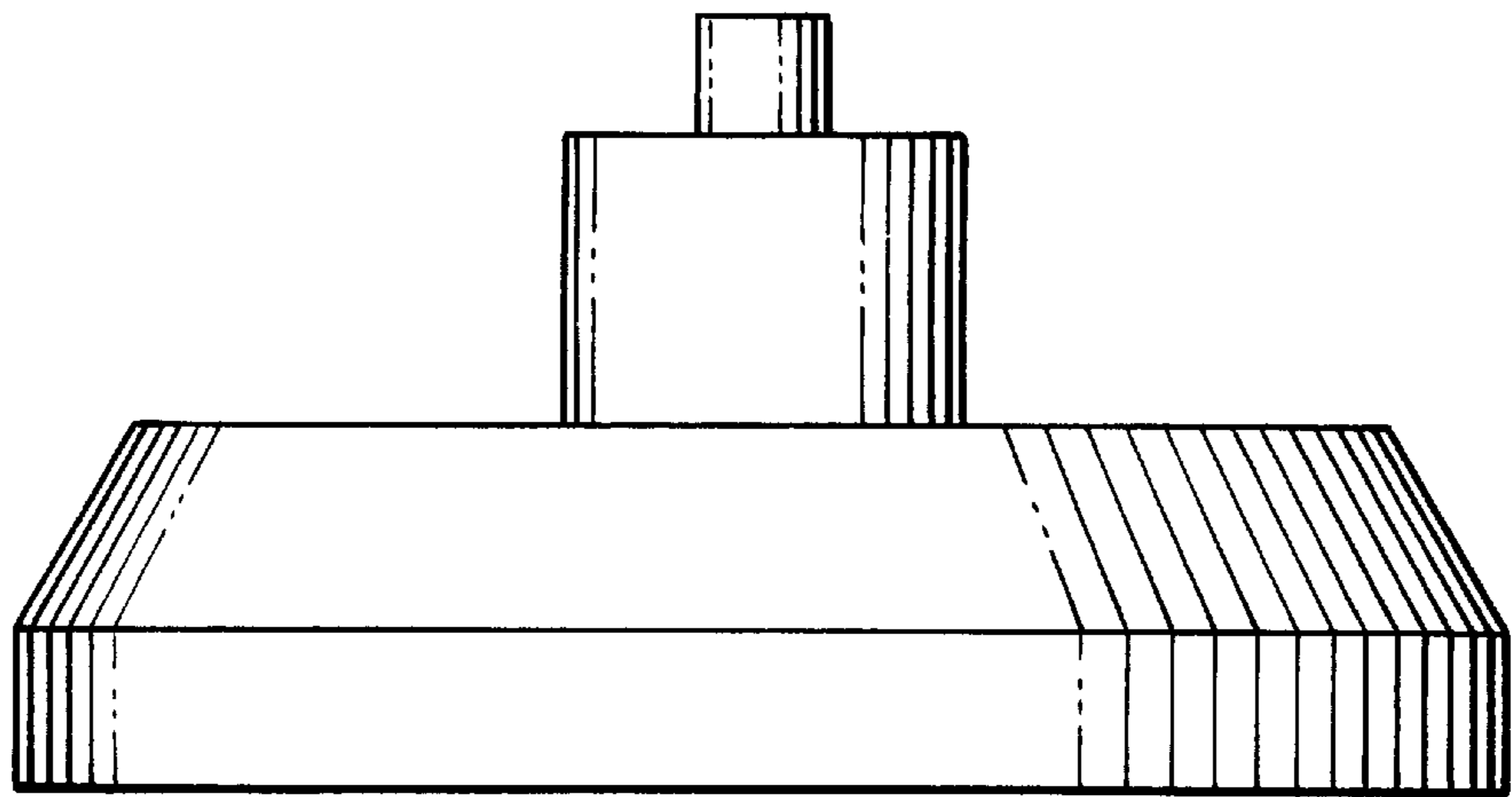


FIG. 3.

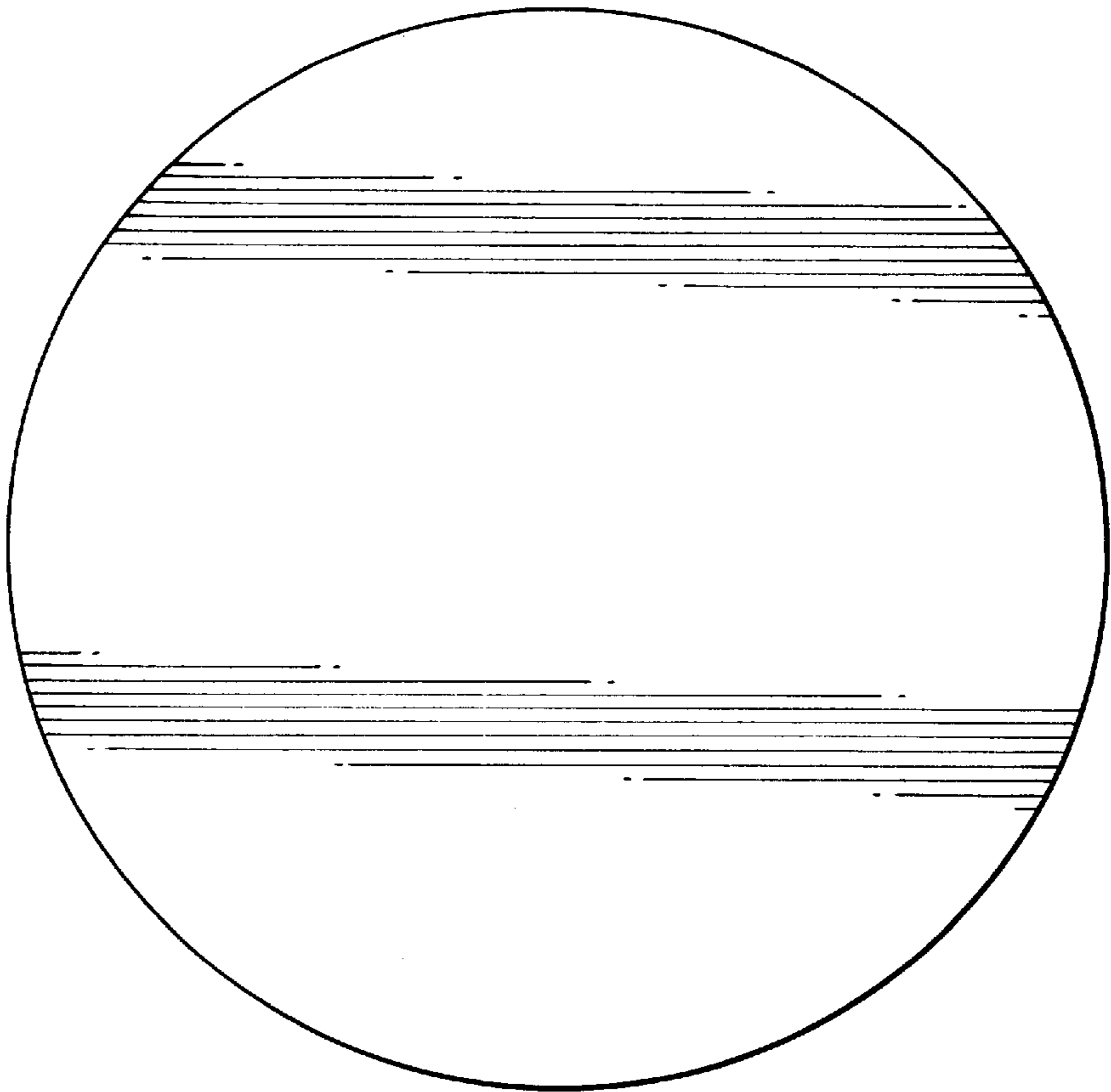


FIG. 4.