



US00D421050S

# United States Patent [19]

[11] Patent Number: Des. 421,050

Henrikson et al.

[45] Date of Patent: \*\* Feb. 22, 2000

[54] FILE JACKET

[75] Inventors: **Damon Gunier Henrikson**, Waukegan;  
**Marcia Elizabeth Lausen**, Evanston;  
**Anastasios Jerry Vasilatos**, Wilmette,  
all of Ill.

[73] Assignee: **ACCO Brands, Inc.**, Lincolnshire, Ill.

[\*\*] Term: **14 Years**

[21] Appl. No.: **29/089,708**

[22] Filed: **Jun. 19, 1998**

[51] LOC (7) Cl. .... **19-04**

[52] U.S. Cl. .... **D19/33; D19/86; D19/90**

[58] Field of Search ..... D19/1, 2, 3, 26,  
D19/27, 32, 33; 40/359; 281/15.1, 31, 35,  
38, 51; 229/67.1, 67.3, 67.4, 72, 75; 402/79,  
80 R; 206/232

## [56] References Cited

### U.S. PATENT DOCUMENTS

D. 275,576	9/1984	Kirk	.....	D19/33
325,676	9/1885	Jenkins	.	
594,620	11/1897	Harris	.	
621,732	3/1899	Wyman	.	
673,387	5/1901	Dean	.	
783,365	2/1905	Coleman	.	
930,837	8/1909	Bushnell, Jr.	.	
979,213	12/1910	Shedd	.	
1,175,691	3/1916	Blizard	.	
1,463,827	8/1923	McNeill et al.	.	
1,743,305	1/1930	Banks	.	
1,774,215	8/1930	Weinthrop	.	
1,794,560	3/1931	Styll	.	
2,599,768	6/1952	Losch, Jr.	.....	129/1
2,756,515	7/1956	Hoffman	.....	35/35
3,224,661	12/1965	Tilton, Jr.	.....	229/72
3,528,602	9/1970	Ritchie	.....	229/68
3,620,440	11/1971	Humphrey	.....	229/72
3,847,195	11/1974	Tyrseck	.....	150/39
4,109,850	8/1978	Meenan et al.	.....	229/72
4,485,962	12/1984	Farley	.....	299/1.5 R
4,549,688	10/1985	Ozmon et al.	.....	229/1.5 R
4,602,734	7/1986	Thompson	.....	229/67.4
4,932,520	6/1990	Ciarcia et al.	.....	206/232

5,031,772	7/1991	Woodriff	.....	206/444
5,050,792	9/1991	Segall	.....	229/68 R
5,161,731	11/1992	Rivlin et al.	.....	229/1.5 R
5,174,606	12/1992	Hure	.....	281/45
5,256,130	10/1993	Kachel et al.	.....	493/210
5,275,438	1/1994	Struhl	.....	281/31
5,540,513	7/1996	Wyant	.....	402/79
5,558,454	9/1996	Owen	.....	402/79
5,579,908	12/1996	Johnson	.....	206/308.3
5,711,750	1/1998	Christensen et al.	.....	493/210
5,720,427	2/1998	Kachel et al.	.....	229/67.3
5,909,979	6/1999	Winzen	.....	402/79
5,924,736	7/1999	Russo	.....	281/38

### FOREIGN PATENT DOCUMENTS

477151	9/1951	Canada	.
553065	of 0000	United Kingdom	.
412683	7/1934	United Kingdom	.
862396	1/1953	United Kingdom	.

### OTHER PUBLICATIONS

Miller's Office Supply Catalog, 1994, page 622, see index-tab pocketed file folder, page center, circled.

*Primary Examiner*—Martie K. Holtje  
*Attorney, Agent, or Firm*—Pennie & Edmonds LLP

## [57] CLAIM

The ornamental design for a file jacket, as shown and described.

### DESCRIPTION

FIG. 1 is a top-left perspective view of a file jacket showing my new design;  
 FIG. 2 is a front view thereof;  
 FIG. 3 is a rear view thereof;  
 FIG. 4 is a top view thereof;  
 FIG. 5 is a bottom view thereof;  
 FIG. 6 is a left side view thereof;  
 FIG. 7 is a right side view thereof;  
 FIG. 8 is a bottom-right perspective view thereof;  
 FIG. 9 is a top-left perspective view thereof with a binder attachment member folded to a retracted position;  
 FIG. 10 is a perspective view of another embodiment of a file jacket showing my new design;  
 FIG. 11 is a front view thereof;  
 FIG. 12 is a rear view thereof;

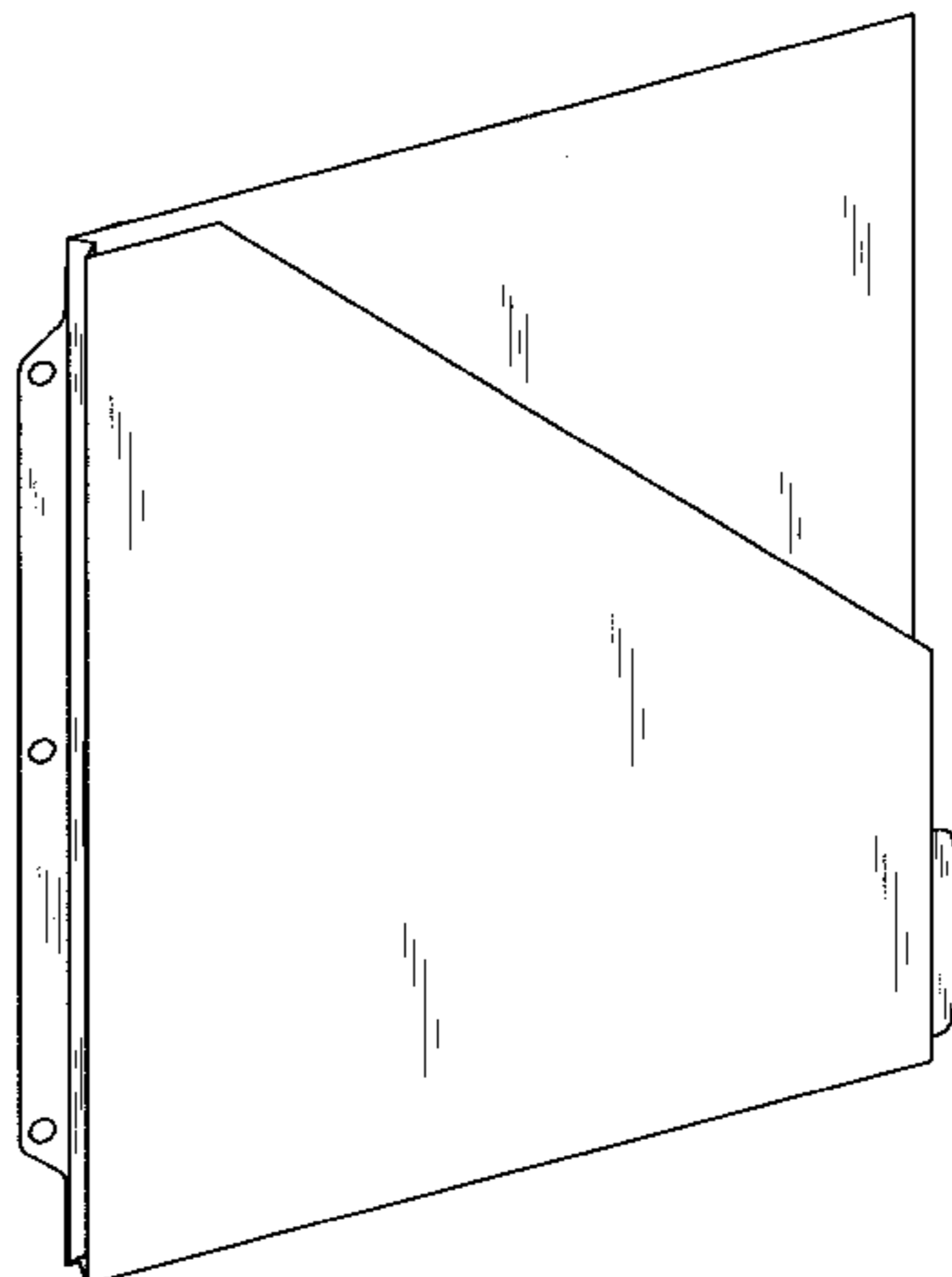
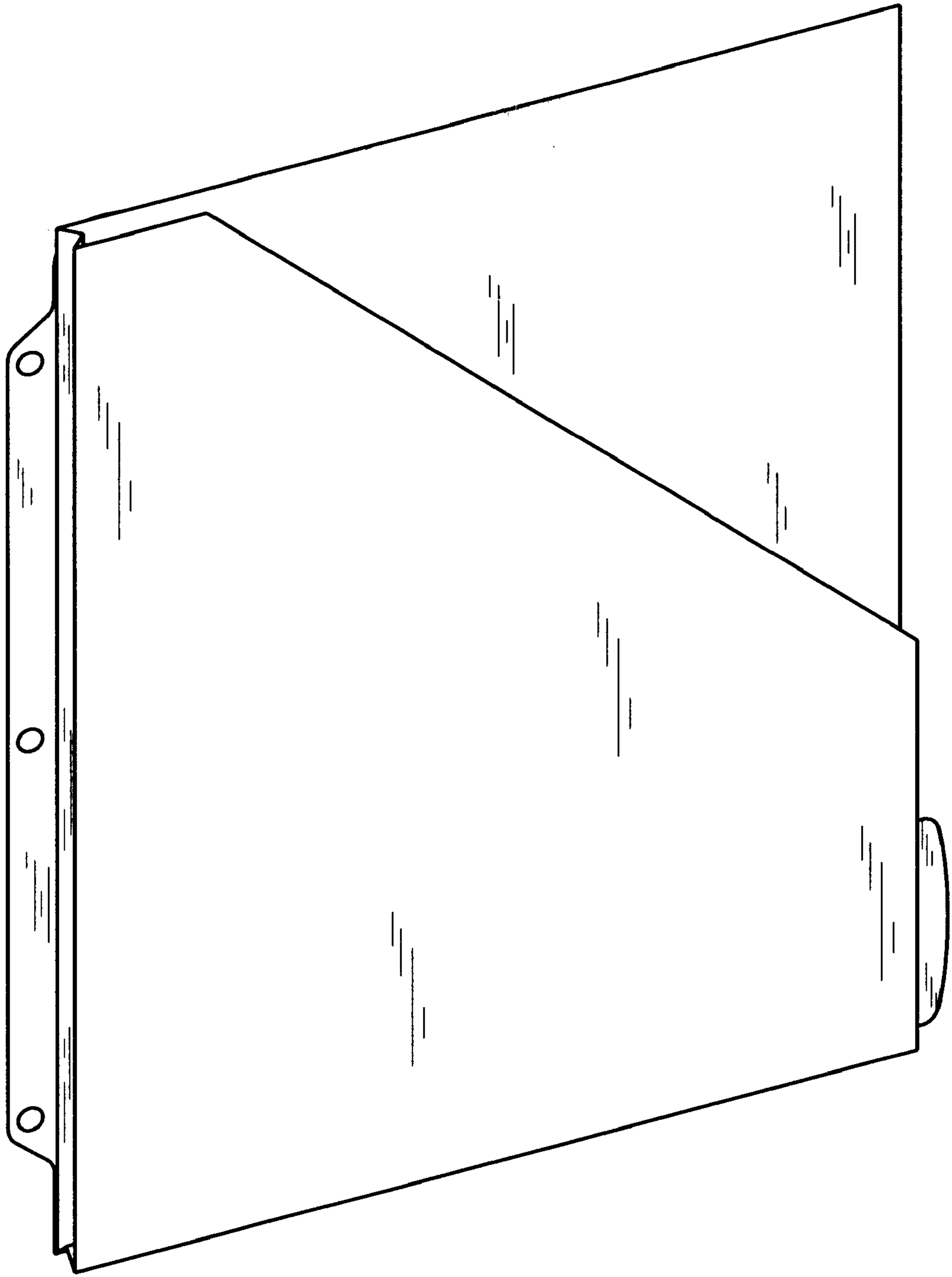


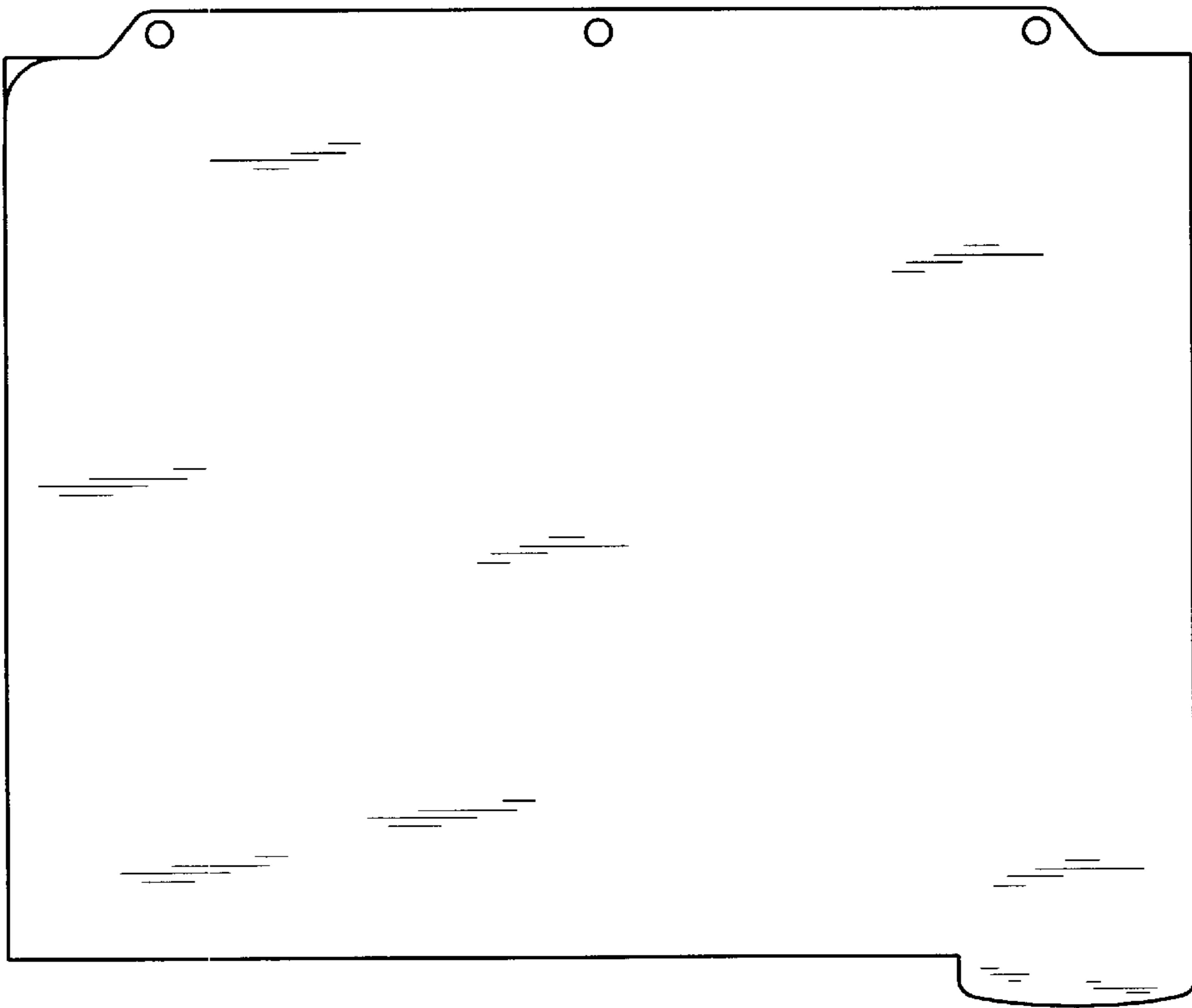
FIG. 13 is a top view thereof;  
FIG. 14 is a bottom view thereof;  
FIG. 15 is a left side view thereof;  
FIG. 16 is a right side view thereof;  
FIG. 17 is a perspective view of another embodiment of a file jacket showing my new design;  
FIG. 18 is a front view thereof;  
FIG. 19 is a rear view thereof;  
FIG. 20 is a top view thereof;  
FIG. 21 is a bottom view thereof;  
FIG. 22 is a left side view thereof;  
FIG. 23 is a right side view thereof;  
FIG. 24 is a perspective view of another embodiment of a file jacket showing my new design;  
FIG. 25 is a front view thereof;  
FIG. 26 is a rear view thereof;  
FIG. 27 is a top view thereof;  
FIG. 28 is a bottom view thereof;  
FIG. 29 is a left side view thereof;  
FIG. 30 is a right side view thereof;  
FIG. 31 is a perspective view of another embodiment of a file jacket showing my new design;

FIG. 32 is a front view thereof;  
FIG. 33 is a rear view thereof;  
FIG. 34 is a top view thereof;  
FIG. 35 is a bottom view thereof;  
FIG. 36 is a left side view thereof;  
FIG. 37 is a right side view thereof;  
FIG. 38 is a perspective view of another embodiment of a file jacket showing my new design;  
FIG. 39 is a front view thereof;  
FIG. 40 is a rear view thereof;  
FIG. 41 is a top view thereof;  
FIG. 42 is a bottom view thereof;  
FIG. 43 is a left side view thereof; and,  
FIG. 44 is a right side view thereof;  
The portions shown in phantom lines are not part of the claimed invention, but are considered necessary to show environment.

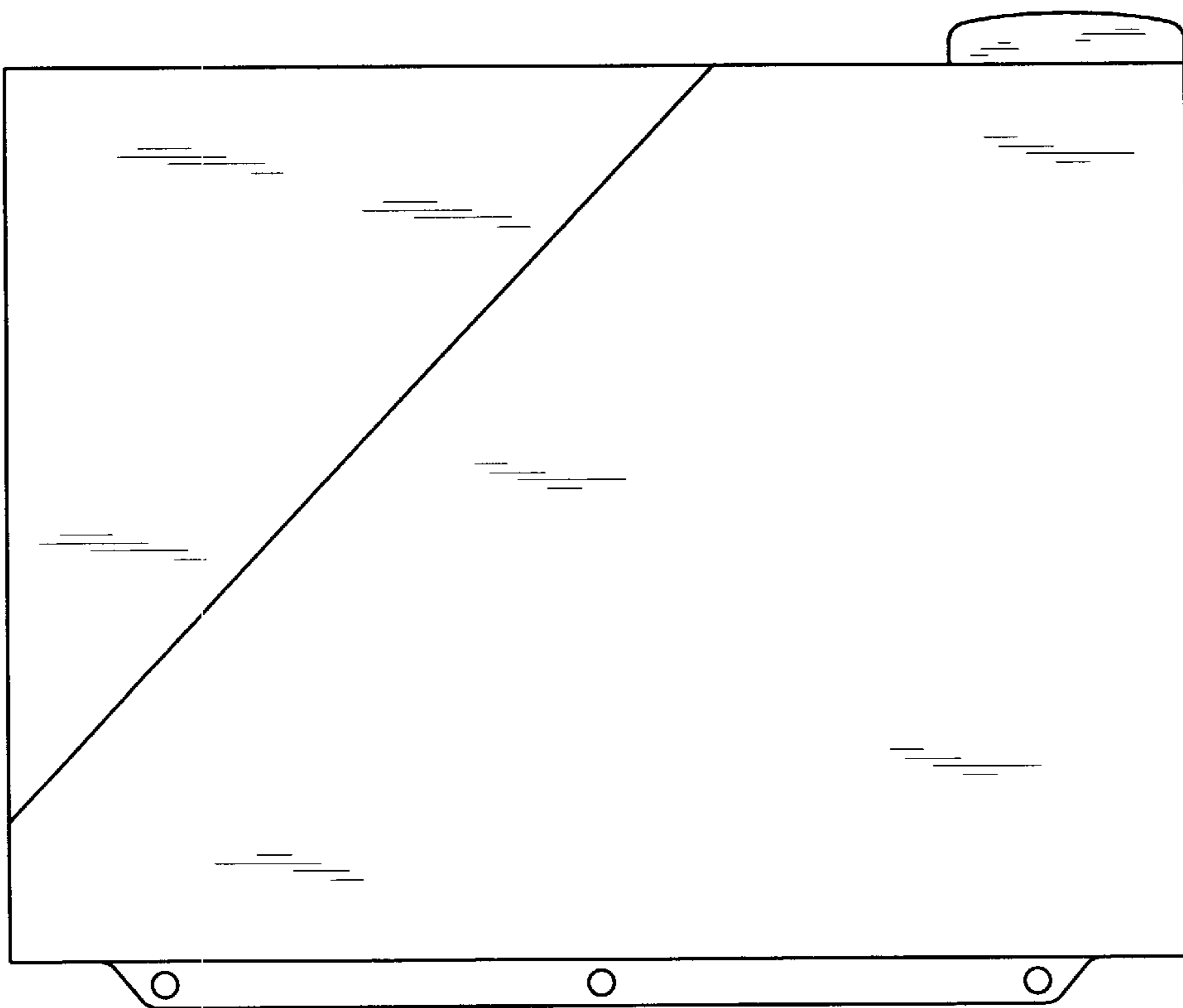
**1 Claim, 20 Drawing Sheets**



**FIG. 1**



**FIG. 3**



**FIG. 2**



**FIG. 4**



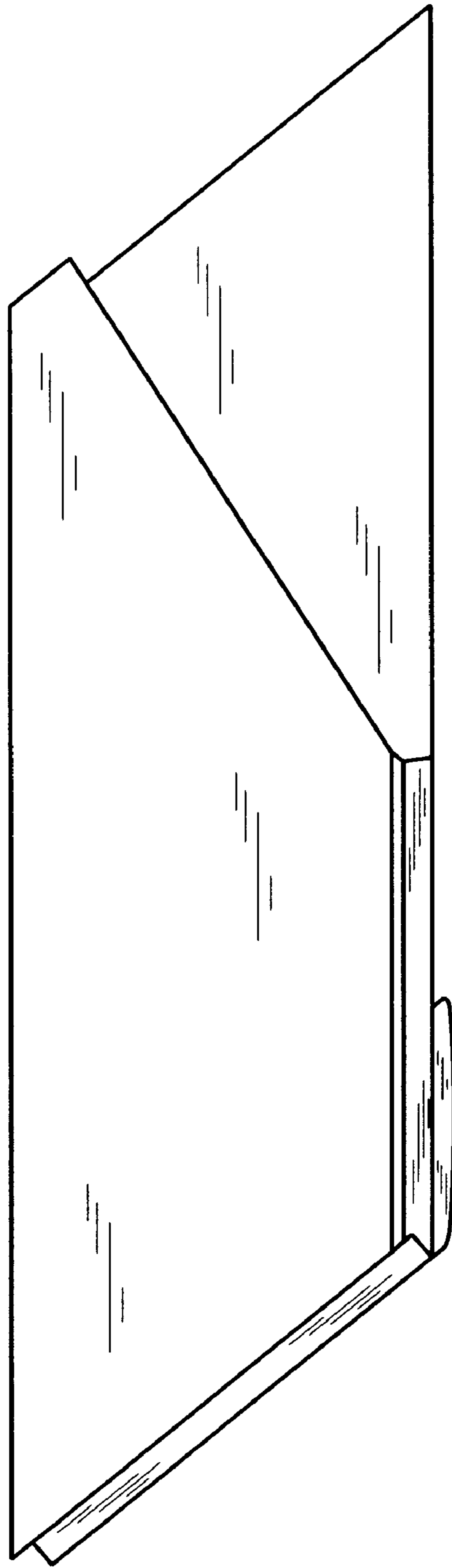
**FIG. 5**



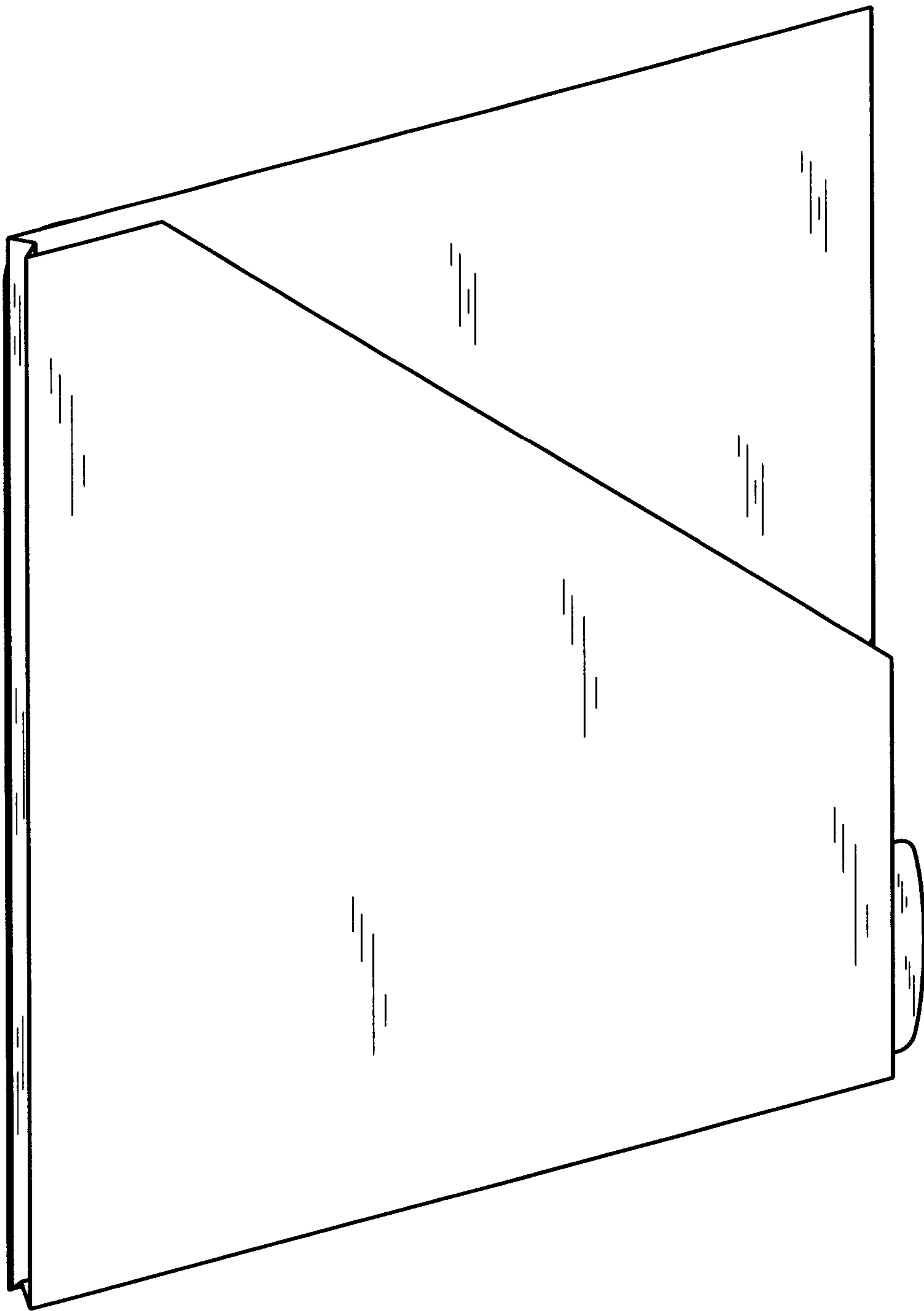
**FIG. 6**



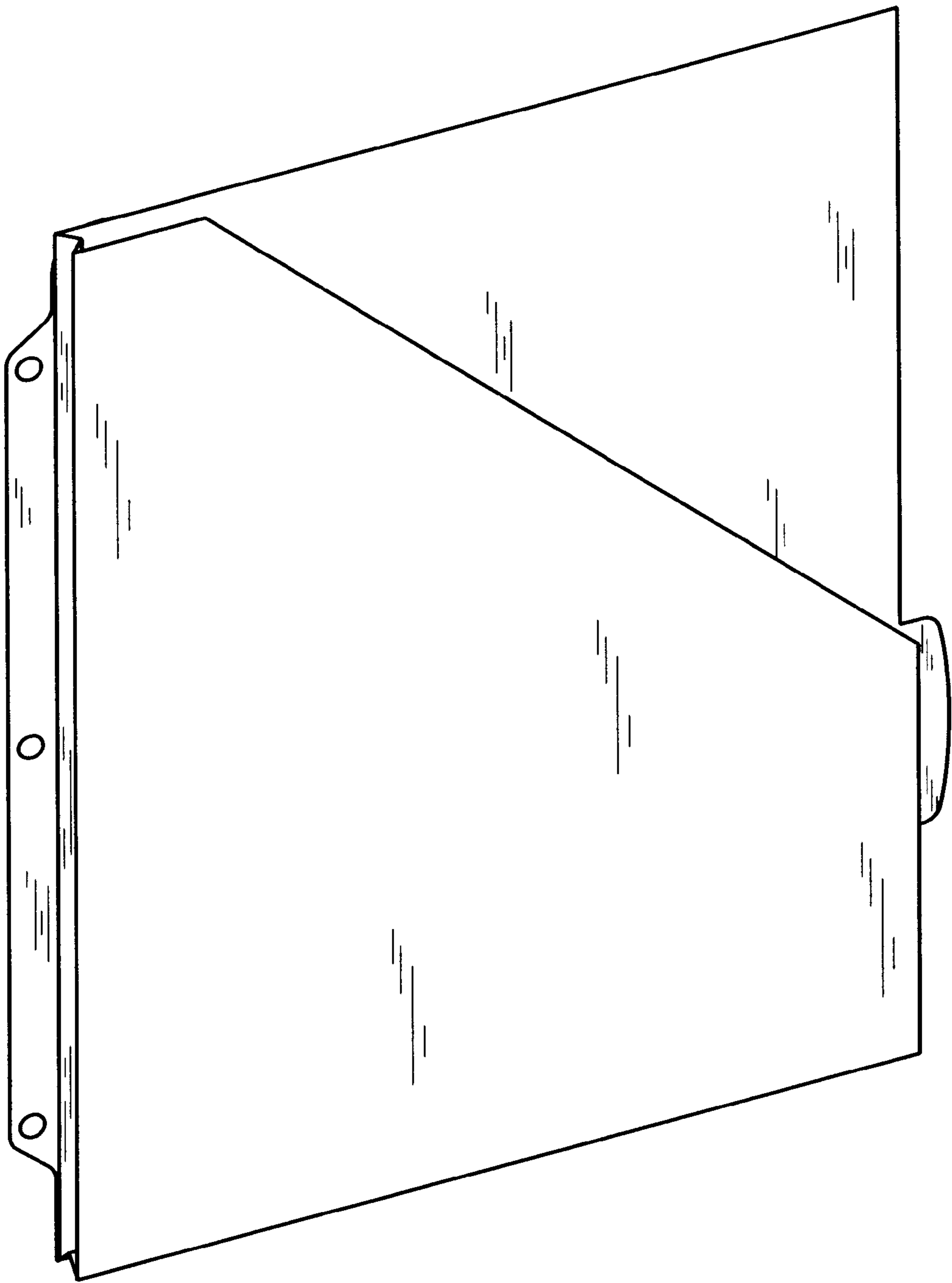
**FIG. 7**



**FIG. 8**

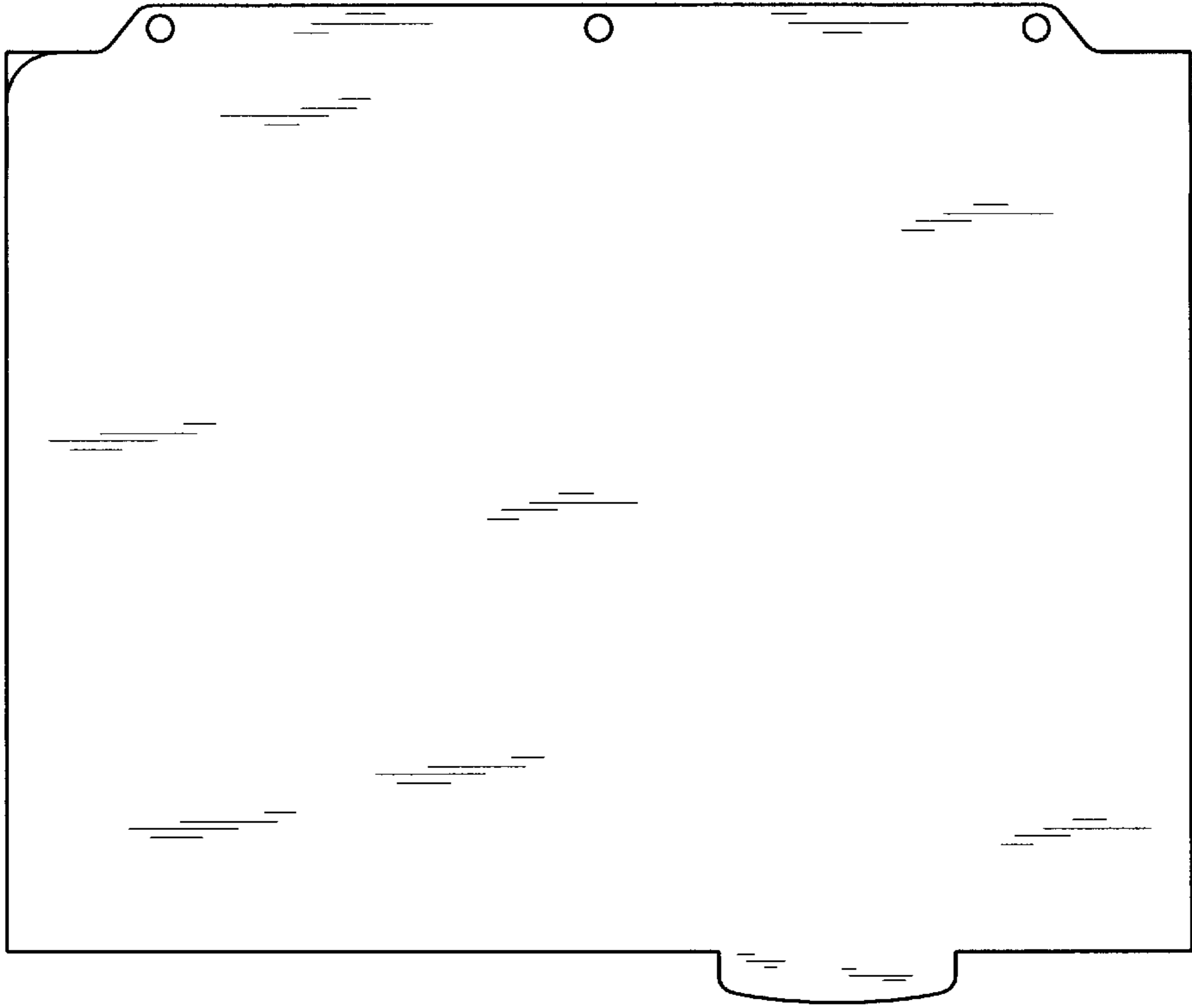


**FIG. 9**

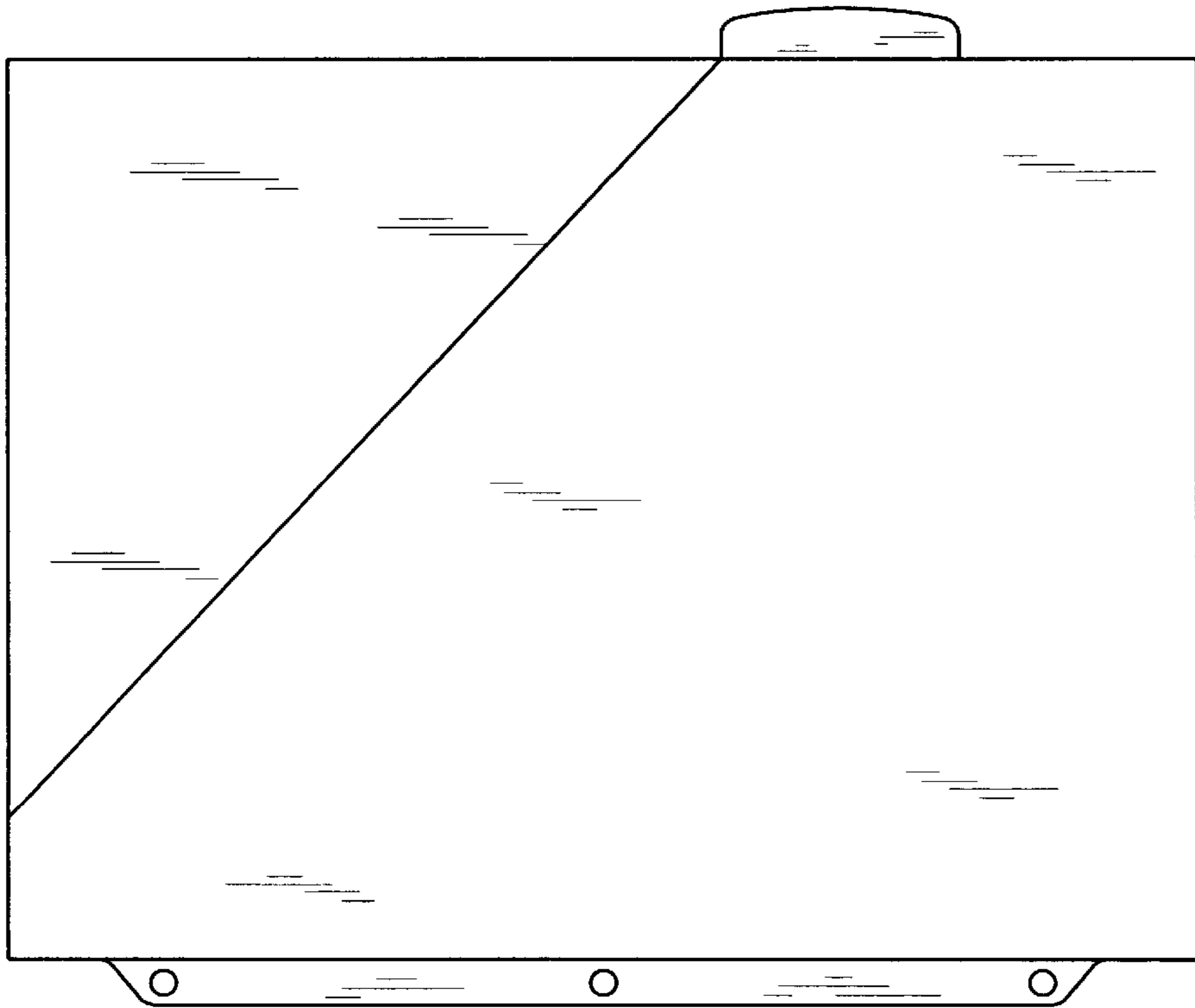


**FIG. 10**





**FIG. 11**



**FIG. 12**



**FIG. 13**



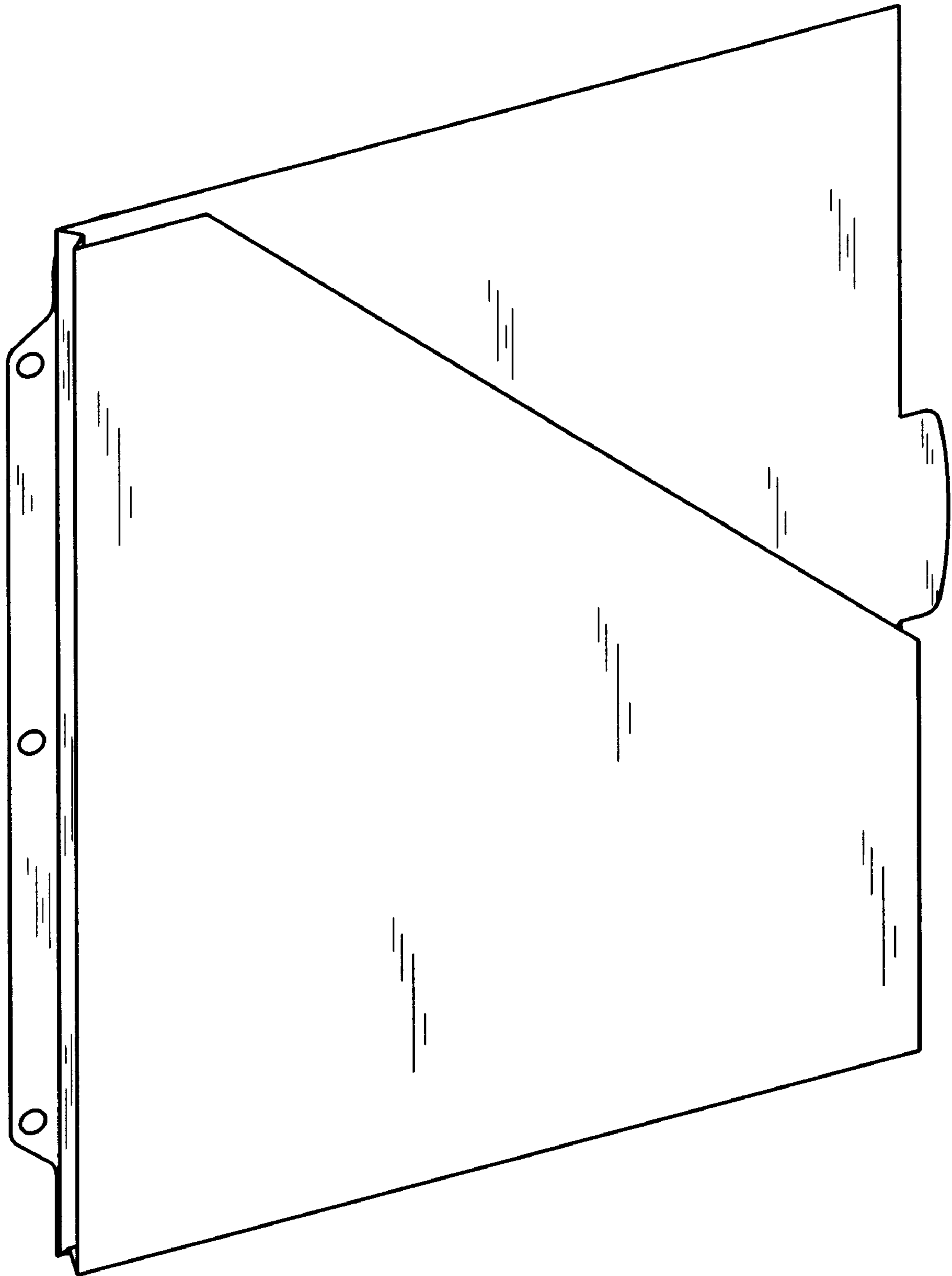
**FIG. 14**



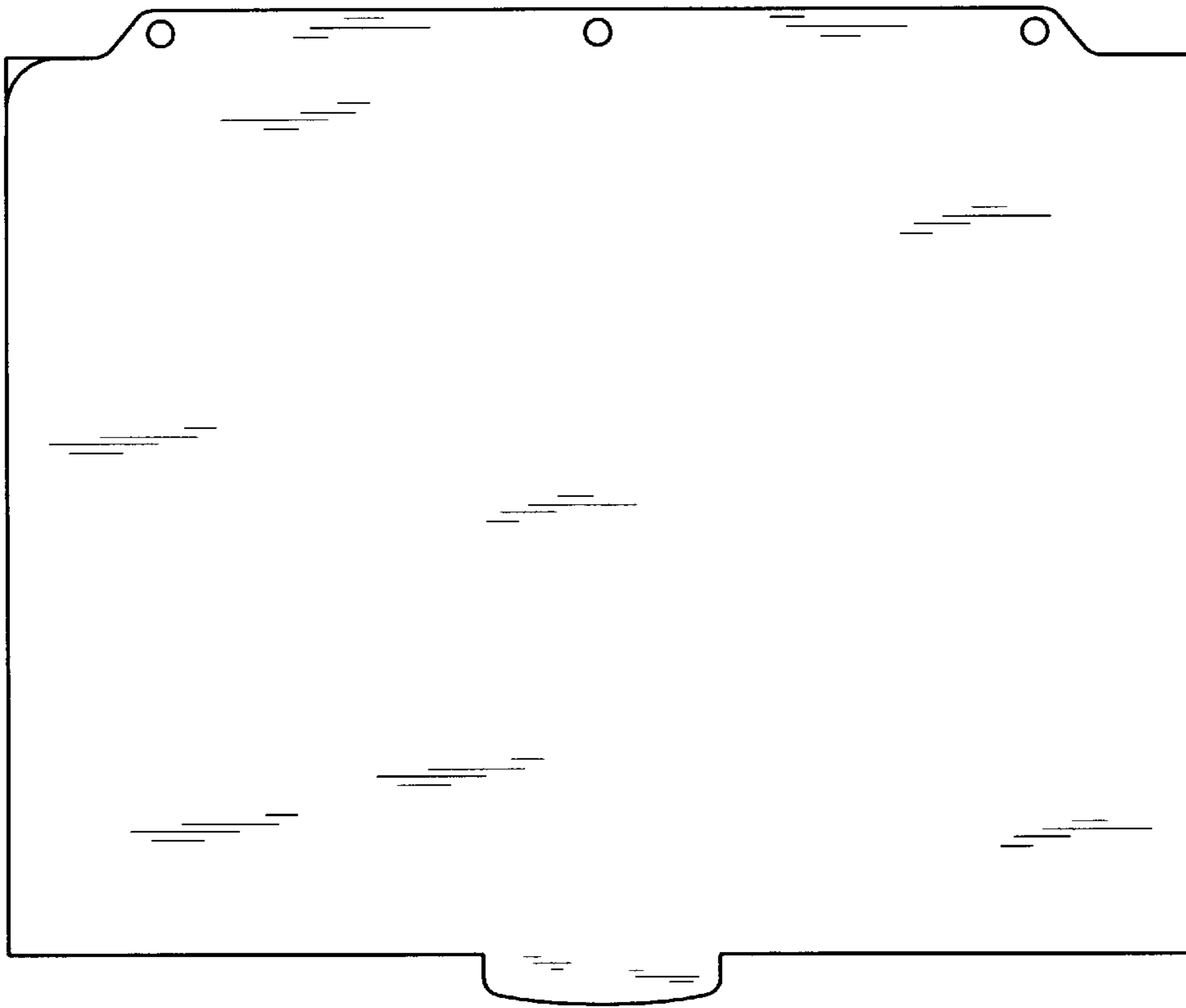
**FIG. 15**



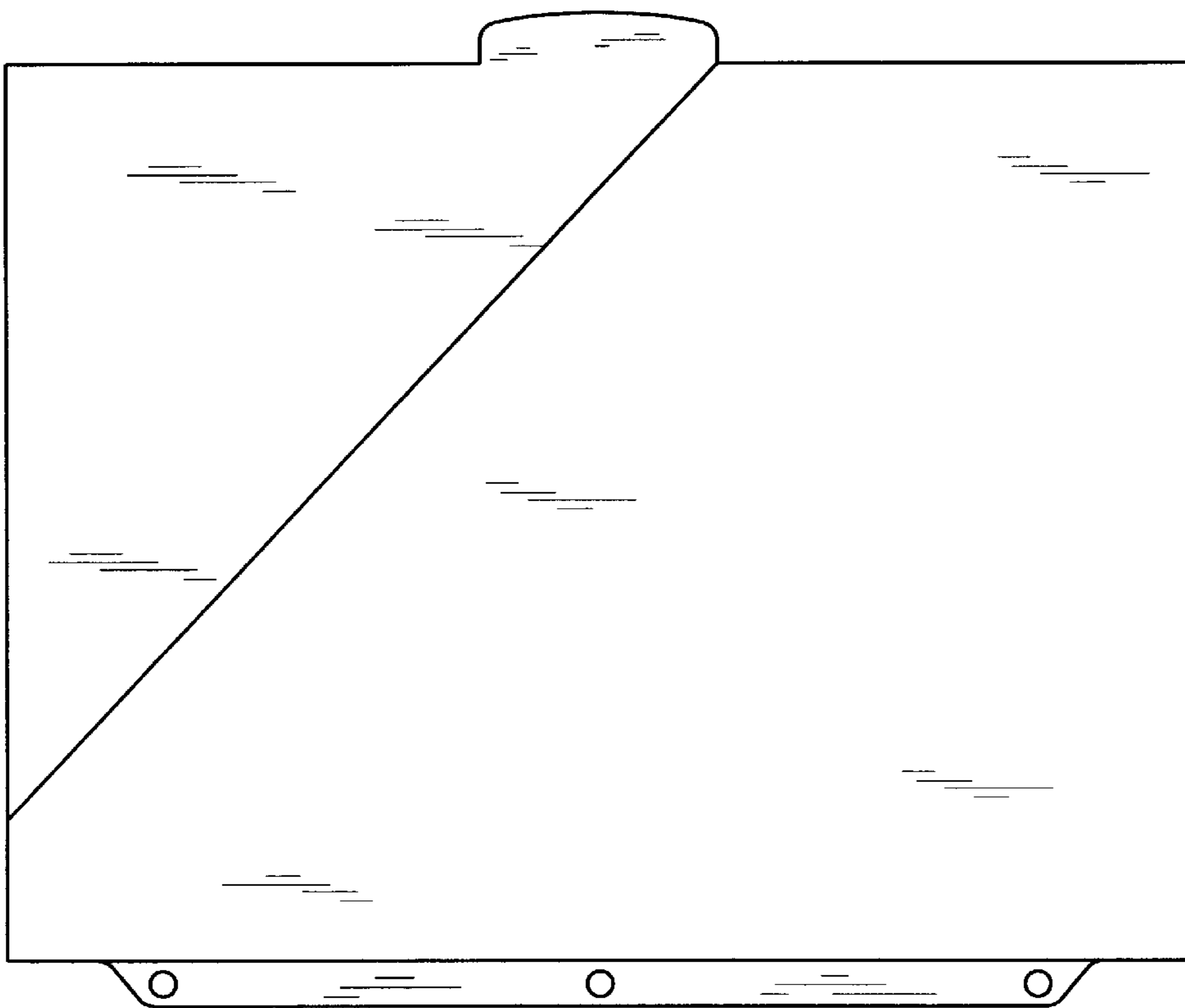
**FIG. 16**



**FIG. 17**



**FIG. 19**



**FIG. 18**



***FIG. 20***



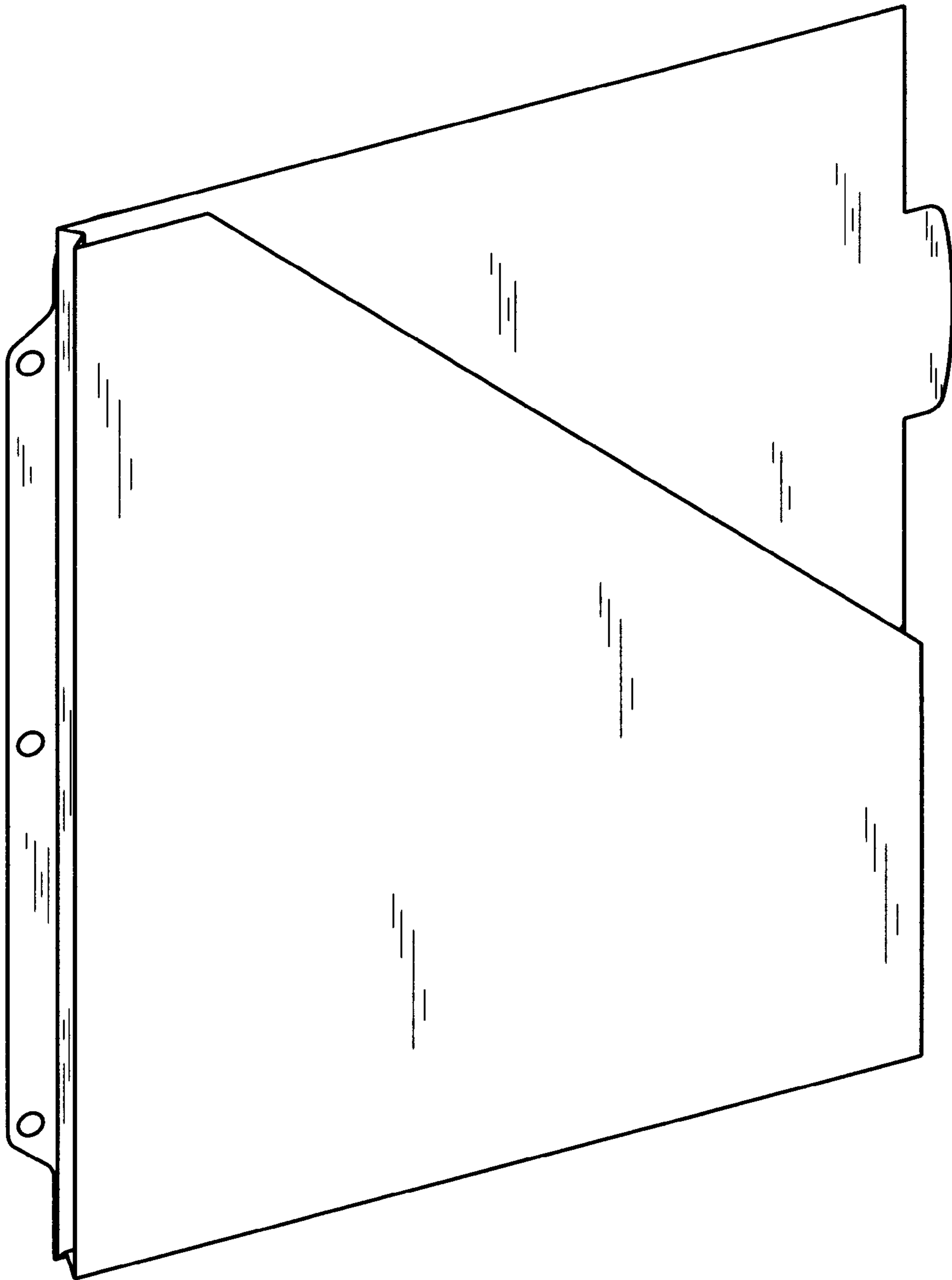
***FIG. 21***



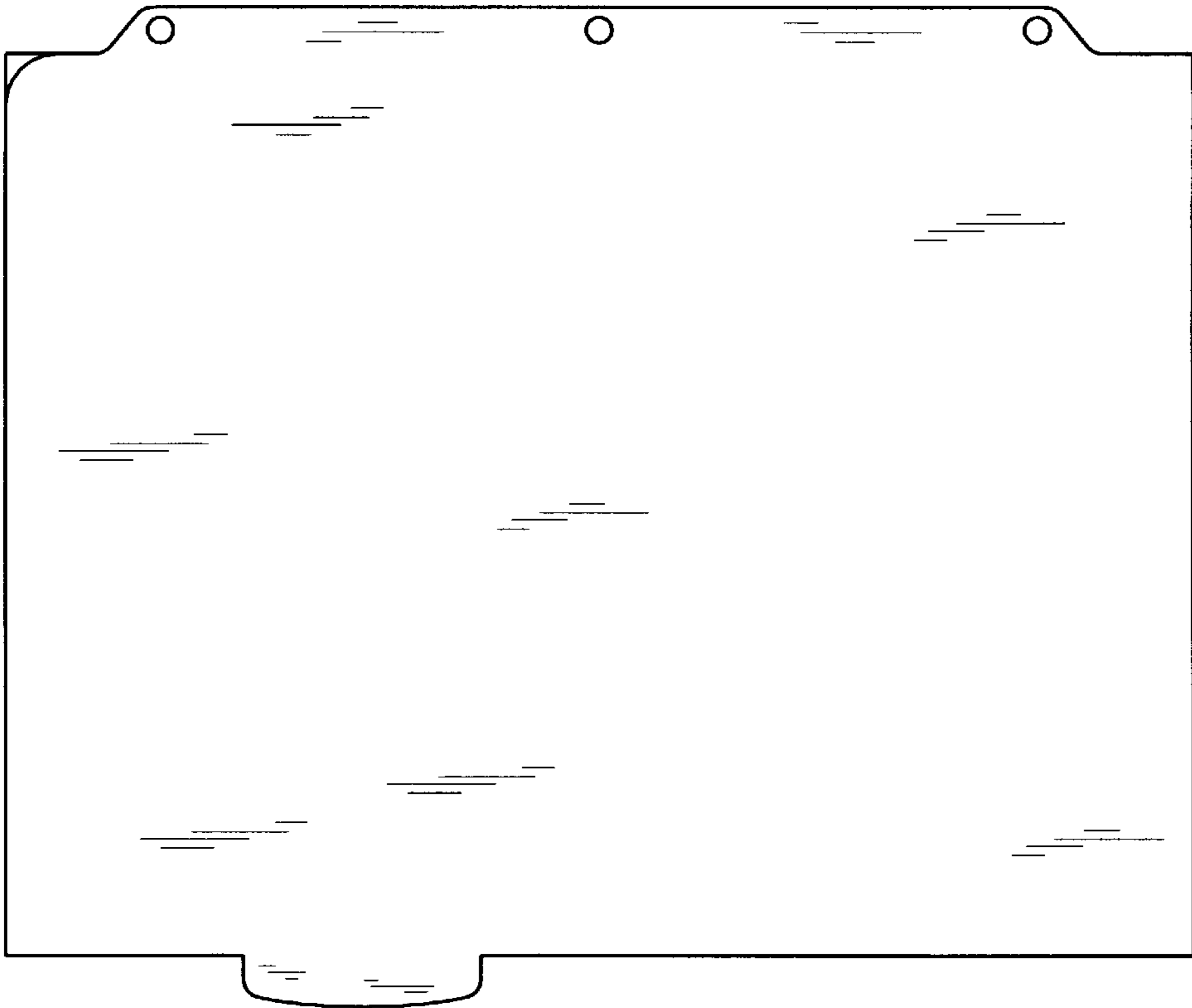
***FIG. 22***



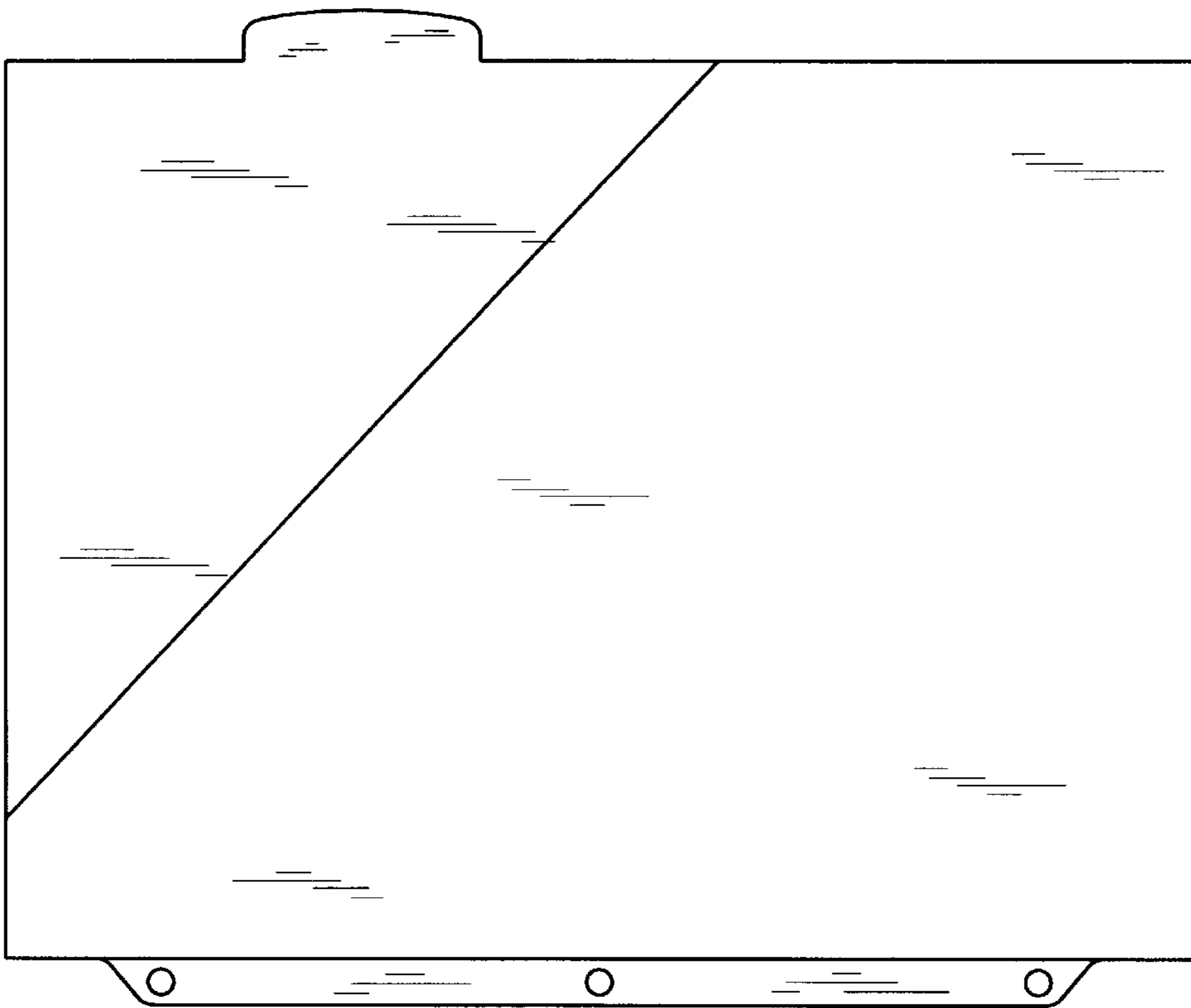
***FIG. 23***



**FIG. 24**



**FIG. 26**



**FIG. 25**



***FIG. 27***



***FIG. 28***

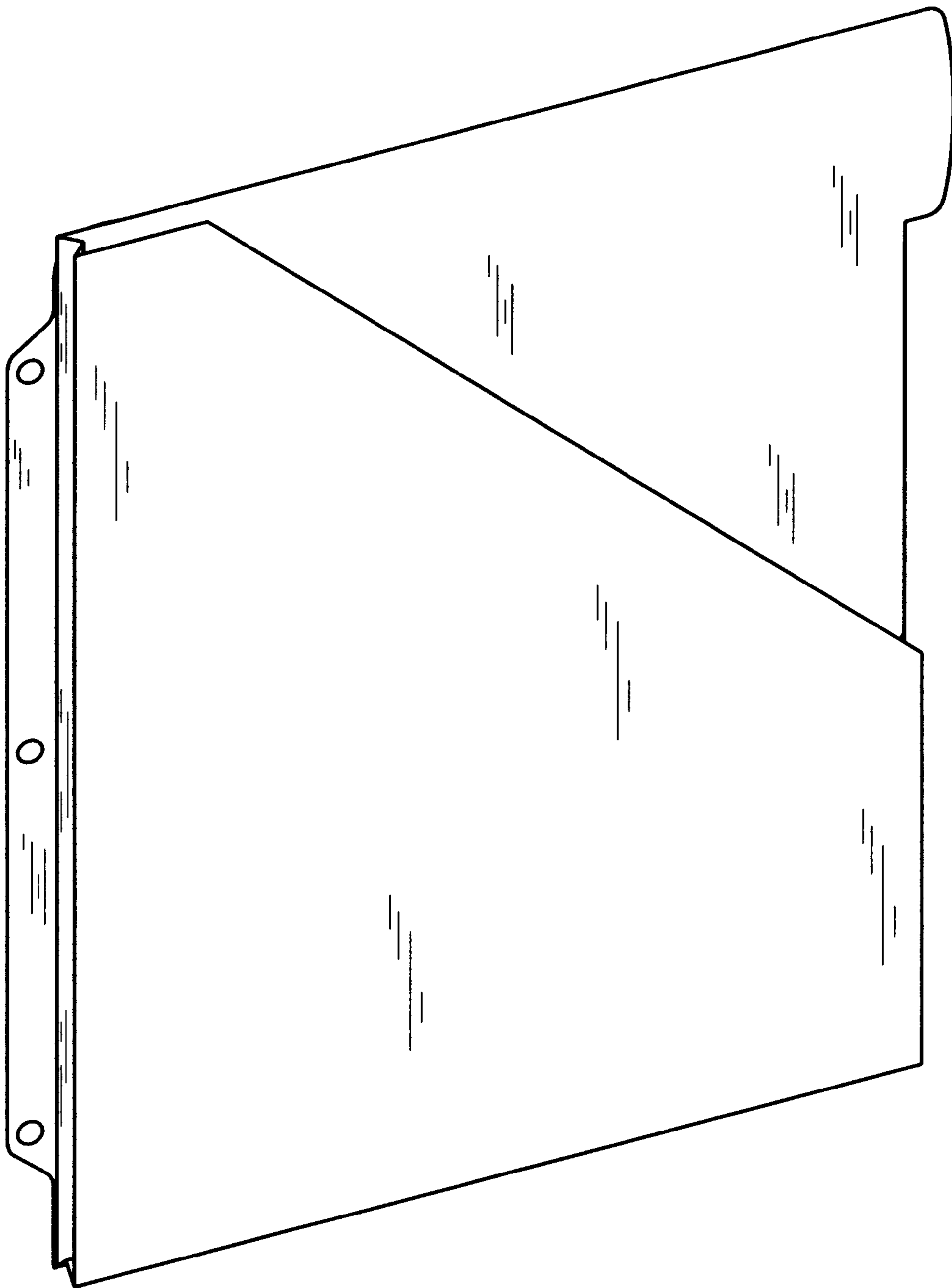


***FIG. 29***

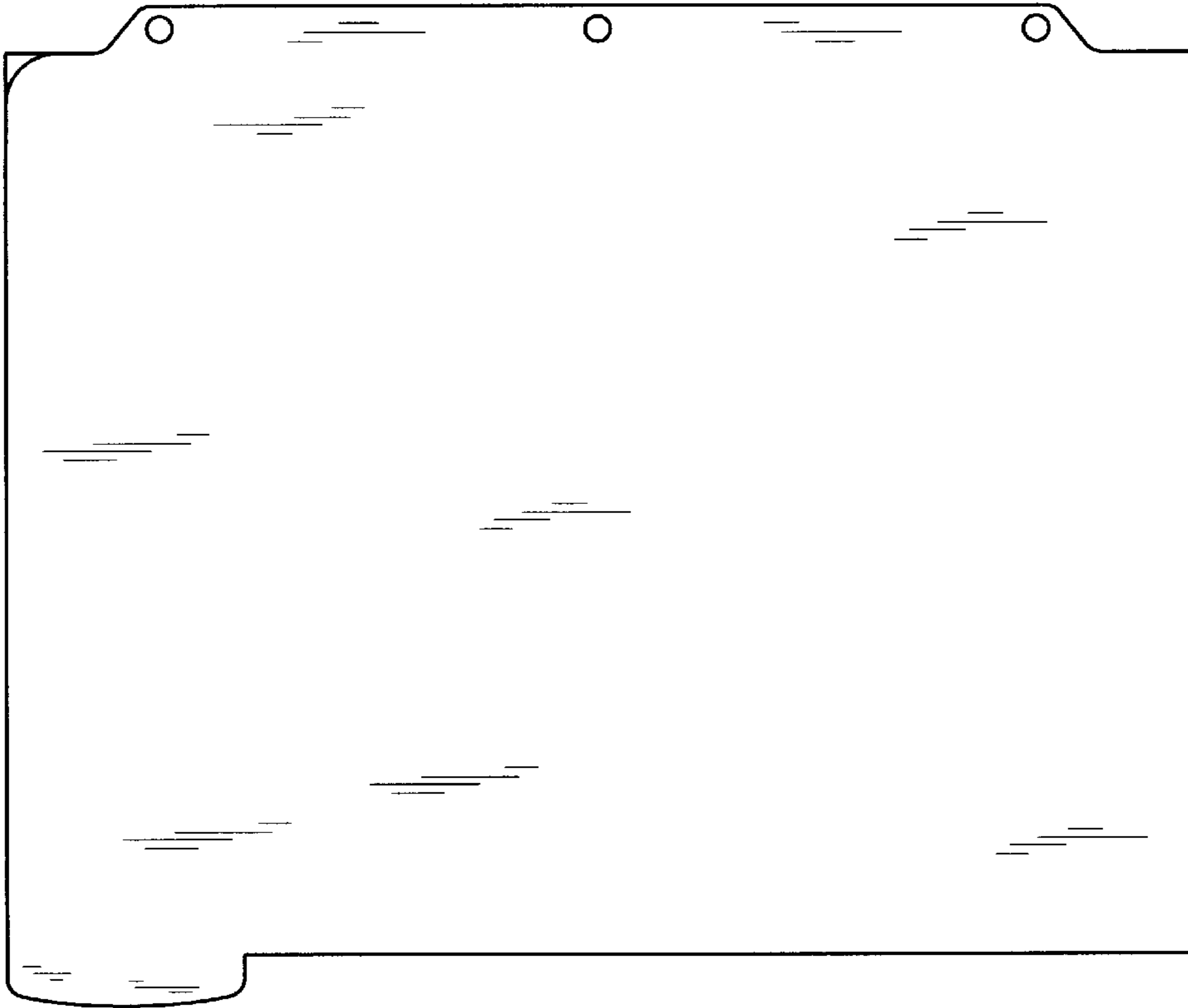


***FIG. 30***

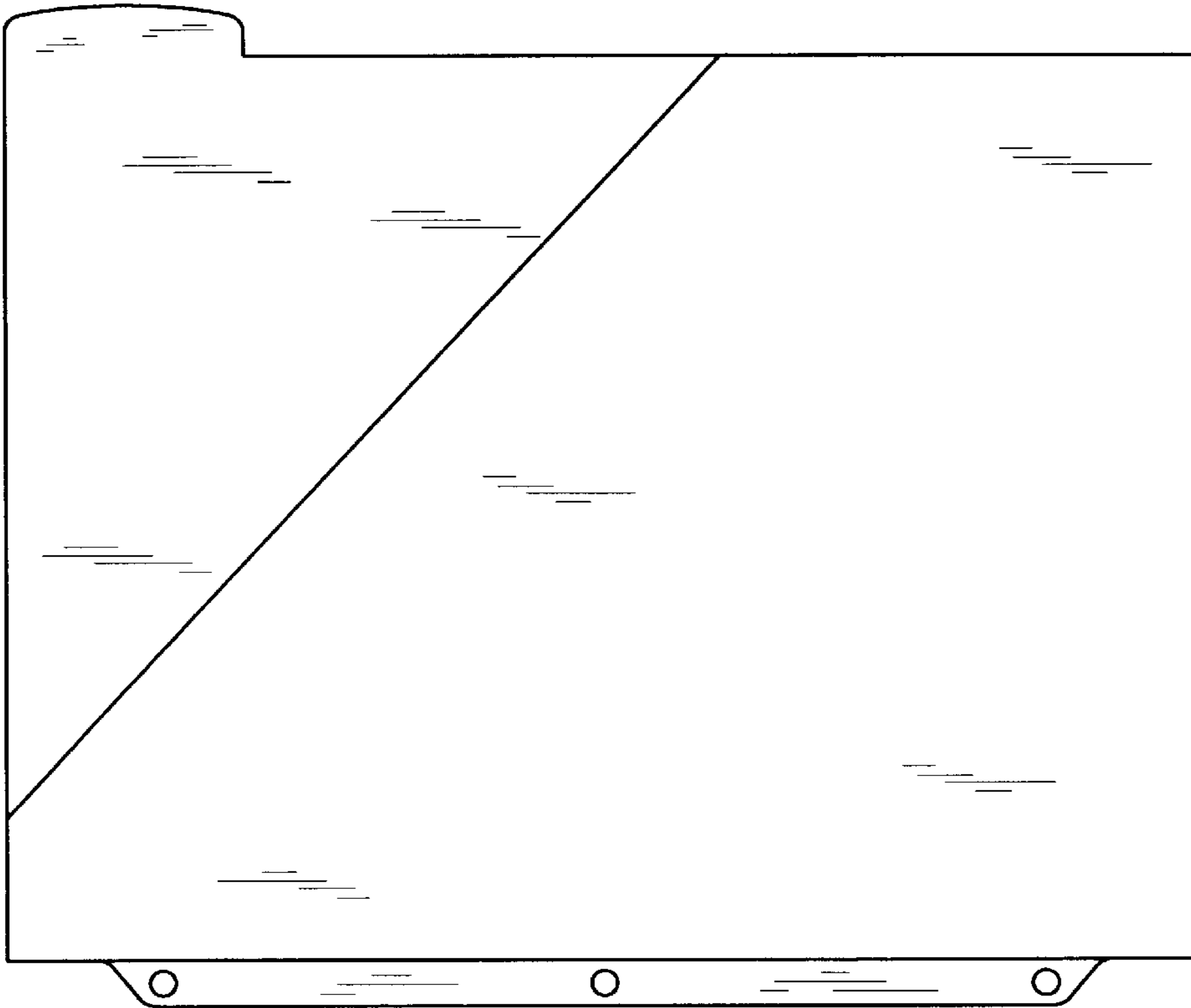




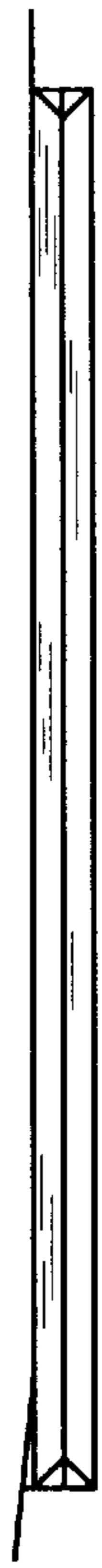
**FIG. 31**



**FIG. 33**



**FIG. 32**



***FIG. 34***



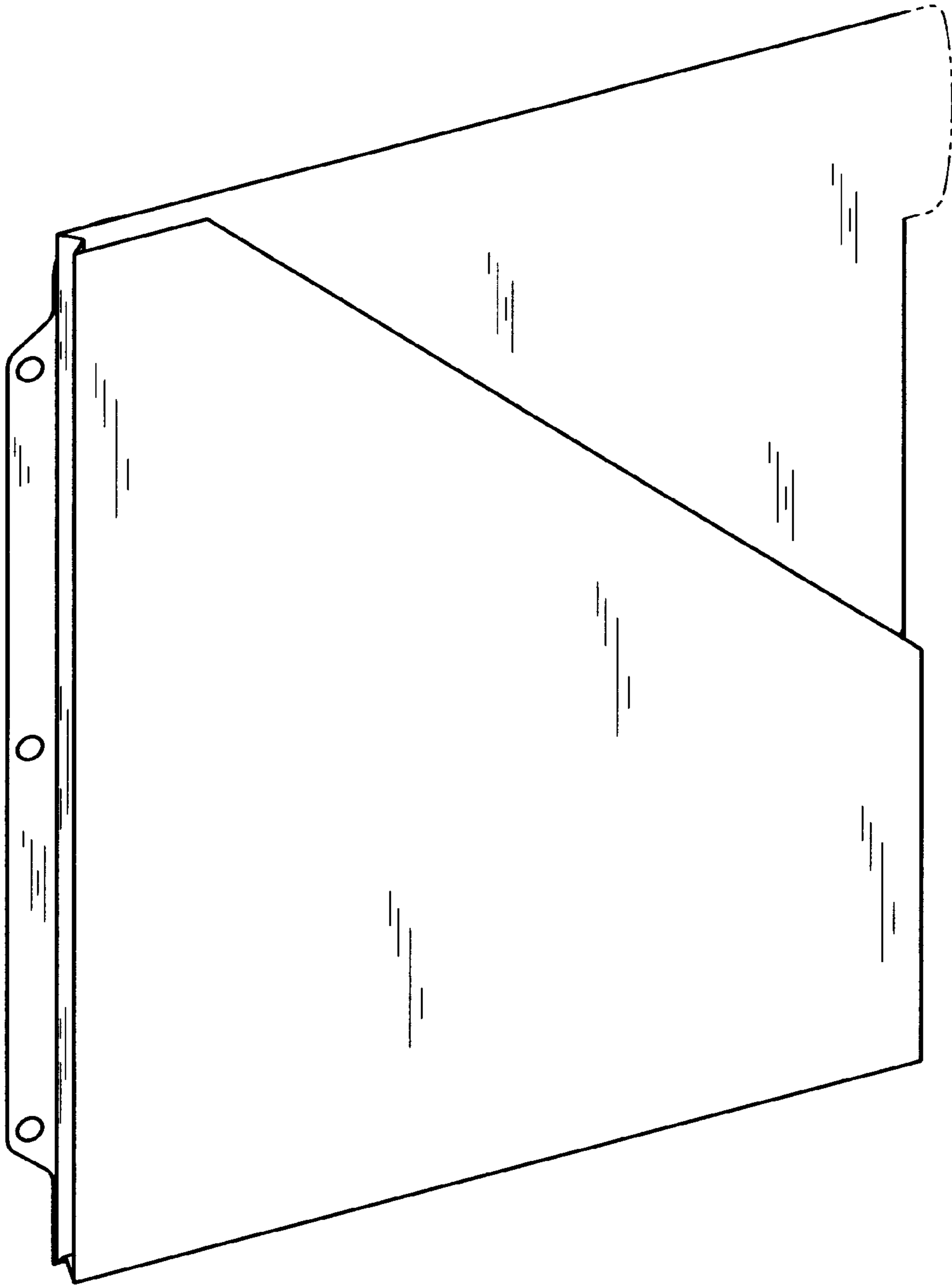
***FIG. 35***



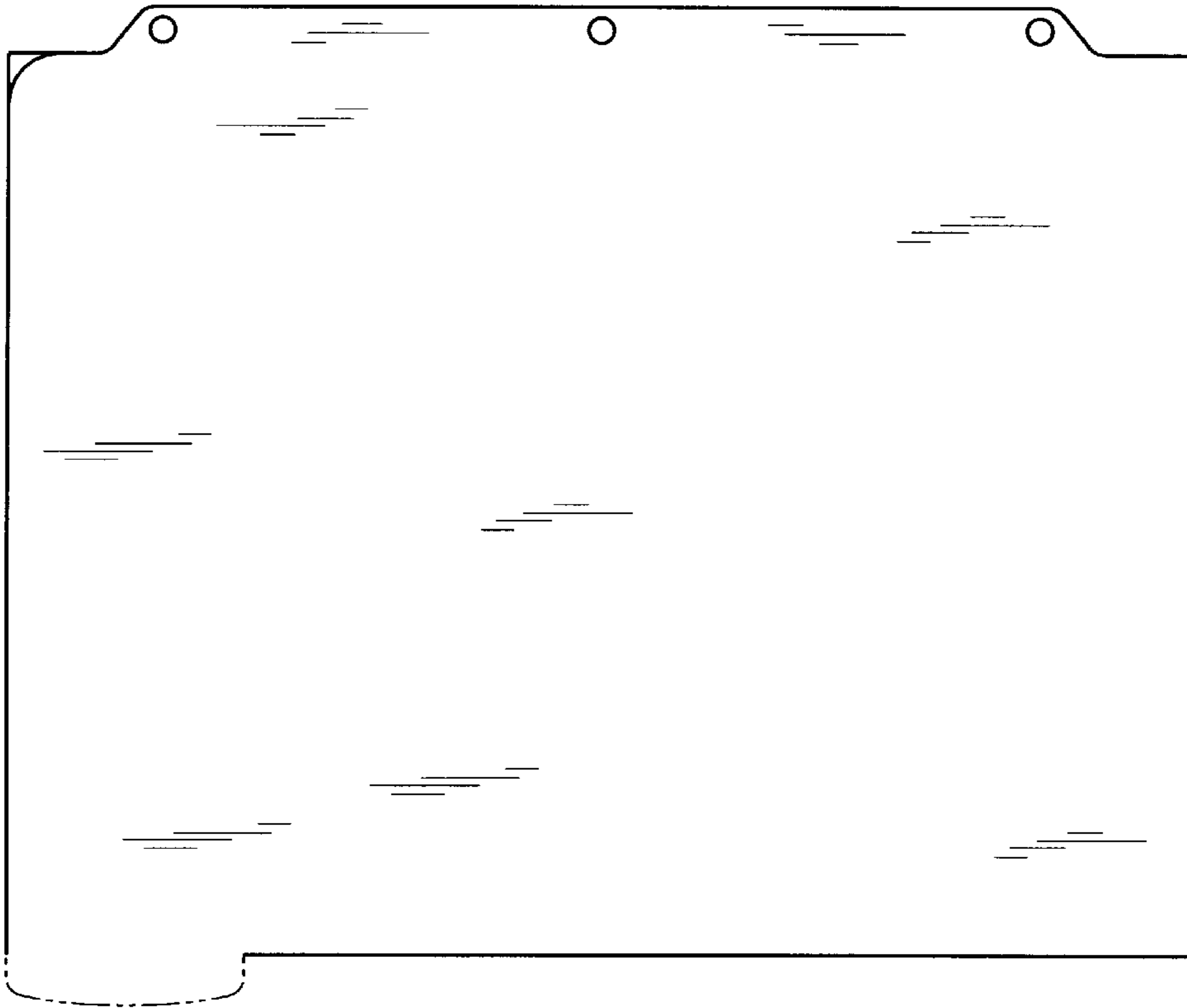
***FIG. 36***



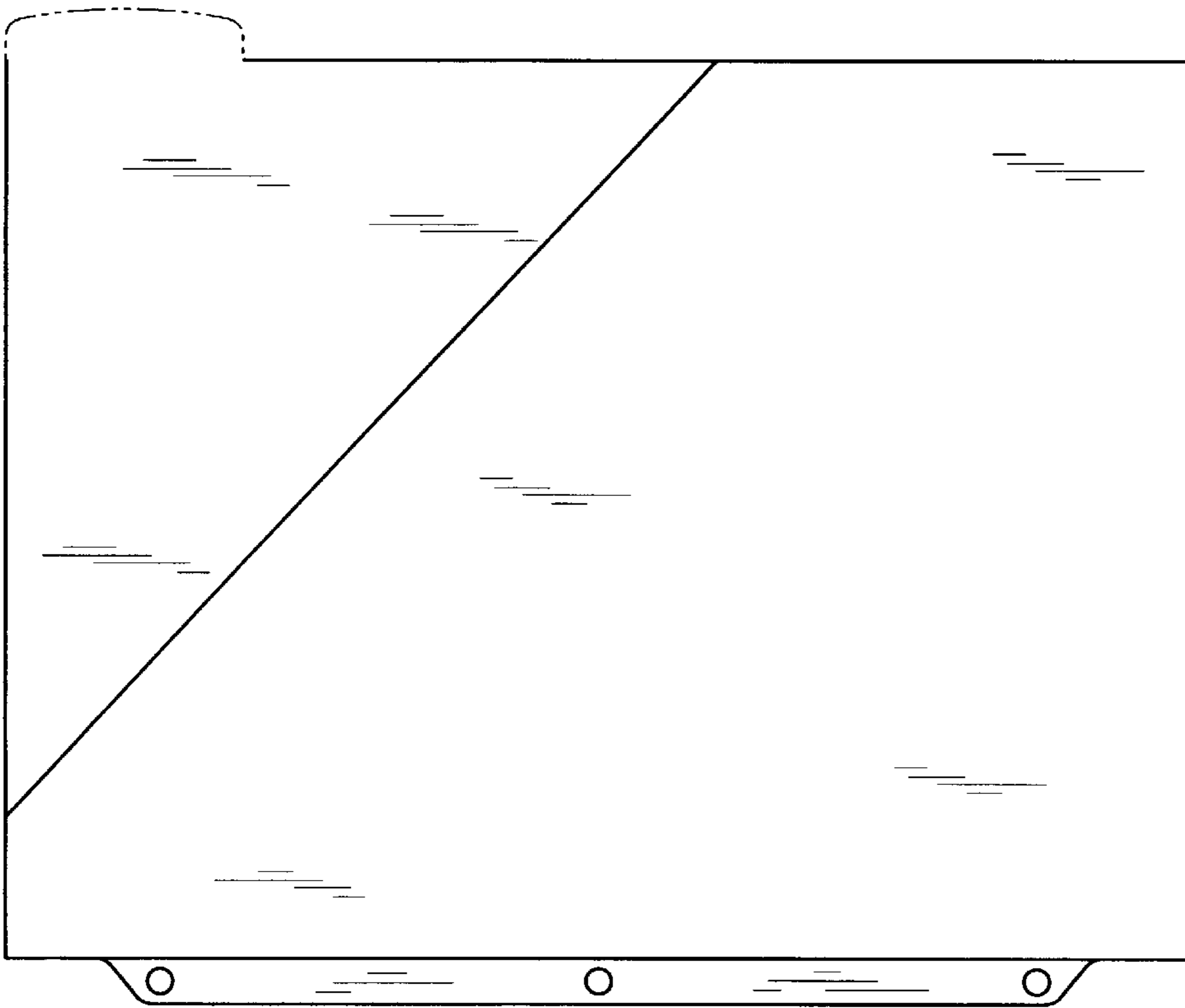
***FIG. 37***



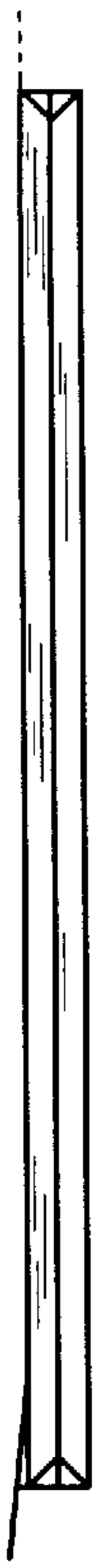
**FIG. 38**



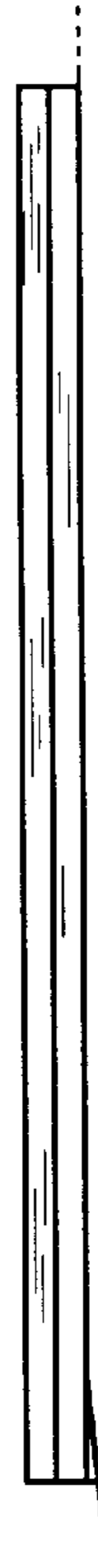
**FIG. 39**



**FIG. 40**



**FIG. 41**



**FIG. 42**



**FIG. 43**



**FIG. 44**