



US00D421046S

United States Patent [19] Popat

[11] Patent Number: **Des. 421,046**

[45] Date of Patent: **** Feb. 22, 2000**

[54] **MINISHEET LABEL ASSEMBLY**

[75] Inventor: **Ghanshyam H. Popat**, Alta Loma, Calif.

[73] Assignee: **Avery Dennison Corporation**, Pasadena, Calif.

[**] Term: **14 Years**

[21] Appl. No.: **29/082,401**

[22] Filed: **Jan. 21, 1998**

5,407,718 4/1995 Popat et al. .
 5,421,942 6/1995 Hoffman .
 5,423,139 6/1995 Feldman 283/105 X
 5,593,749 1/1997 Instance 428/40.1
 5,601,682 2/1997 Longtin 283/81 X

OTHER PUBLICATIONS

Avery Laser Run Product Literature, Published Prior to 1992.
 Avery 1994 Consumer Advertising.

Primary Examiner—Martie K. Holtje
Attorney, Agent, or Firm—Oppenheimer Wolff & Donnelly LLP

Related U.S. Application Data

[63] Continuation of application No. 08/343,023, Nov. 24, 1994, Pat. No. 5,997,683, and application No. 08/063,213, May 17, 1993, Pat. No. 5,389,414.

[51] **LOC (7) Cl.** **19-01**
 [52] **U.S. Cl.** **D19/1; D19/2**
 [58] **Field of Search** D19/1, 2, 33, 65, D19/99, 100; 283/101, 103, 105, 109, 117, 81; 428/40.1, 42.3, 43; 156/248

CLAIM

[57] The ornamental design for a minisheet label assembly, as shown.

DESCRIPTION

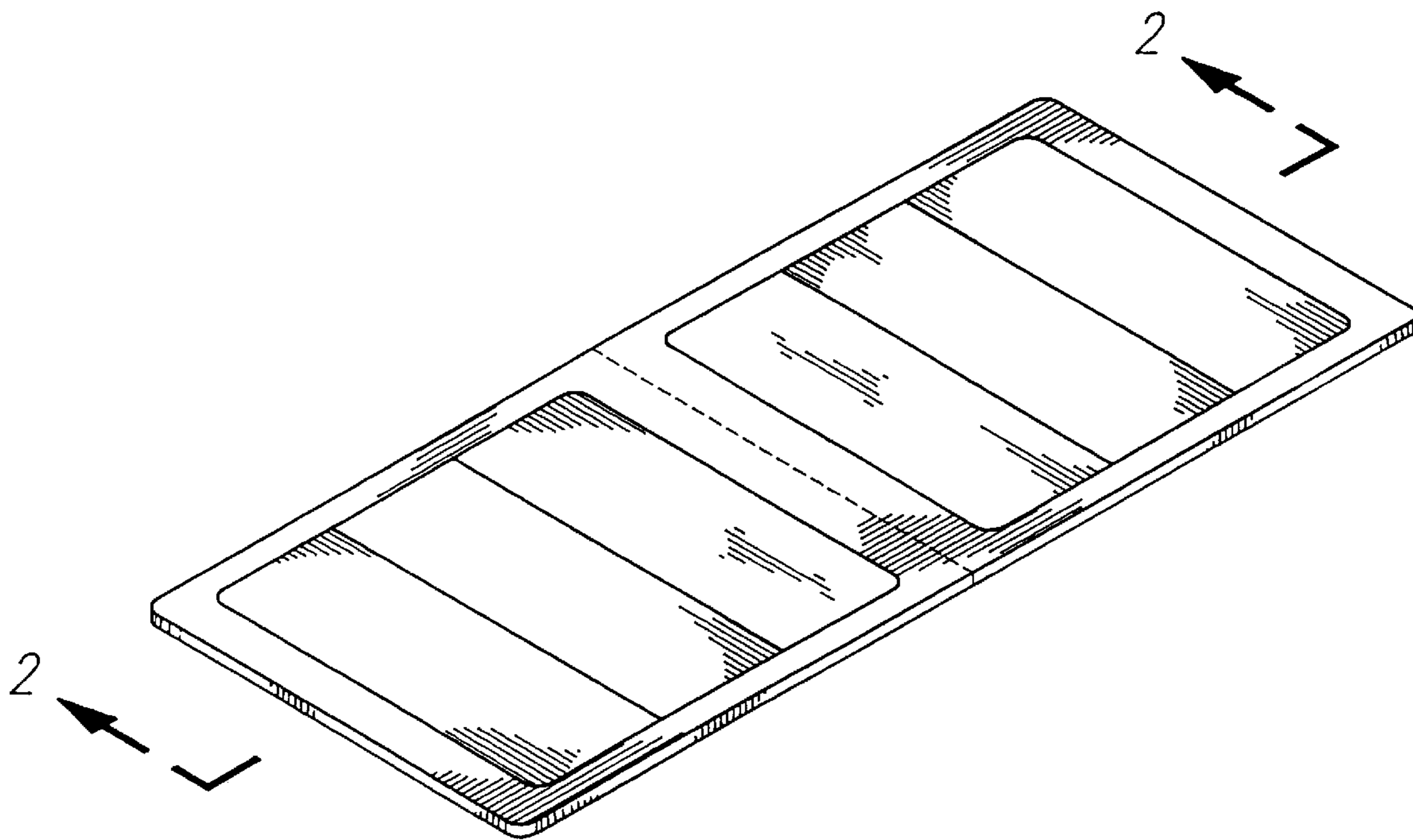
FIG. 1 is a top perspective view of an embodiment of the minisheet label assembly of the present invention; FIG. 2 is a sectional view of the minisheet label assembly taken along section 2—2 of FIG. 1; FIG. 3 is a top view of the minisheet label assembly of FIG. 1; FIG. 4 is a lengthwise side view of the minisheet label assembly of FIG. 3, both of the lengthwise sides having the same appearance; FIG. 5 is an end view of the minisheet label assembly of FIG. 3, both of the ends having the same appearance; and, FIG. 6 is a bottom view of the minisheet label assembly of FIG. 3.

References Cited

U.S. PATENT DOCUMENTS

2,304,787	12/1942	Avery .	
4,204,706	5/1980	Blum et al.	283/81
4,214,024	7/1980	Jacobson .	
4,661,189	4/1987	Voy et al.	156/248
4,878,613	11/1989	Badger et al. .	
5,132,915	7/1992	Goodman .	
5,217,258	6/1993	Sanderson 283/105	
5,382,055	1/1995	Mertens et al. .	
5,389,414	2/1995	Popat 428/40.1	

1 Claim, 2 Drawing Sheets



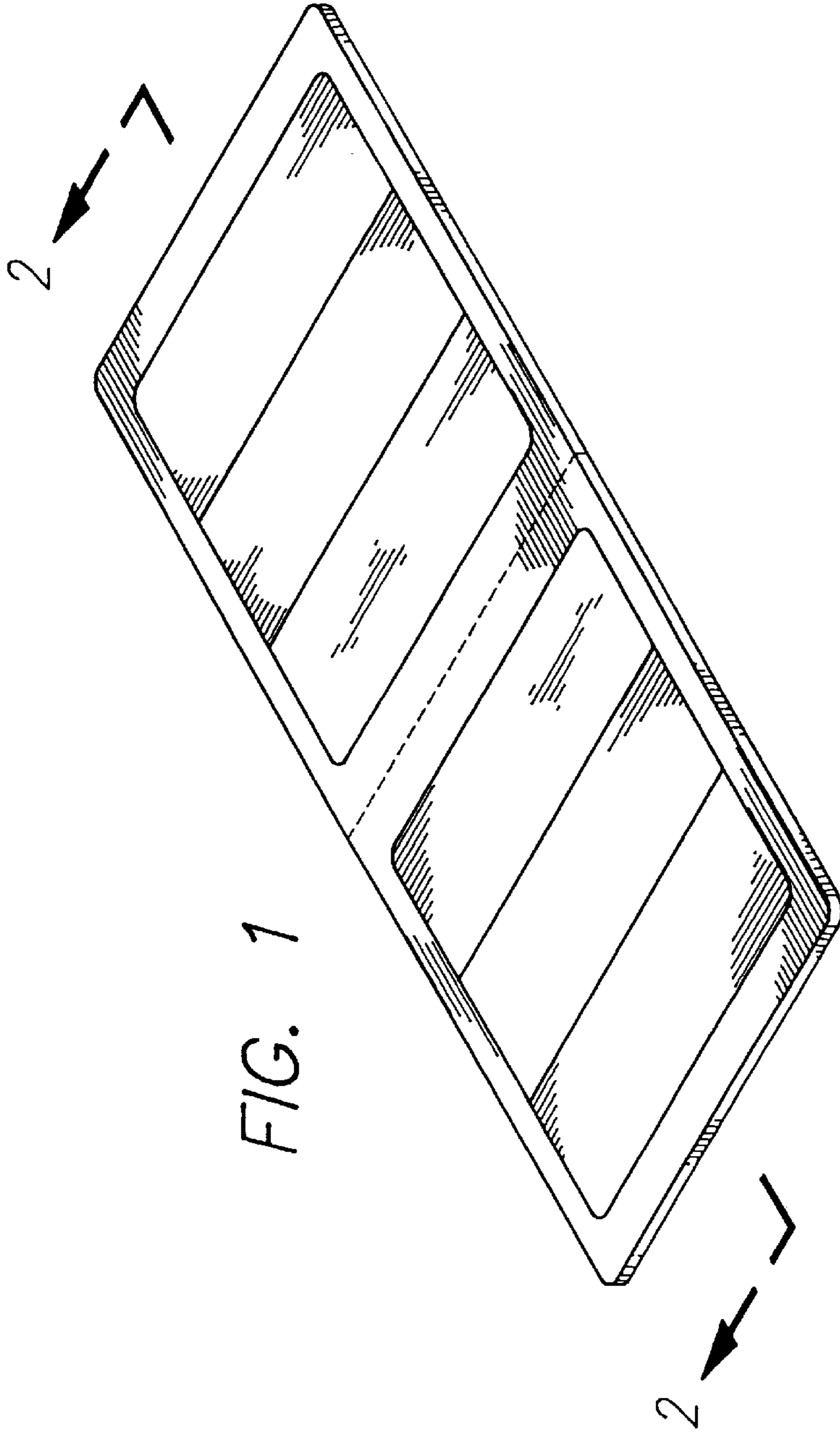


FIG. 3

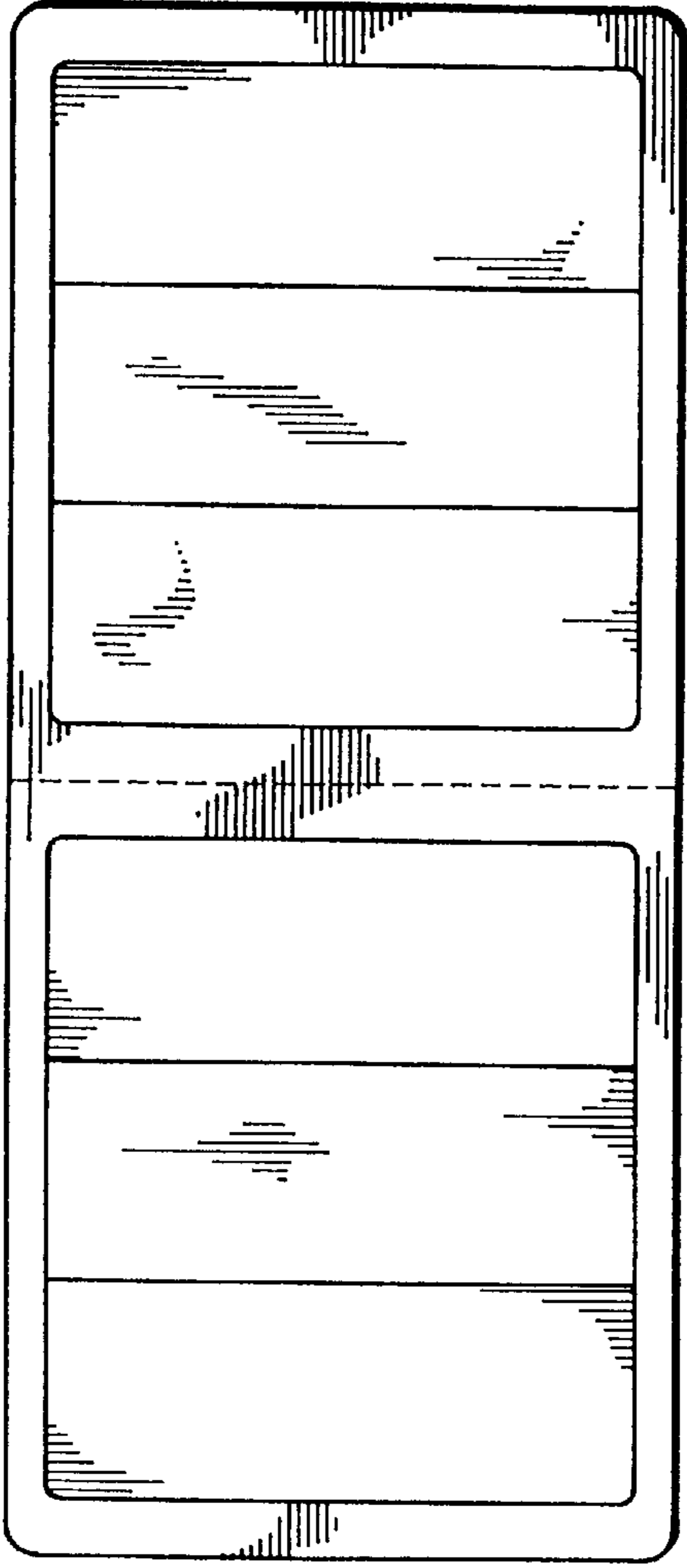


FIG. 5



FIG. 4



FIG. 6

