



US00D421045S

United States Patent [19] Quijano

[11] Patent Number: **Des. 421,045**

[45] Date of Patent: **** Feb. 22, 2000**

[54] **PRINTING MACHINE**

[75] Inventor: **David Quijano**, Victor, N.Y.

[73] Assignee: **Xerox Corporation**, Stamford, Conn.

[**] Term: **14 Years**

[21] Appl. No.: **29/096,127**

[22] Filed: **Nov. 5, 1998**

[51] **LOC (7) Cl.** **14-02**

[52] **U.S. Cl.** **D18/55; D18/36**

[58] **Field of Search** D18/50, 54-55,
D18/36-37; 400/613, 613.1-613.4, 691-694,
690.1-690.4

[56] **References Cited**

U.S. PATENT DOCUMENTS

D. 278,152	3/1985	Hara et al.	D18/36
D. 292,592	11/1987	Kosako	D18/36
D. 296,906	7/1988	Burrows et al.	D18/55
D. 322,980	1/1992	Mckinnon, Jr. et al.	D18/50
D. 325,392	4/1992	Kusenbergl	D18/54

D. 339,151	9/1993	Ratzlaff	D18/36
D. 339,373	9/1993	Gassett et al.	D18/50
D. 350,978	9/1994	Minakawa	D18/50
D. 355,925	2/1995	Saunders et al.	D18/36
D. 373,377	9/1996	Fetheroff	D18/50
D. 386,202	11/1997	Takada	D18/55
D. 410,675	6/1999	Ohashi	D18/36

Primary Examiner—Cathy Anne MacCormac
Attorney, Agent, or Firm—John S. Wagley; Andrew D. Ryan

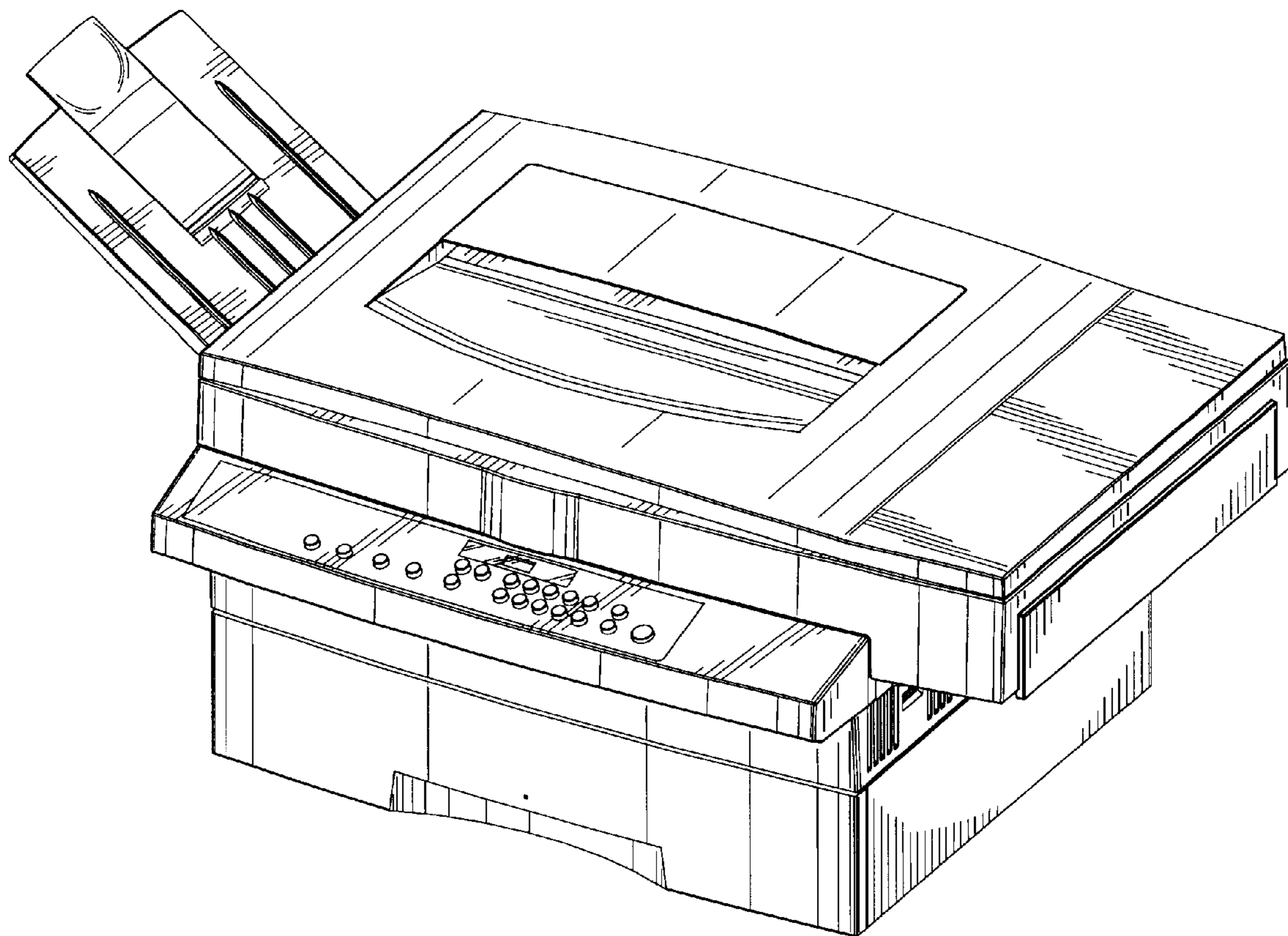
[57] **CLAIM**

The ornamental design for a printing machine, as shown and described.

DESCRIPTION

FIG. 1 is a perspective view of a printing machine showing our new design;
FIG. 2 is a front elevational view thereof;
FIG. 3 is right side elevational view thereof;
FIG. 4 is rear elevational view thereof;
FIG. 5 is left side elevational view thereof; and,
FIG. 6 is a top plan view thereof.

1 Claim, 6 Drawing Sheets



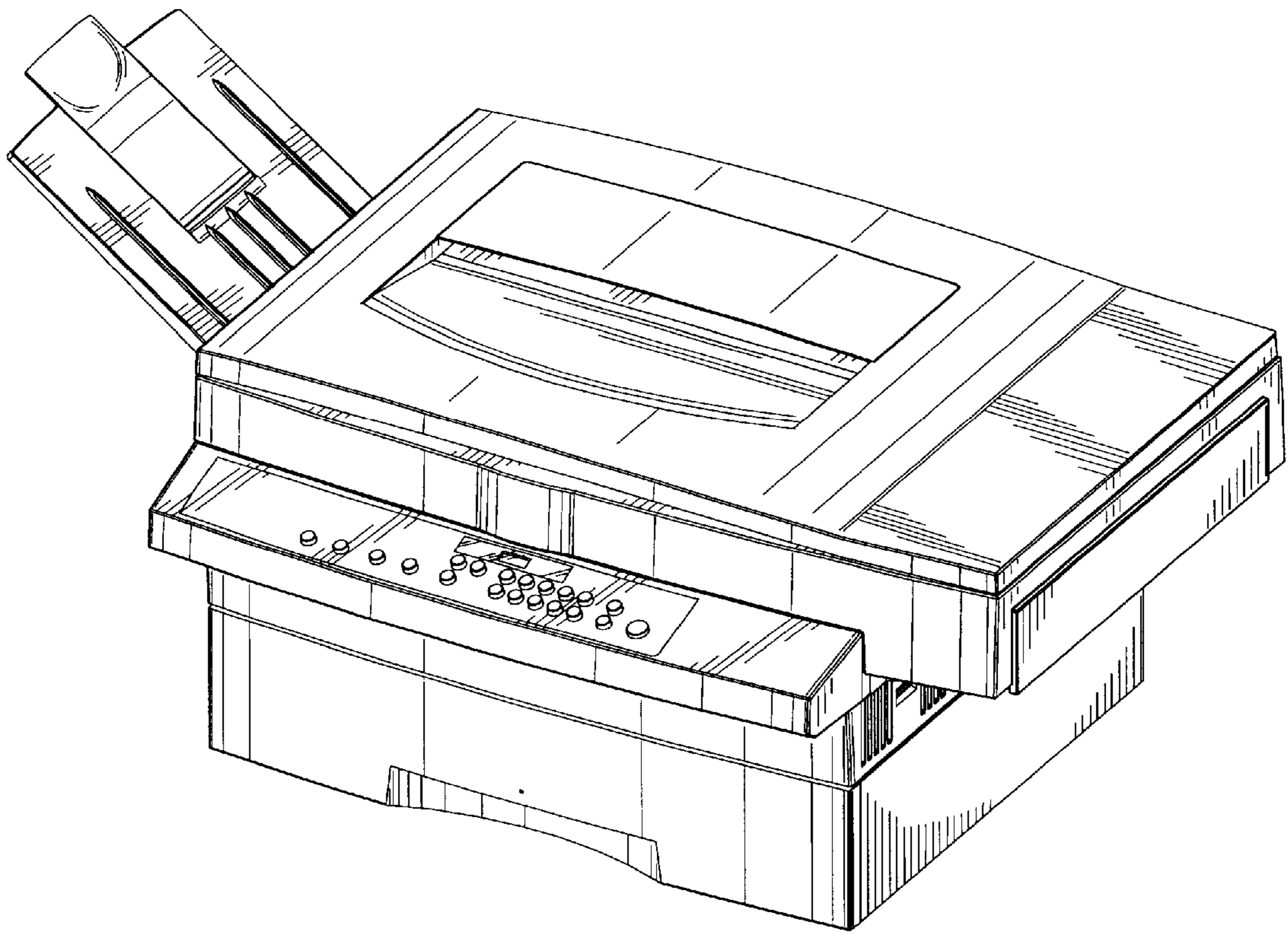


FIG. 1

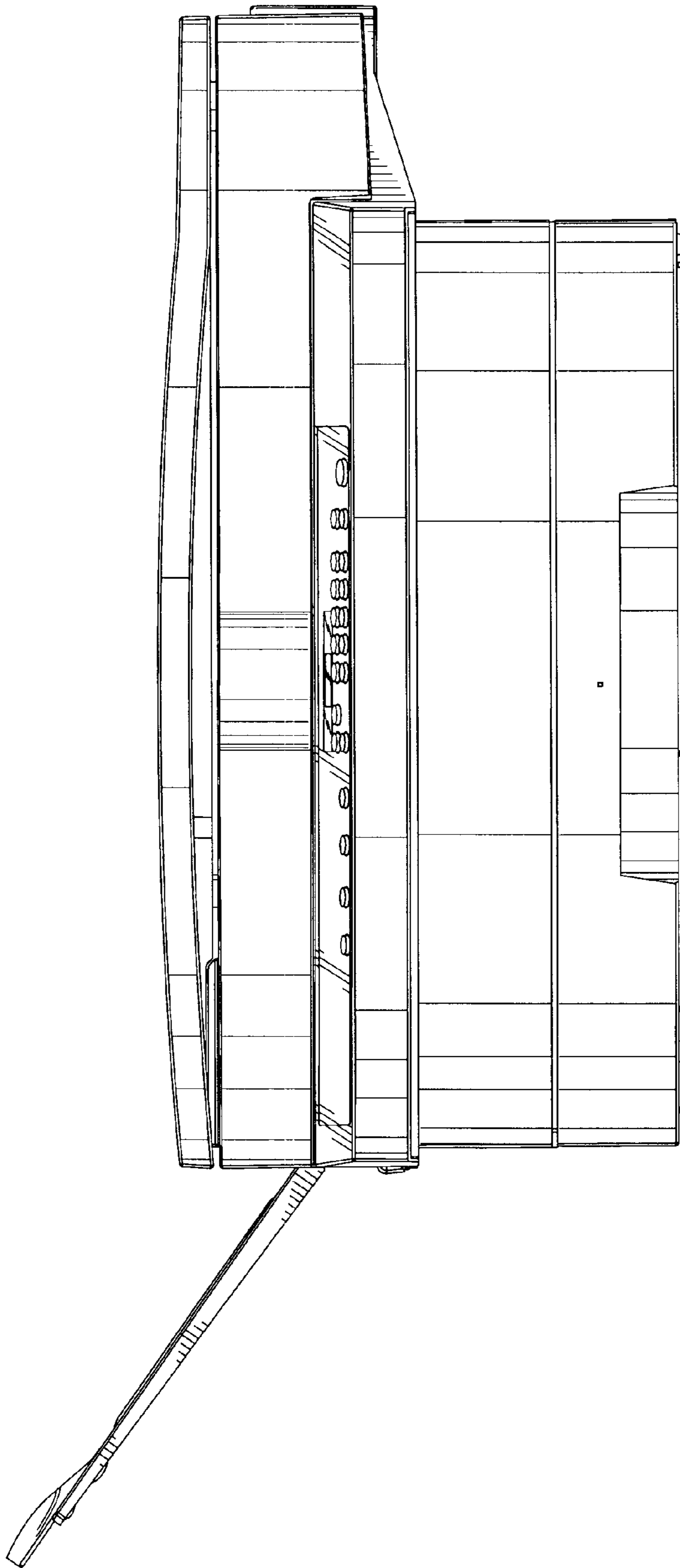


FIG. 2

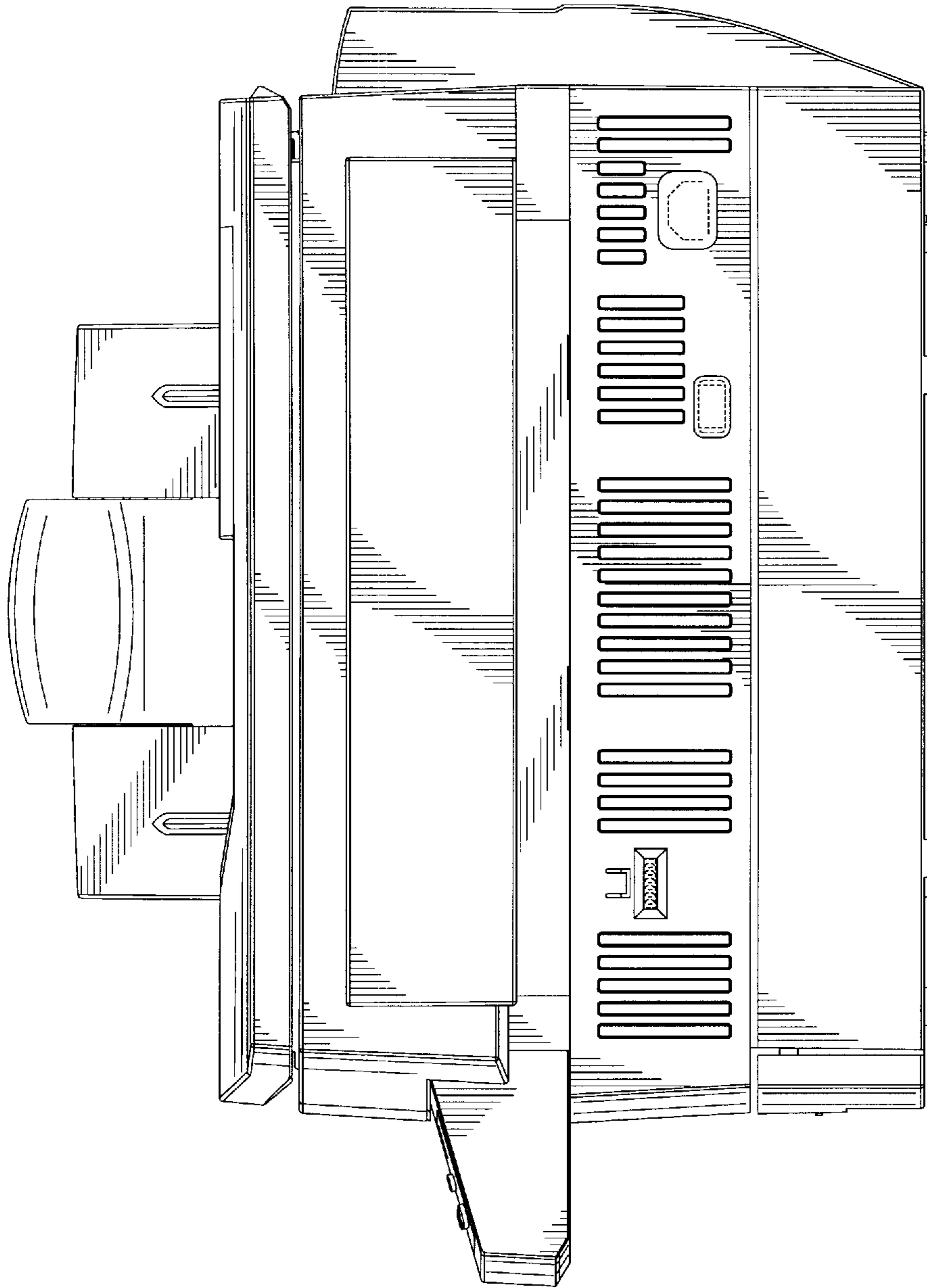


FIG. 3

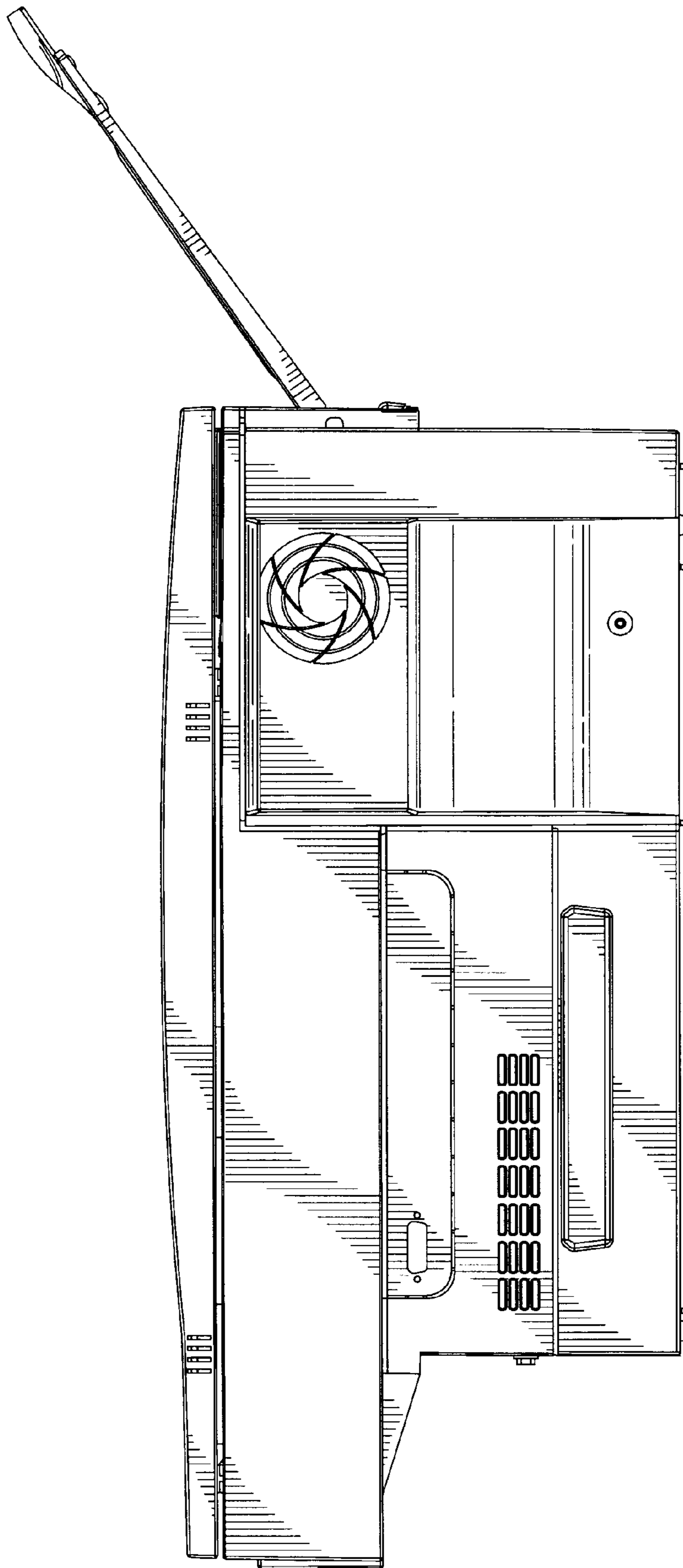


FIG. 4

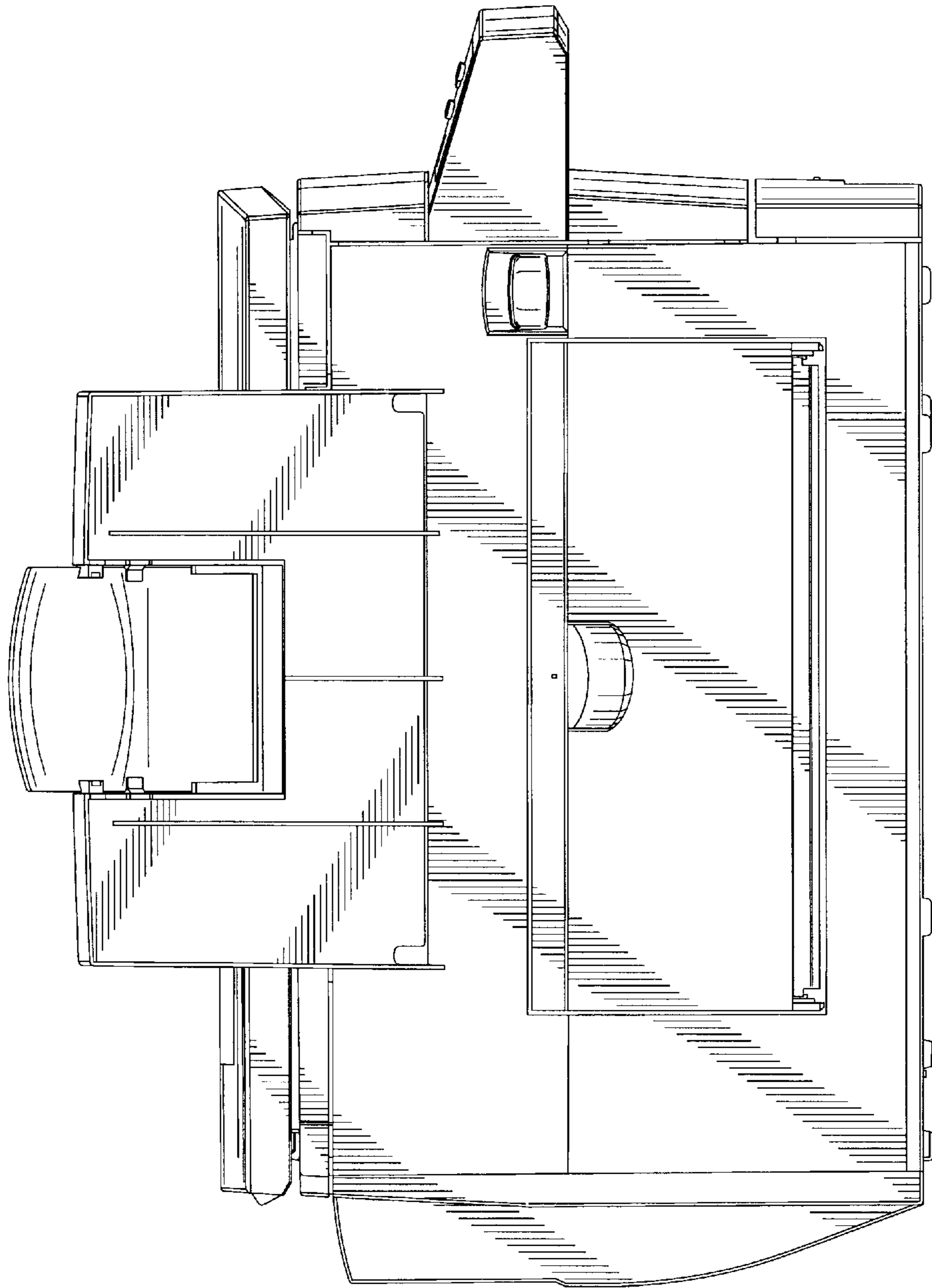


FIG. 5

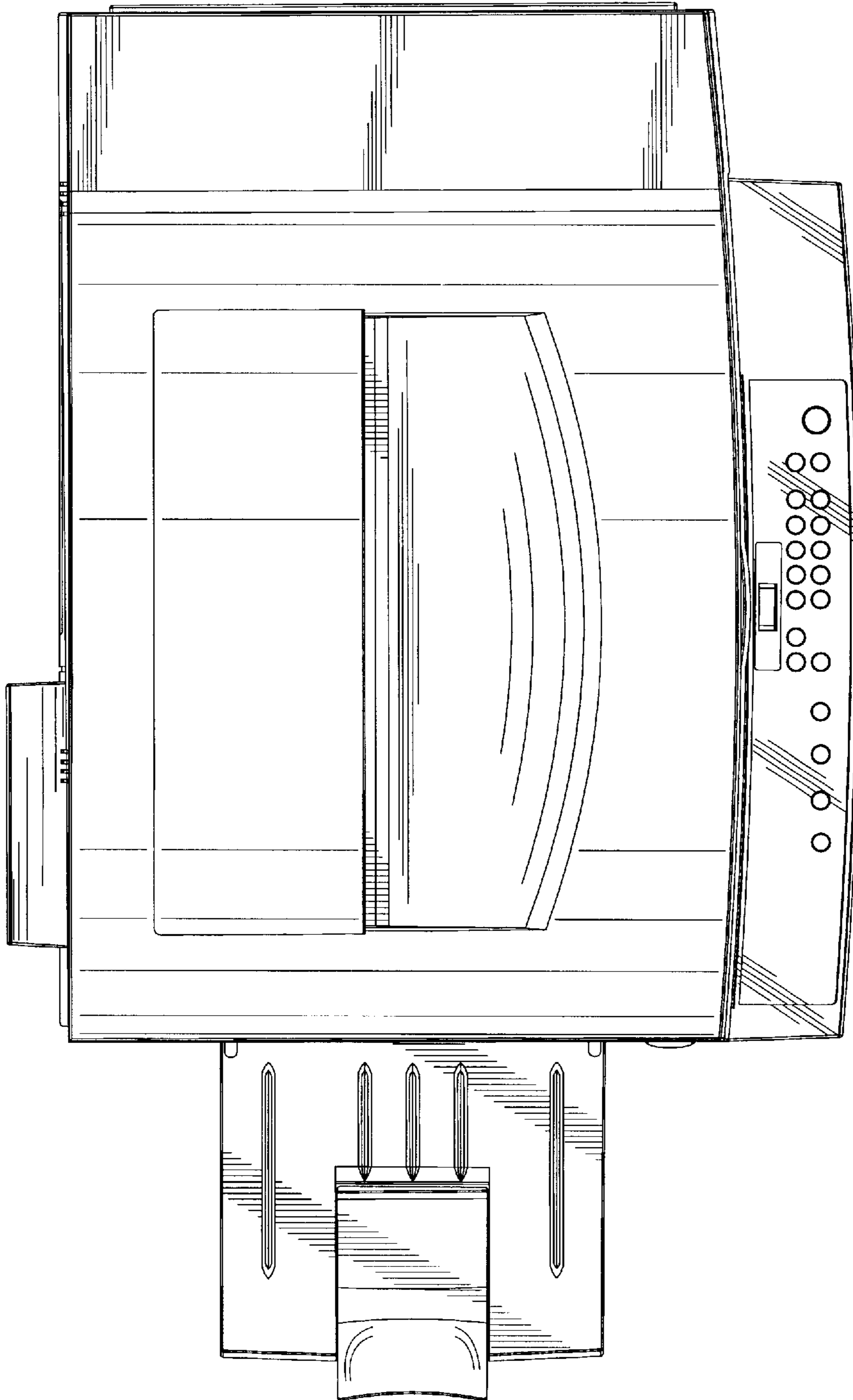


FIG. 6