



US00D421042S

United States Patent [19]

Short et al.

[11] **Patent Number: Des. 421,042**

[45] **Date of Patent: ** Feb. 22, 2000**

[54] **COMBINED PRINTER, COPIER, SCANNER AND FACSIMILE**

D. 382,582 8/1997 Igarashi et al. D18/55
D. 387,344 12/1997 Isomoto D14/118
D. 398,632 9/1998 Dodge et al. D18/36

[75] Inventors: **D. Bradley Short**, San Diego; **Charles W. Dodge**, Escondido; **Ronald J. Kaplan**, San Diego, all of Calif.

Primary Examiner—Caron D. Veynar
Attorney, Agent, or Firm—Jerry R. Potts

[73] Assignee: **Hewlett-Packard Company**, Palo Alto, Calif.

[57] CLAIM

[**] Term: **14 Years**

The ornamental design for a combined printer, copier, scanner and facsimile, as shown.

[21] Appl. No.: **29/102,661**

DESCRIPTION

[22] Filed: **Mar. 29, 1999**

FIG. 1 is a front perspective view of a combined printer, copier, scanner and facsimile showing our new design;
FIG. 2 is a right side elevational view thereof;
FIG. 3 is a bottom plan view thereof;
FIG. 4 is a top plan view thereof;
FIG. 5 is a rear elevational view thereof;
FIG. 6 is a left side elevational view thereof; and,
FIG. 7 is a front elevational view thereof.

[51] **LOC (7) Cl. 16-03**

[52] **U.S. Cl. D18/36; D14/118; D18/55**

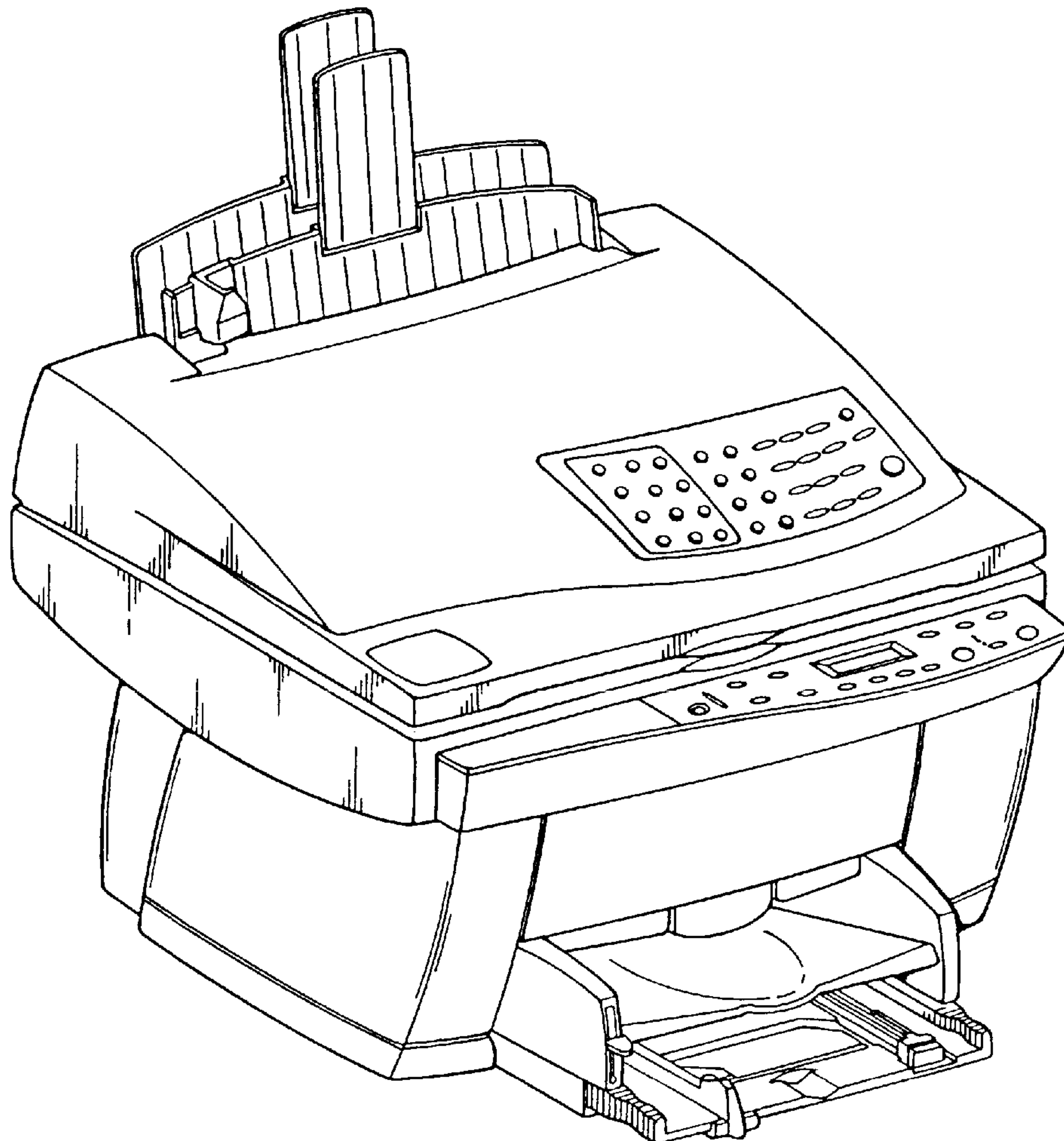
[58] **Field of Search D18/36-39, 54, D18/55; D14/114, 118; 399/1, 16, 75, 130, 151, 310, 361, 365; 355/97; 358/400, 401**

[56] References Cited

U.S. PATENT DOCUMENTS

D. 377,370 1/1997 Escobedo et al. D18/55

1 Claim, 4 Drawing Sheets



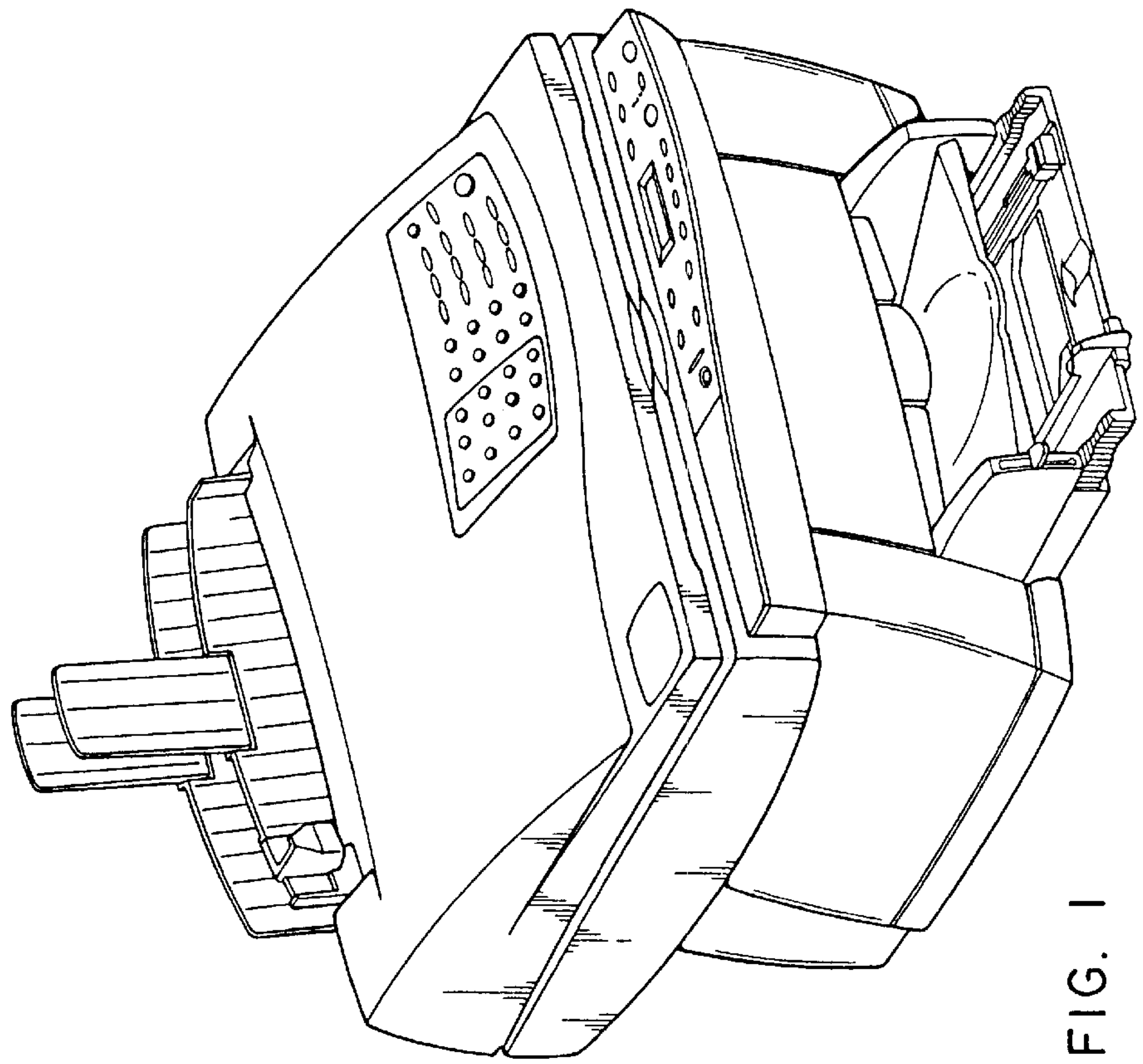


FIG. 1

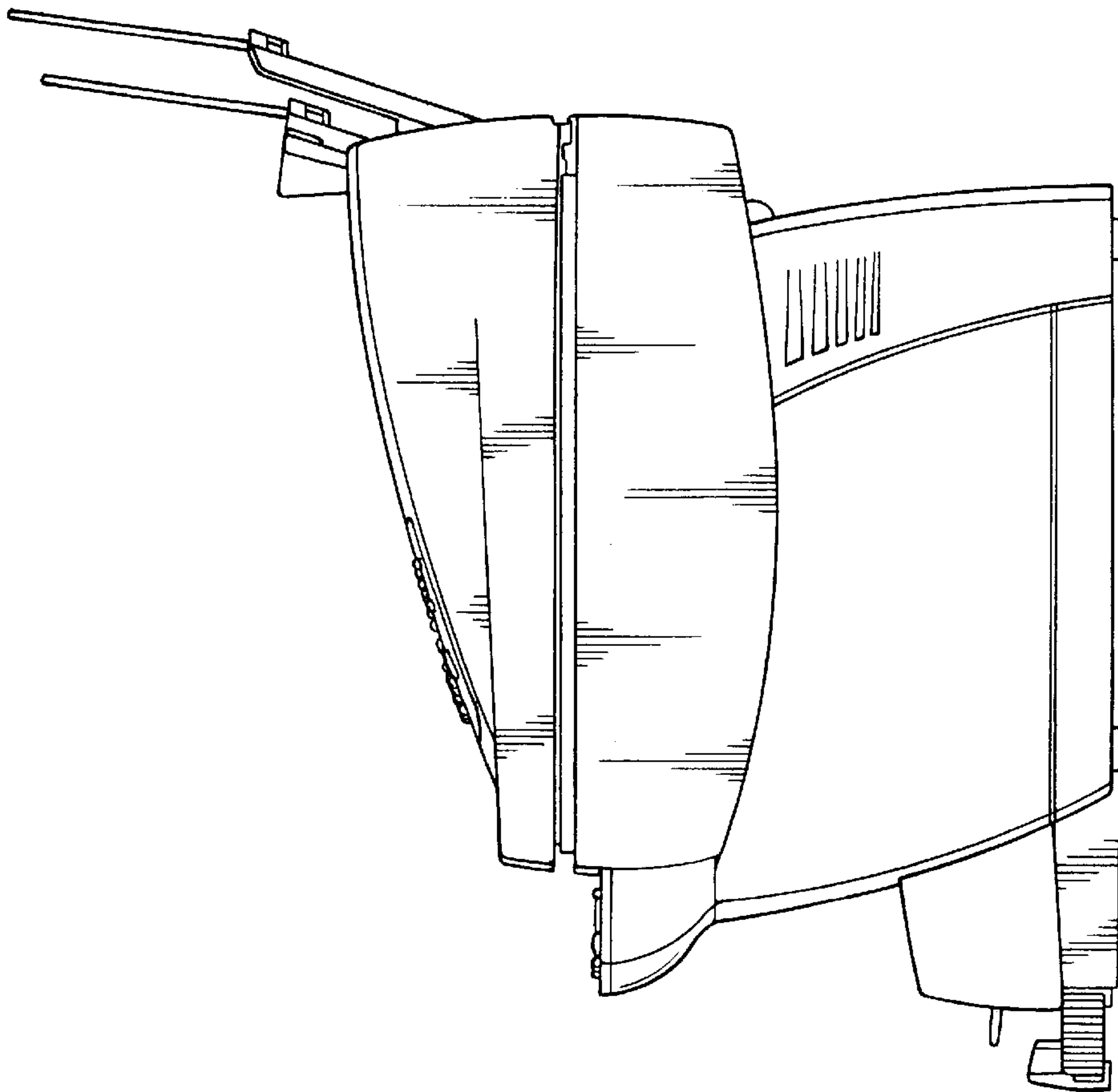


FIG. 2

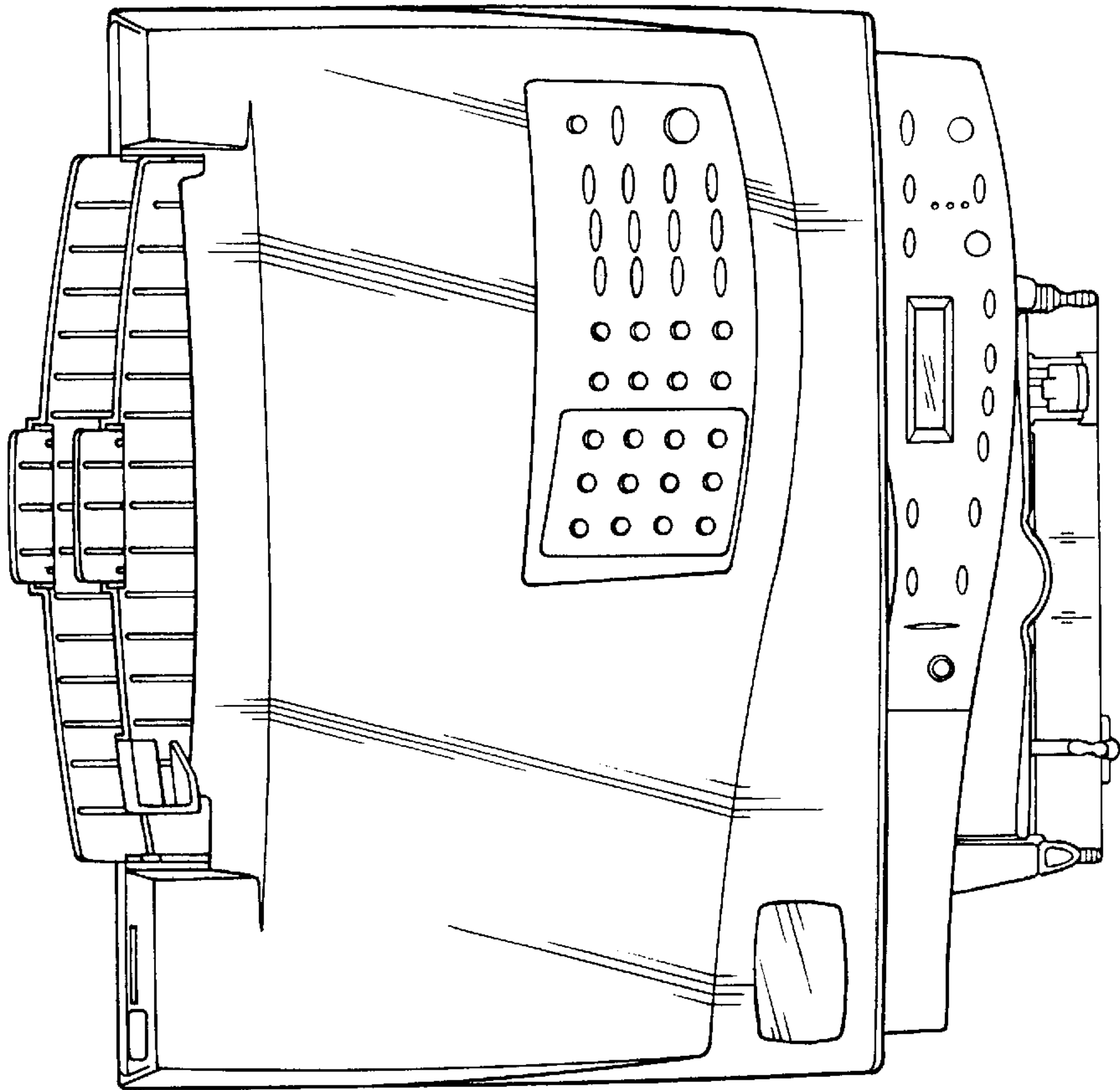


FIG. 4

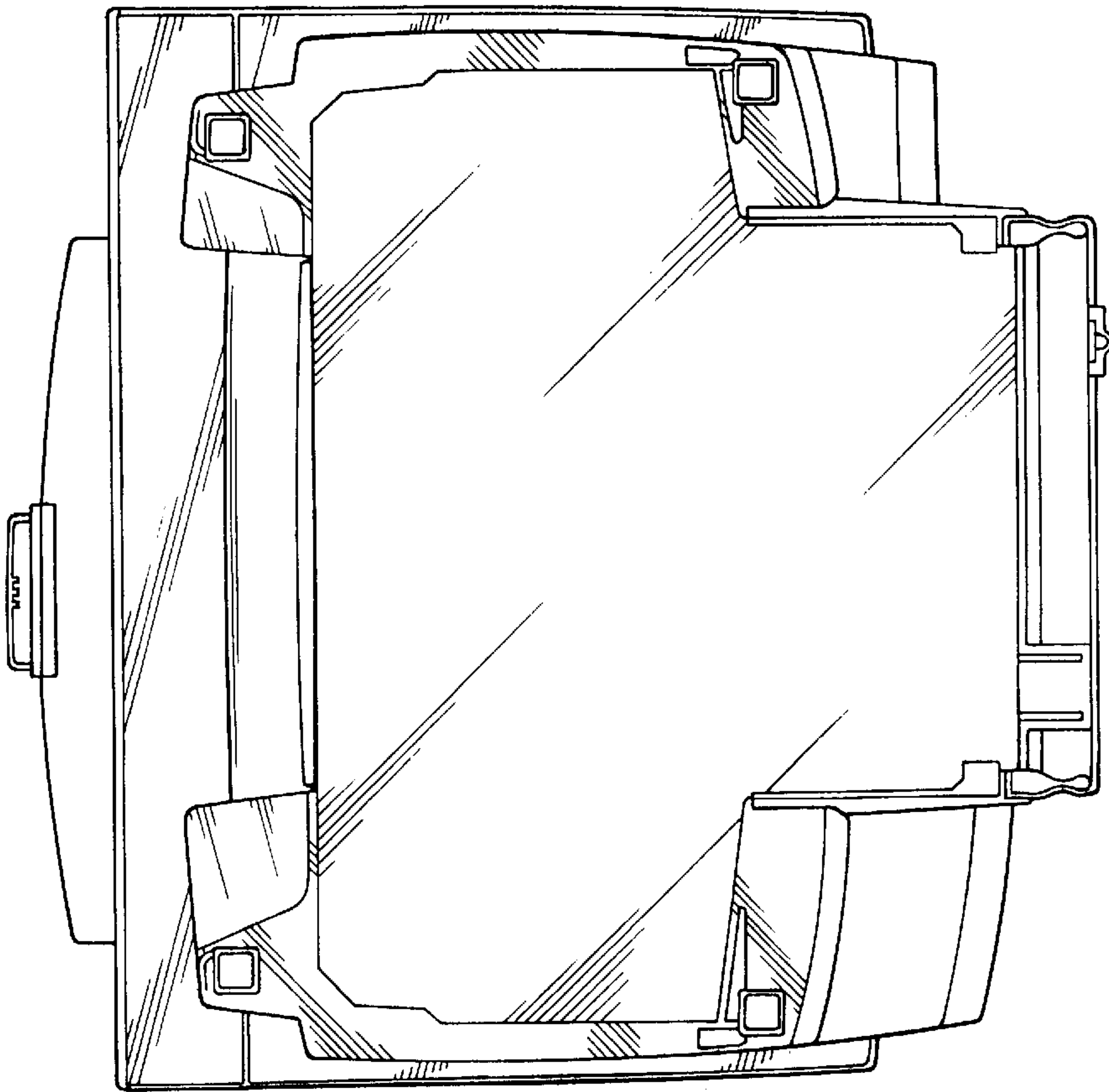


FIG. 3

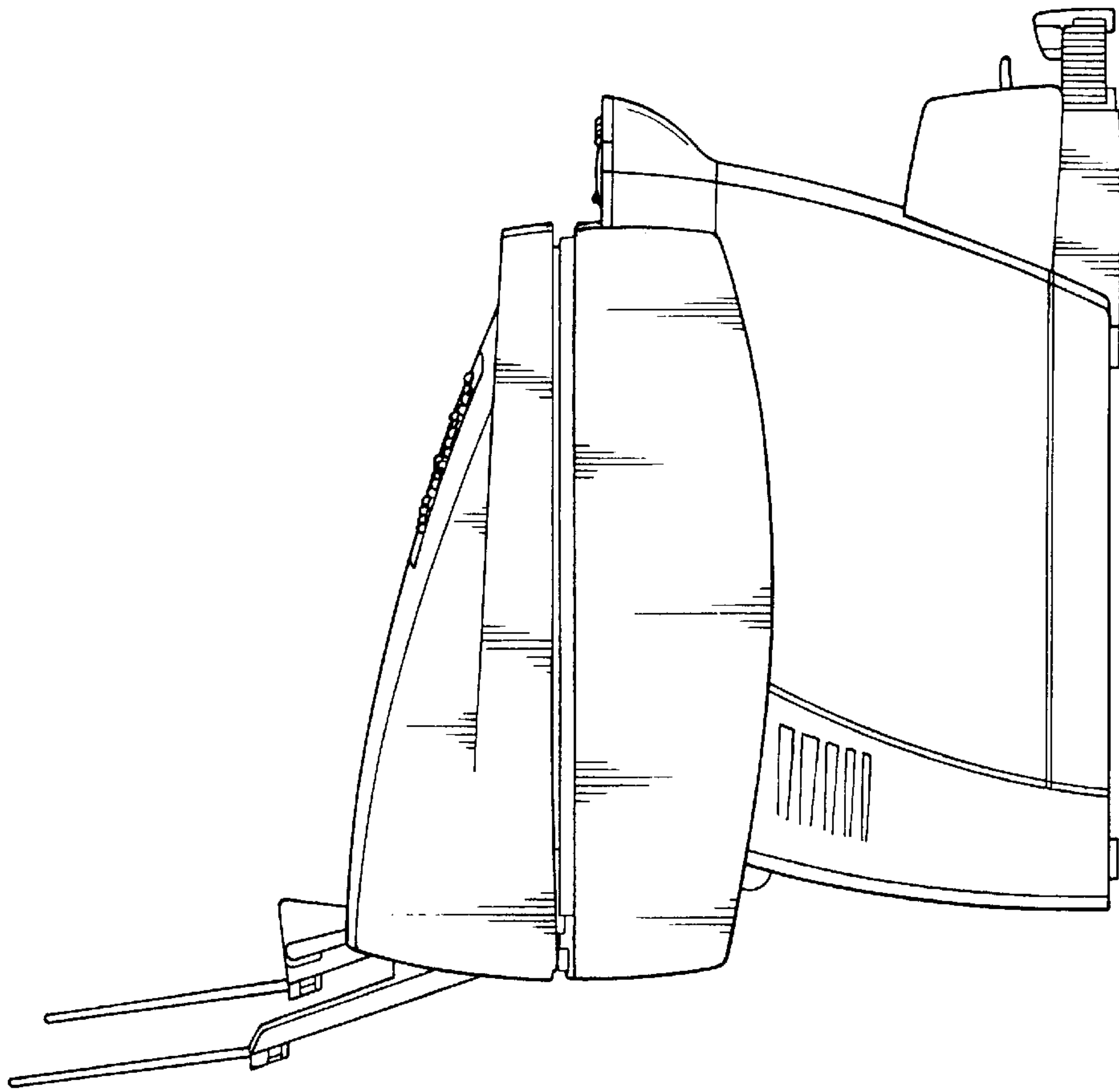


FIG. 5

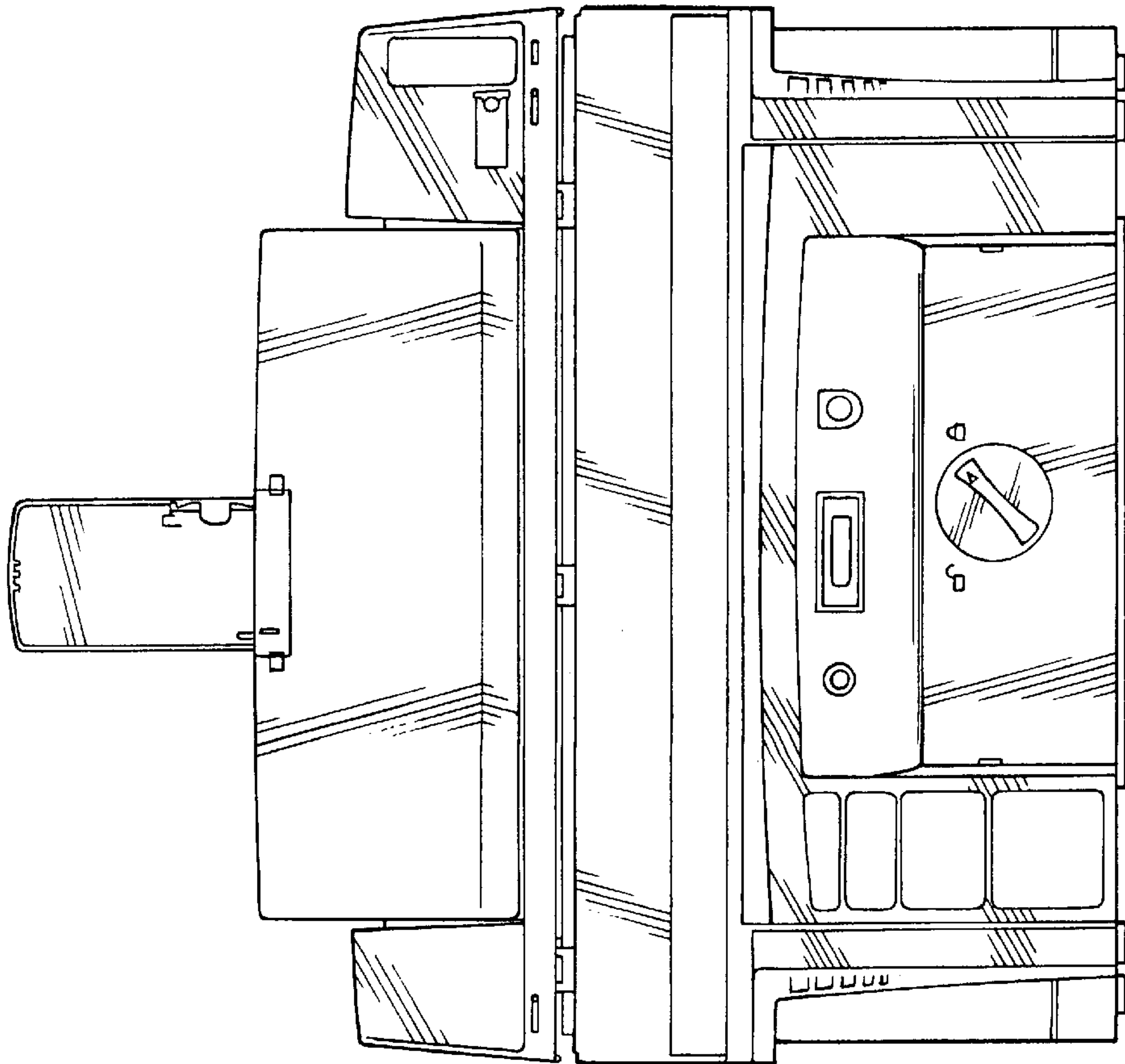


FIG. 6

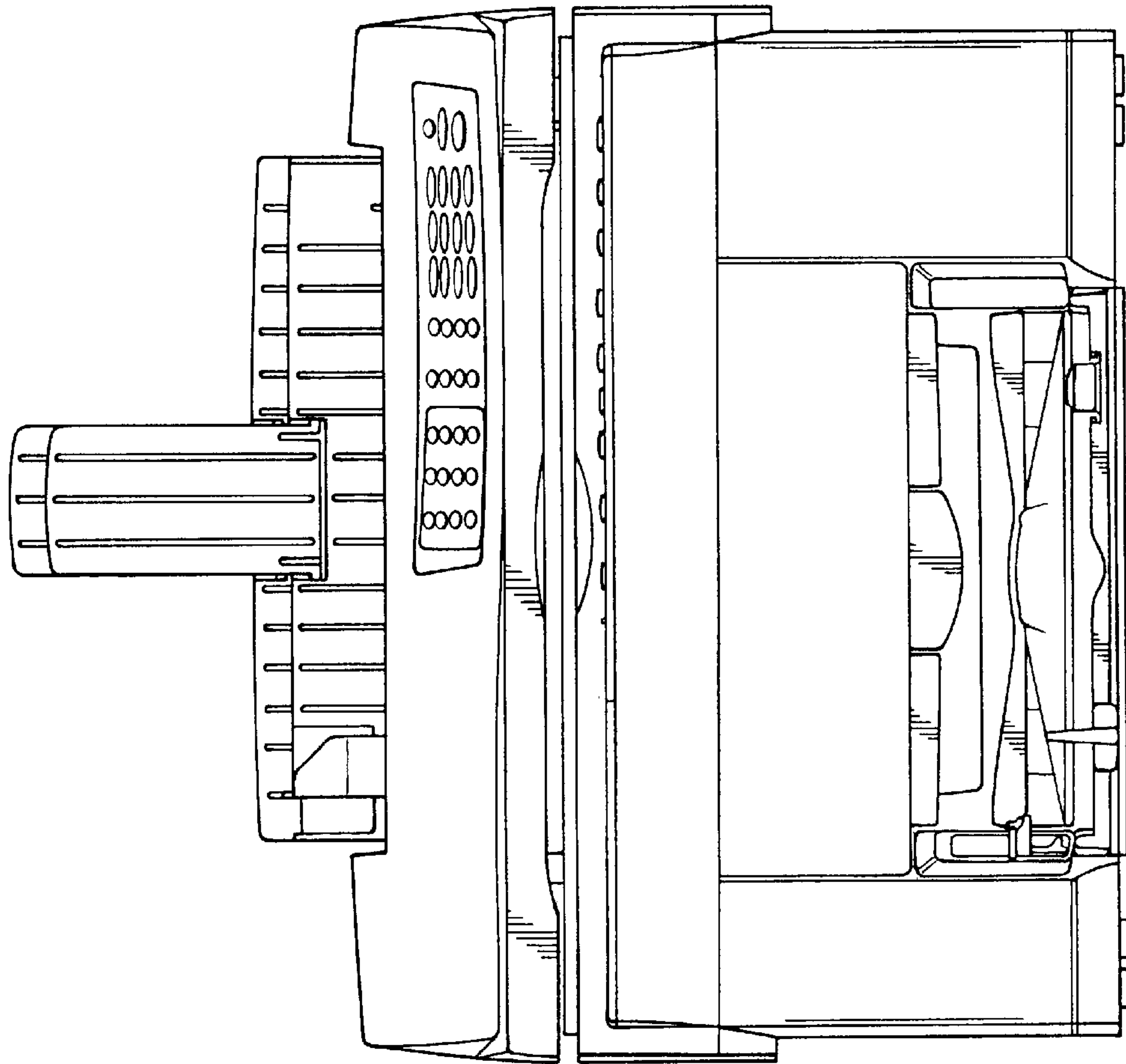


FIG. 7