



US00D421039S

United States Patent [19]
Delacoux

[11] **Patent Number: Des. 421,039**

[45] **Date of Patent: ** Feb. 22, 2000**

[54] **DOCK UNIT FOR BROADCAST CAMERA VIDEO TAPE RECORDER**

D. 365,588 12/1995 Fernandez D16/242
D. 400,202 10/1998 Kikutani D16/237

[75] Inventor: **Jacques Delacoux**, Verneuil-sur-Avre, France

Primary Examiner—Adir Aronovich
Attorney, Agent, or Firm—Natan Epstein; Beehler & Pavitt

[73] Assignee: **Transvideo**, Verneuil-sur-Avre, France

[57] **CLAIM**

[**] Term: **14 Years**

The ornamental design for dock unit for broadcast camera video tape recorder, as shown and described.

[21] Appl. No.: **29/095,596**

DESCRIPTION

[22] Filed: **Oct. 27, 1998**

FIG. 1 is a right rear perspective view of a dock unit showing my new design assembled to a broadcast camera video tape recorder shown in broken lines for environmental purposes only and forms no part of the claimed design.

[51] **LOC (7) Cl.** **16-05**

[52] **U.S. Cl.** **D16/242; D14/239; D16/237**

FIG. 2 is a right rear perspective view thereof;

[58] **Field of Search** D14/239; D16/237,

D16/242, 243; 248/176.1, 918; 348/373-375;

396/419, 421

FIG. 3 is a rear view thereof;

FIG. 4 is a right side view thereof;

FIG. 5 is a top view thereof;

FIG. 6 is a left side view thereof;

FIG. 7 is a front view thereof; and,

FIG. 8 is a bottom view thereof.

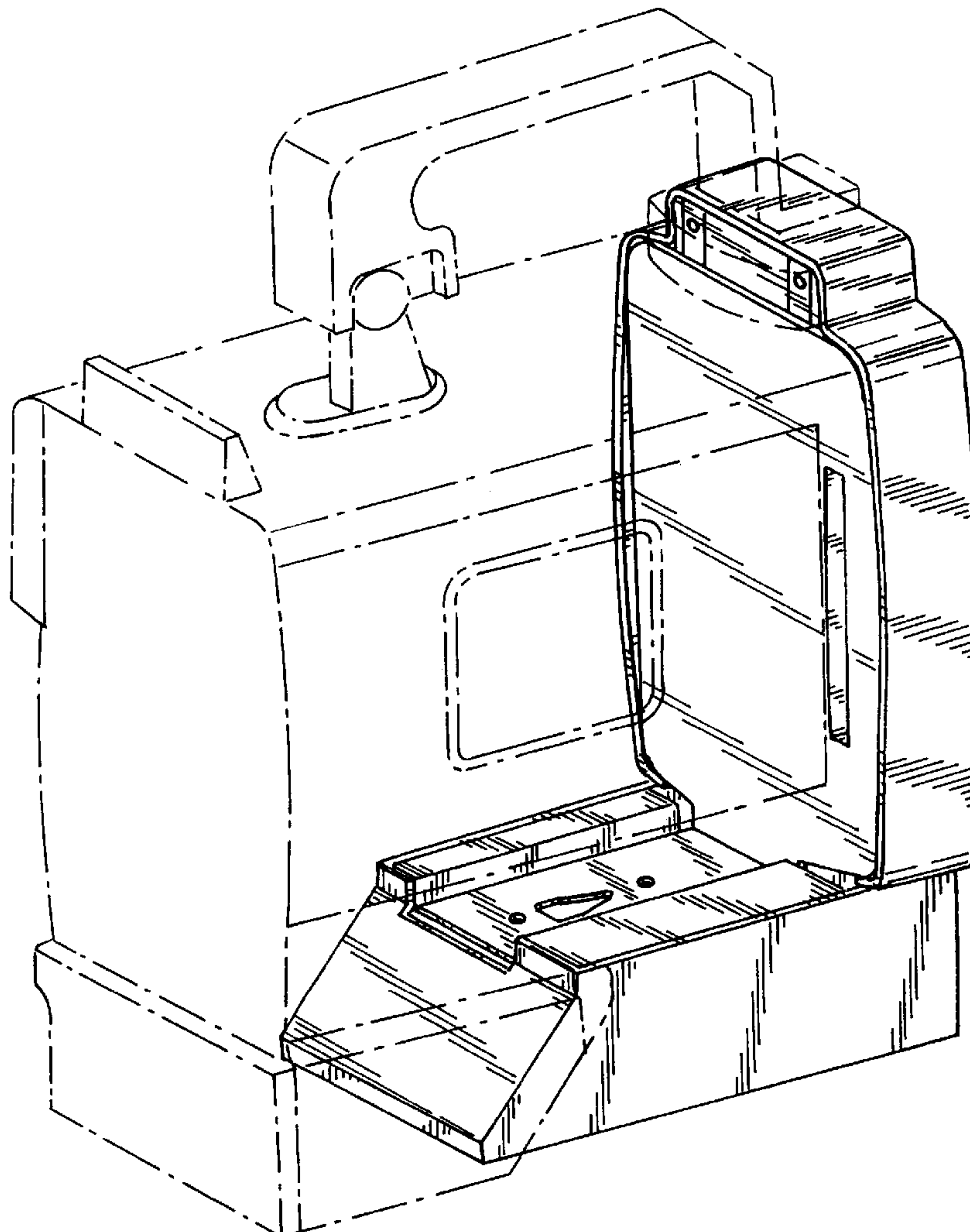
[56] **References Cited**

U.S. PATENT DOCUMENTS

D. 230,634 3/1974 Kardach D16/242

D. 246,372 11/1977 Yoshino D16/243

1 Claim, 3 Drawing Sheets



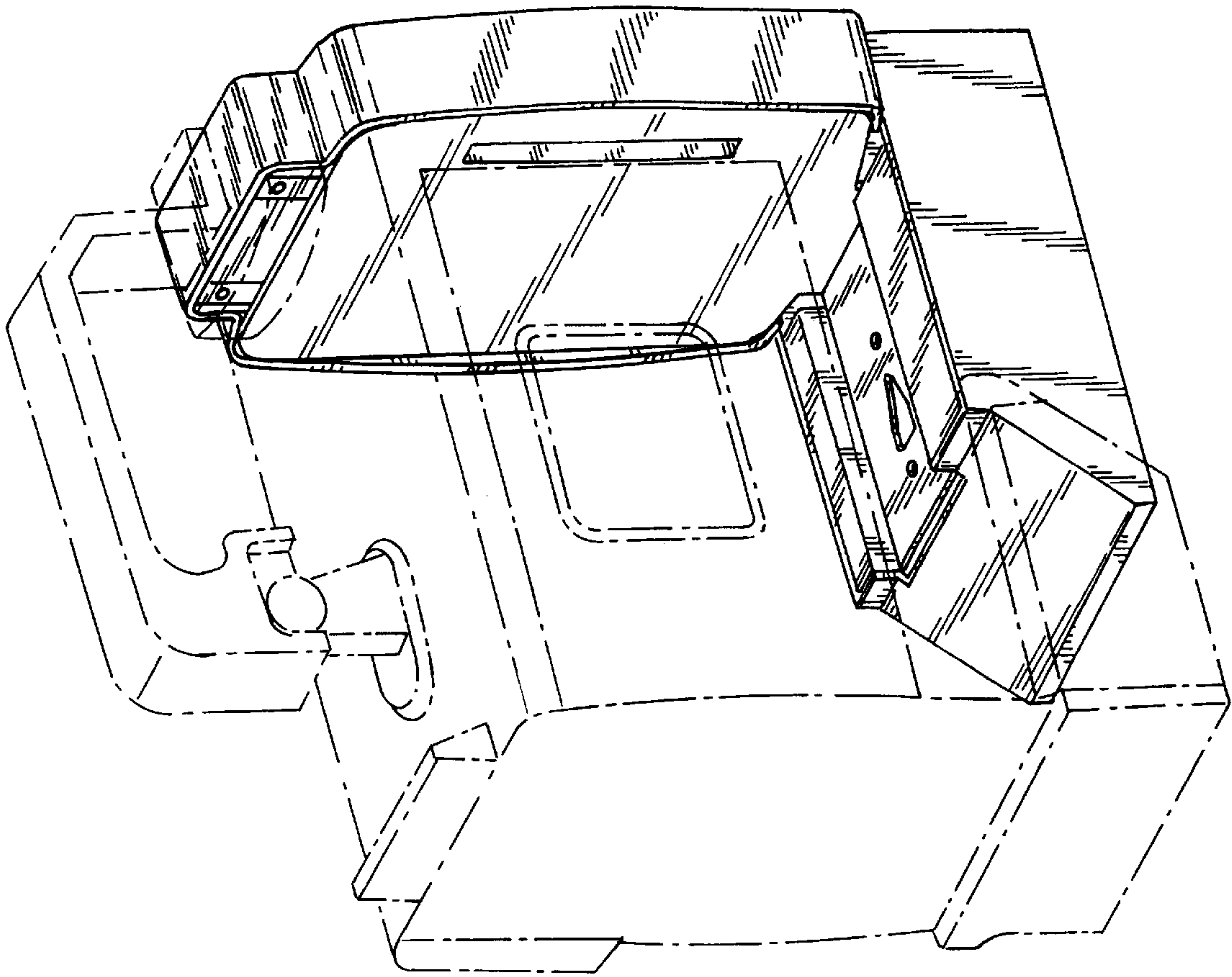


FIG. 1

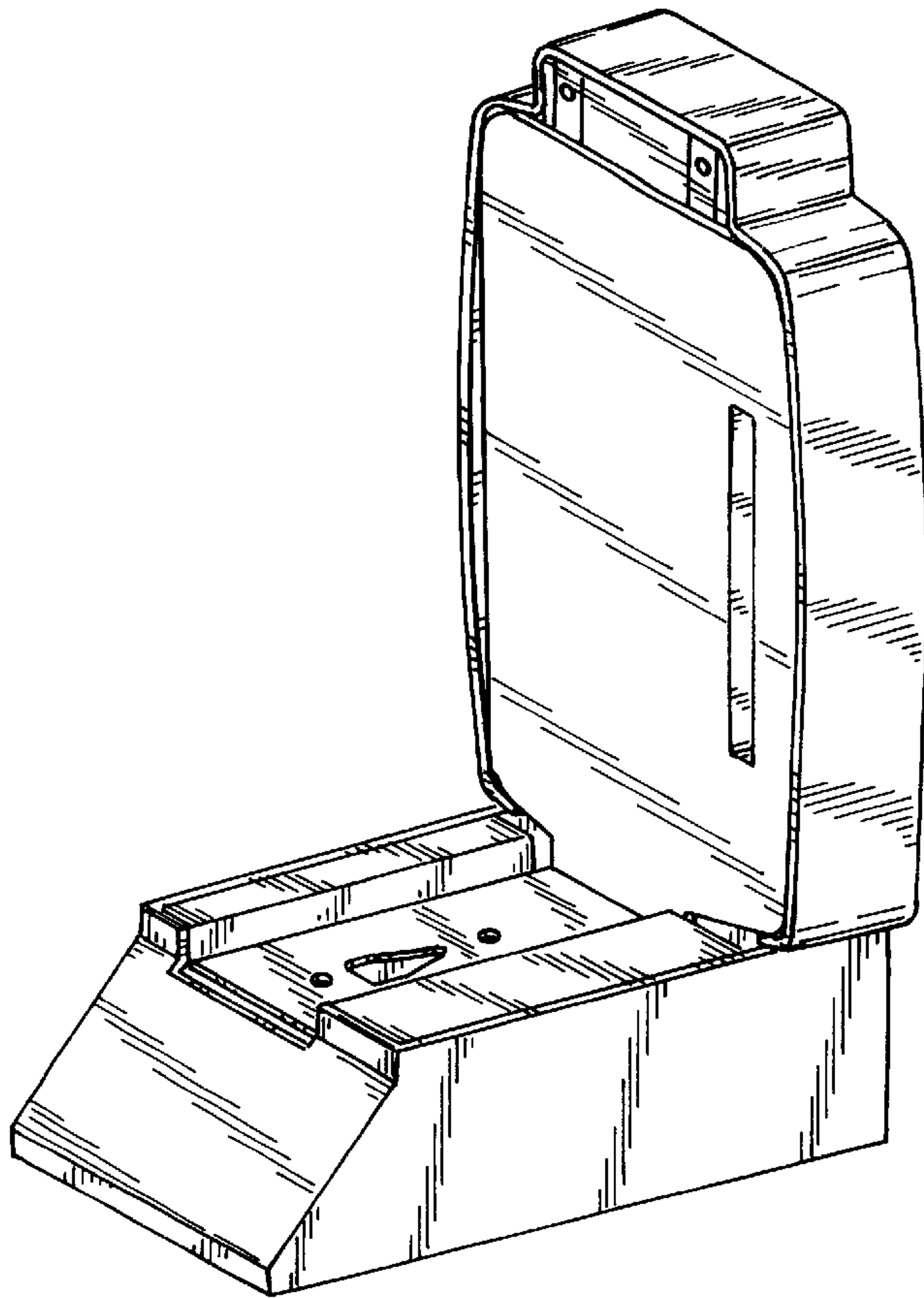


FIG. 2

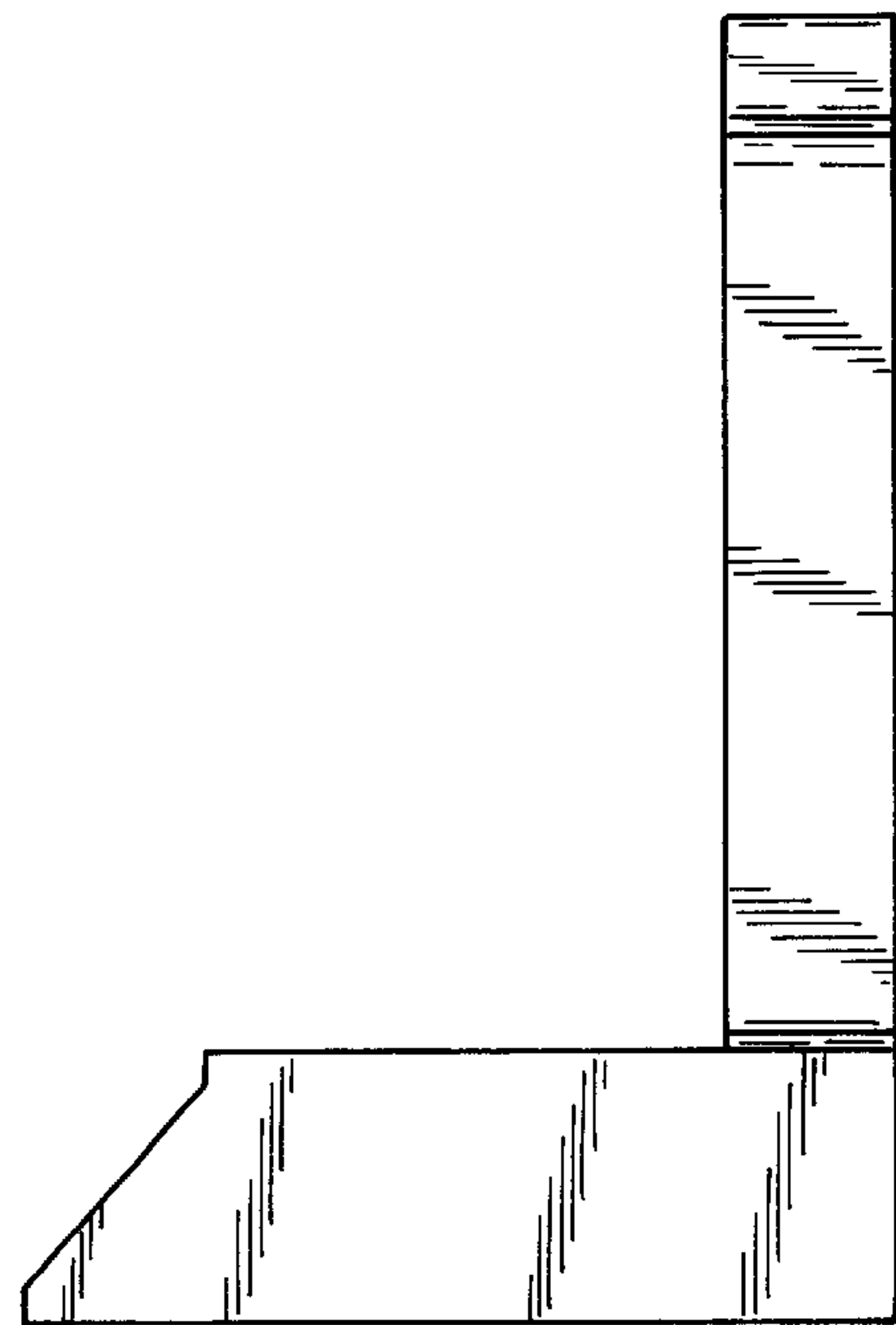


FIG. 4

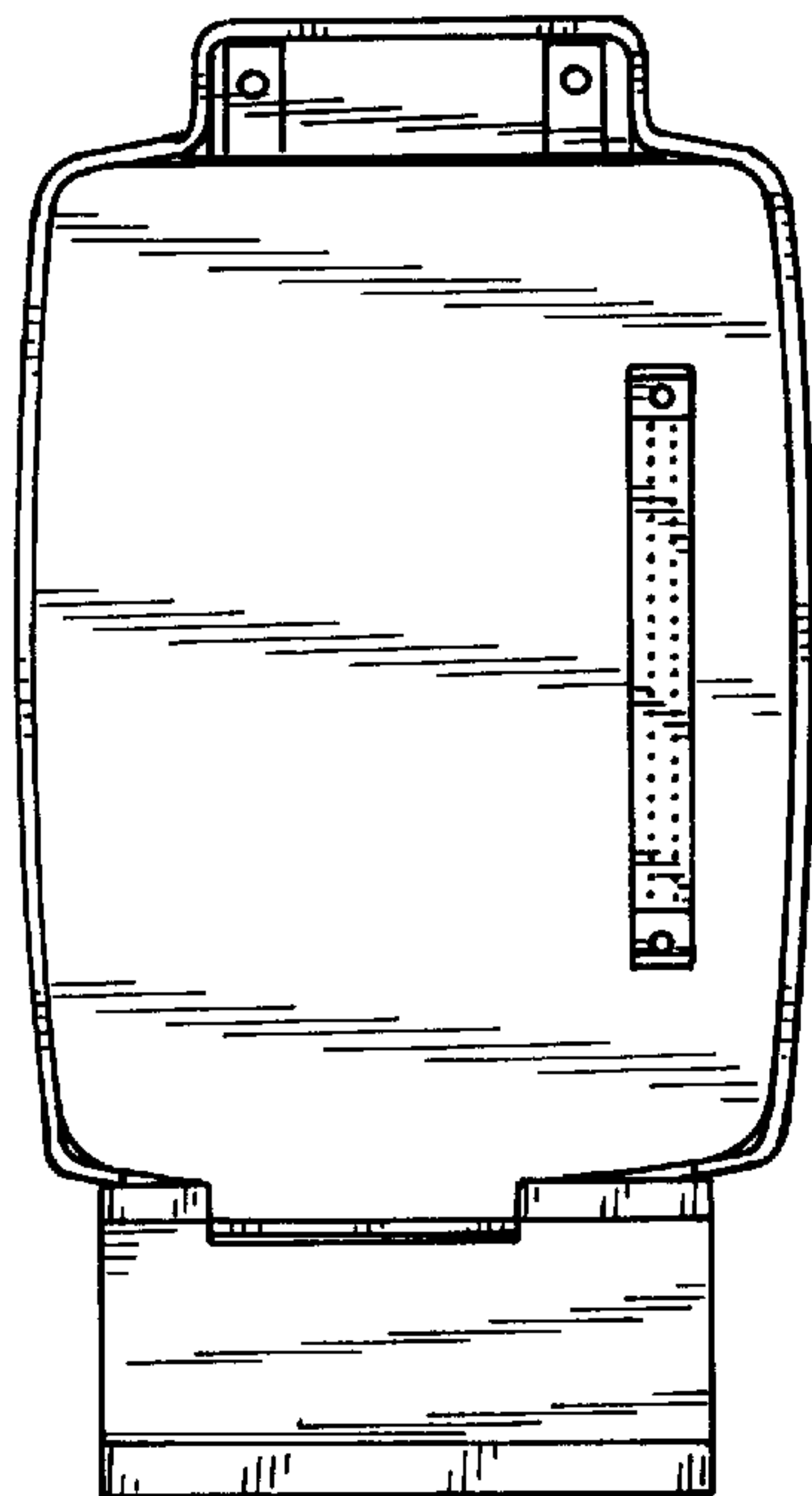


FIG. 3

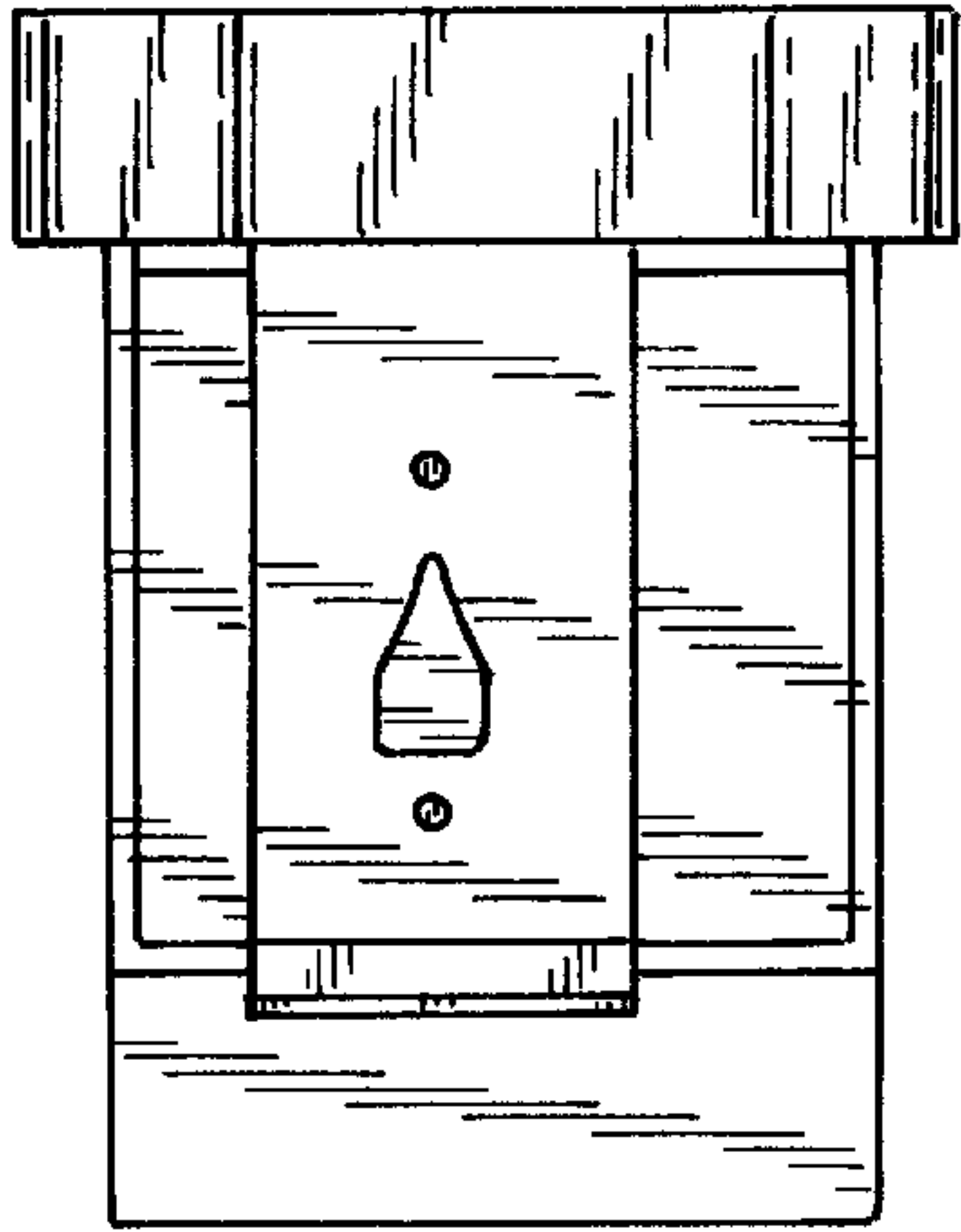


FIG. 5

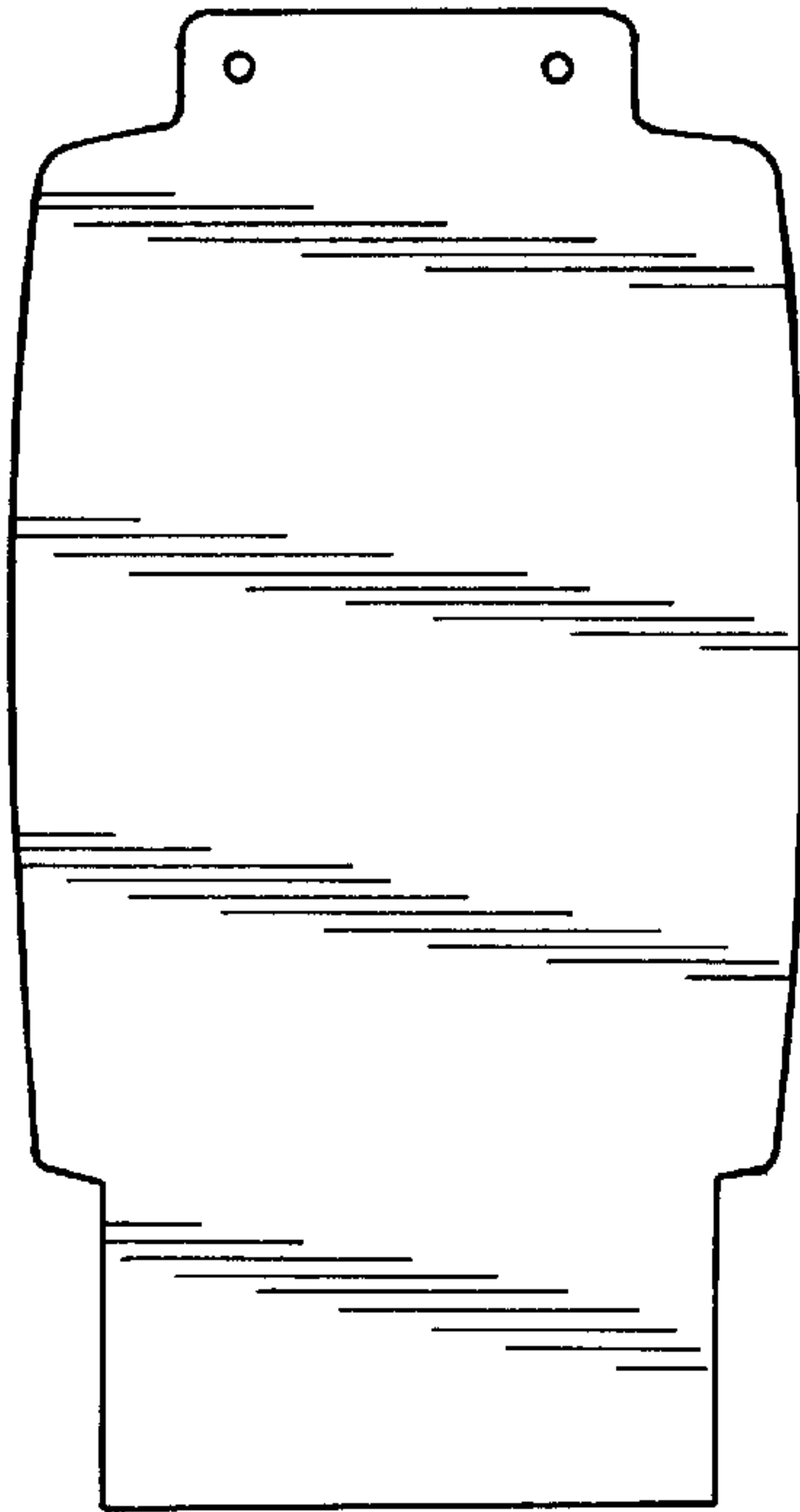


FIG. 7

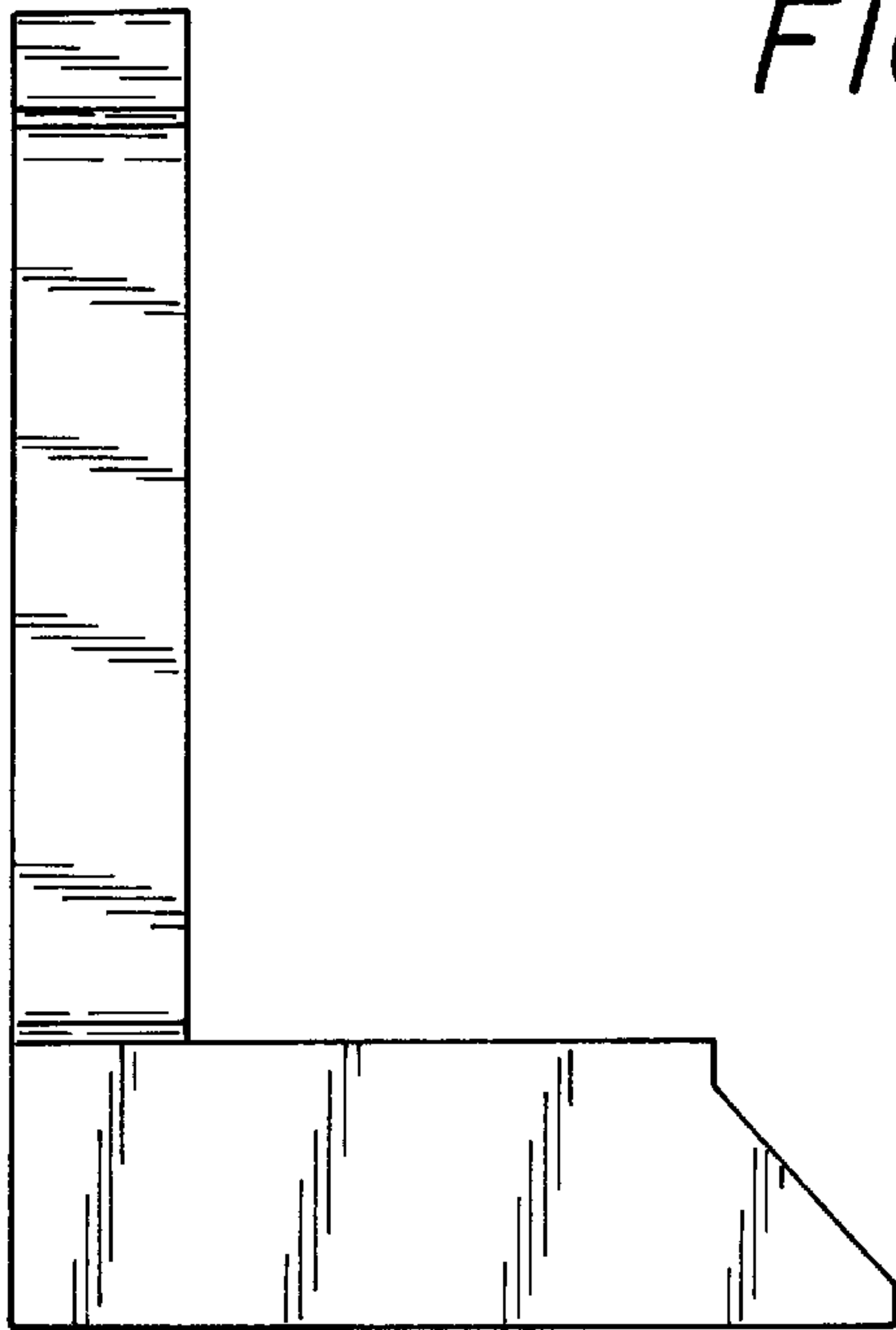


FIG. 6

FIG. 8

