



US00D421038S

# United States Patent [19] Hisatsune

[11] **Patent Number: Des. 421,038**

[45] **Date of Patent: \*\* Feb. 22, 2000**

[54] **VIDEO CAMERA CONTROLLER**

[75] Inventor: **Toshiyuki Hisatsune**, Tokyo, Japan

[73] Assignee: **Sony Corporation**, Tokyo, Japan

[\*\*] Term: **14 Years**

[21] Appl. No.: **29/098,364**

[22] Filed: **Dec. 28, 1998**

[51] **LOC (7) Cl. .... 16-05**

[52] **U.S. Cl. .... D16/237; D14/117.1; D13/168**

[58] **Field of Search .... D13/164, 168;  
D14/117.1, 117.5, 117.6; D16/237; 348/143;  
396/427; 463/38, 46**

[56] **References Cited**

**U.S. PATENT DOCUMENTS**

D. 313,251	12/1990	Hayes	.....	D14/176.6
4,469,330	9/1984	Asher	.....	463/38
4,870,389	9/1989	Ishiwata et al.	.....	463/38
5,430,511	7/1995	Paff et al.	.....	396/427

**OTHER PUBLICATIONS**

Sony Catalog, Broadcast/Production System General Catalog 1999, pp. 36, 57, 98, 159, 183, 271.

Sony Catalog, DRS Series, 1998, p. 25.

Sony, Professional Audio Catalog, 1998, pp. 2, 17, 19, 23.

Samtec Catalog, Telaffy vol. 18.

*Primary Examiner*—Adir Aronovich

*Attorney, Agent, or Firm*—Foley & Lardner

[57] **CLAIM**

The ornamental design for a video camera controller, as shown and described.

**DESCRIPTION**

FIG. 1 is a perspective view of a video camera controller showing my new design;

FIG. 2 is a top plan view thereof;

FIG. 3 is a left side elevational view thereof;

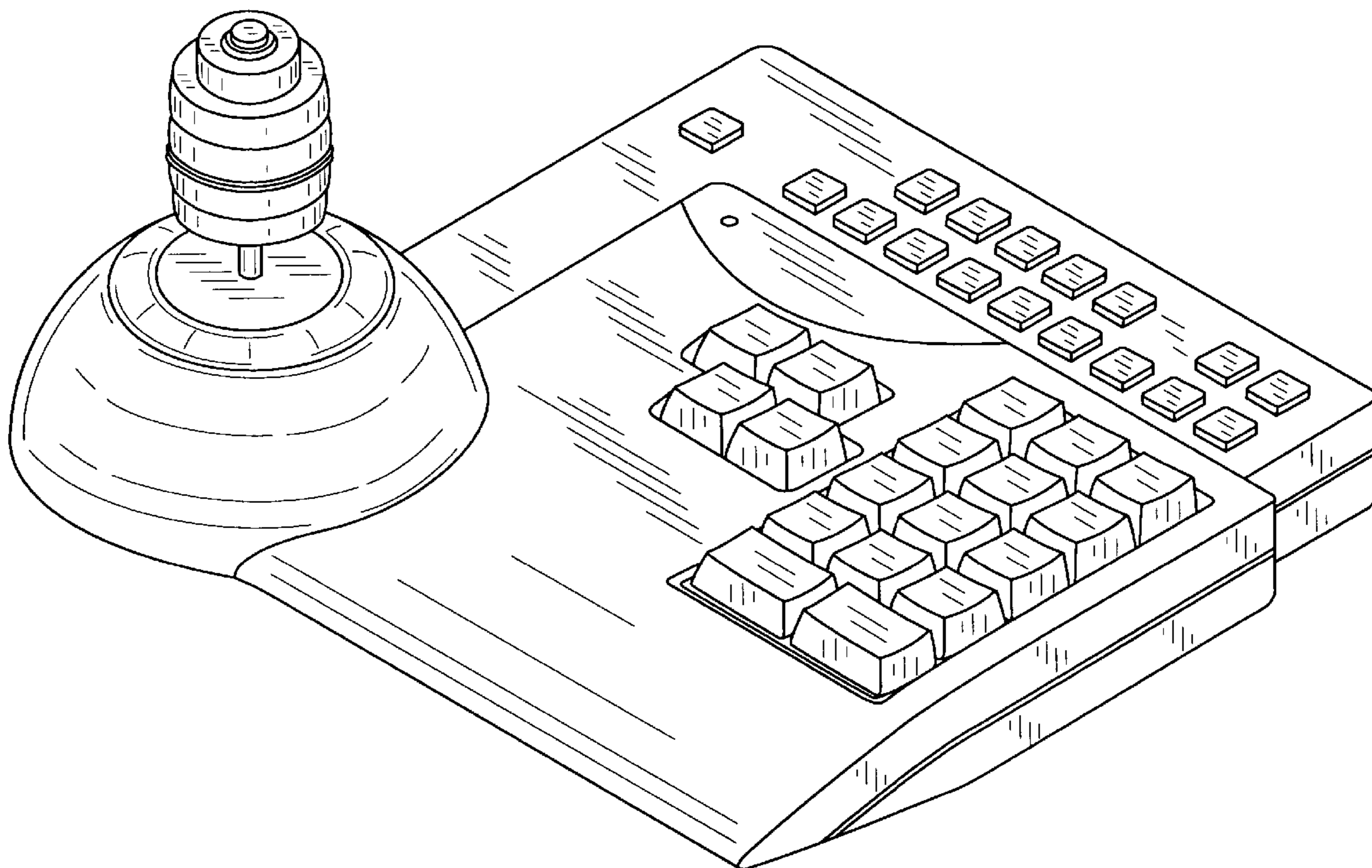
FIG. 4 is a front elevational view thereof;

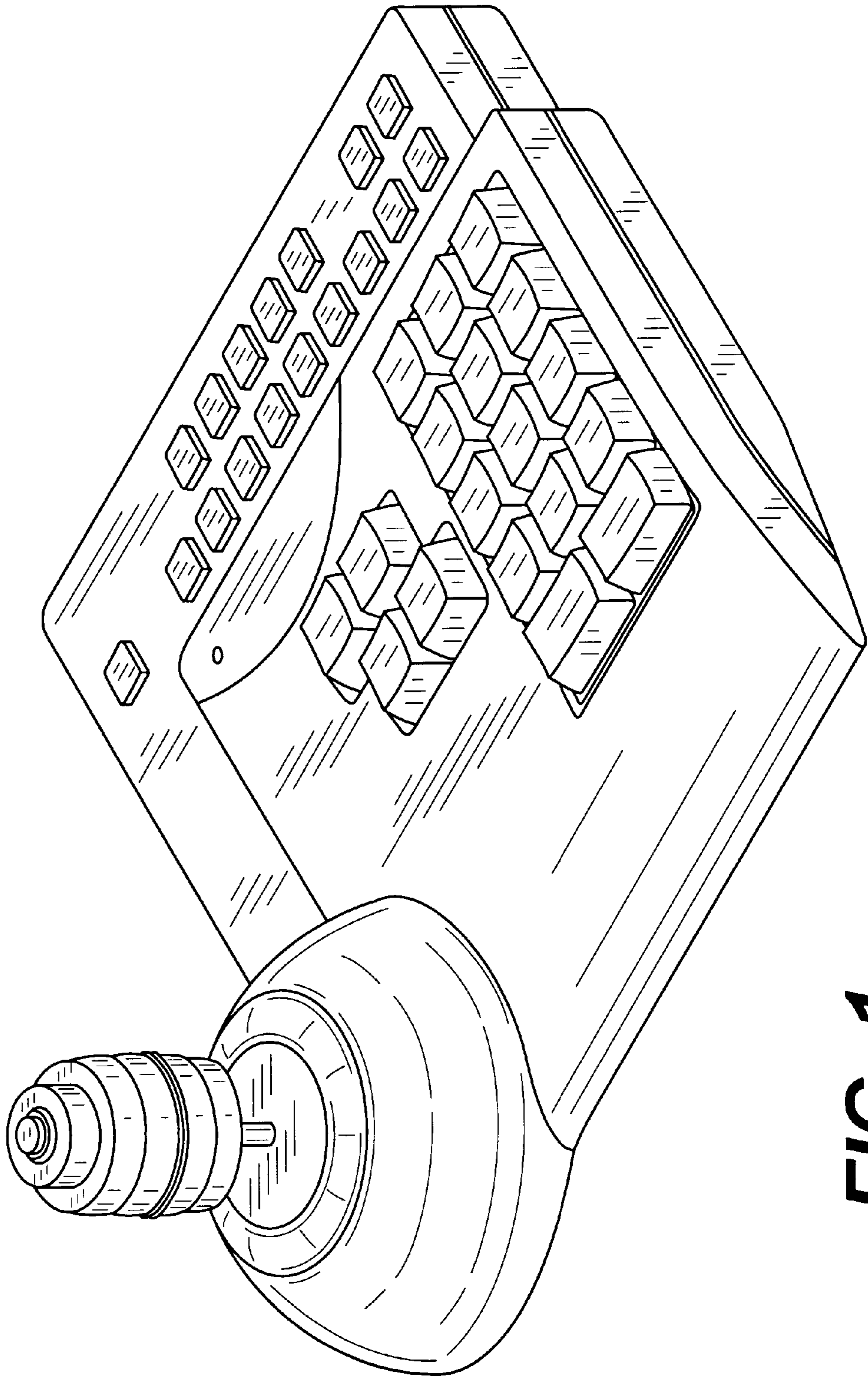
FIG. 5 is a bottom plan view thereof;

FIG. 6 is a right side elevational view thereof; and,

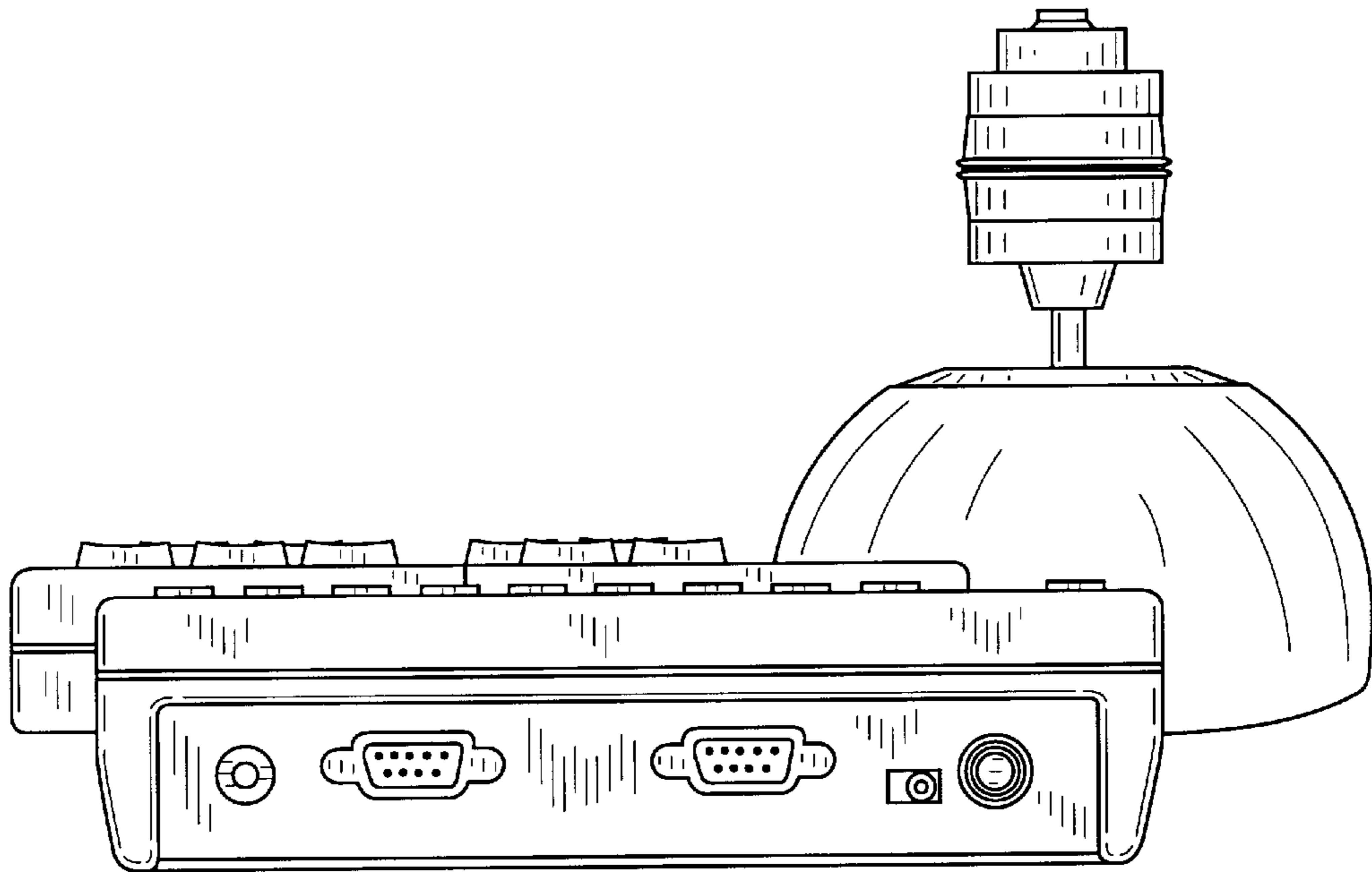
FIG. 7 is a rear elevational view thereof.

**1 Claim, 5 Drawing Sheets**

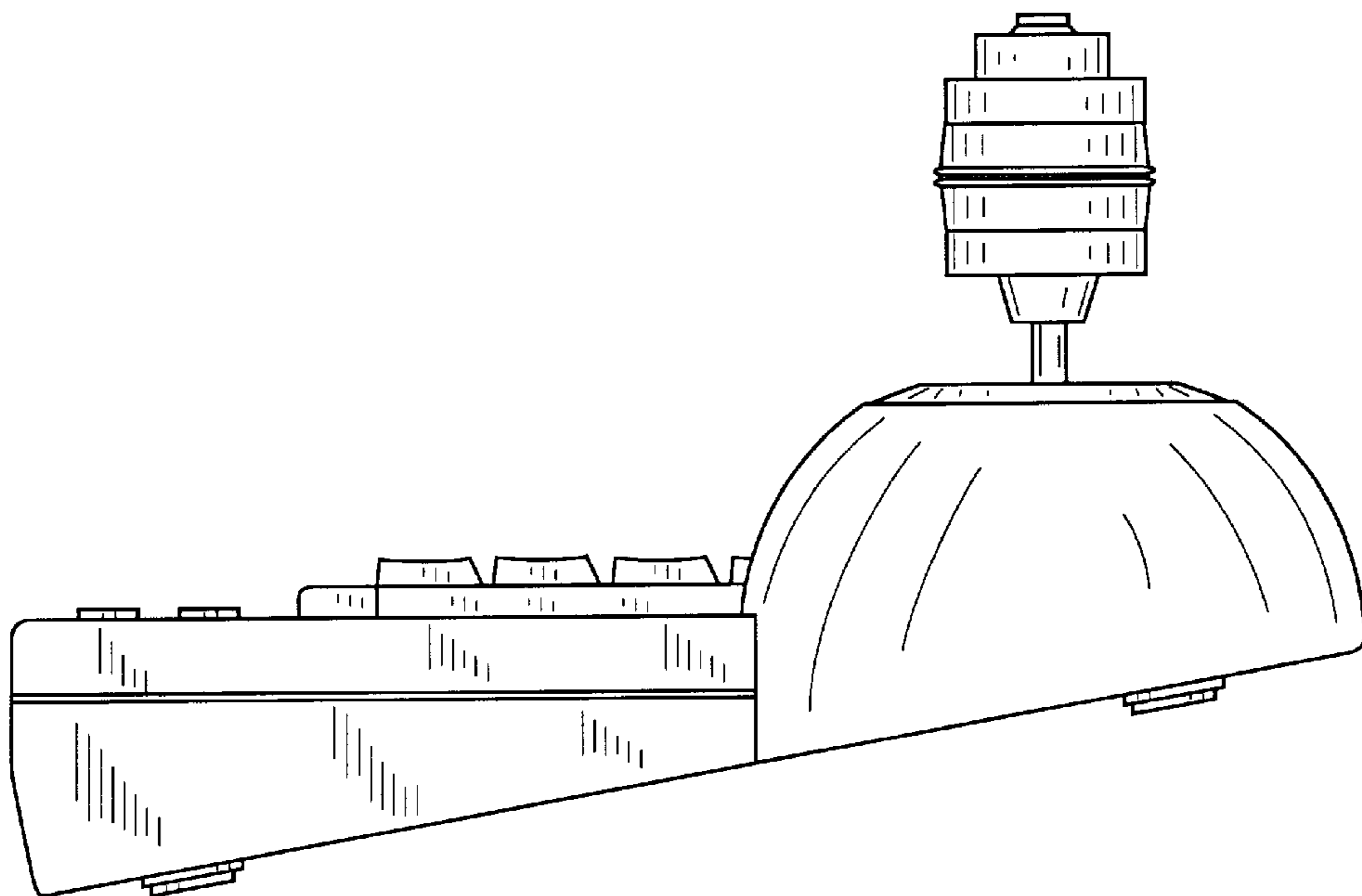




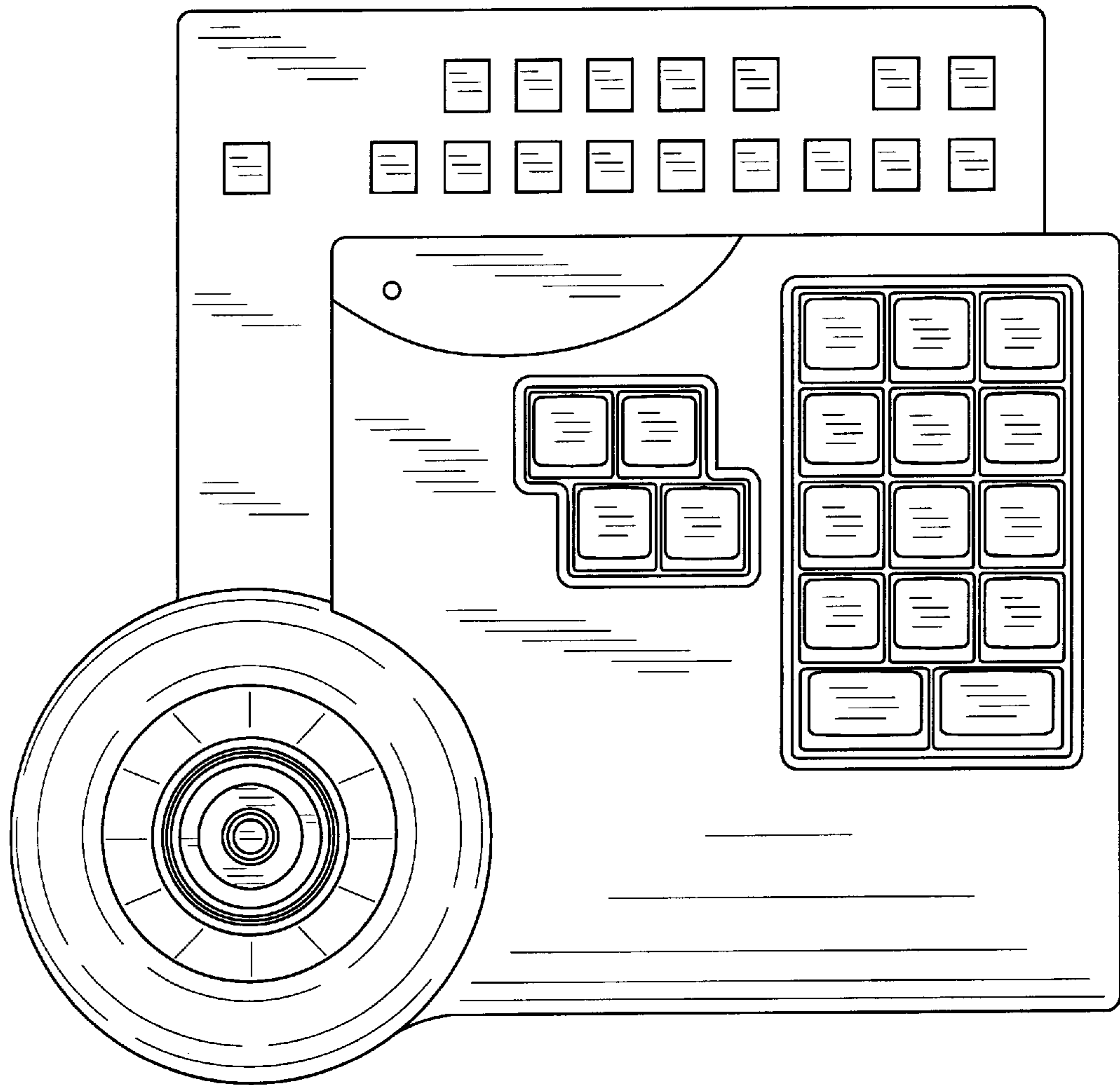
**FIG. 1**



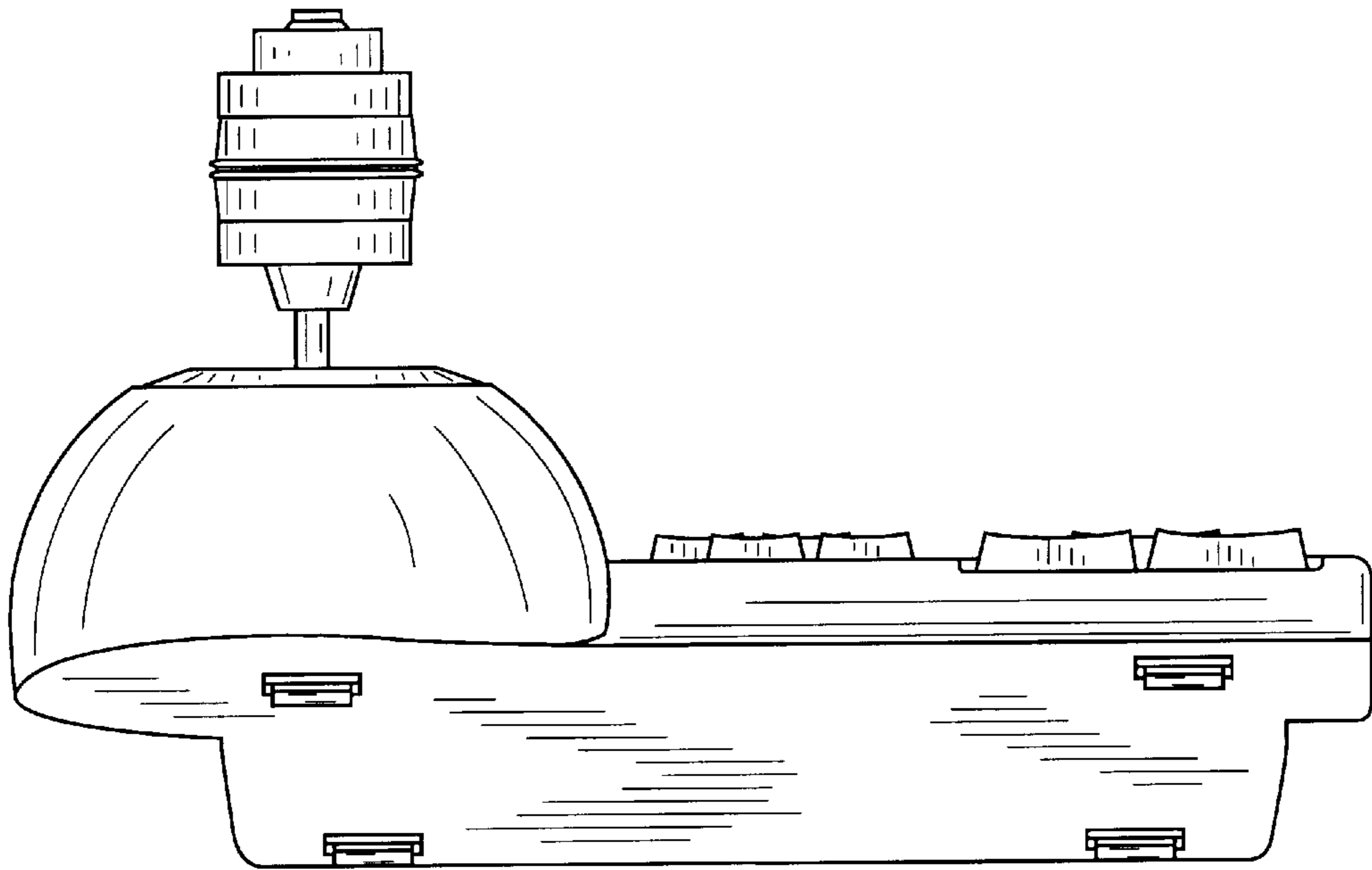
**FIG. 2**



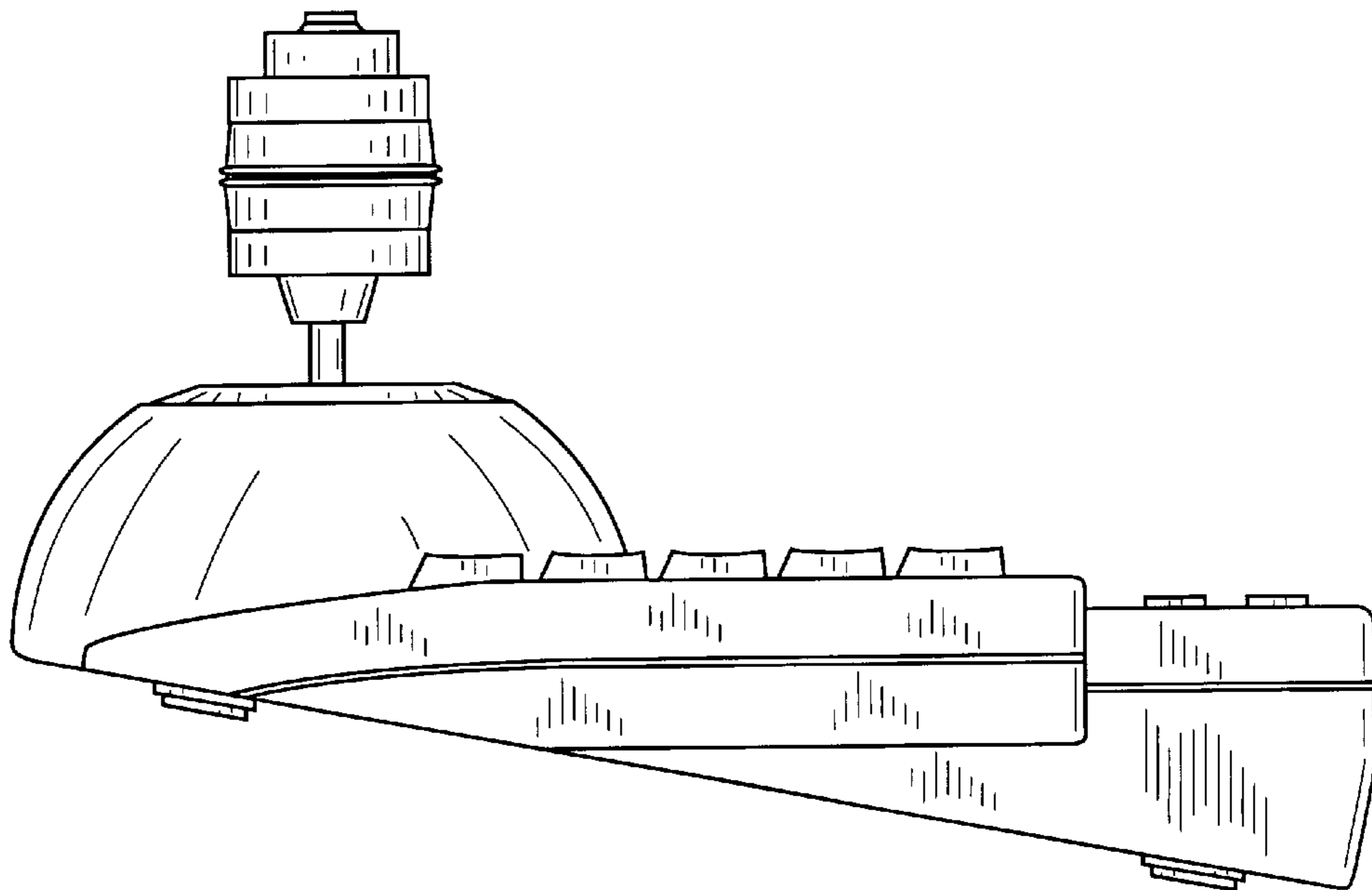
**FIG. 3**



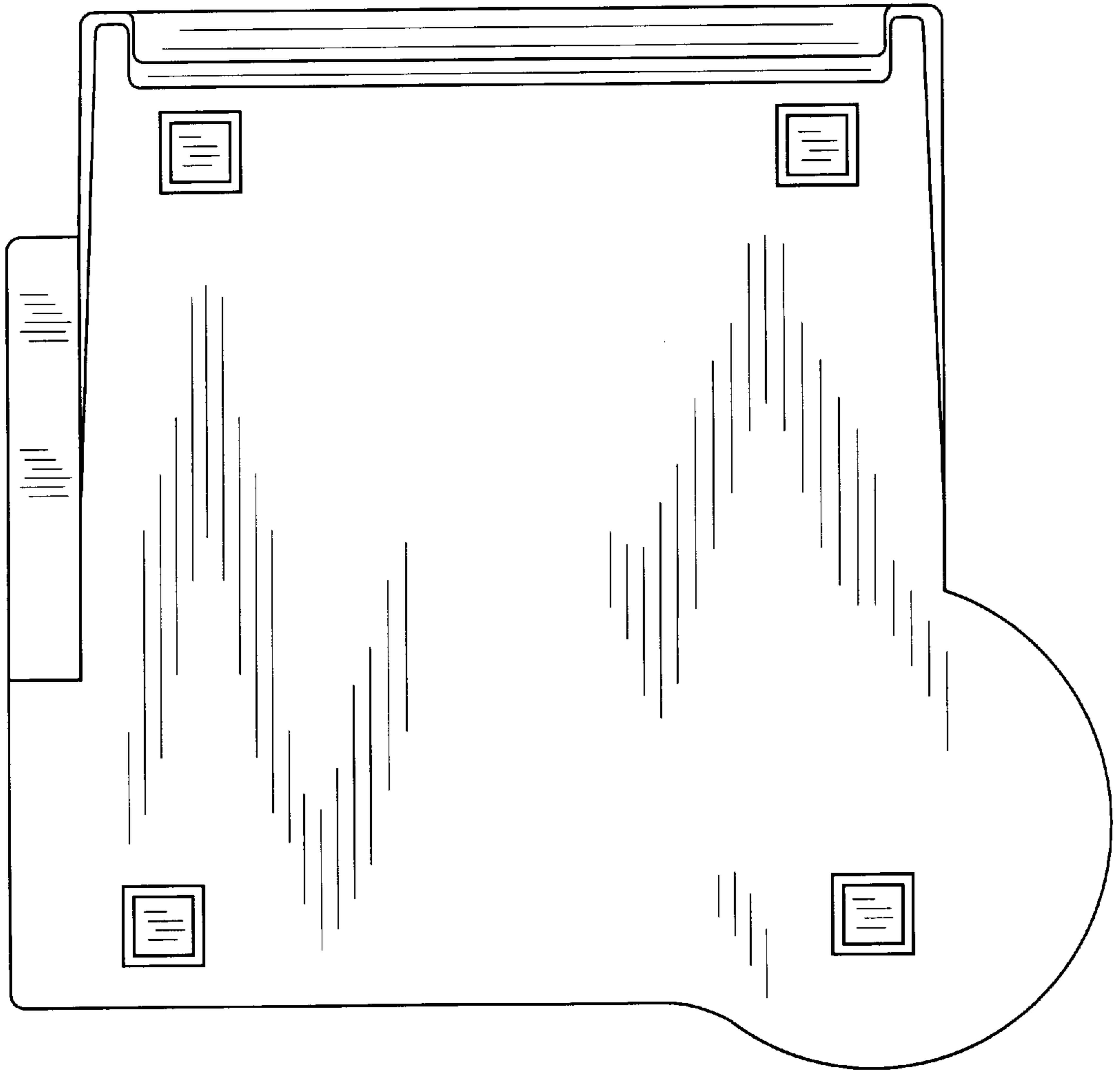
**FIG. 4**



**FIG. 5**



**FIG. 6**



**FIG. 7**