



US00D421036S

United States Patent [19]

Oota et al.

[11] Patent Number: **Des. 421,036**

[45] Date of Patent: **** Feb. 22, 2000**

[54] **LCD PROJECTOR**

[75] Inventors: **Yukihiko Oota; Hiroaki Fukunaga; Toshiyuki Yamaguchi; Toshihiko Miyagawa**, all of Osaka-fu; **Koichi Harada; Naoto Fukasawa**, both of Tokyo, all of Japan

[73] Assignee: **NEC Corporation**, Tokyo, Japan

[**] Term: **14 Years**

[21] Appl. No.: **29/098,798**

[22] Filed: **Jan. 6, 1999**

[30] **Foreign Application Priority Data**

Jul. 6, 1998 [JP] Japan 10-19430

[51] **LOC (7) Cl.** **16-02**

[52] **U.S. Cl.** **D16/231; D16/225; D16/230**

[58] **Field of Search** D16/205, 208, D16/221, 225, 230, 231, 234; D21/514; 352/34, 242, 243; 353/115, 119, 122

[56] **References Cited**

U.S. PATENT DOCUMENTS

D. 371,148 6/1996 Kobayashi D16/221

D. 392,302 3/1998 Oota et al. D16/221
D. 401,261 11/1998 Yamazaki et al. D16/225
D. 406,159 2/1999 Kawasaki et al. D16/234
2,916,964 12/1959 Paulsohn 353/115

OTHER PUBLICATIONS

NEC Catalog, 1996, (MT600/MT800 LCD Projectors).

Primary Examiner—Adir Aronovich
Attorney, Agent, or Firm—Sughrue, Mion, Zinn, MacPeak & Seas, PLLC

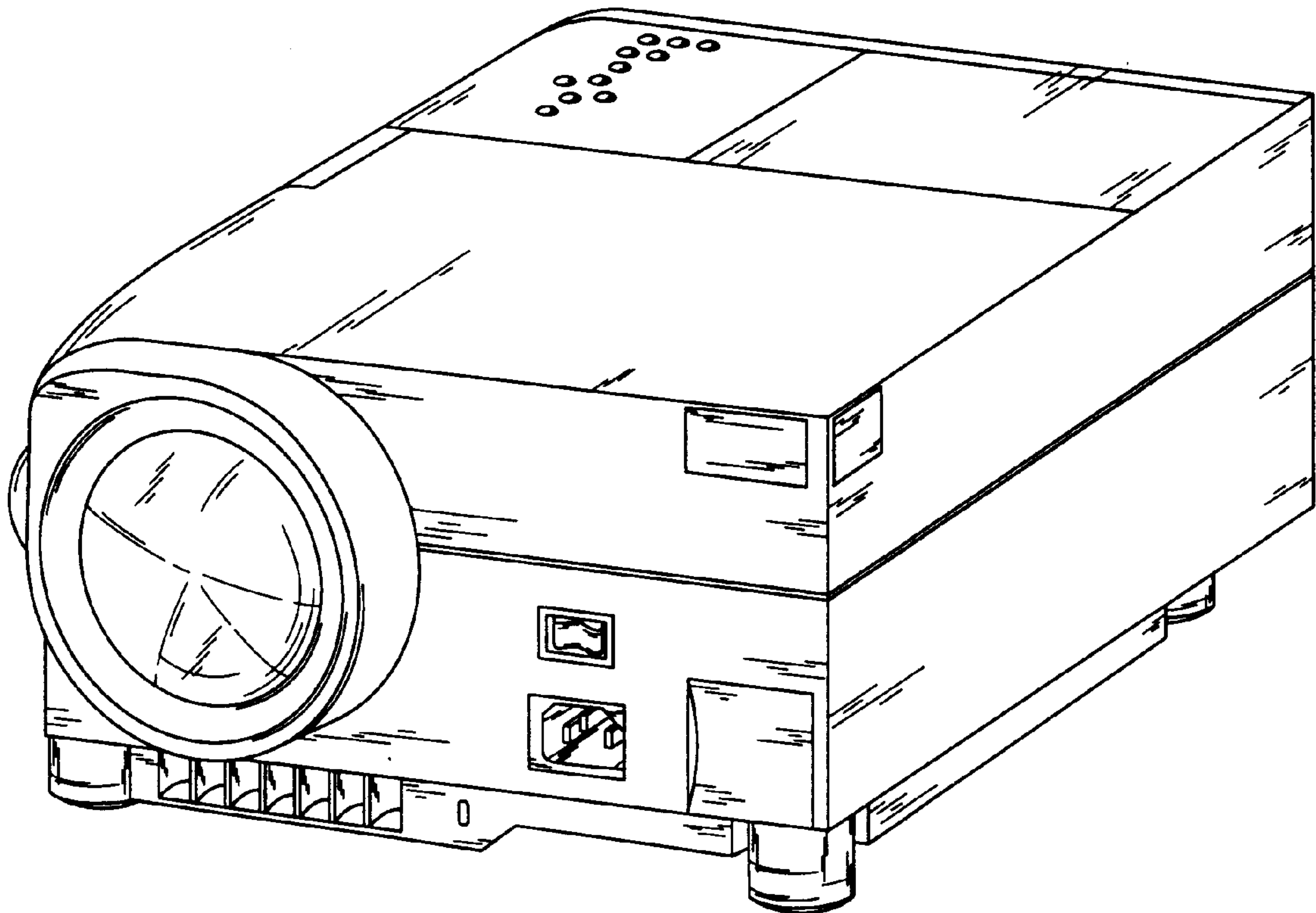
[57] **CLAIM**

The ornamental design for an LCD projector, as shown.

DESCRIPTION

FIG. 1 is a perspective view of the top, front and right side of an LCD projector showing our new design; FIG. 2 is a top plan view thereof; FIG. 3 is a bottom plan view thereof; FIG. 4 is a rear elevational view thereof; FIG. 5 is a front elevational view thereof; FIG. 6 is a right side elevational view thereof; and, FIG. 7 is a left side elevational view thereof.

1 Claim, 5 Drawing Sheets



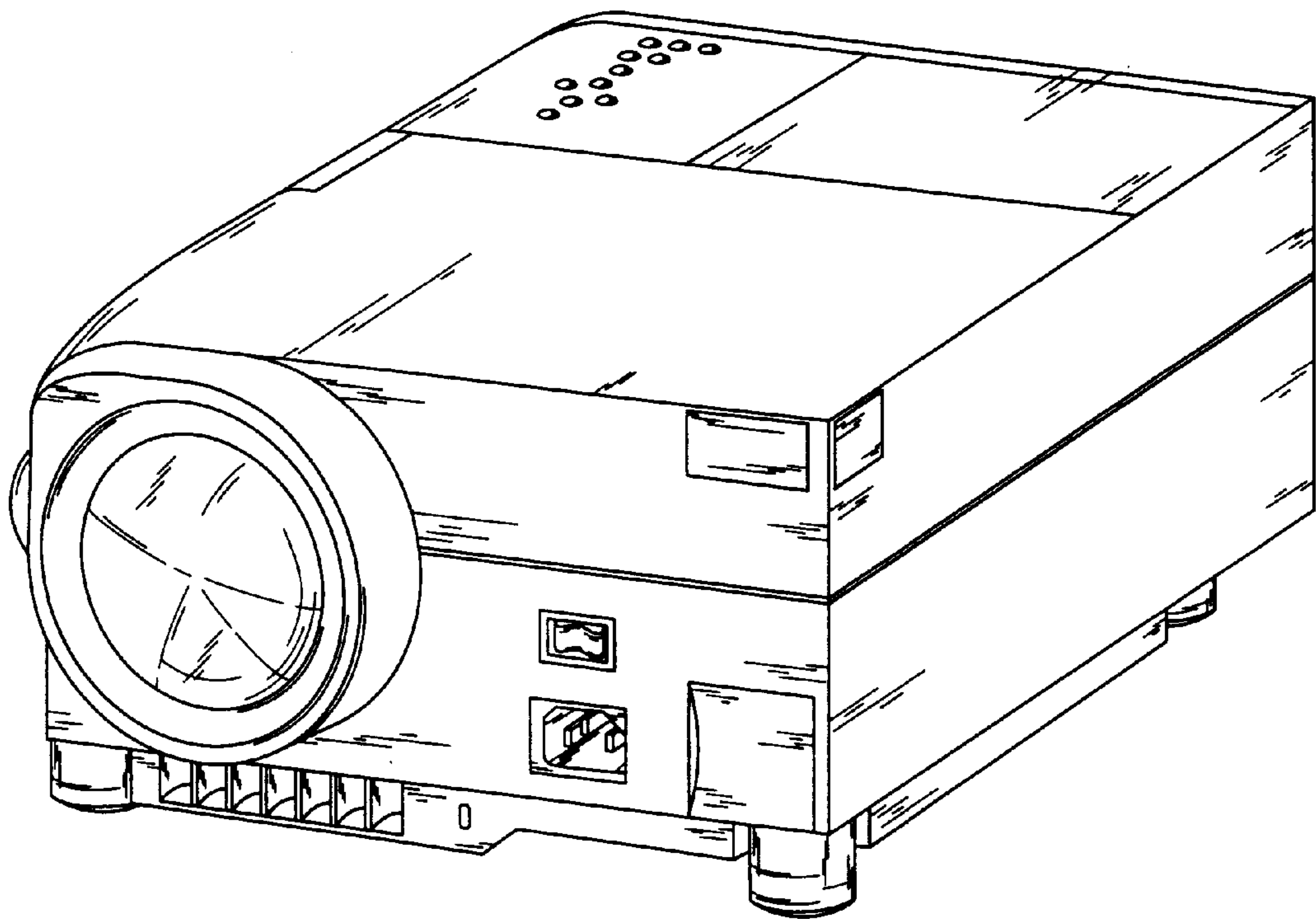


Fig. 1

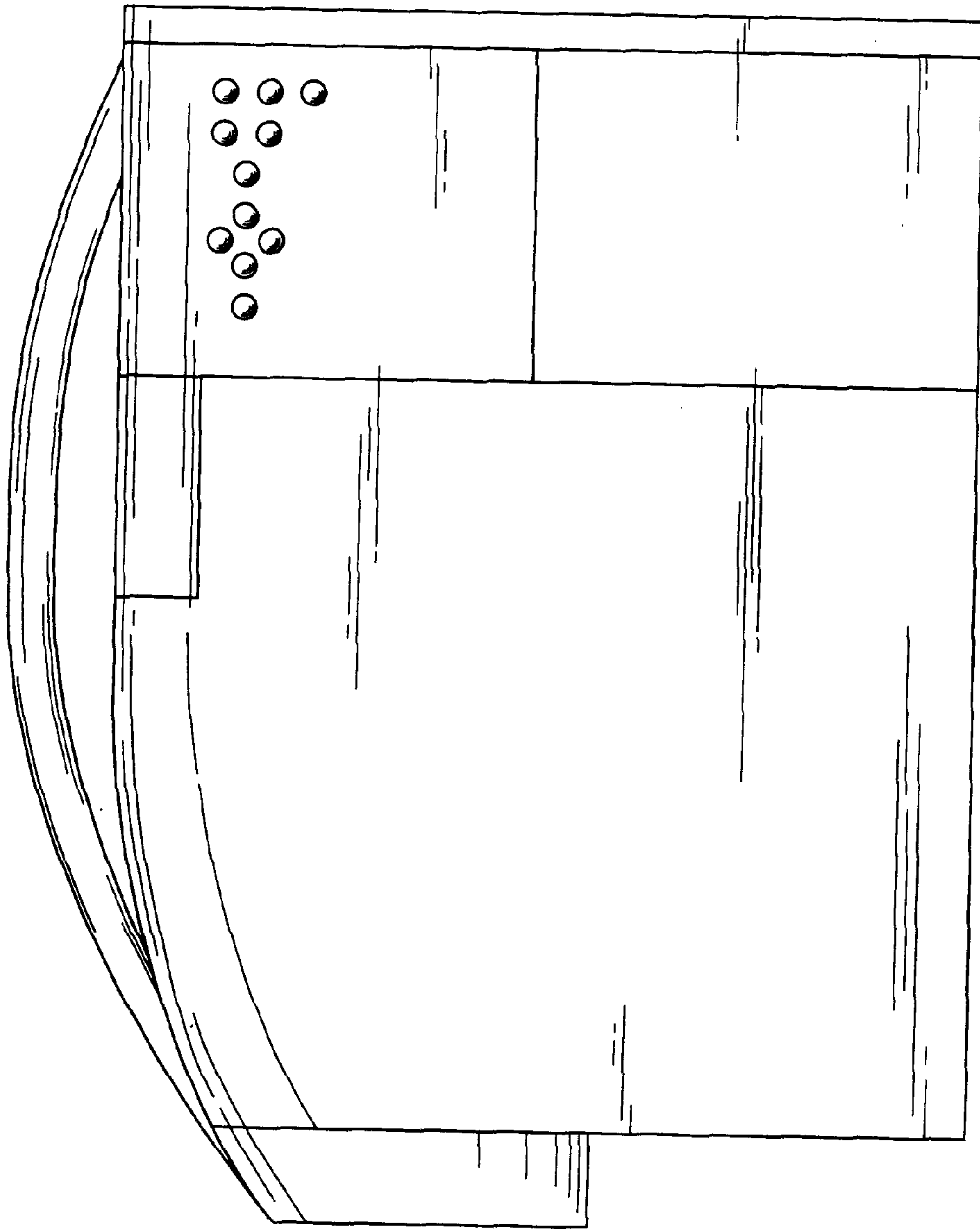


Fig. 2

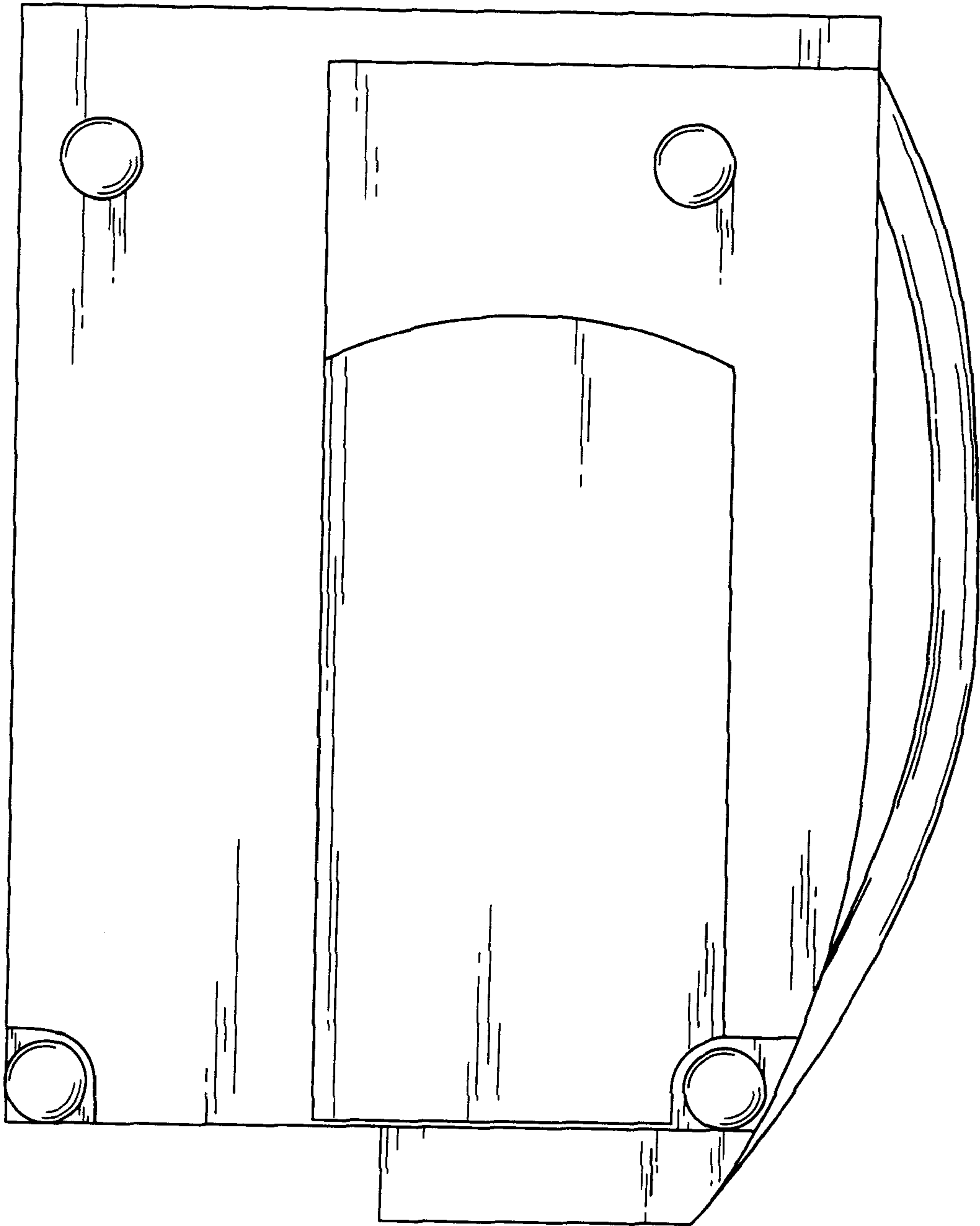


Fig. 3

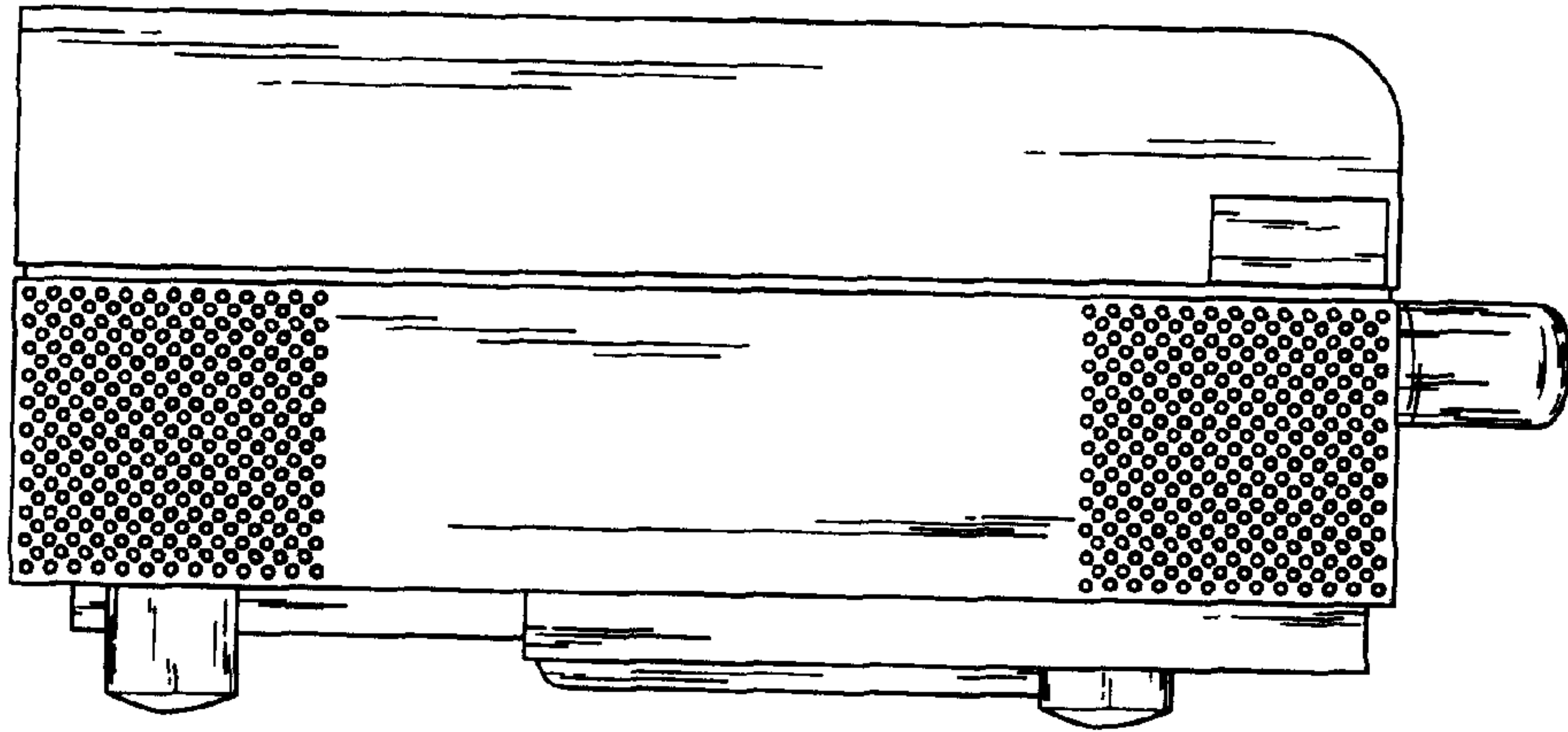


Fig. 4

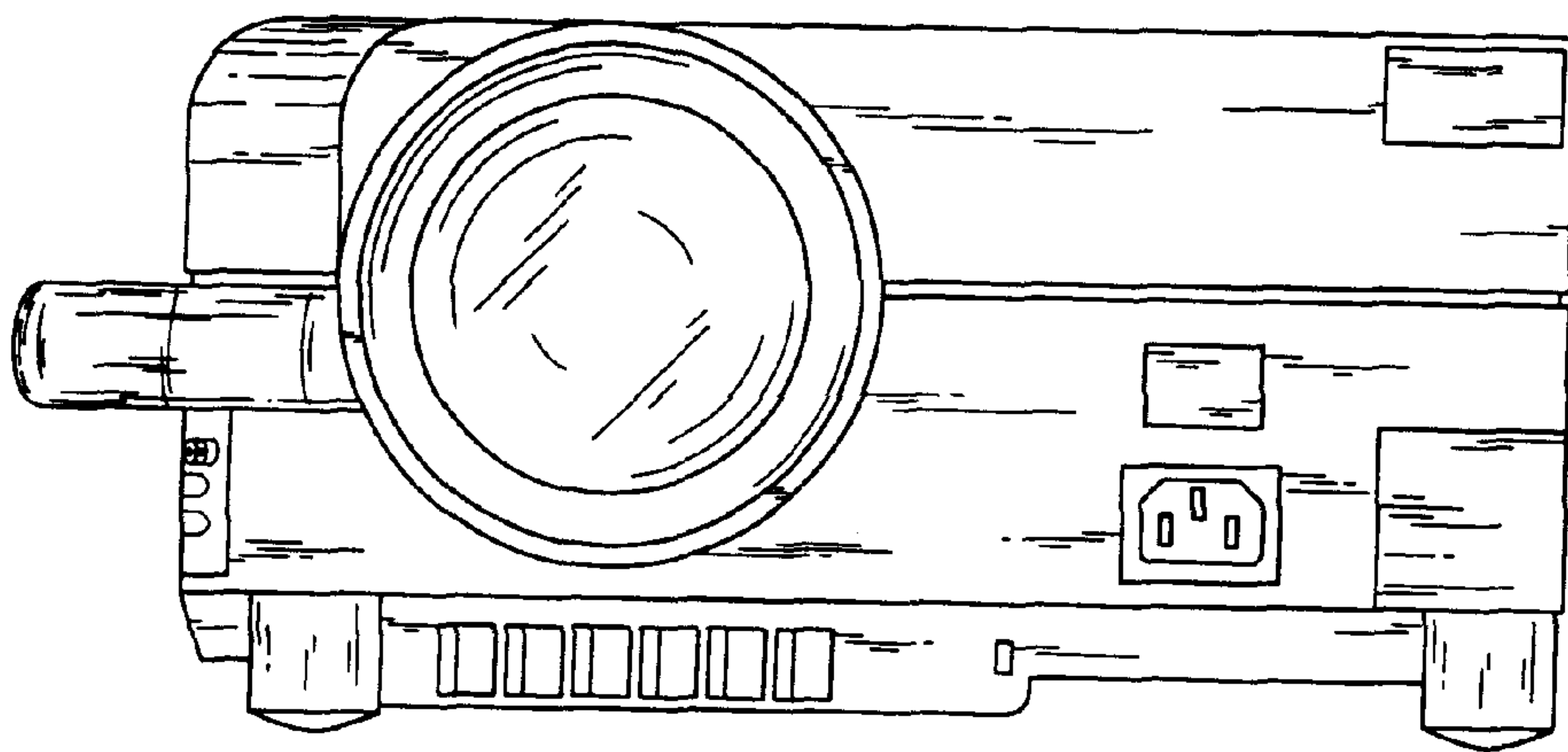


Fig. 5

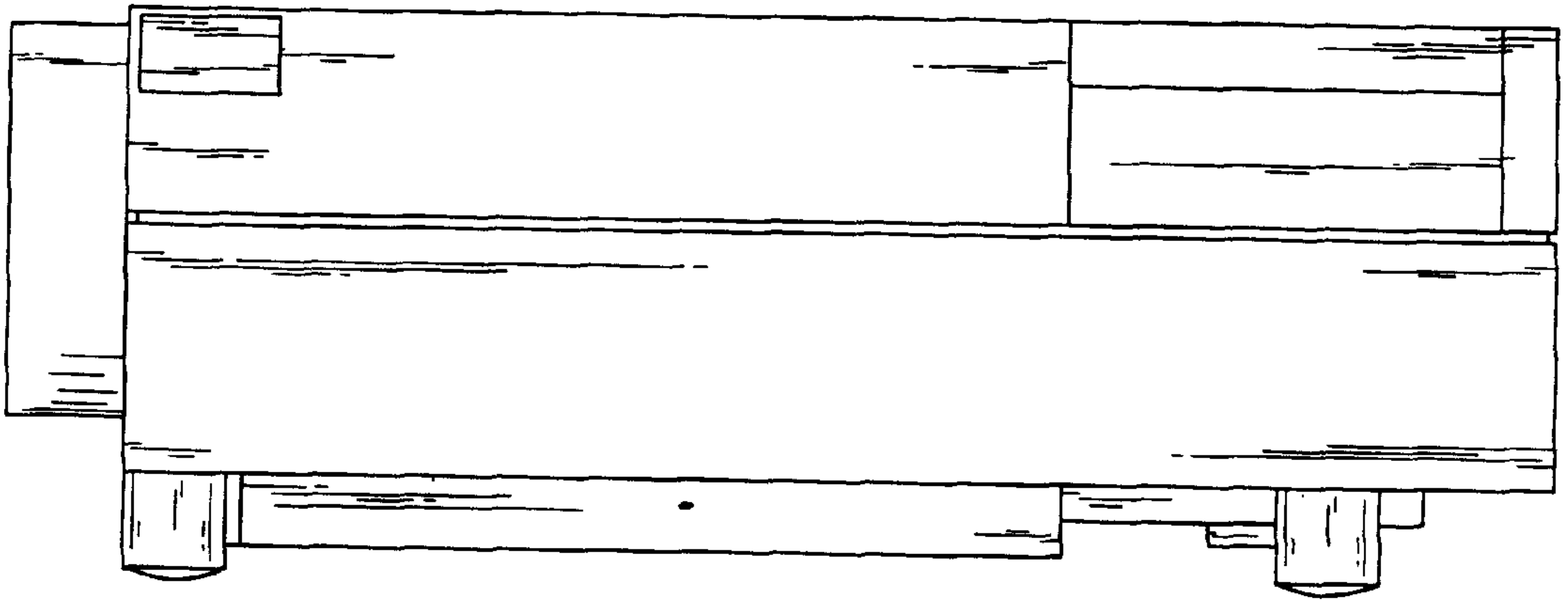


Fig. 6

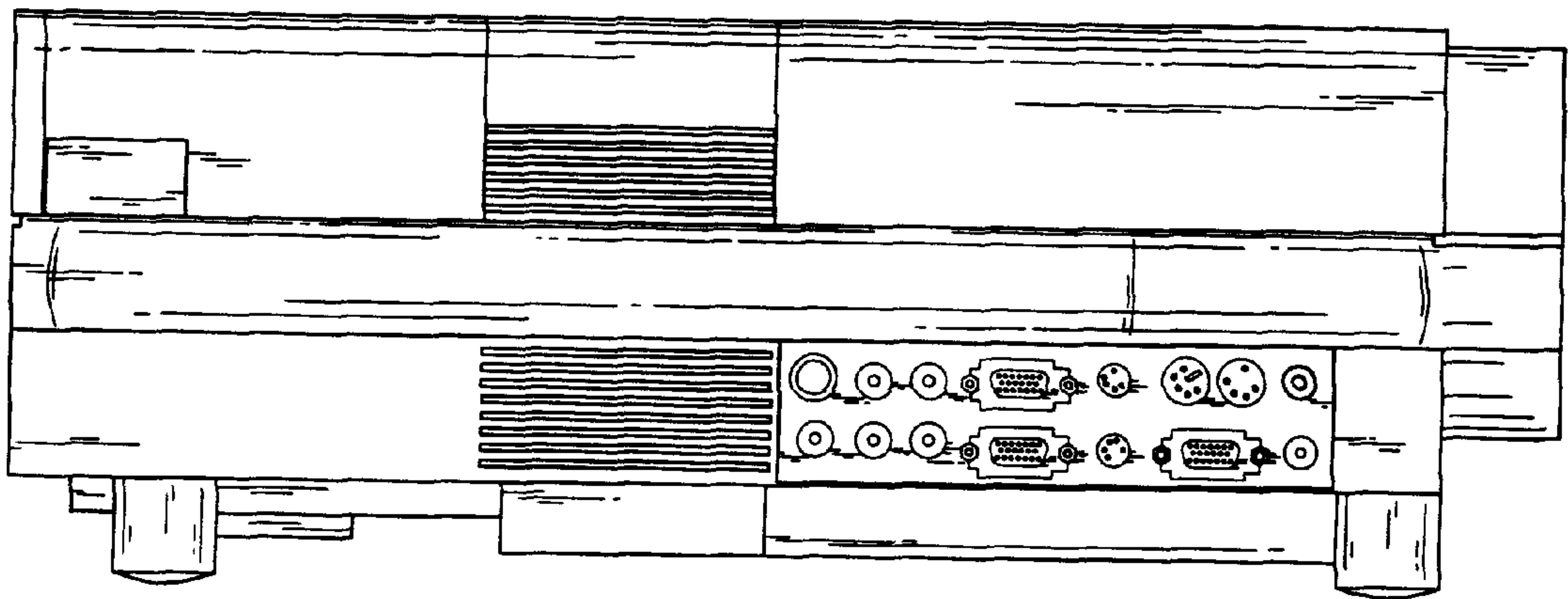


Fig. 7