



US00D421032S

# United States Patent [19] Oka

[11] **Patent Number: Des. 421,032**

[45] **Date of Patent: \*\* Feb. 22, 2000**

[54] **STABILIZER FOR A VIDEO CAMERA**

4,053,910 10/1977 Bodnar ..... 396/544  
4,137,540 1/1979 Curtis ..... 396/545

[75] Inventor: **Hiroki Oka**, Tokyo, Japan

### OTHER PUBLICATIONS

[73] Assignee: **Sony Corporation**, Tokyo, Japan

Catalog "Sony Broadcast", pp. 17, 22 & 32, Sony (Oct. 1994).

[\*\*] Term: **14 Years**

*Primary Examiner*—Adir Aronovich  
*Attorney, Agent, or Firm*—Foley & Lardner

[21] Appl. No.: **29/094,020**

[22] Filed: **Sep. 24, 1998**

### [57] CLAIM

### [30] Foreign Application Priority Data

The ornamental design for a stabilizer for a video camera, as shown and described.

Mar. 30, 1998 [JP] Japan ..... 10-8566

[51] **LOC (7) Cl.** ..... **16-06**

### DESCRIPTION

[52] **U.S. Cl.** ..... **D16/136; D16/237**

[58] **Field of Search** ..... D16/134, 136,  
D16/219, 237; 359/815, 819, 826-828;  
396/529-531, 544, 545

FIG. 1 is a perspective view of a stabilizer for a video camera showing my new design;  
FIG. 2 is a top plan view thereof;  
FIG. 3 is a left side elevational view thereof;  
FIG. 4 is a front elevational view thereof;  
FIG. 5 is a bottom plan view thereof;  
FIG. 6 is a right side elevational view thereof; and,  
FIG. 7 is a rear elevational view thereof.

### [56] References Cited

#### U.S. PATENT DOCUMENTS

D. 398,315 9/1998 Miyamoto ..... D16/134  
3,782,260 1/1974 Ettischer et al. .... 396/530

**1 Claim, 4 Drawing Sheets**

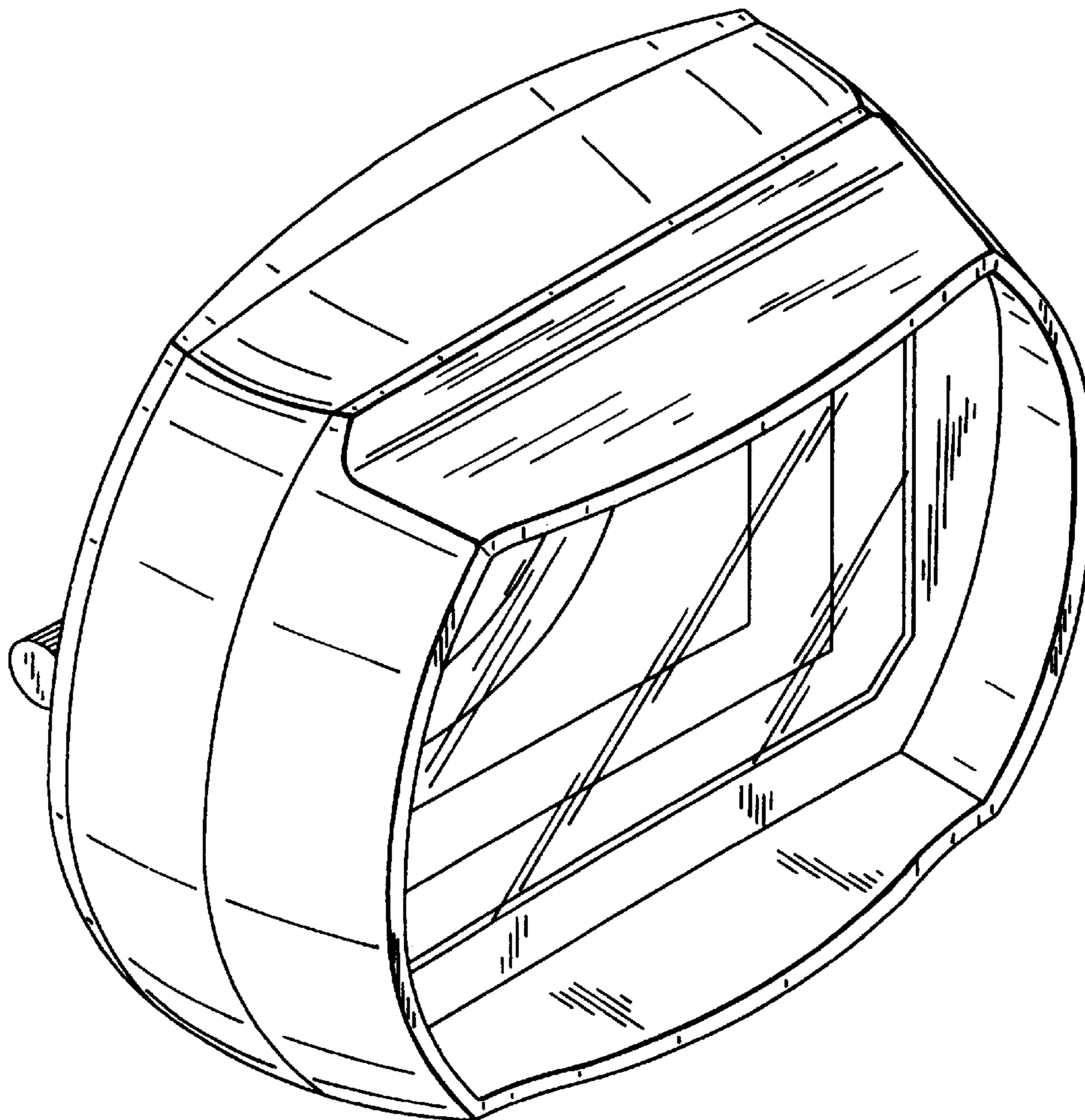


FIG. 1

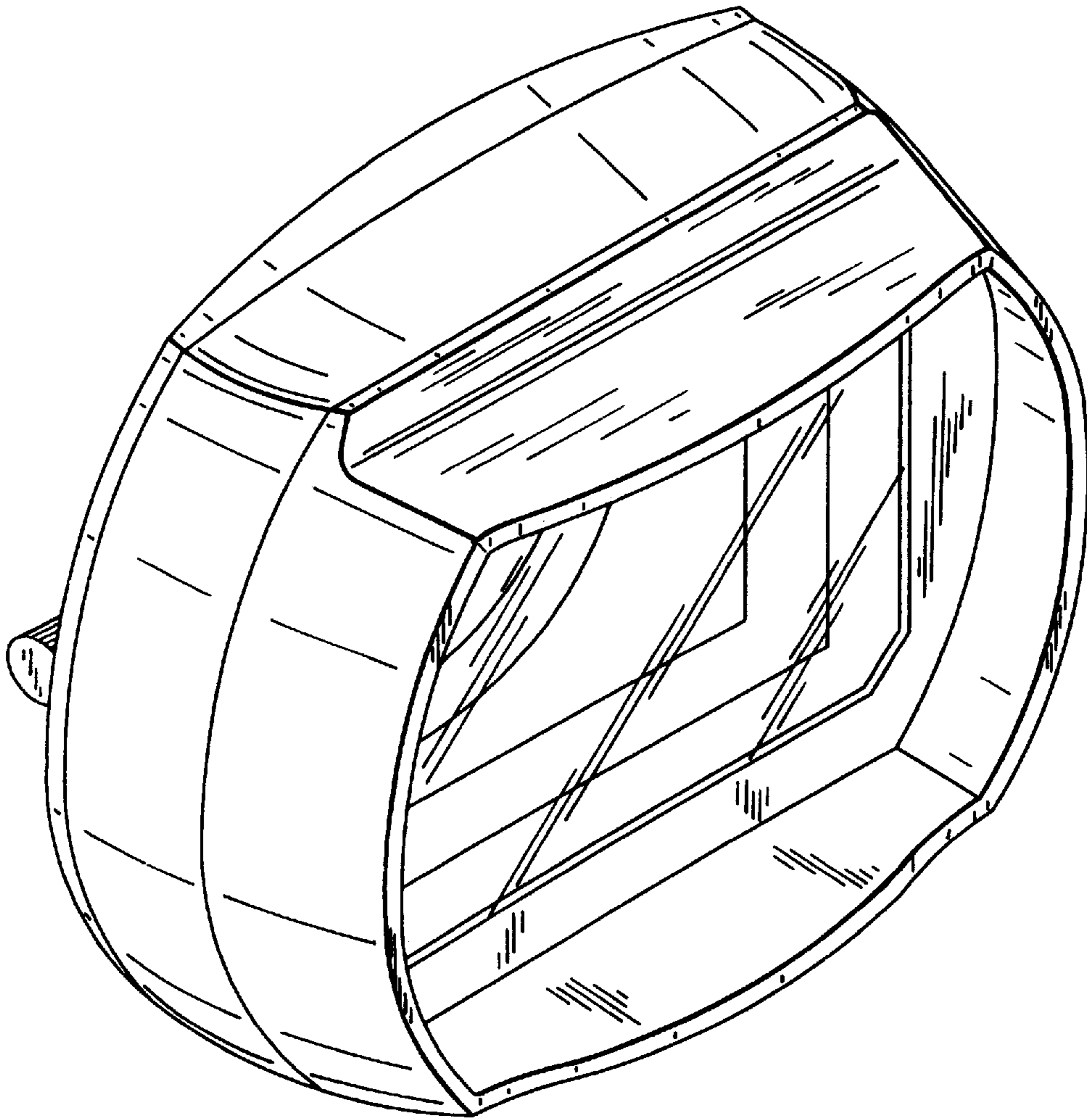


FIG. 2

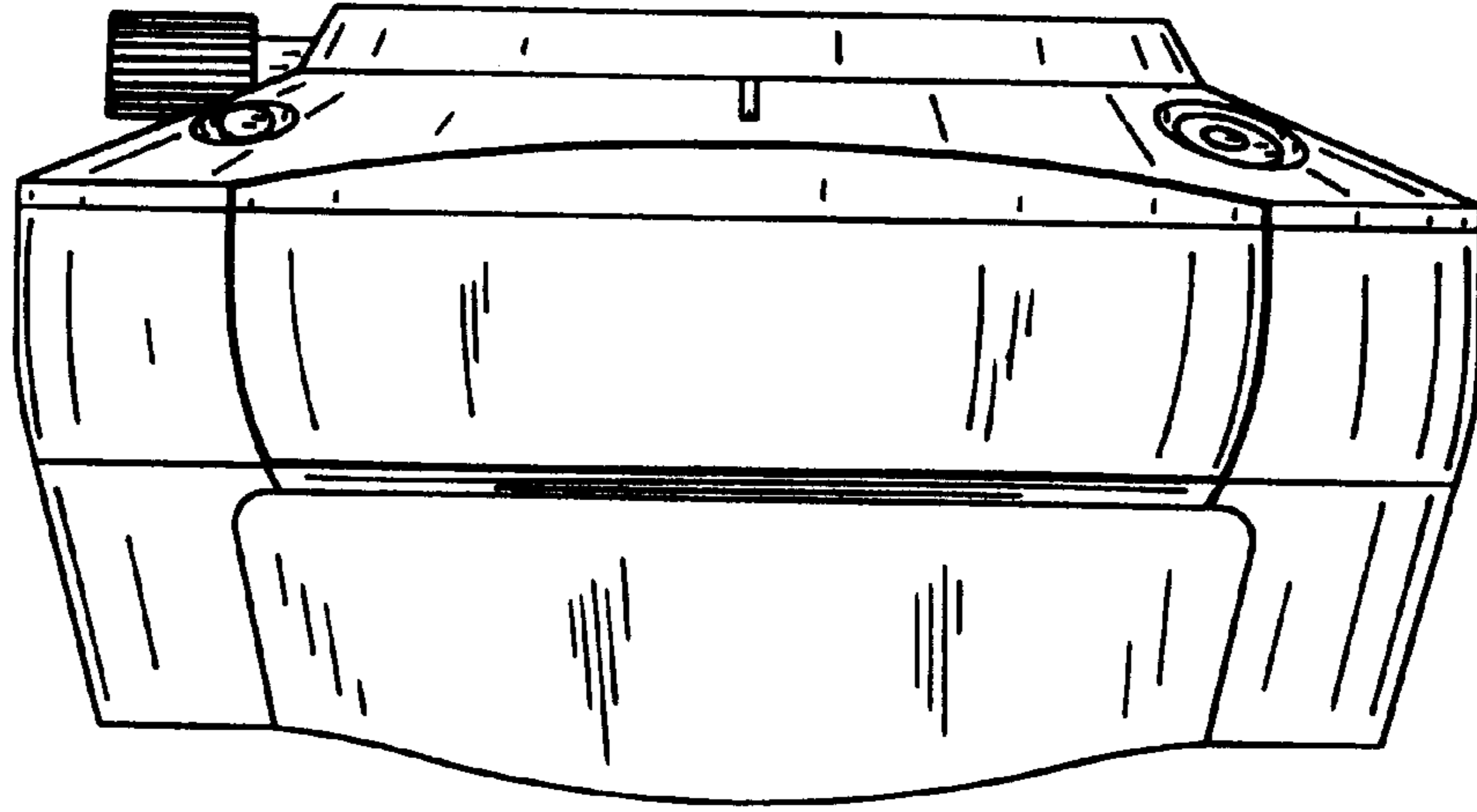


FIG. 5

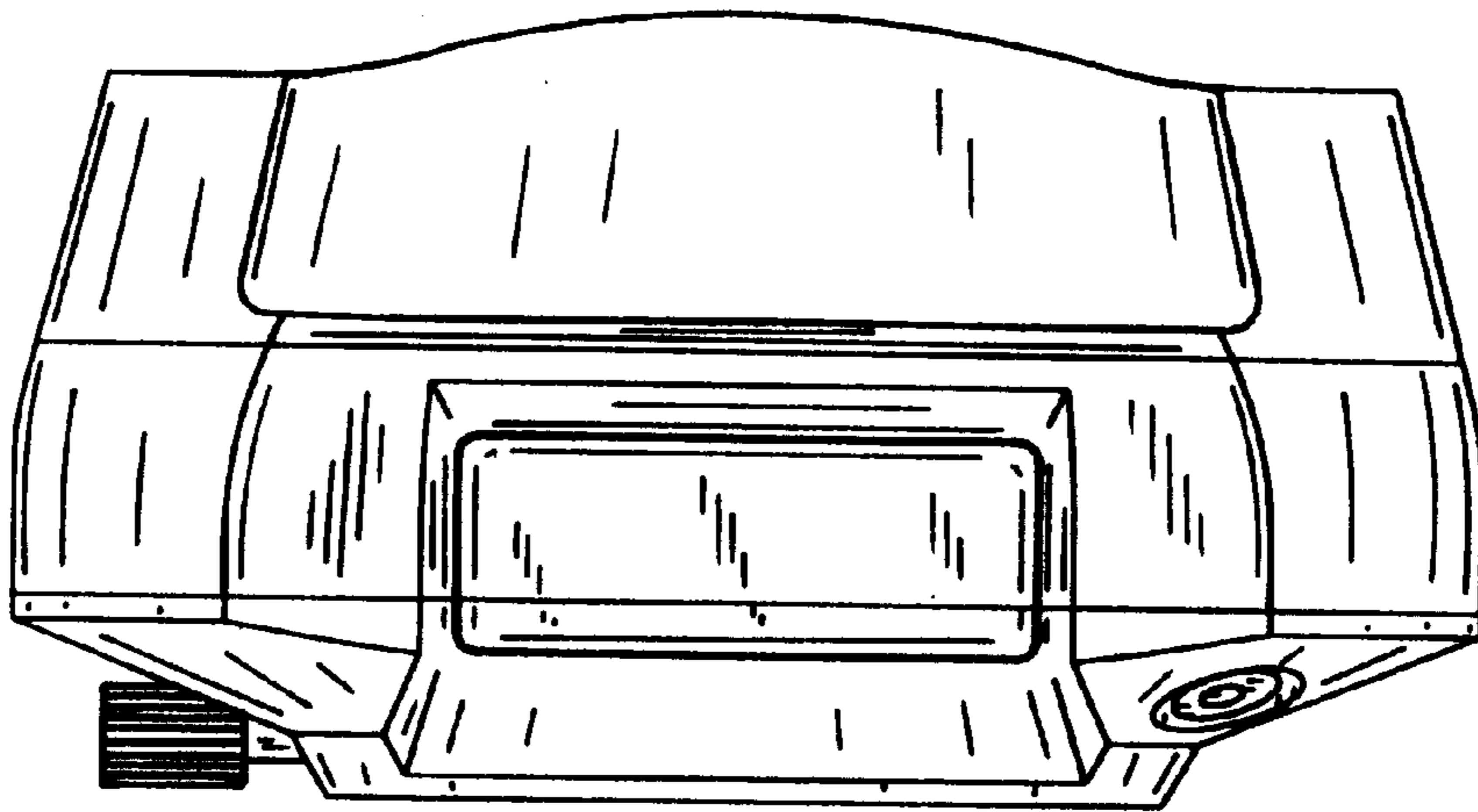


FIG. 6

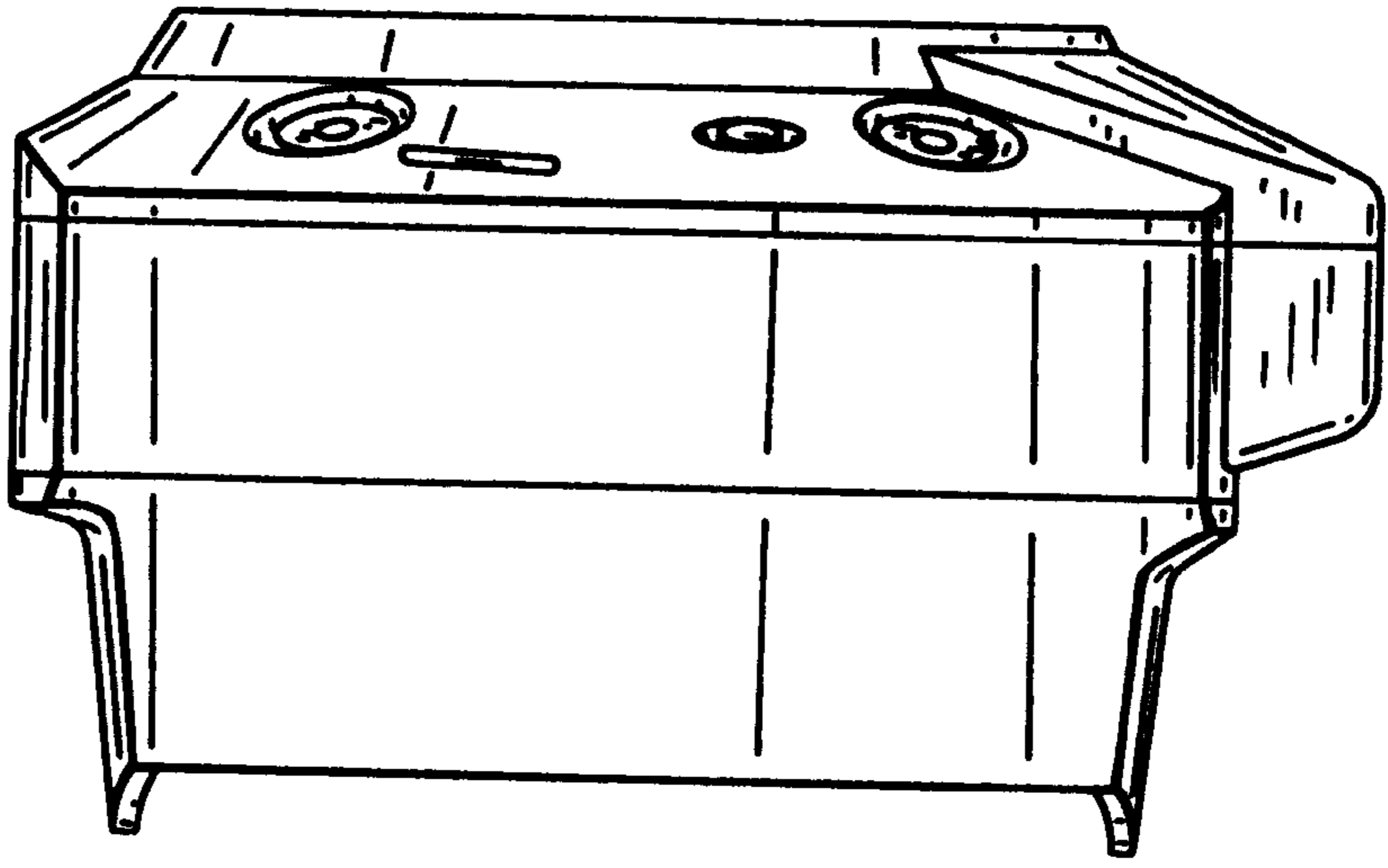


FIG. 3

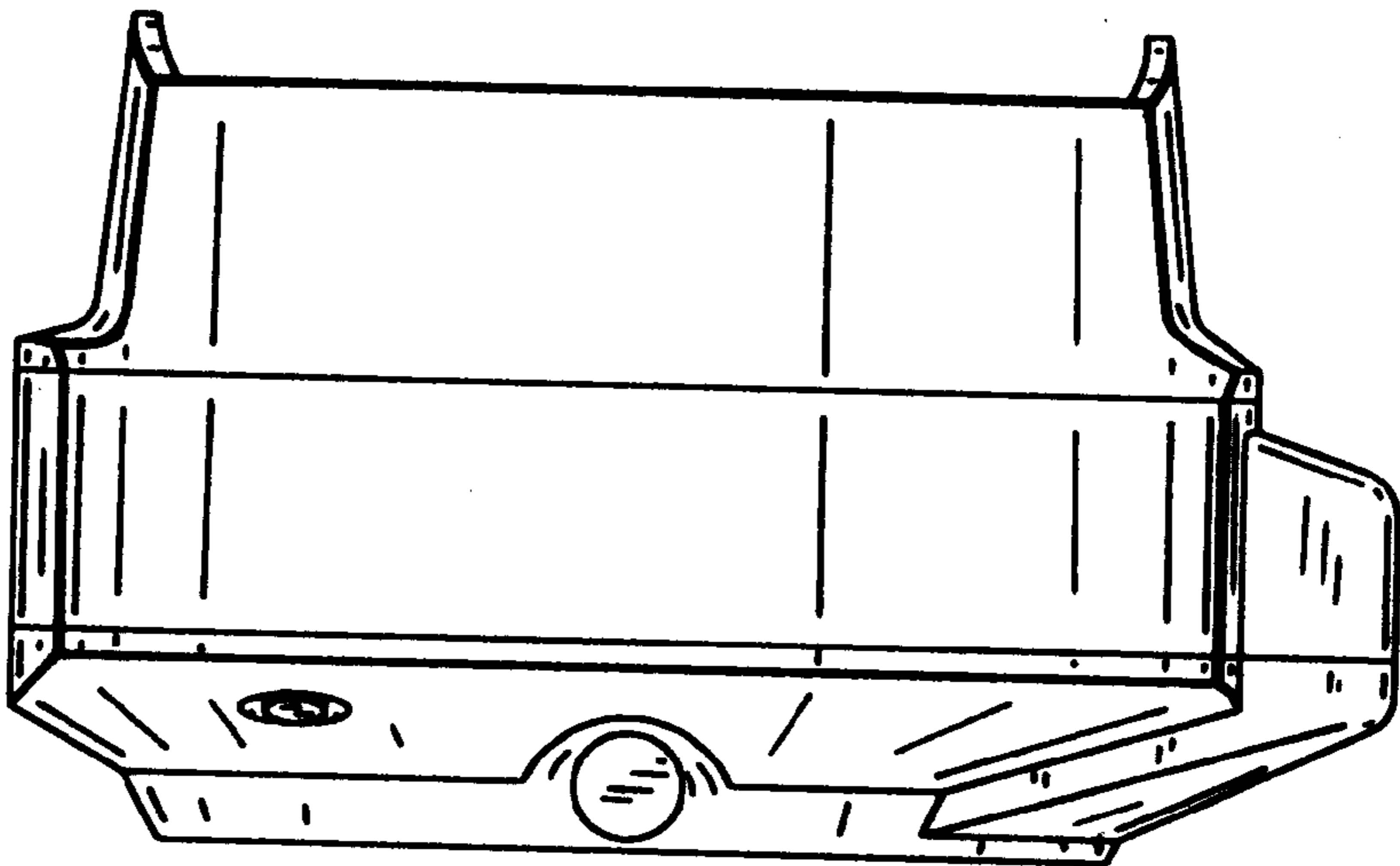


FIG. 7

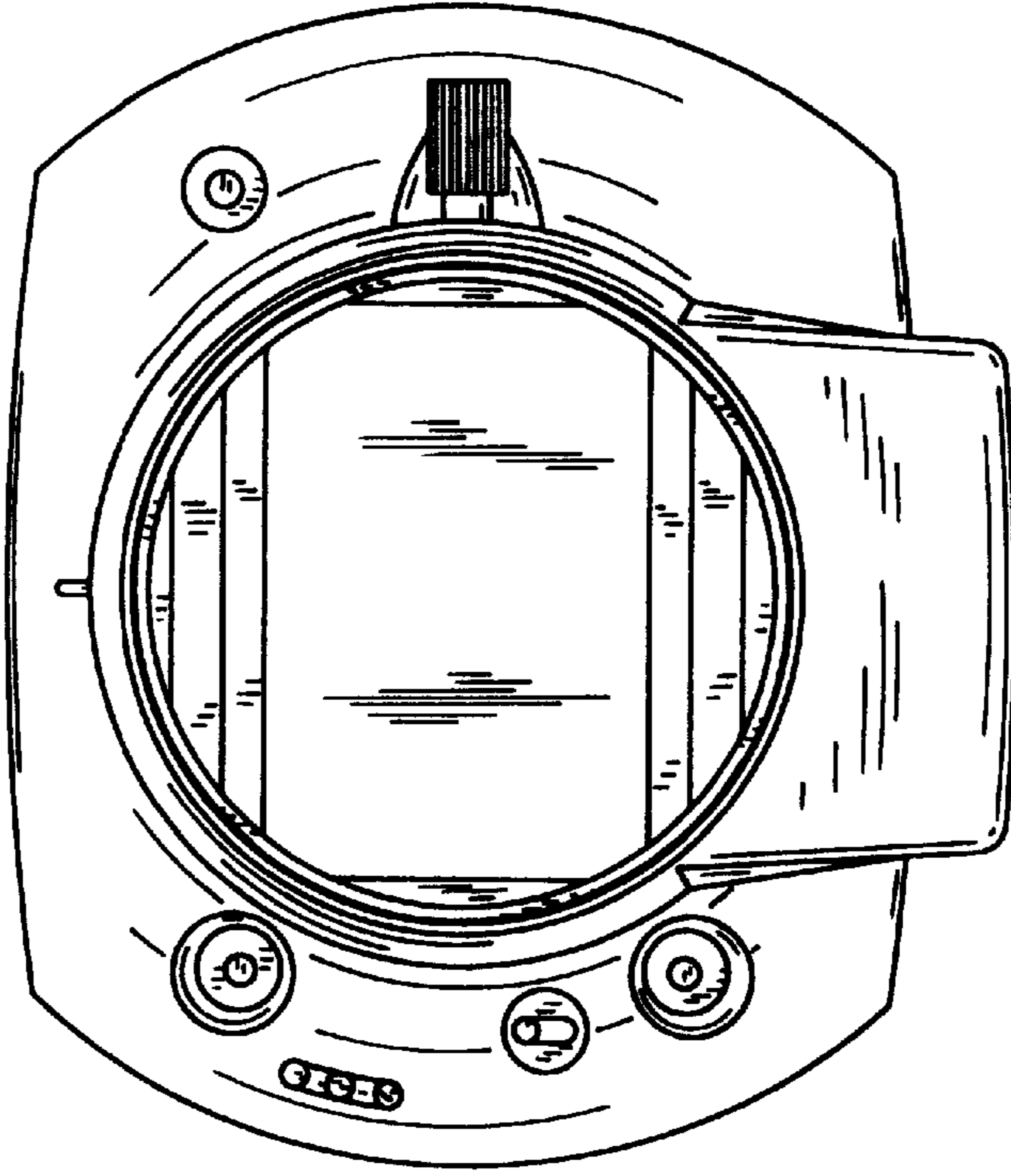


FIG. 4

