



US00D421030S

United States Patent [19]
Panaccione et al.

[11] **Patent Number: Des. 421,030**
[45] **Date of Patent: ** Feb. 22, 2000**

[54] **DRILL-DRIVEN PAINT STIRRER**

[75] Inventors: **Mark T. Panaccione**, Tigard, Oreg.;
Steven J. Corron, Shrewsbury; **Mark S. Corriveau**, Sturbridge, both of Mass.

[73] Assignee: **Hyde Manufacturing Company**,
Southbridge, Mass.

[**] Term: **14 Years**

[21] Appl. No.: **29/094,596**

[22] Filed: **Oct. 6, 1998**

[51] **LOC (7) Cl.** **15-09**

[52] **U.S. Cl.** **D15/147; D7/376**

[58] **Field of Search** **D15/147; D7/376;**
366/327.3, 343, 330.1

[56] **References Cited**

U.S. PATENT DOCUMENTS

4,054,272 10/1977 Cooke 366/343
4,735,510 4/1988 Barbour et al. D7/376 X

Primary Examiner—Antoine Duval Davis
Attorney, Agent, or Firm—Louis J. Franco

[57] **CLAIM**

The ornamental design for a drill-driven paint stirrer, as shown and described.

DESCRIPTION

FIG. 1 is a front or rear elevational view of a first embodi-

ment of our new design for a drill-driven paint stirrer, the front and rear sides being identical in appearance;

FIG. 2 is a left or right side elevational view thereof, the left and right sides being identical in appearance;

FIG. 3 is a top end elevational view thereof;

FIG. 4 is a bottom end elevational view thereof;

FIG. 5 is a sectional view along plane 5—5 on FIG. 1;

FIG. 6 is a sectional view along plane 6—6 on FIG. 1;

FIG. 7 is a top perspective view thereof;

FIG. 8 is a bottom perspective thereof;

FIG. 9 is a front or rear elevational view of a second embodiment of our new design for a drill-driven paint stirrer, the front and rear sides being identical in appearance;

FIG. 10 is a left or right side elevational view thereof, the left and right sides being identical in appearance;

FIG. 11 is a top end elevational view thereof;

FIG. 12 is a bottom end elevational view thereof;

FIG. 13 is a top perspective view thereof; and,

FIG. 14 is a bottom perspective thereof.

1 Claim, 10 Drawing Sheets

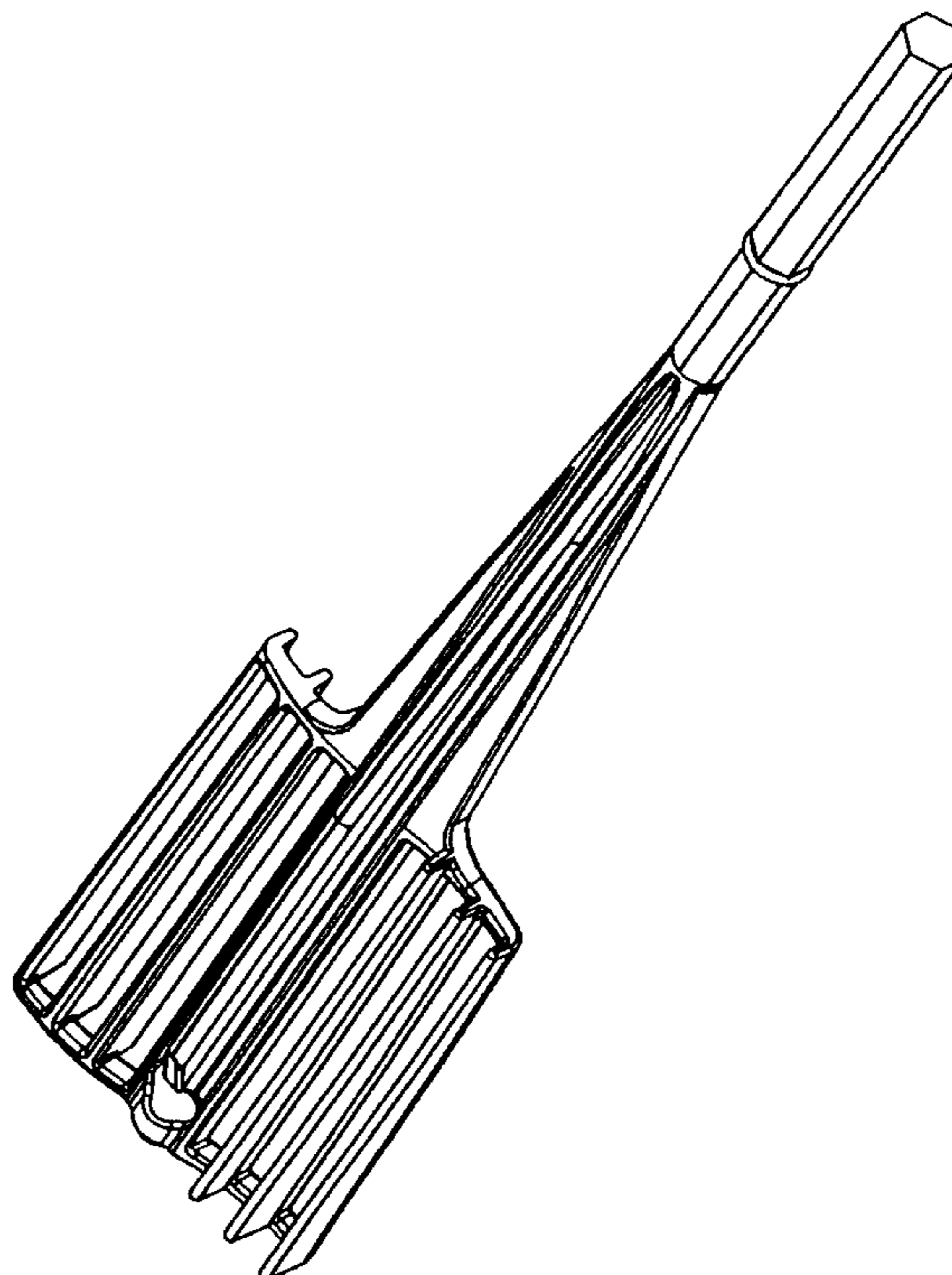


FIG.1

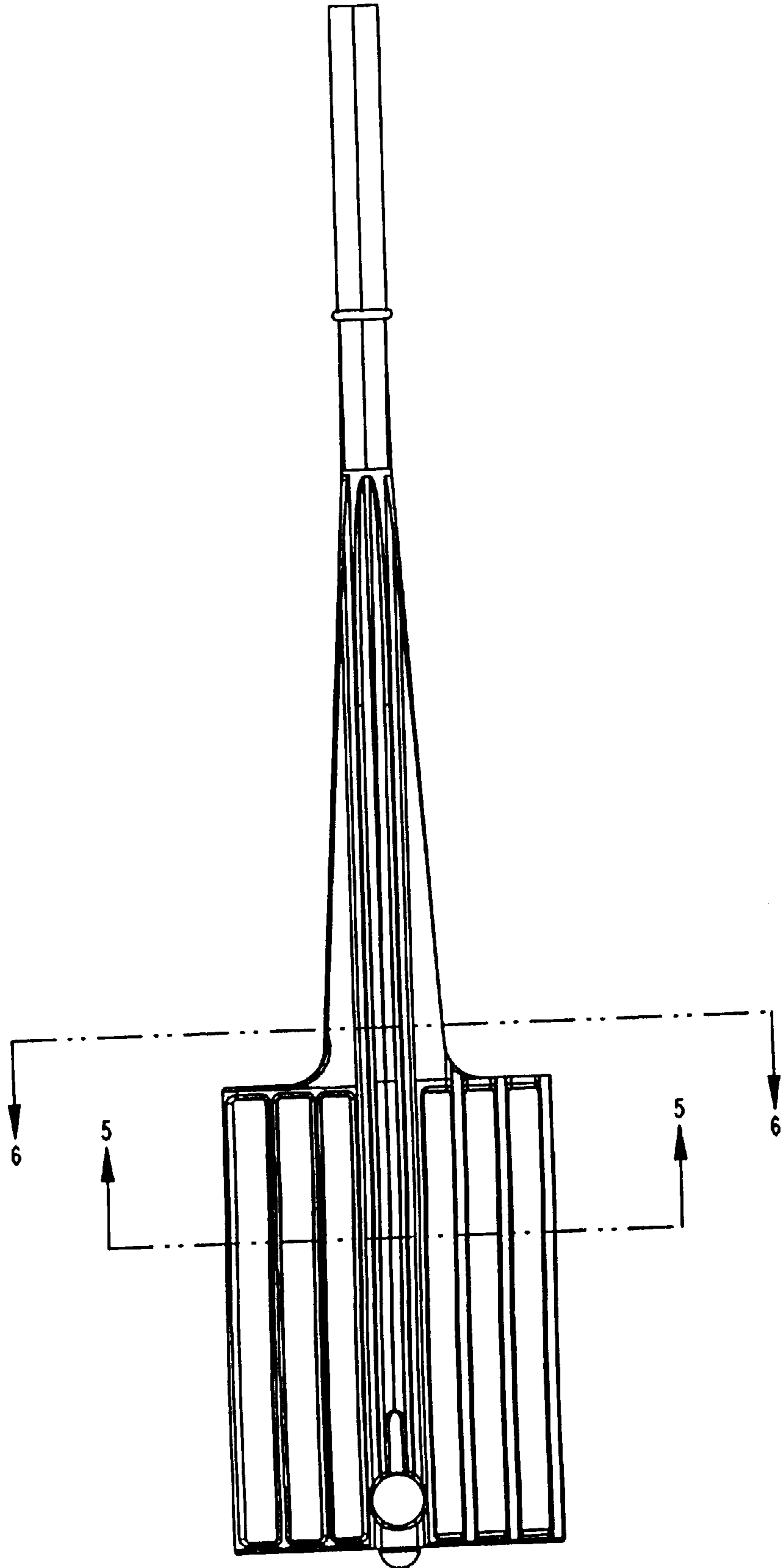




FIG. 2

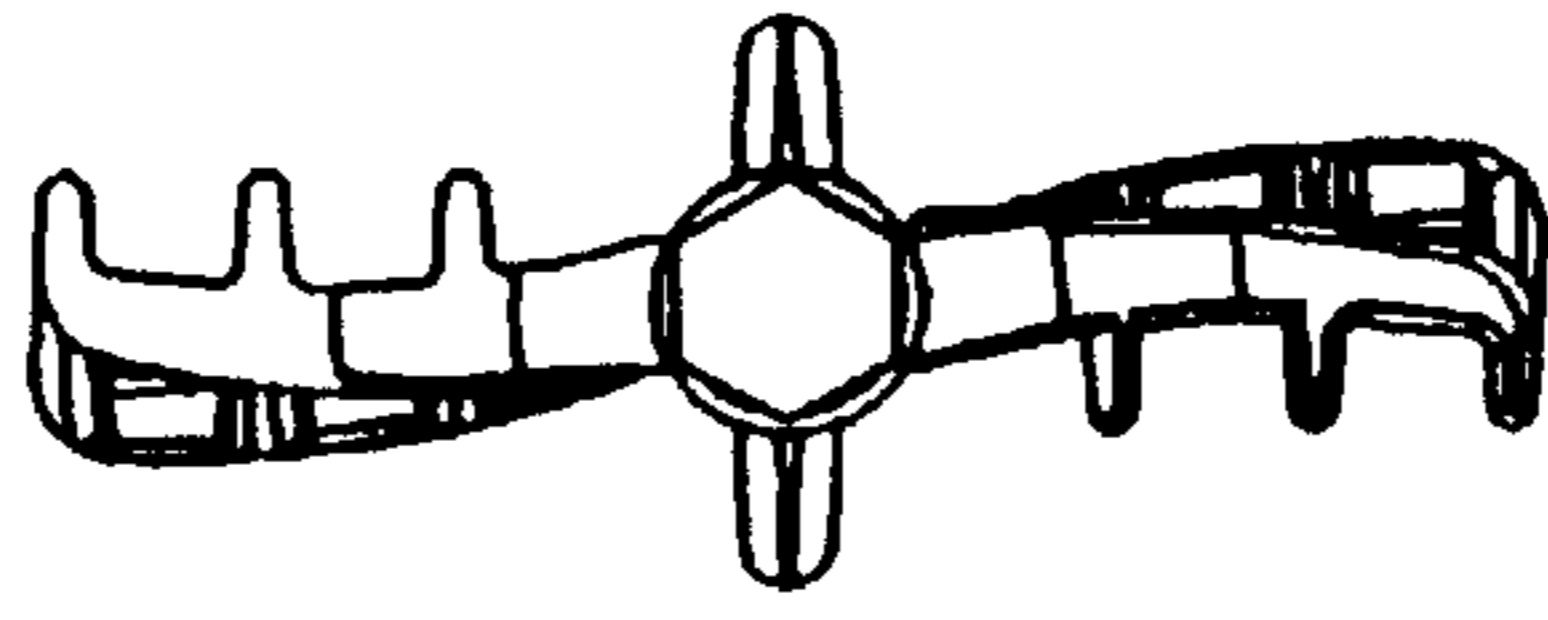


FIG. 3

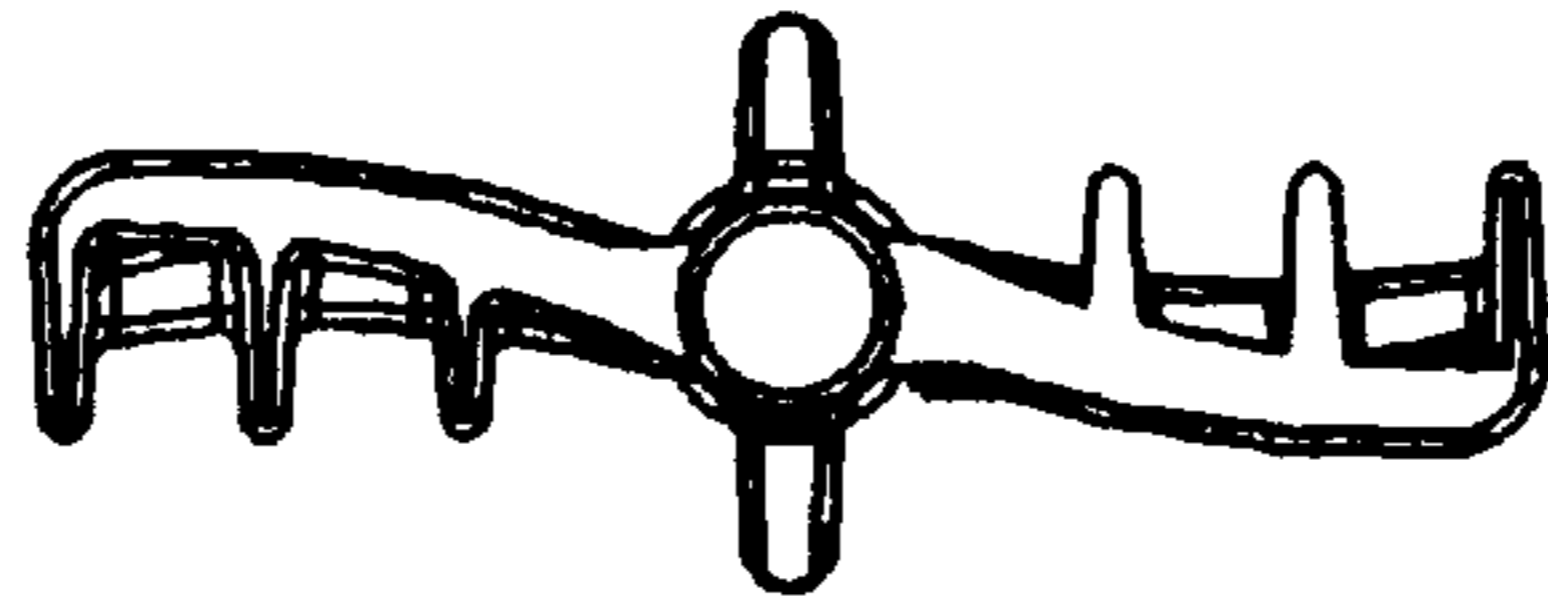


FIG. 4

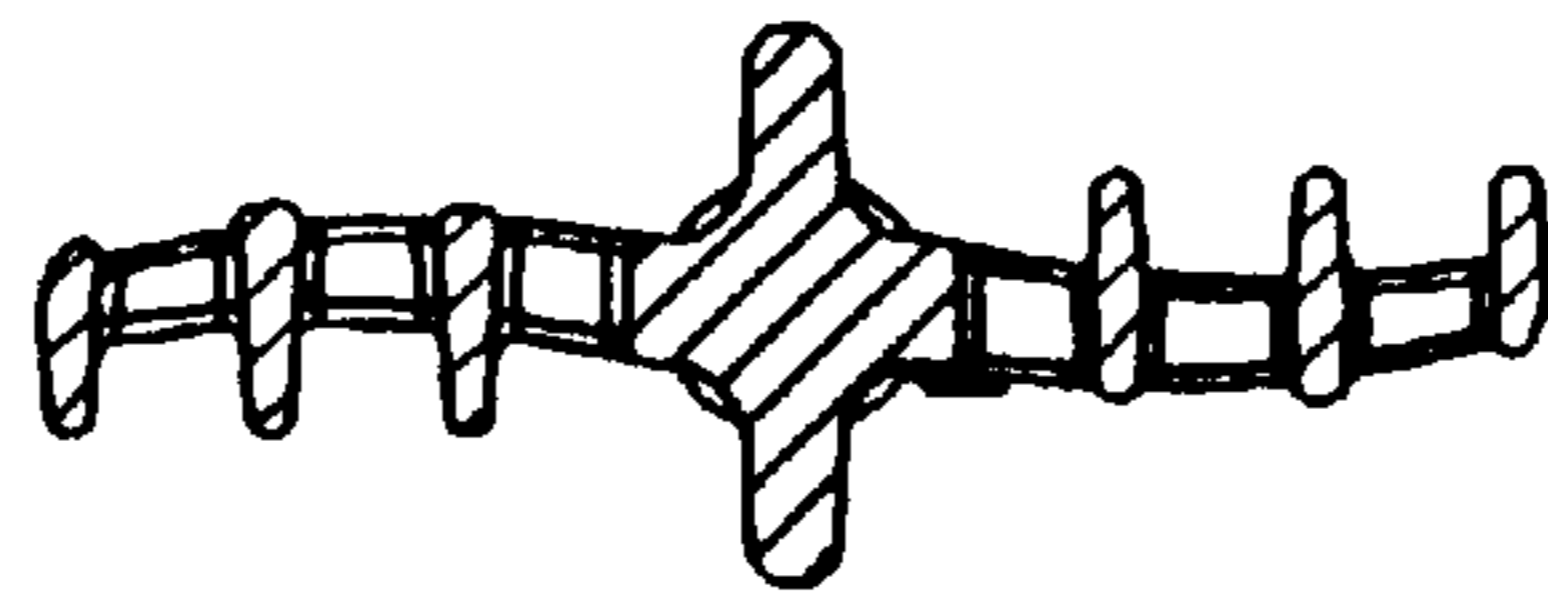


FIG. 5



FIG. 6

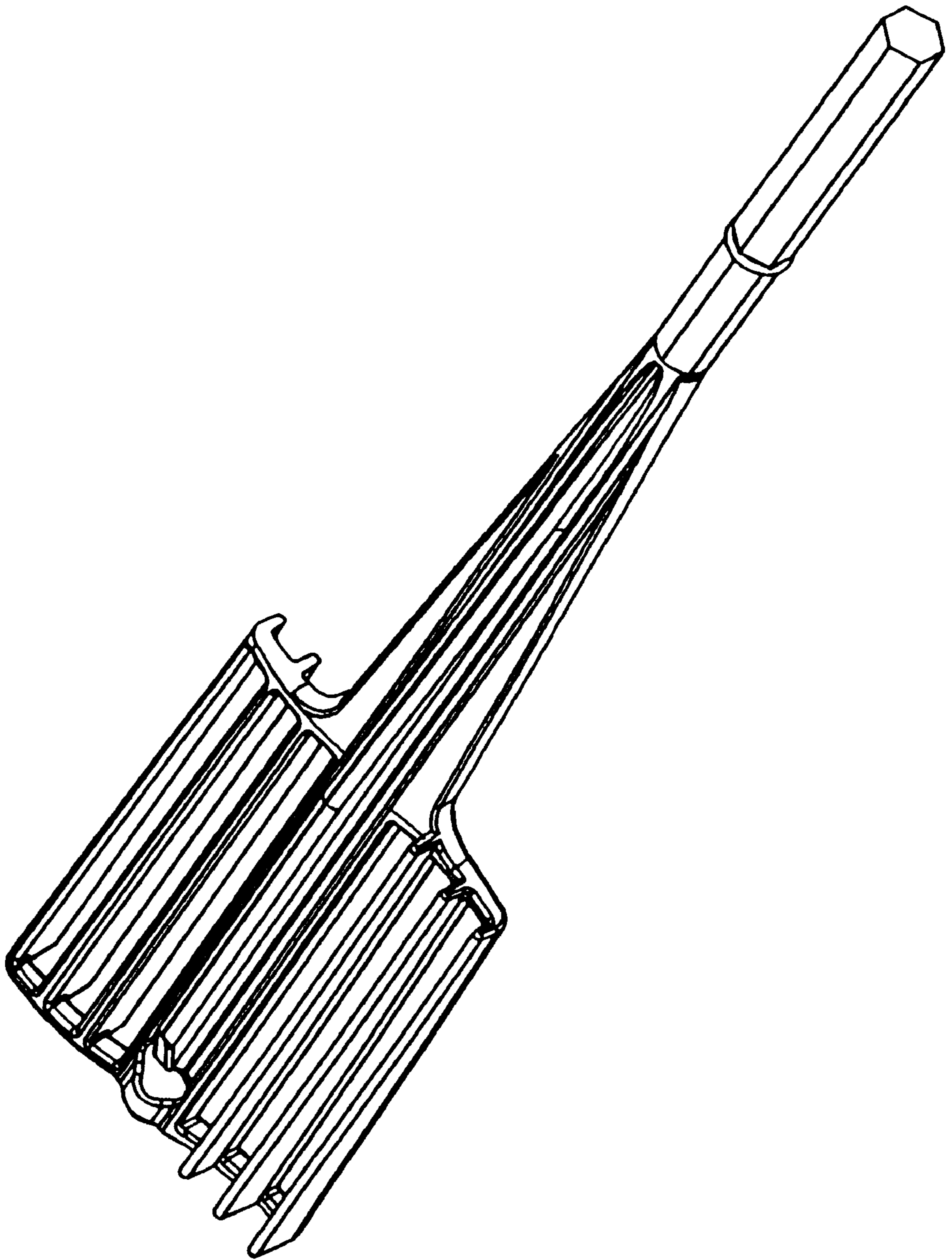


FIG. 7

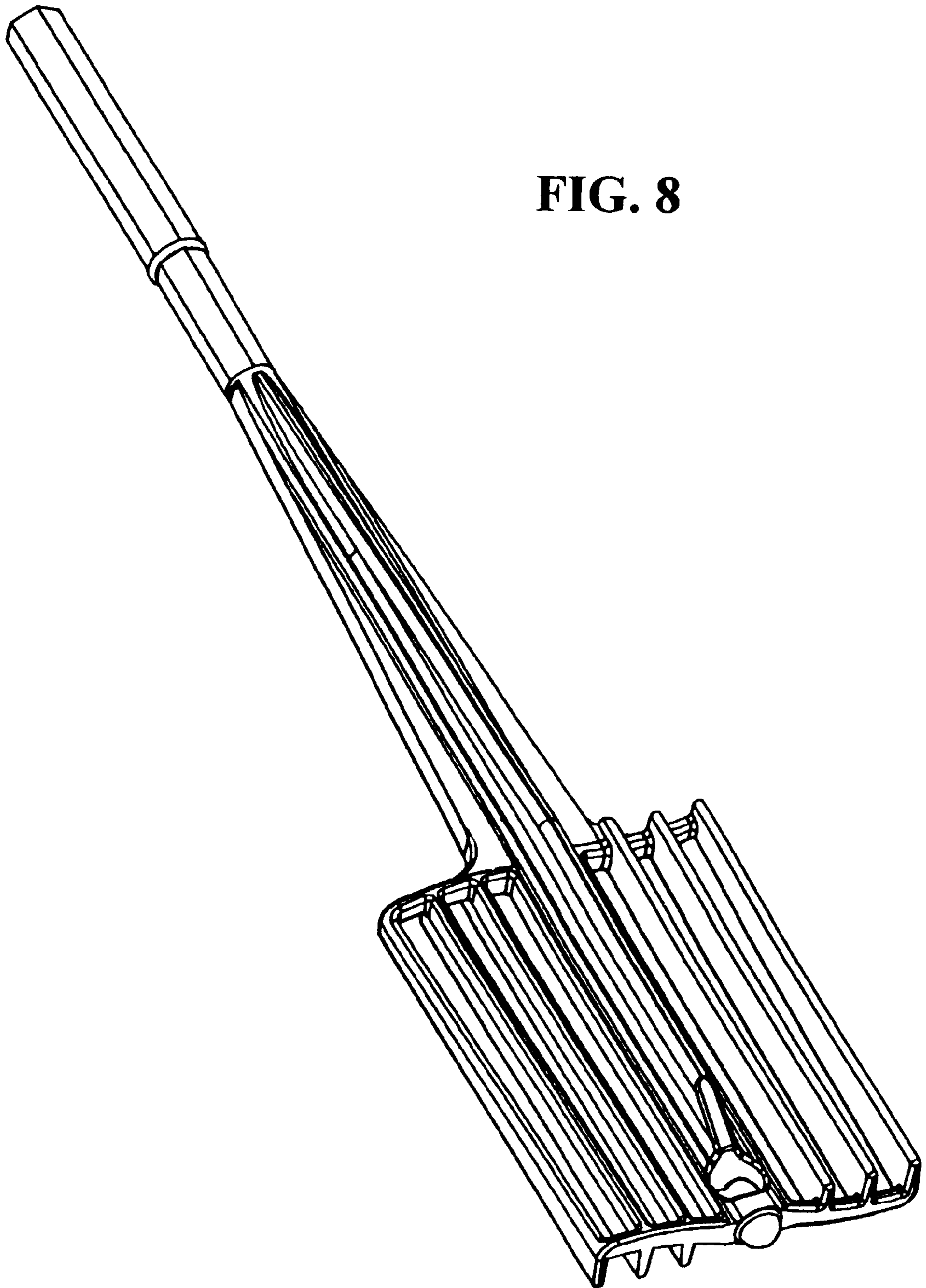


FIG. 8

FIG.9

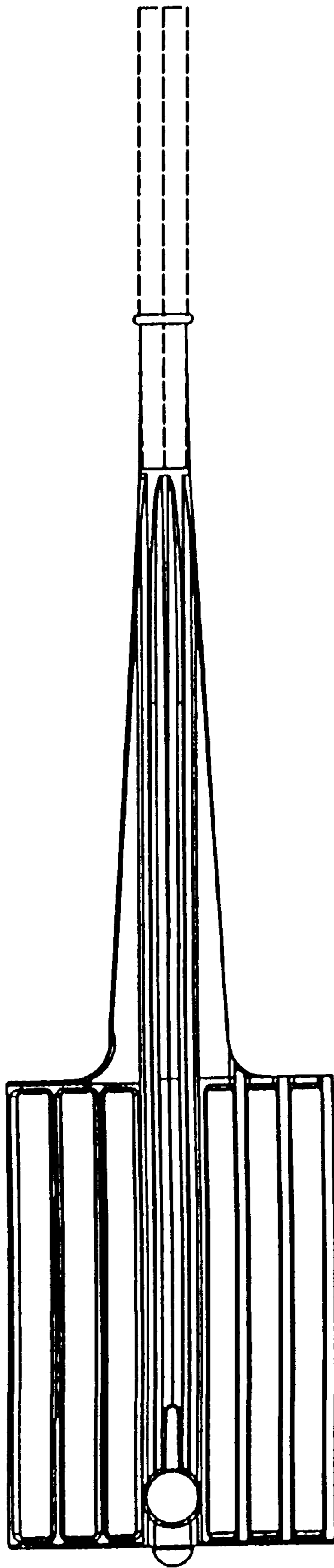




FIG. 10

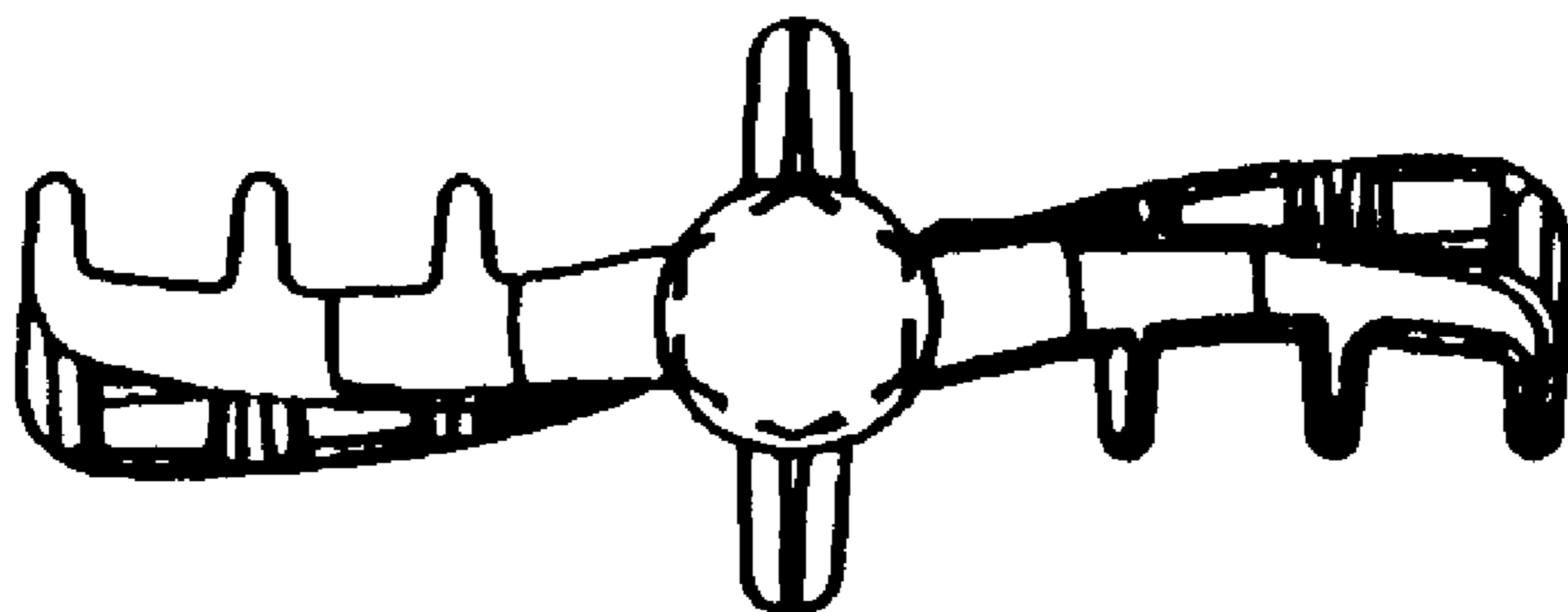


FIG. 11

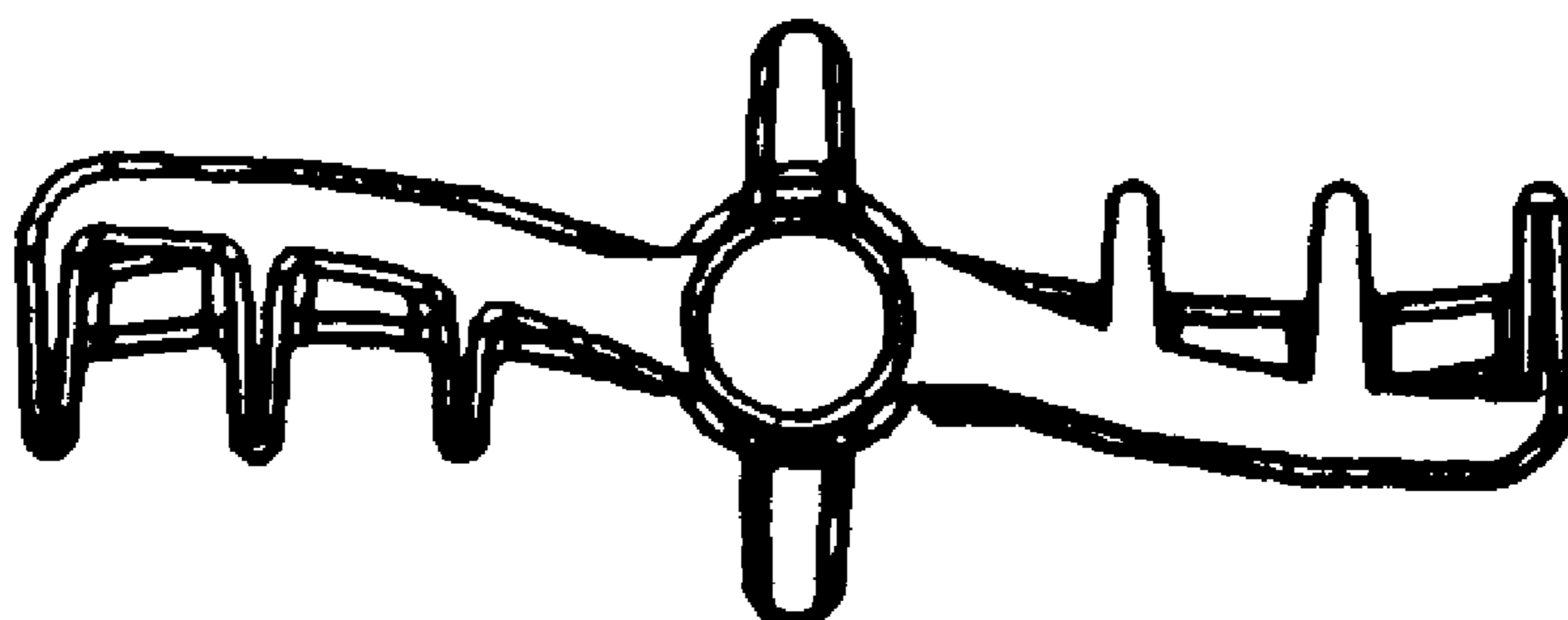


FIG. 12

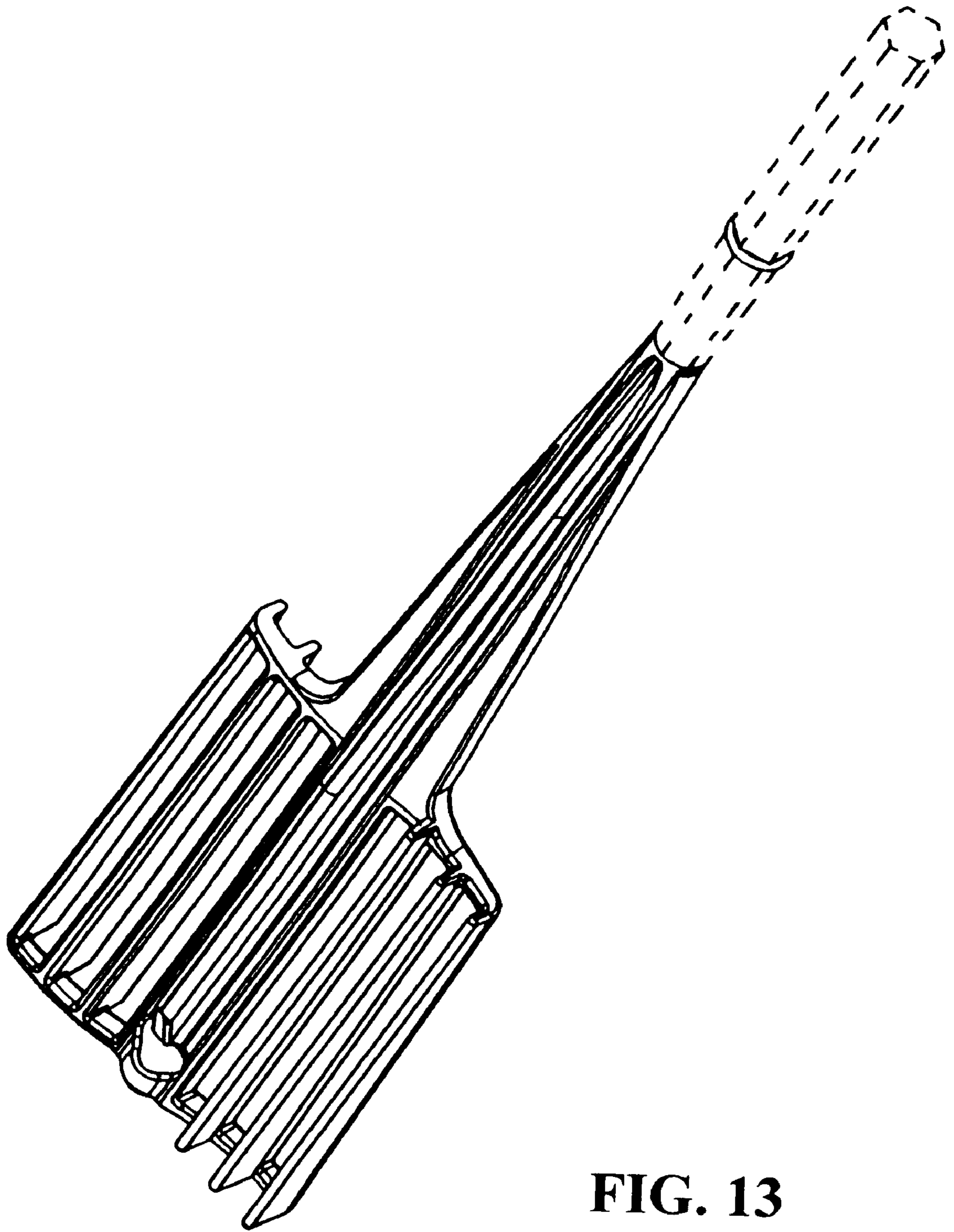


FIG. 13

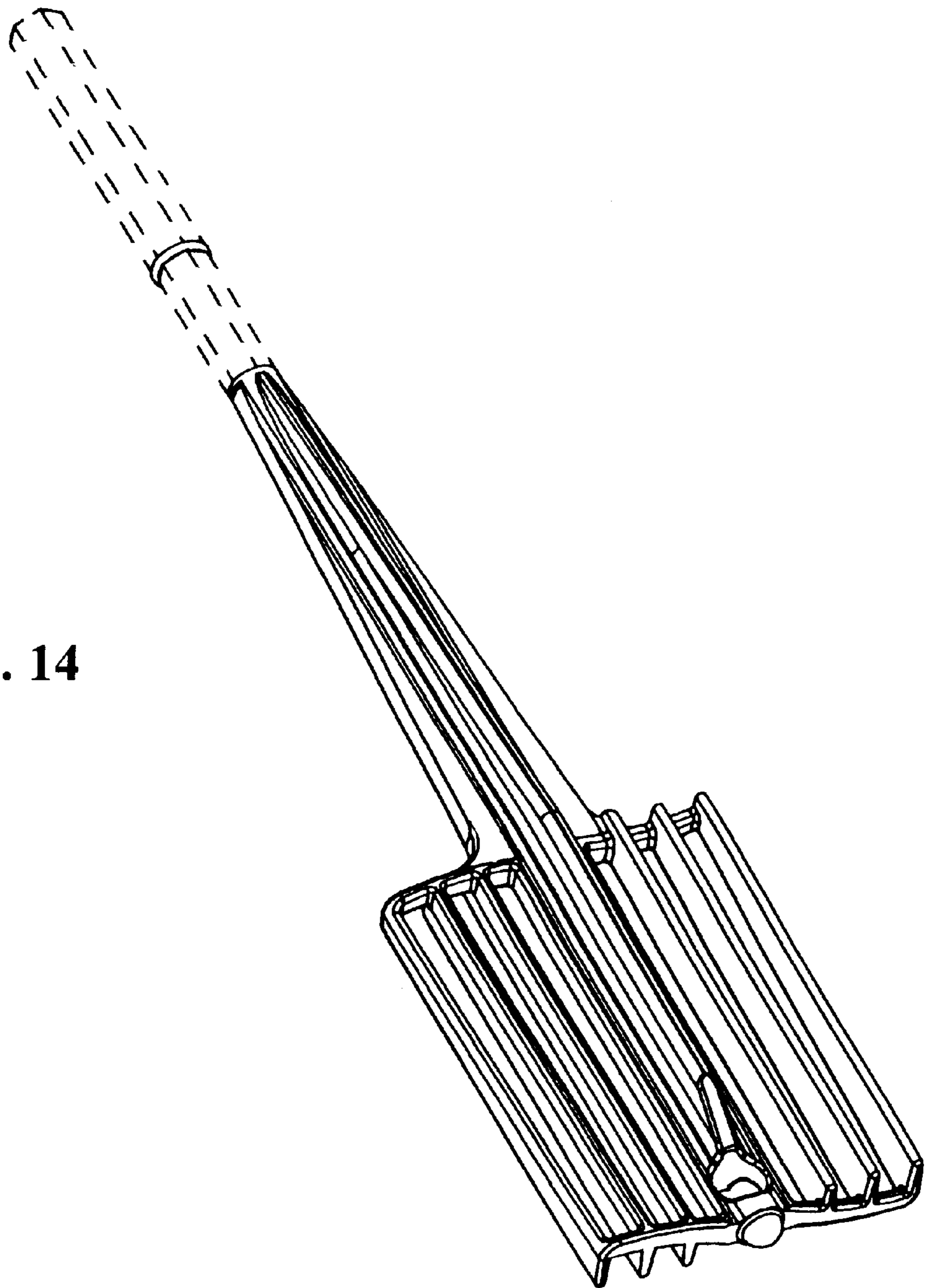


FIG. 14