



US00D421028S

United States Patent [19]

[11] Patent Number: Des. 421,028

Valboni et al.

[45] Date of Patent: ** Feb. 22, 2000

[54] REFRIGERATED DISPLAY CASE

D. 400,546	11/1998	Trulaske, Sr.	D15/472
1,121,456	12/1914	Becker .	
2,074,365	3/1937	Clifford .	
2,610,473	9/1952	Chovanec .	
3,315,491	4/1967	Zant .	

[75] Inventors: Luciano Valboni, Treviso; Antonio Bolzicco, Pordenone; Ennio Pippia, Udine, all of Italy

[73] Assignee: Electrolux Zanussi Grandi Impianto S.P.A., Pordenone, Italy

Primary Examiner—B. J. Bullock
Attorney, Agent, or Firm—Pearne, Gordon, McCoy & Granger LLP

[**] Term: 14 Years

[57] CLAIM

[21] Appl. No.: 29/099,531

The ornamental design for a refrigerated display case, as shown and described.

[22] Filed: Jan. 22, 1999

[30] Foreign Application Priority Data

DESCRIPTION

Aug. 6, 1998 [IT] Italy PN9800021

FIG. 1 is a front perspective view of a refrigerated display case, showing our new design.

[51] LOC (7) Cl. 15-07

FIG. 2 is a rear perspective view thereof.

[52] U.S. Cl. D15/81; D6/470

FIG. 3 is a front elevation view thereof.

[58] Field of Search D15/81, 85-88, D15/91, 79; D6/470-472, 450; 312/138.1, 139.2, 236; 62/246, 248, 249, 252, 449, 457.1

FIG. 4 is a right side view thereof.

FIG. 5 is a top view thereof.

FIG. 6 is a left side view thereof.

FIG. 7 is a rear view thereof.

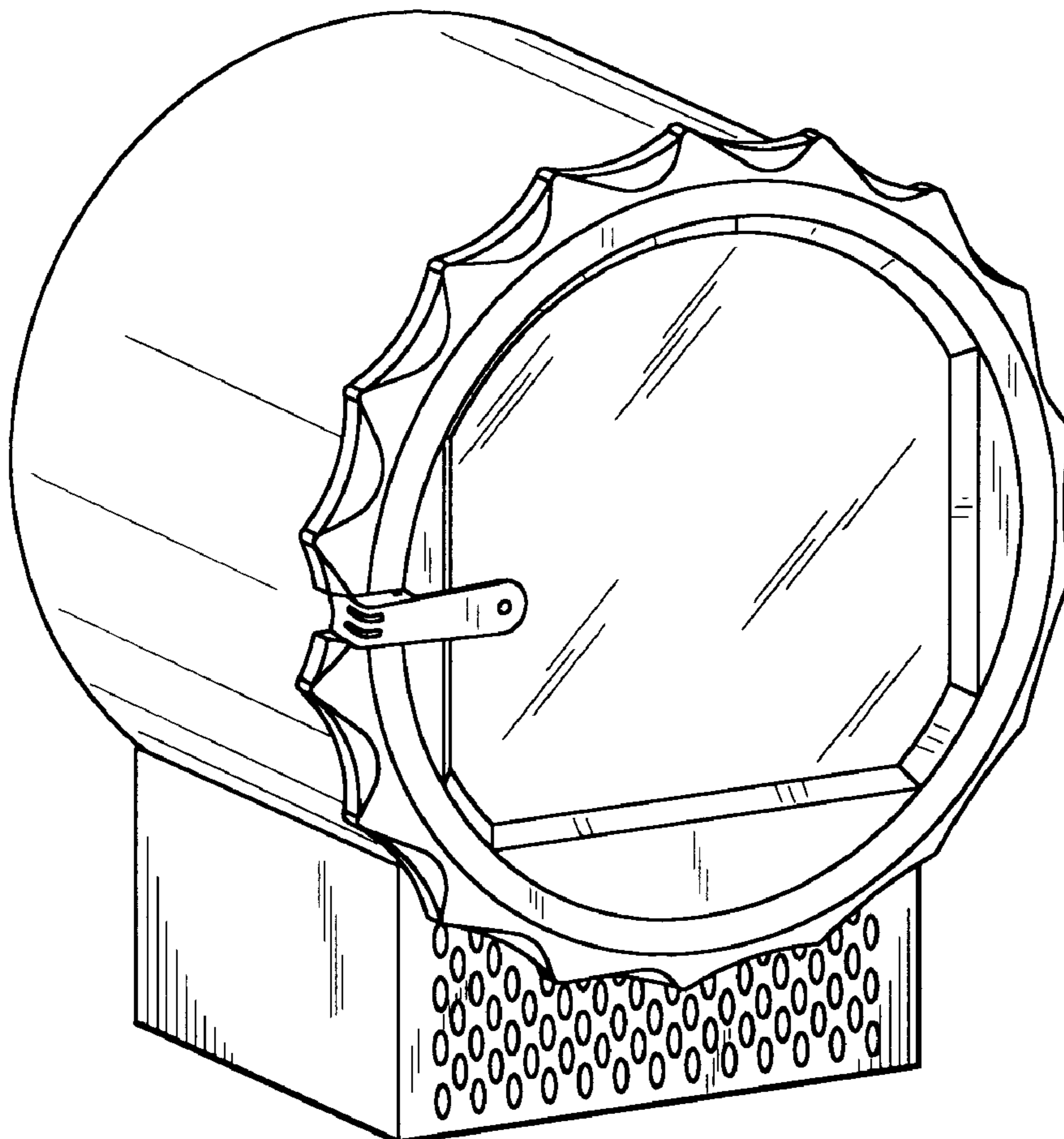
FIG. 8 is a bottom view thereof.

[56] References Cited

U.S. PATENT DOCUMENTS

D. 376,157 12/1996 Branz et al. D15/81

1 Claim, 3 Drawing Sheets



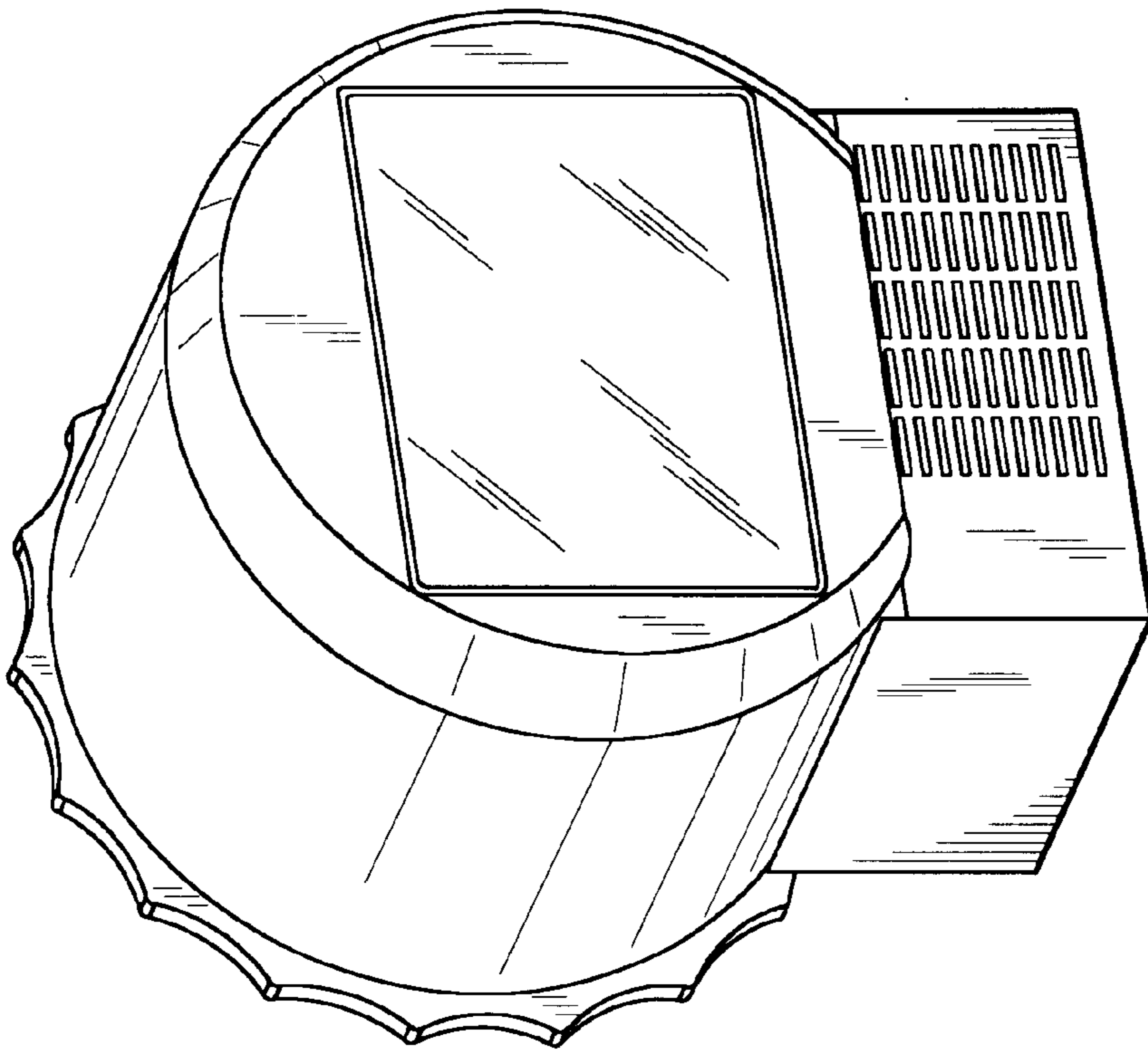


FIG. 2

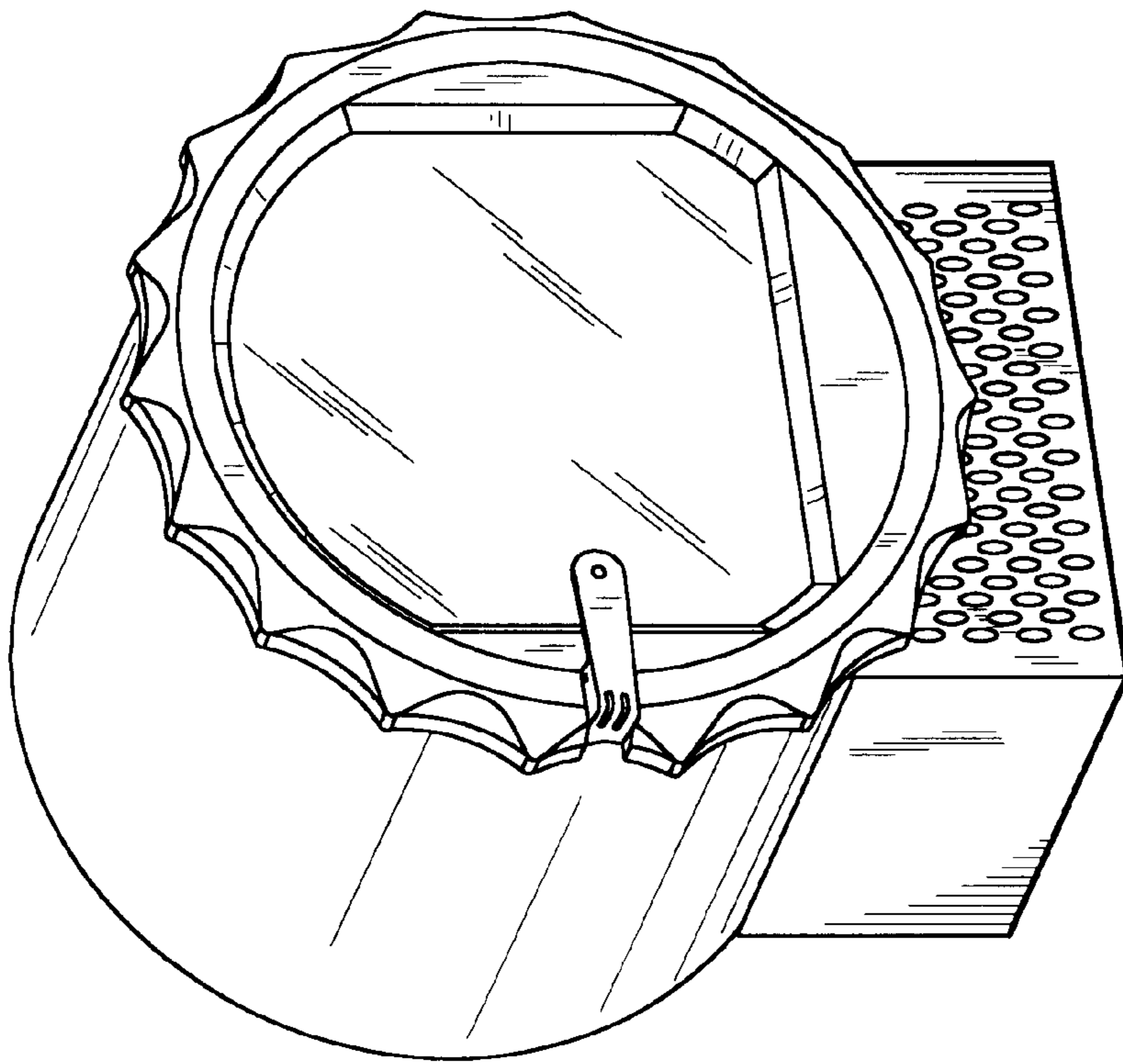


FIG. 1

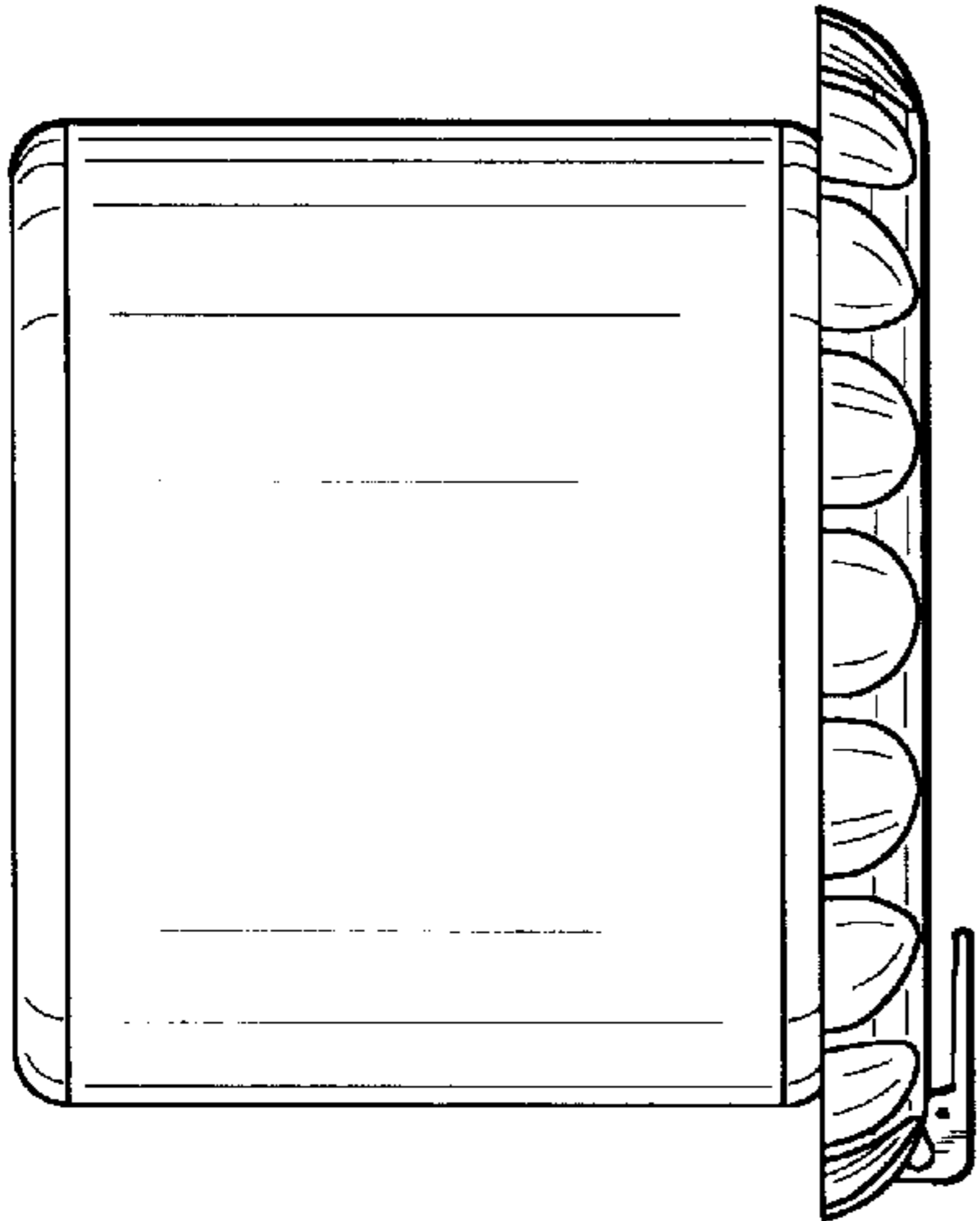


FIG. 5

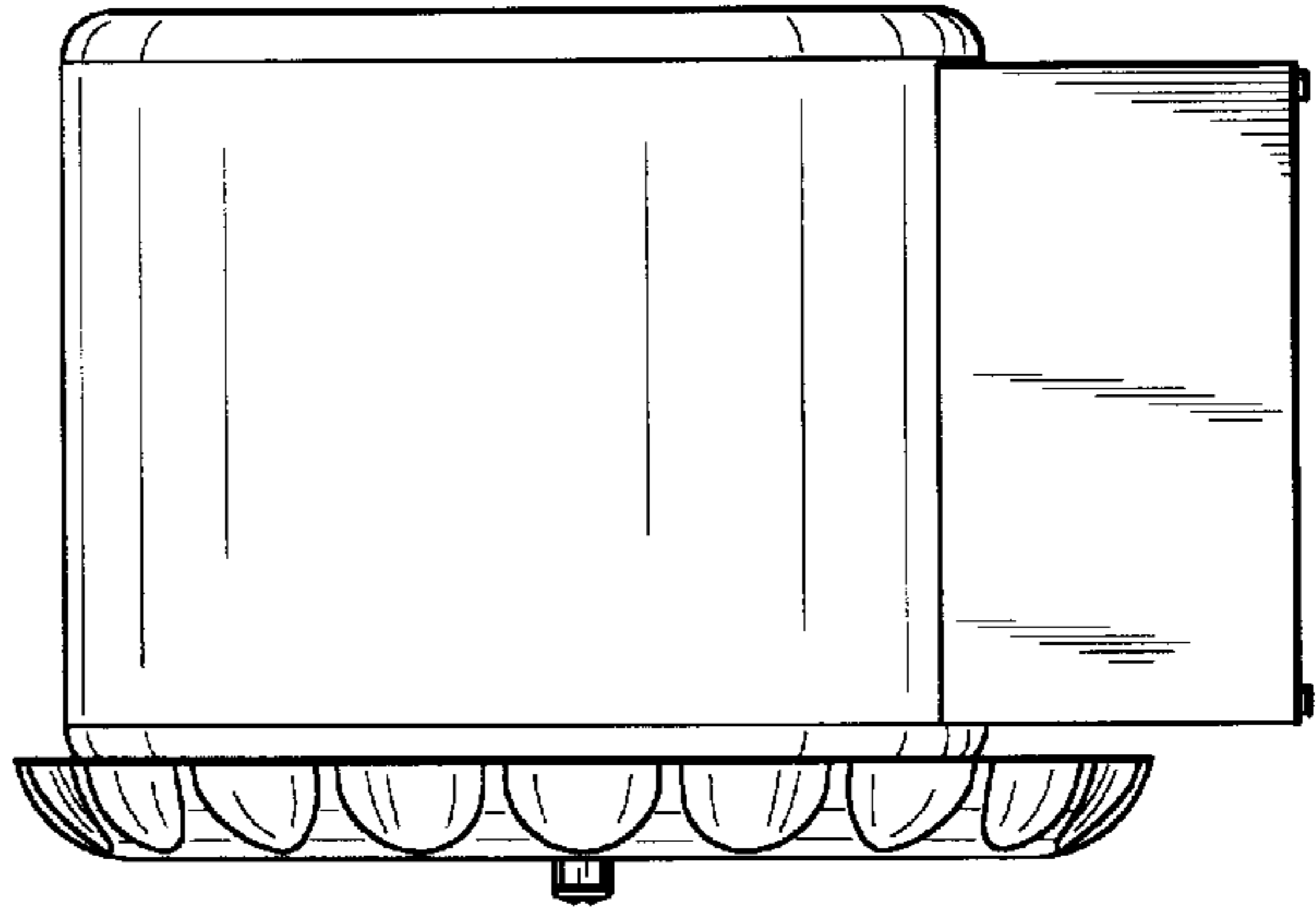


FIG. 4

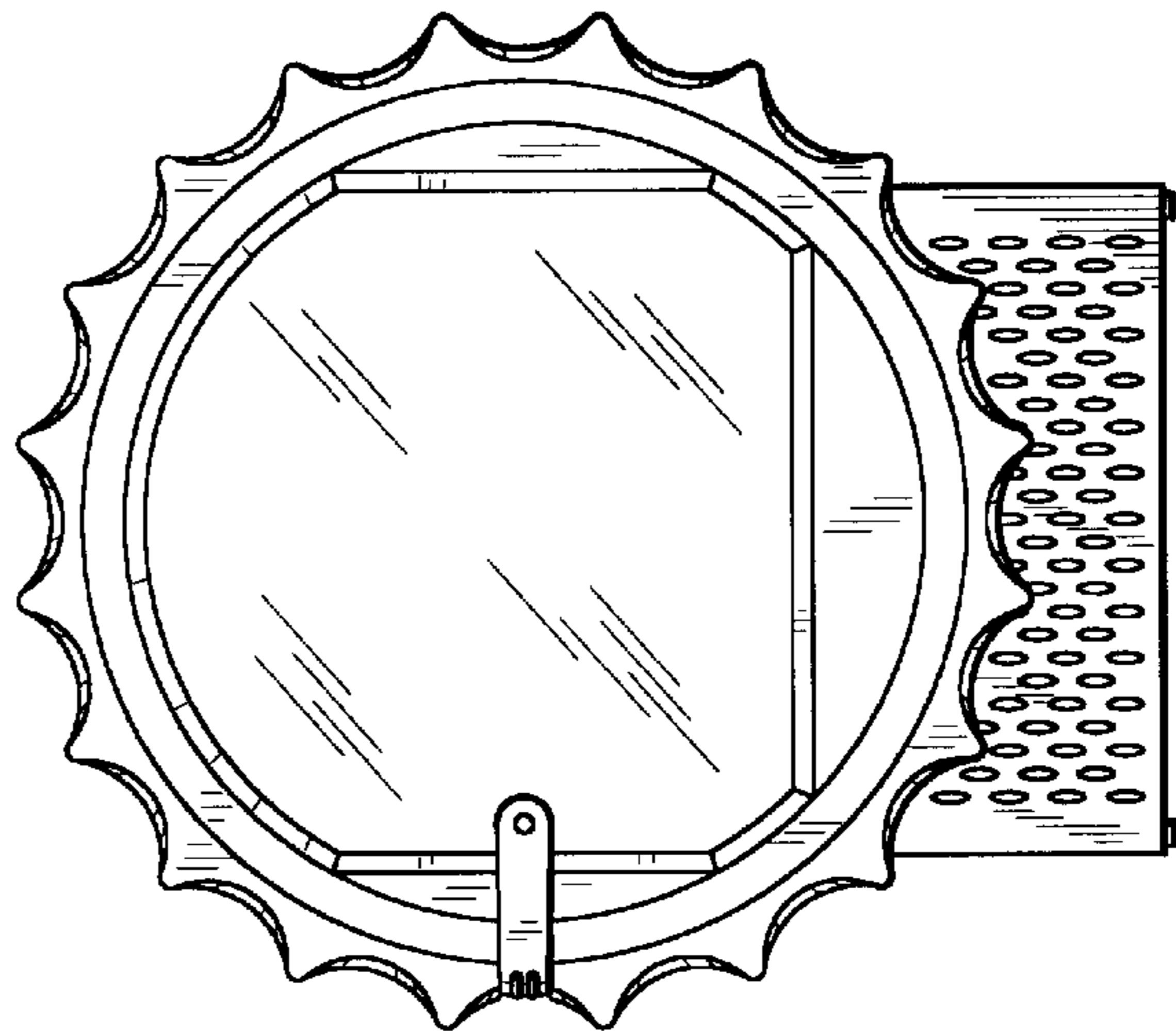


FIG. 3

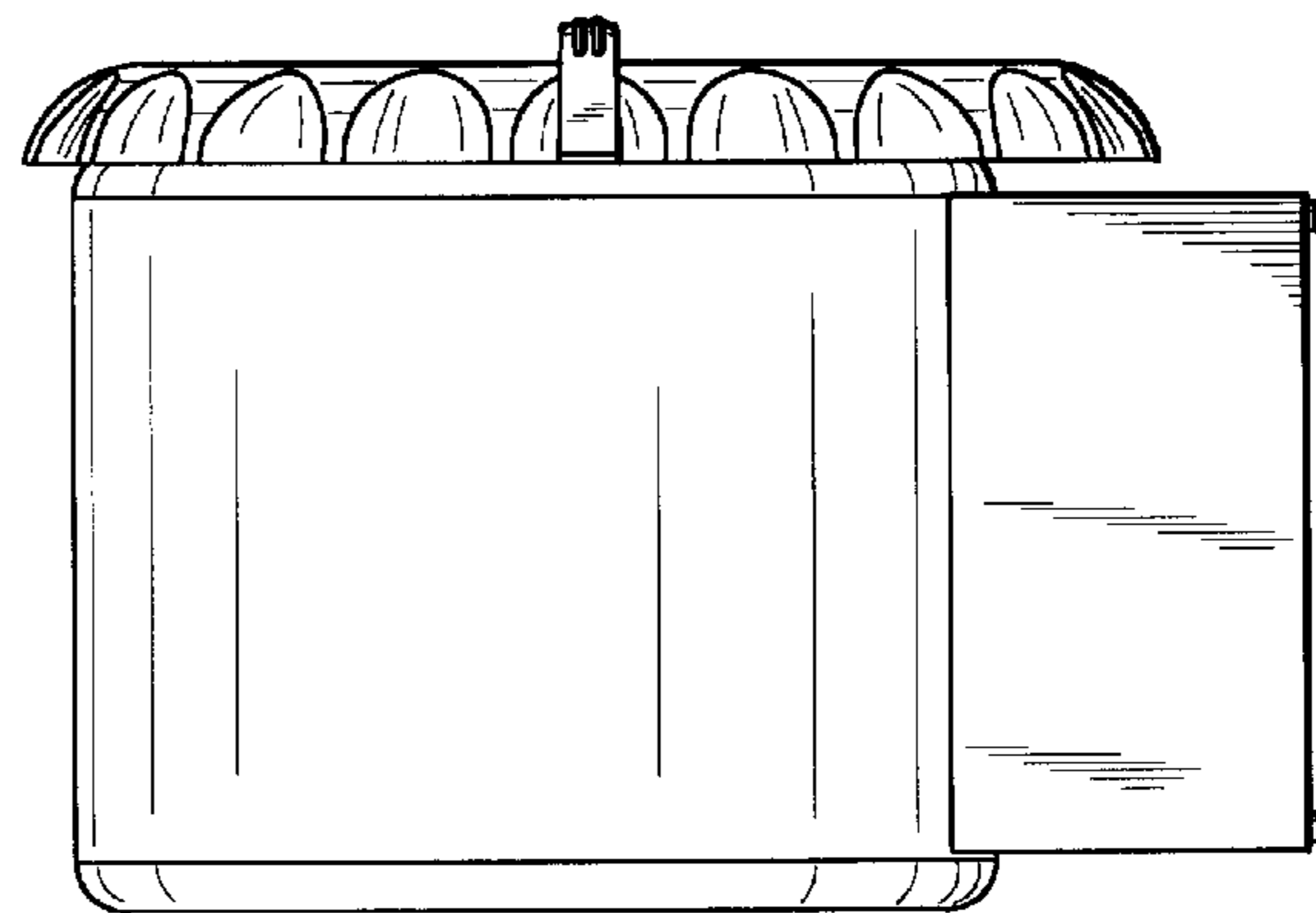


FIG. 6

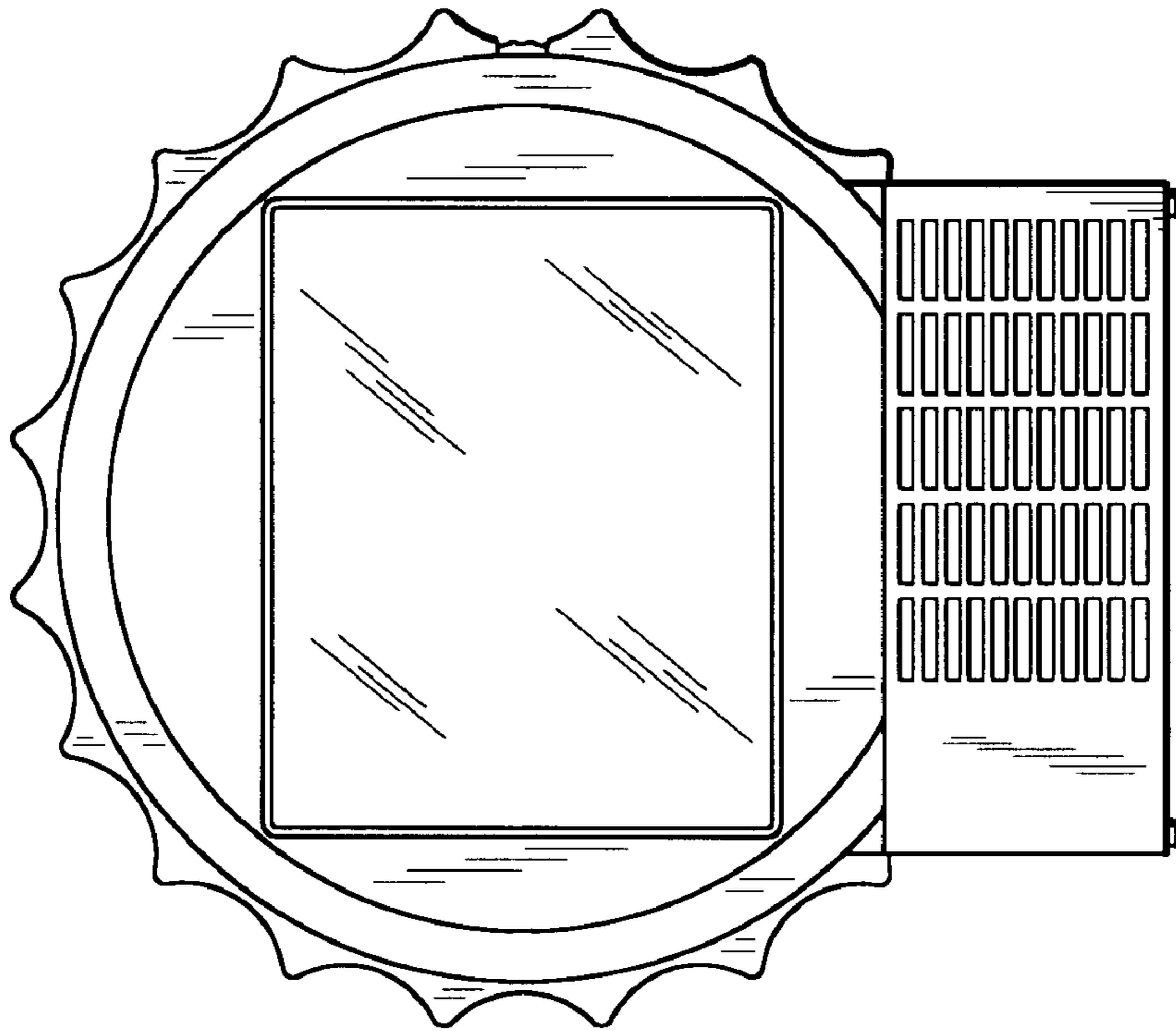


FIG. 7

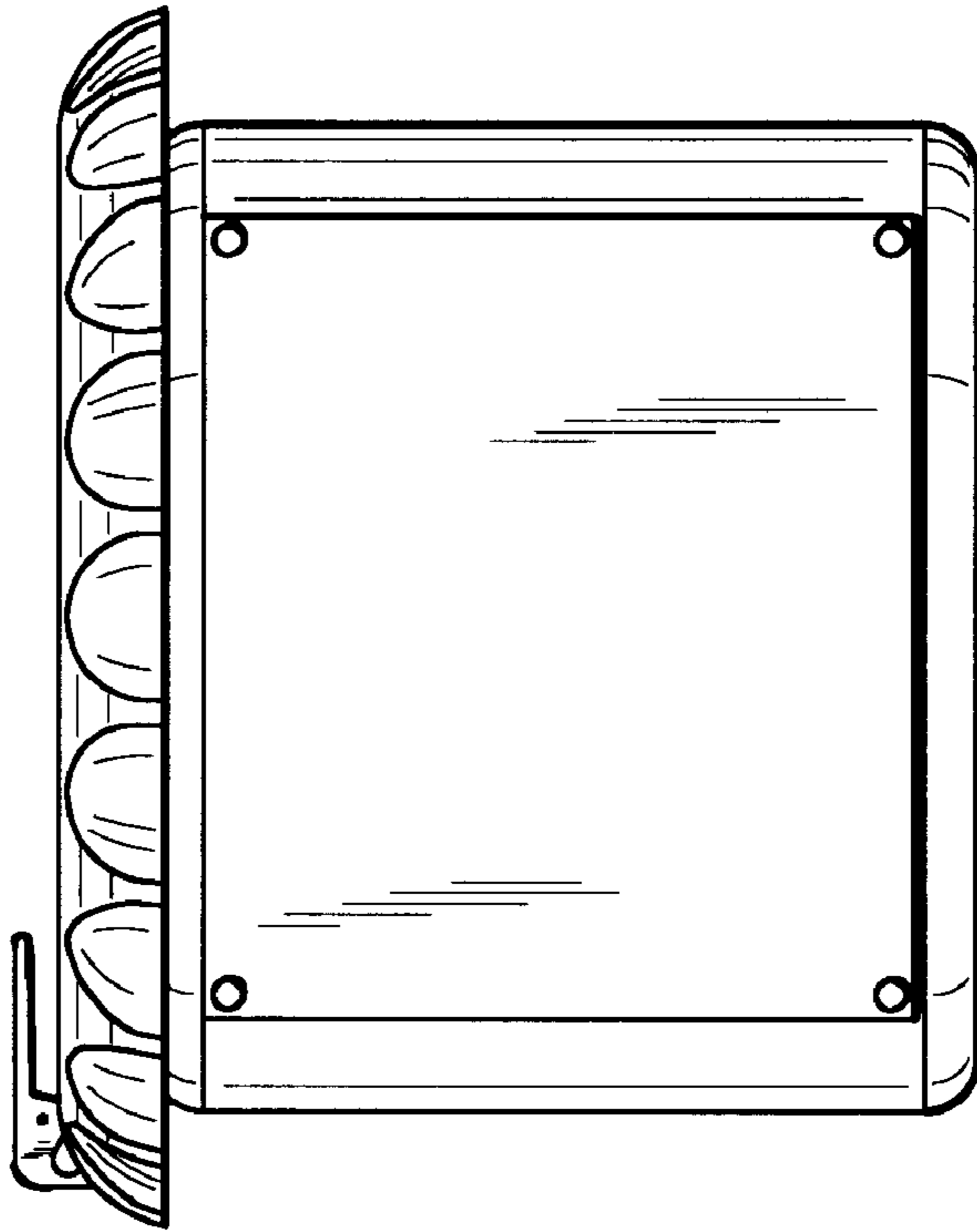


FIG. 8