



US00D421026S

United States Patent [19]

Bruns et al.

[11] Patent Number: **Des. 421,026**

[45] Date of Patent: **** Feb. 22, 2000**

[54] **EARTHWORKING WHEEL**

[76] Inventors: **Mark W. Bruns; Steven A. Bruns,**
both of P.O. Box 519, Hutchinson,
Minn. 55350

[**] Term: **14 Years**

[21] Appl. No.: **29/086,819**

[22] Filed: **Apr. 20, 1998**

[51] **LOC (7) Cl.** **15-03**

[52] **U.S. Cl.** **D15/29**

[58] **Field of Search** D15/10, 11, 27,
D15/28, 29; 111/191-193, 163; 172/540,
542, 557

3,605,907 9/1971 Schuring et al. 172/520

4,216,832 8/1980 Stephenson et al. 172/540

4,391,335 7/1983 Birkenbach 172/540

4,591,002 5/1986 Meinert 172/510

5,190,112 3/1993 Johnston et al. 172/540

5,222,562 6/1993 Roiger 172/73

5,419,402 5/1995 Heintzman 172/540

5,497,717 3/1996 Martin 111/191

5,540,004 7/1996 Patterson et al. D15/28

Primary Examiner—Sandra L. Morris
Attorney, Agent, or Firm—Burd, Bartz & Gutenkauf

[57] CLAIM

The ornamental design for an earthworking wheel, as shown and described.

DESCRIPTION

FIG. 1 is a front elevational view of the earthworking wheel of our new design;

FIG. 2 is a side elevational view of the right side of FIG. 1;

FIG. 3 is a back elevational view thereof;

FIG. 4 is a side elevational view of the left side of FIG. 1;

FIG. 5 is a top plan view of FIG. 1; and,

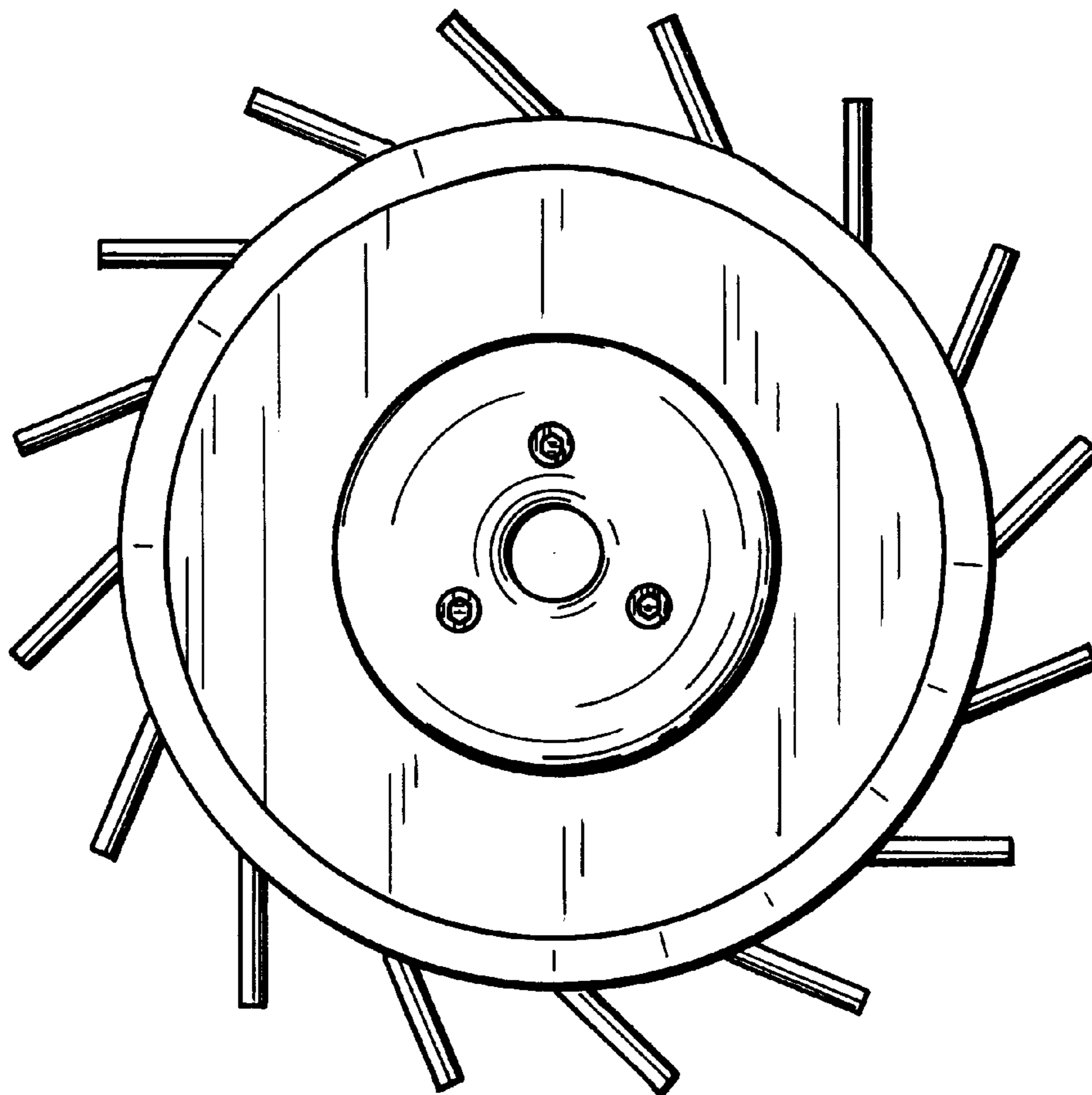
FIG. 6 is a bottom plan view of FIG. 1.

1 Claim, 2 Drawing Sheets

[56] **References Cited**

U.S. PATENT DOCUMENTS

D. 221,461	8/1971	Hagenstad	D15/29
D. 305,337	1/1990	Plummer	D15/28
D. 399,215	10/1998	Bruns	D15/29
488,775	12/1892	Scandracoef et al.	.	
1,688,914	10/1928	Ariens	.	
1,790,093	1/1931	Ferguson	172/574



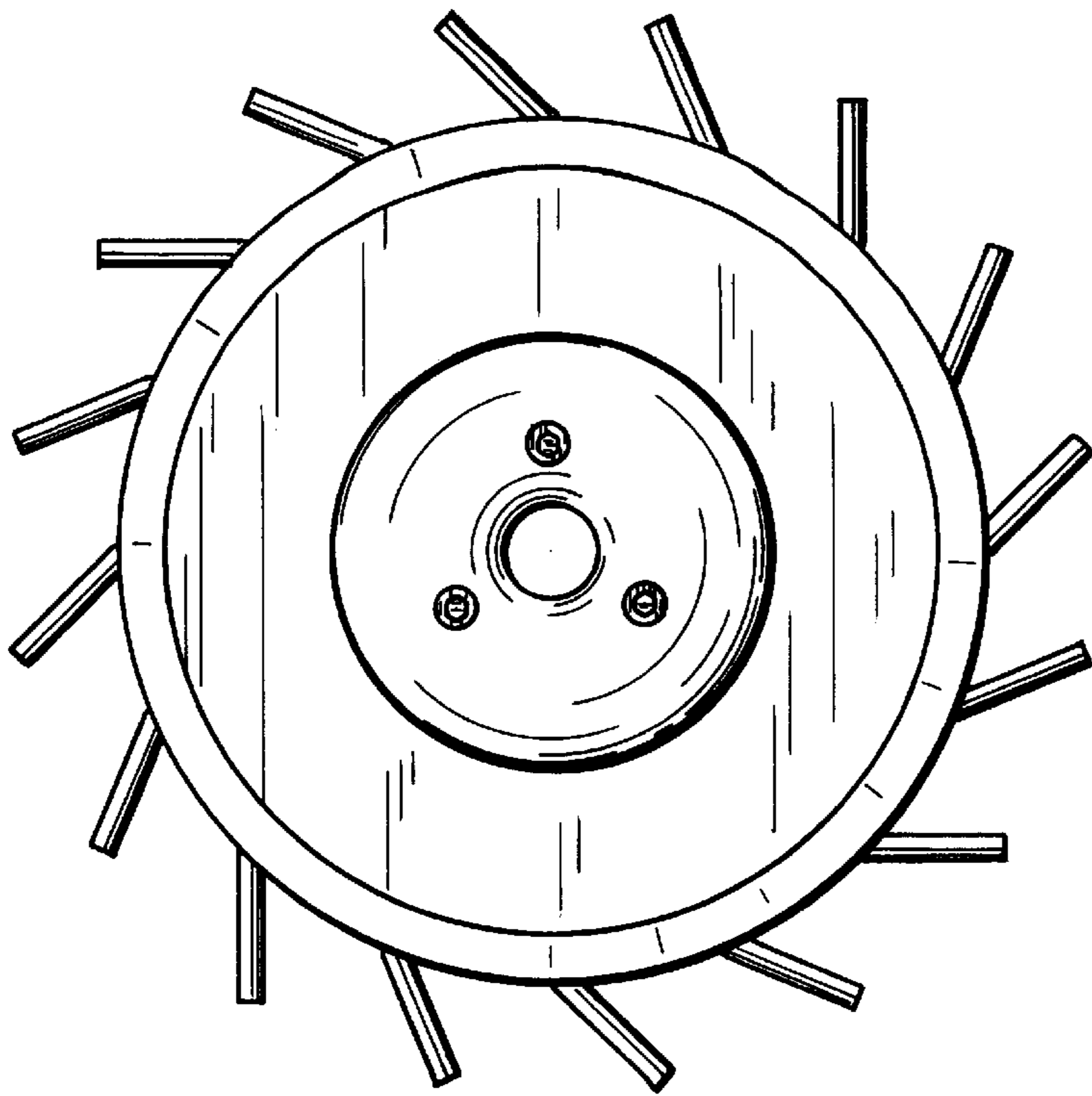


FIG. 1

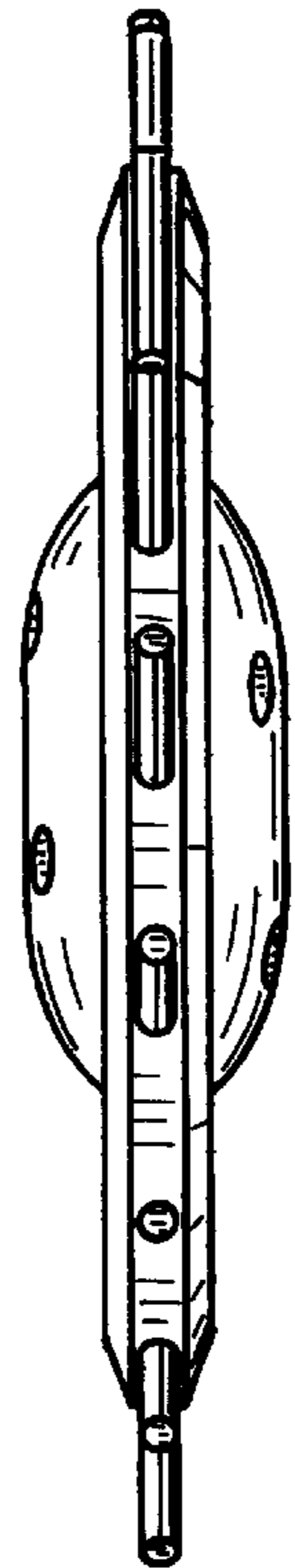


FIG. 2

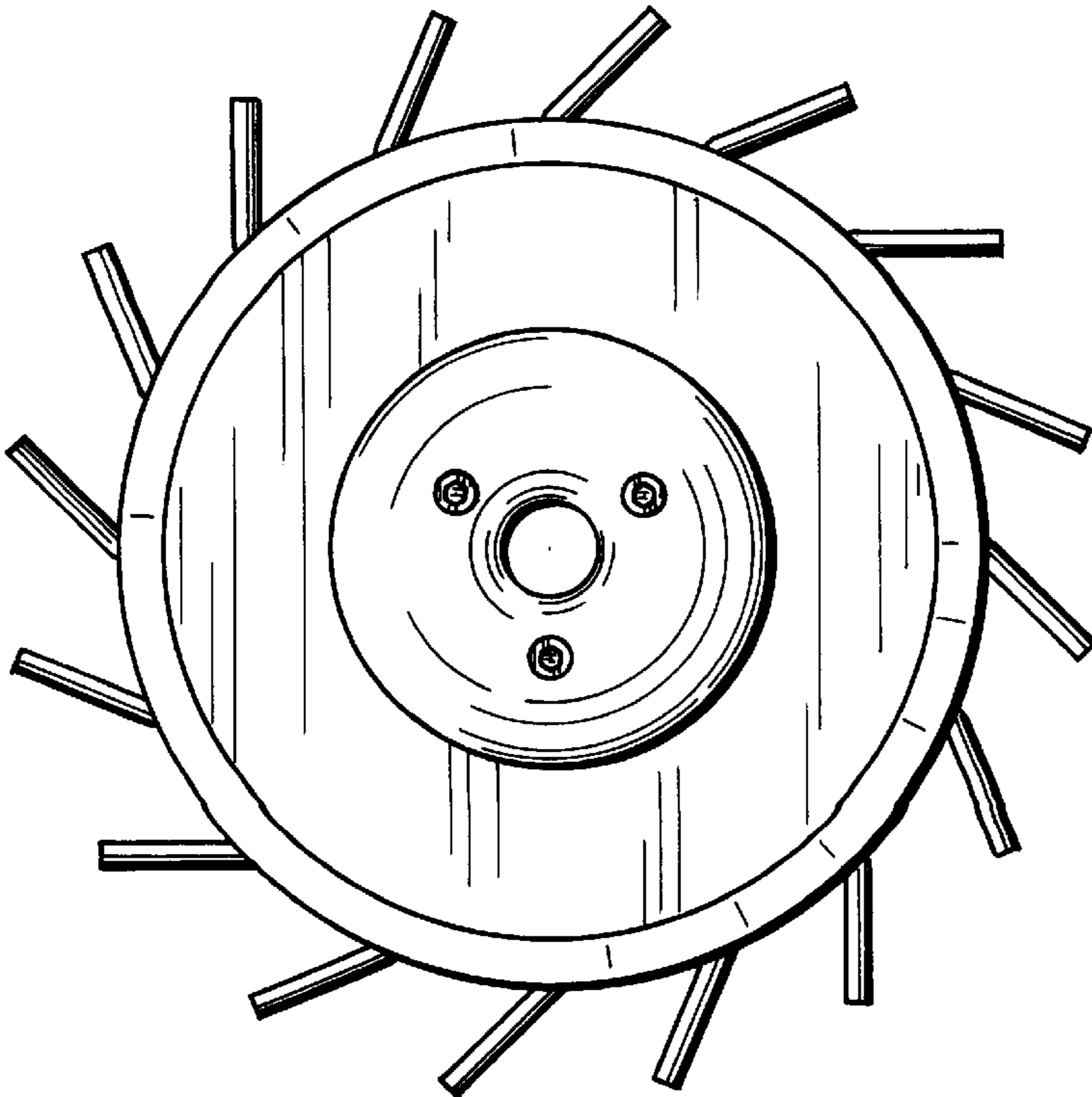


FIG. 3

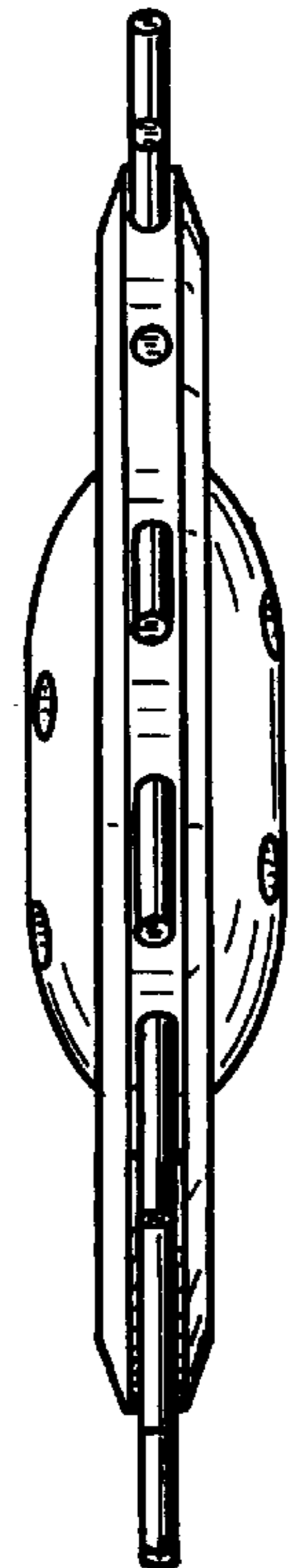


FIG. 4

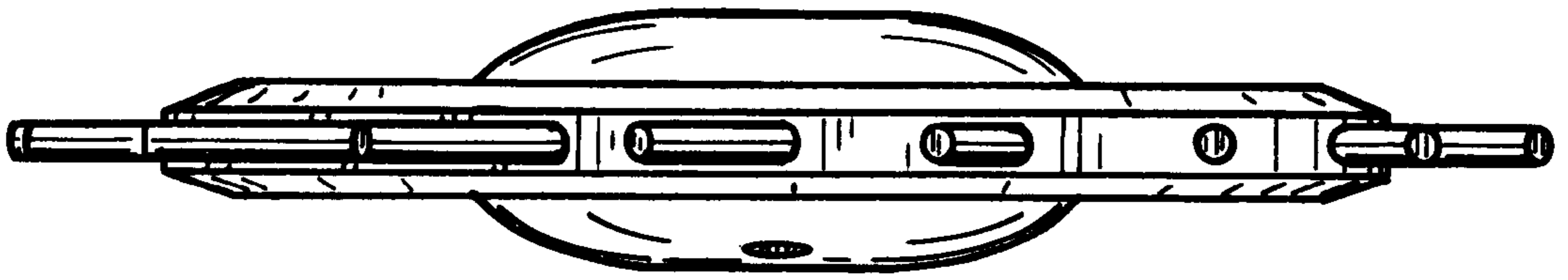


FIG. 5

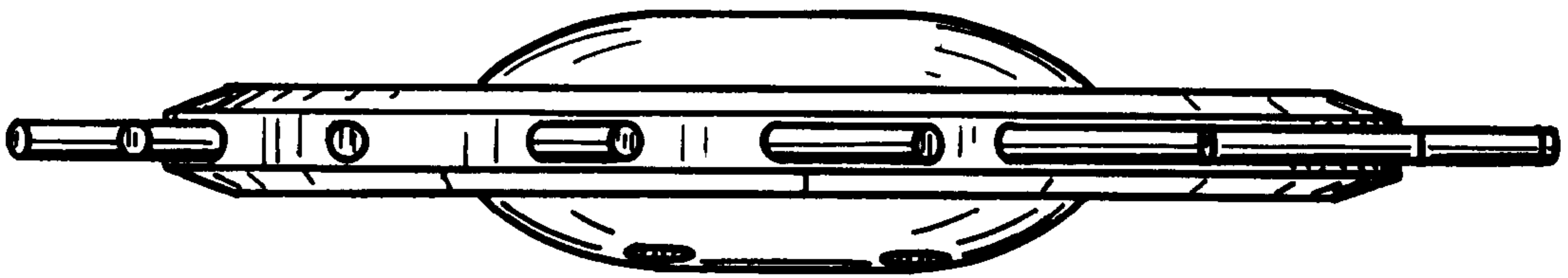


FIG. 6