



US00D421024S

United States Patent [19] Katoh

[11] Patent Number: **Des. 421,024**

[45] Date of Patent: **** Feb. 22, 2000**

[54] **INTERNAL-COMBUSTION ENGINE**

[75] Inventor: **Yuya Katoh**, Wako, Japan

[73] Assignee: **Honda Giken Kogyo Kabushiki Kaisha**, Tokyo, Japan

[**] Term: **14 Years**

[21] Appl. No.: **29/099,470**

[22] Filed: **Jan. 21, 1999**

[30] **Foreign Application Priority Data**

Jul. 23, 1998 [JP] Japan 10-21177

[51] **LOC (7) Cl.** **15-01**

[52] **U.S. Cl.** **D15/1**

[58] **Field of Search** D15/1-5, 14, 16,
D15/17; 123/195.3, 198 E, 306, 308, 657,
661, 667

[56] **References Cited**

U.S. PATENT DOCUMENTS

D. 308,871	6/1990	Harkness et al.	D15/1
D. 324,211	2/1992	Kiyooka et al.	D15/1
D. 343,843	2/1994	Mikado	D15/1
D. 396,476	7/1998	Shimizu	D15/1
D. 398,010	9/1998	Yoshida et al.	D15/1

FOREIGN PATENT DOCUMENTS

518297	8/1954	Japan .
518297	1/1955	Japan .
833317	7/1994	Japan .

Primary Examiner—Ralf Seifert
Attorney, Agent, or Firm—Nikaido, Marmelstein, Murray & Oram LLP

[57] **CLAIM**

The ornamental design for an internal-combustion engine, as shown and described.

DESCRIPTION

FIG. 1 is a left-front perspective view of an internal-combustion engine according to my new design; FIG. 2 is a front view of an internal-combustion engine according to my new design; FIG. 3 is a rear view of an internal-combustion engine according to my new design; FIG. 4 is a left side view of an internal-combustion engine according to my new design; FIG. 5 is a right side view of an internal-combustion engine according to my new design; FIG. 6 is a top plan view of an internal-combustion engine according to my new design; and, FIG. 7 is a bottom view of an internal-combustion engine according to my new design.

1 Claim, 7 Drawing Sheets

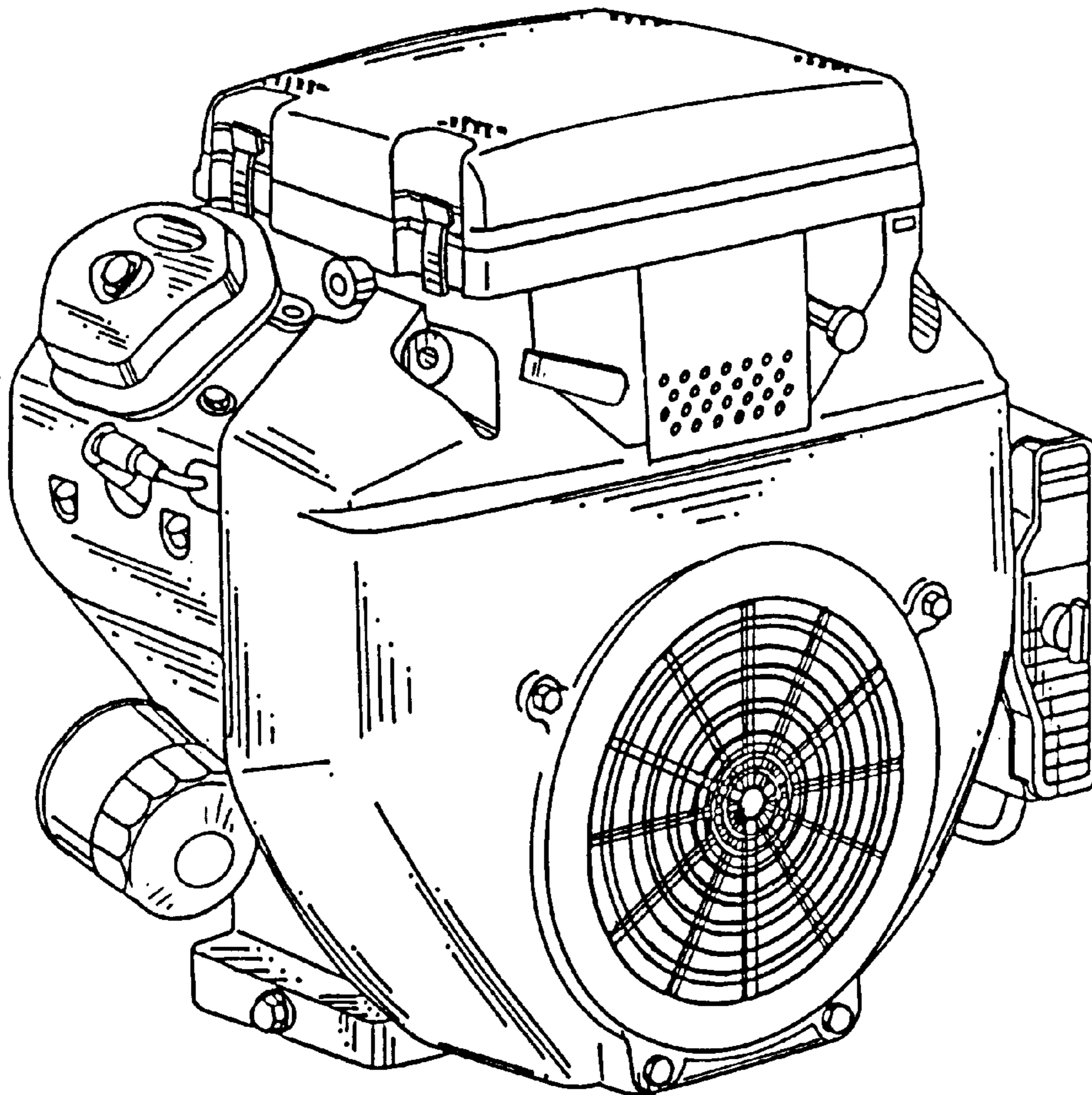


FIG. 1

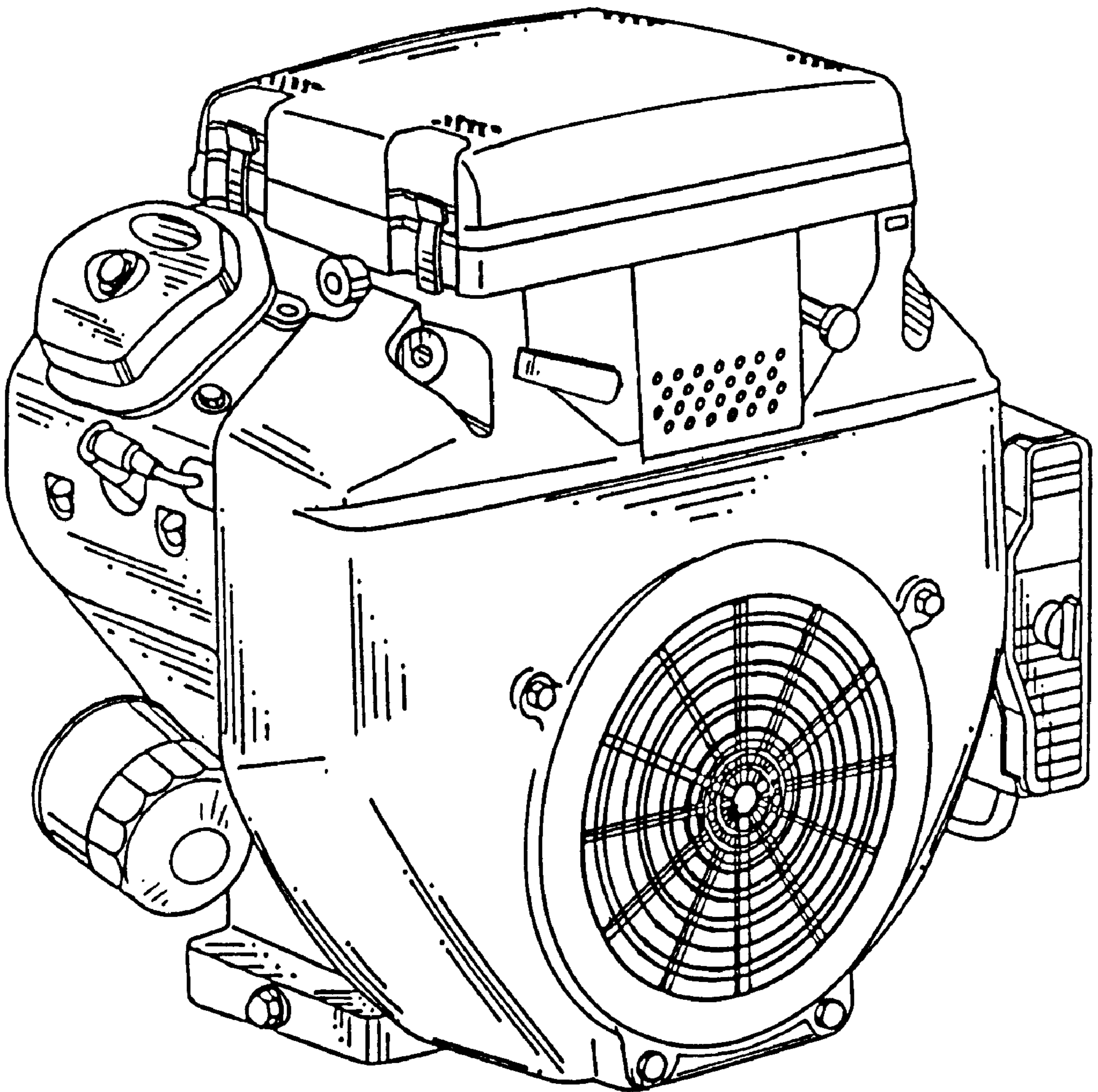


FIG. 2

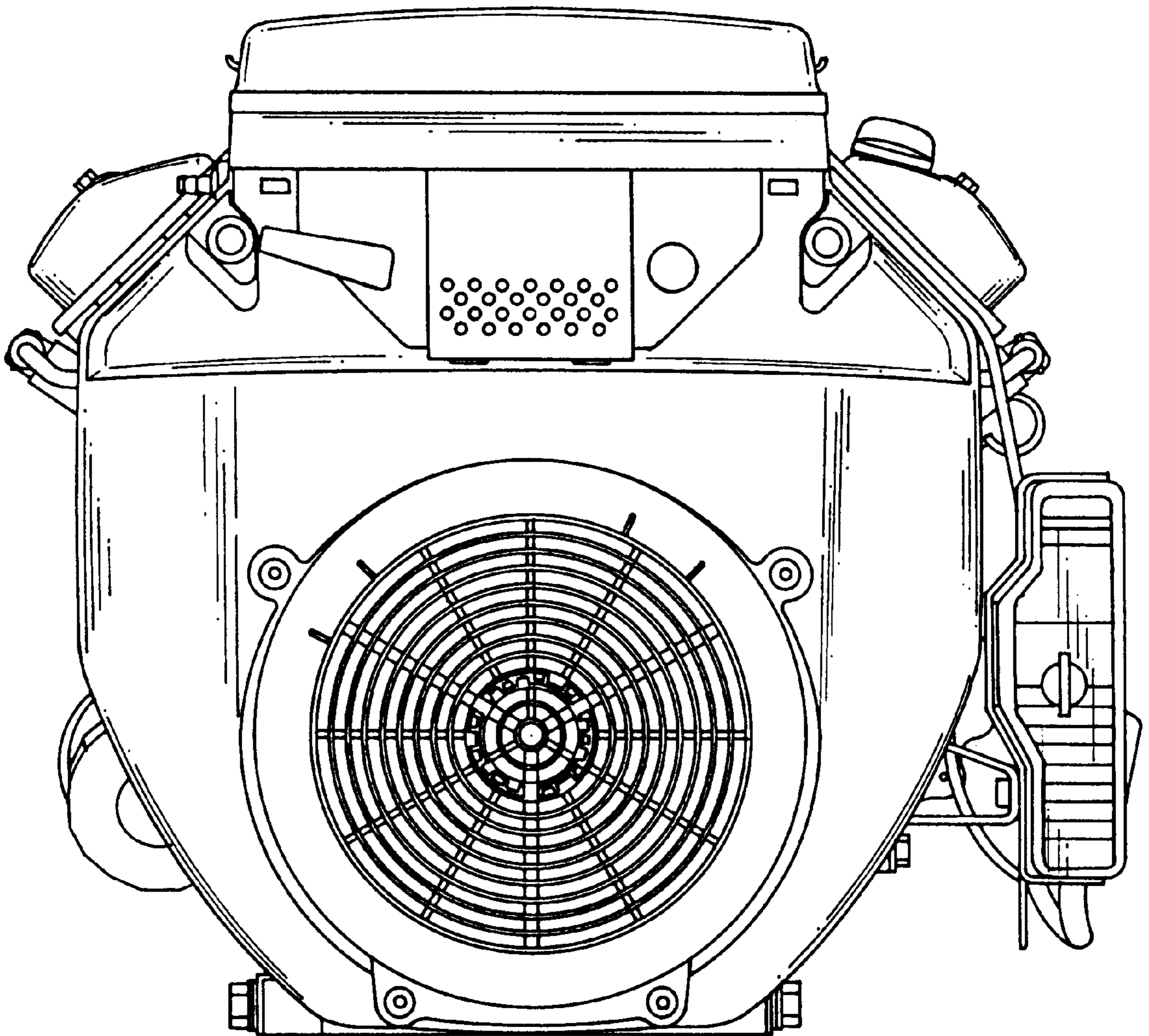


FIG. 3

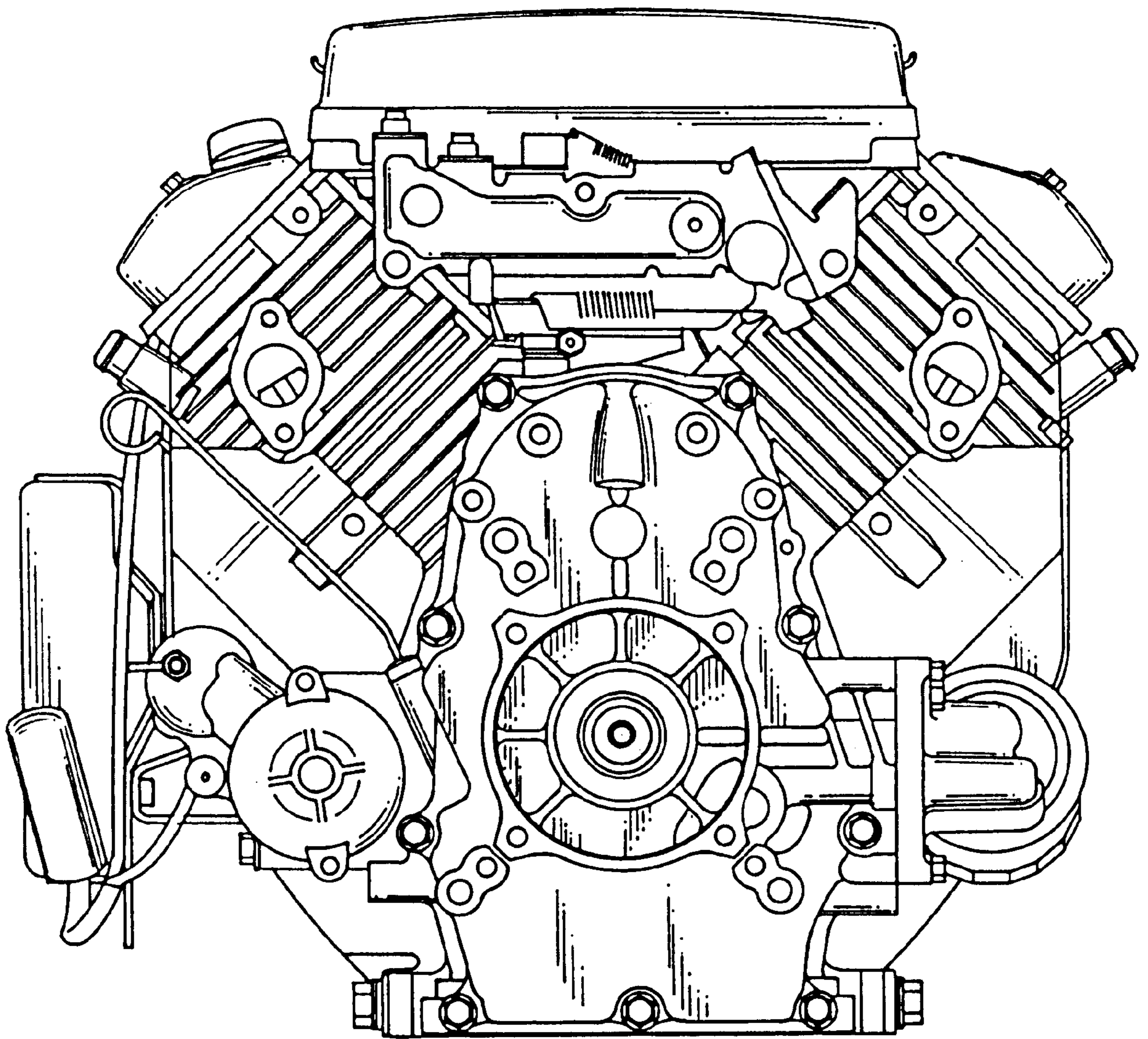


FIG. 4

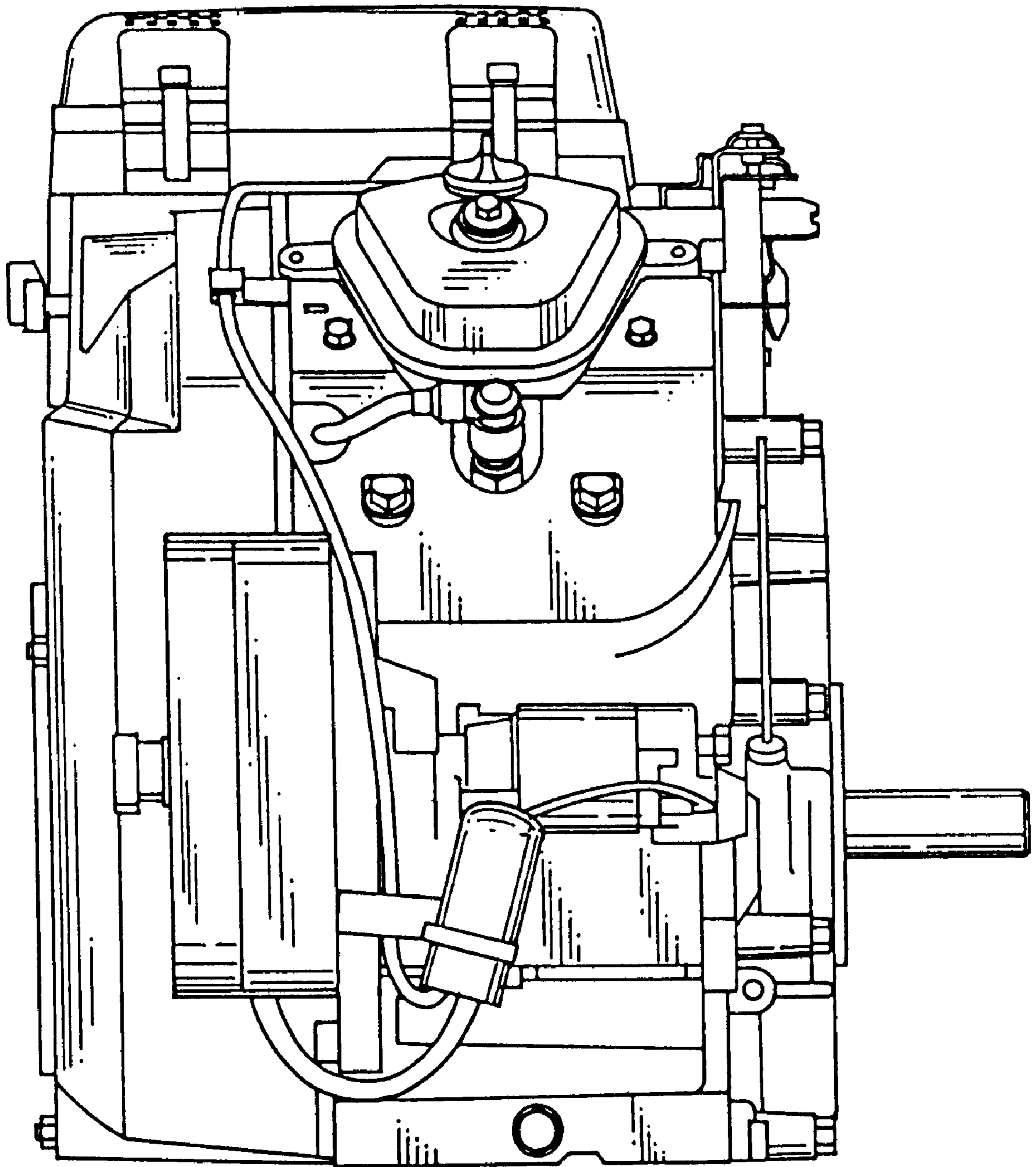


FIG. 5

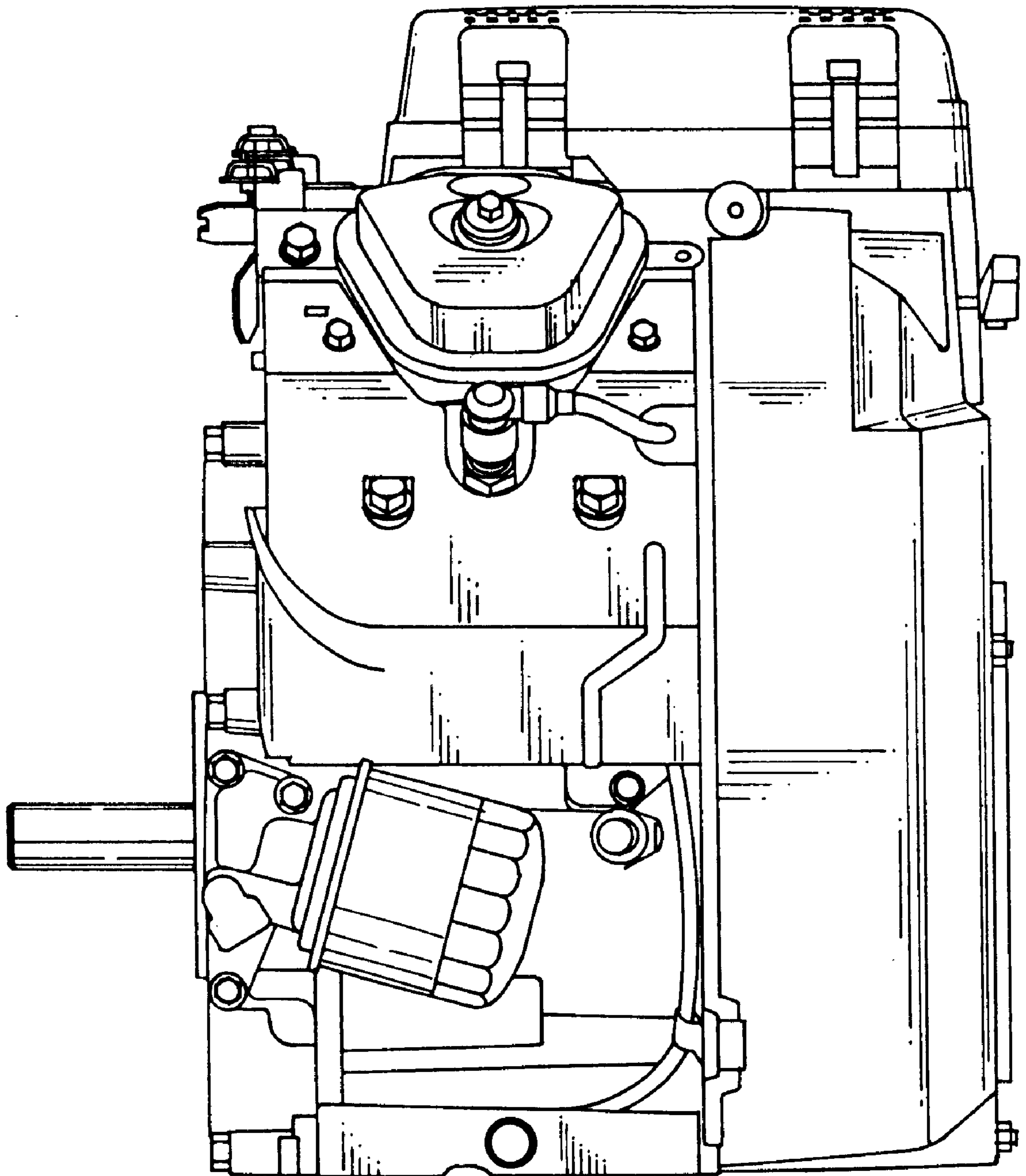


FIG. 6

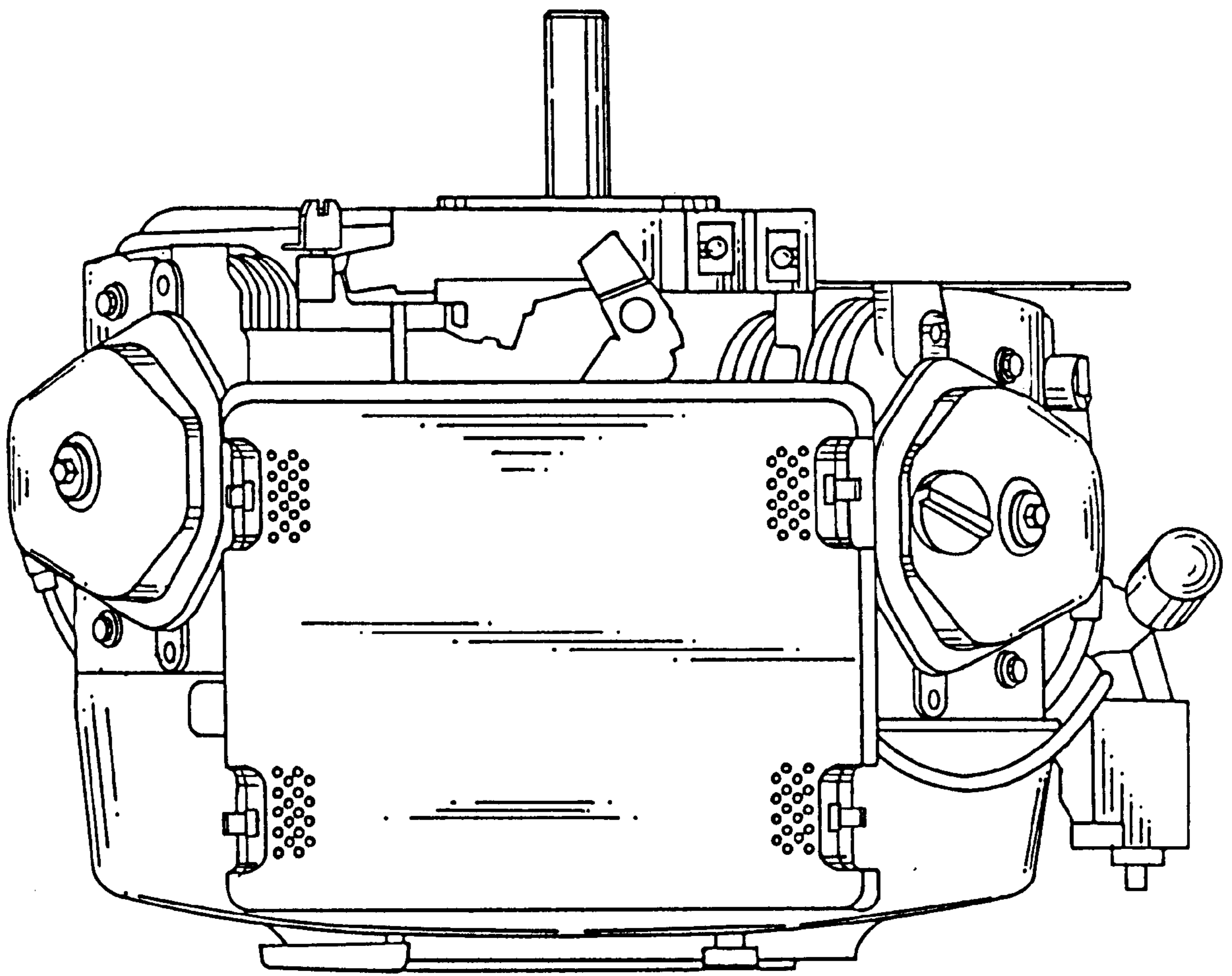


FIG. 7

