



US00D421023S

United States Patent [19] Curtis

[11] Patent Number: Des. 421,023

[45] Date of Patent: ** Feb. 22, 2000

[54] COVER FOR A TELEPHONE HANDSET

[75] Inventor: Alastair S Curtis, Woodland Hills, Calif.

[73] Assignee: Nokia Mobile Phones Limited, Espoo, Finland

[**] Term: 14 Years

[21] Appl. No.: 29/100,650

[22] Filed: Feb. 12, 1999

[51] LOC (7) Cl. 14-03

[52] U.S. Cl. D14/248

[58] Field of Search D14/137, 218, D14/138, 144, 147-148, 247-249, 140-142, 250, 240, 100, 115; 379/433, 434, 419, 420, 428, 440, 368; 455/550-575, 90; D13/168; D18/2, 7

[56] References Cited

U.S. PATENT DOCUMENTS

D. 389,142	1/1998	Adams et al.	D14/138
D. 390,848	2/1998	Santee et al.	D14/240
D. 396,713	8/1998	Nuovo et al.	D14/138
D. 398,930	9/1998	Nuovo et al.	D14/250
D. 398,931	9/1998	Nuovo et al.	D14/250

D. 405,784	2/1999	Phillips et al.	D14/138
D. 405,785	2/1999	Vuolteenaho	D14/138
D. 406,583	3/1999	Phillips et al.	D14/138
D. 406,585	3/1999	Vuolteenaho et al.	D14/138
D. 406,848	3/1999	Salmi	D14/240
D. 408,813	4/1999	Prior	D14/138
5,745,566	4/1998	Petrella et al.	379/433
5,848,152	12/1998	Slipy et al.	379/433
5,900,829	5/1999	Gardner et al.	379/368 X

Primary Examiner—Jeffrey Asch
Attorney, Agent, or Firm—Perman & Green, LLP

[57] CLAIM

The ornamental design for a cover for a telephone handset, as shown and described.

DESCRIPTION

FIG. 1 is a front, top and right side perspective view of a cover for a telephone handset showing my new design; FIG. 2 is a rear, bottom, and right side perspective view thereof; FIG. 3 is a left side elevational view thereof; FIG. 4 is a rear plan view thereof; FIG. 5 is a bottom elevational view thereof; FIG. 6 is a front plan view thereof; FIG. 7 is a right side elevational view thereof; and, FIG. 8 is a top elevational view thereof.

1 Claim, 3 Drawing Sheets

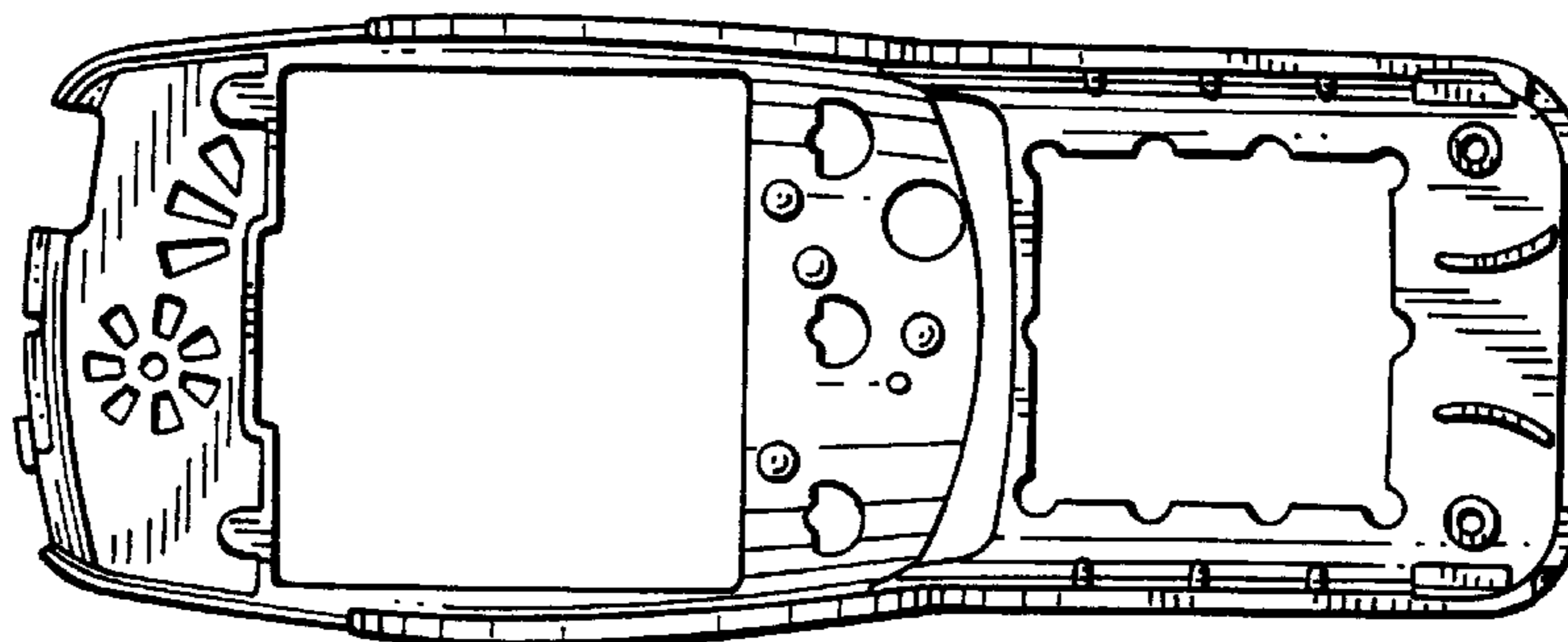
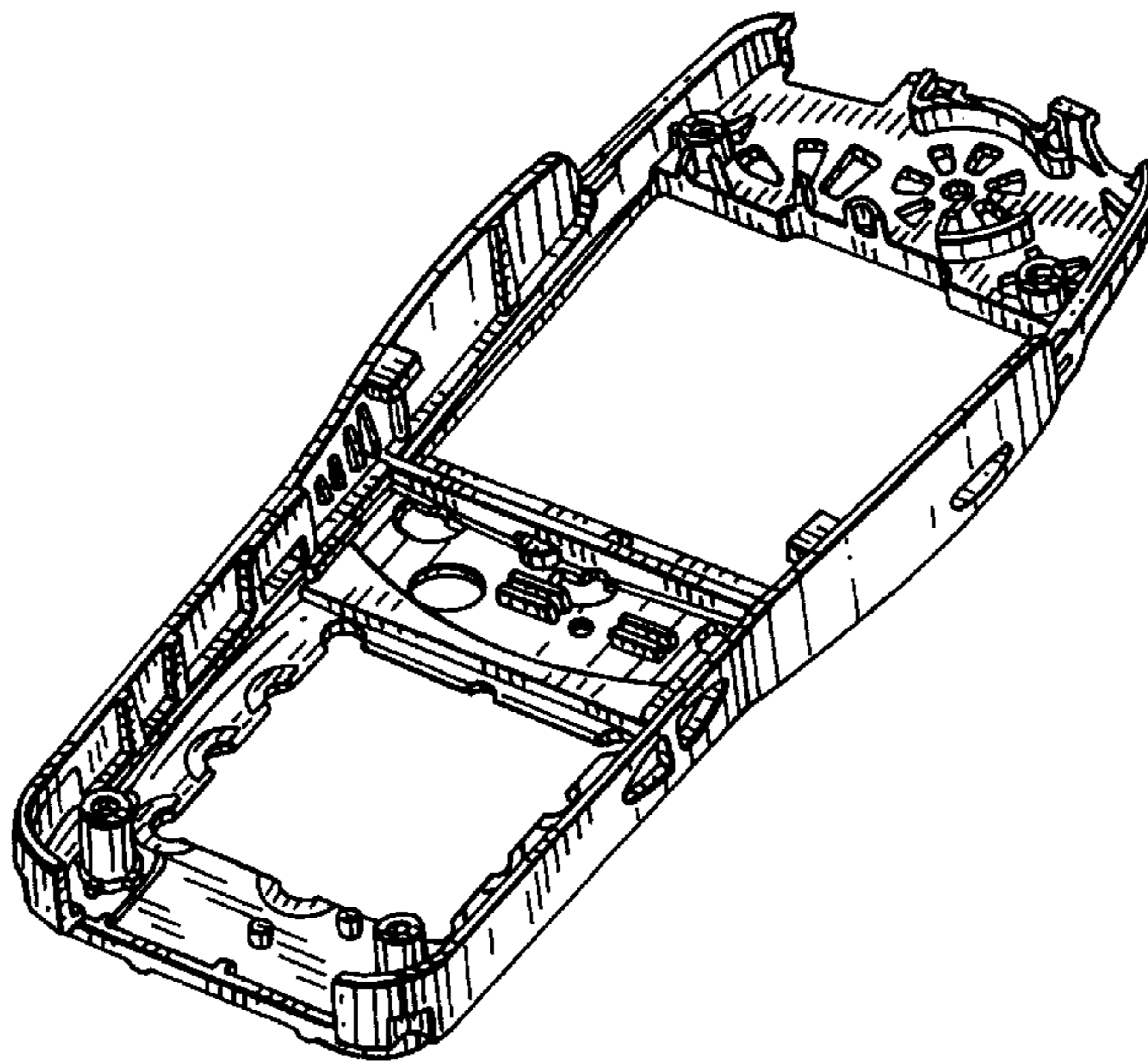


FIG. 1

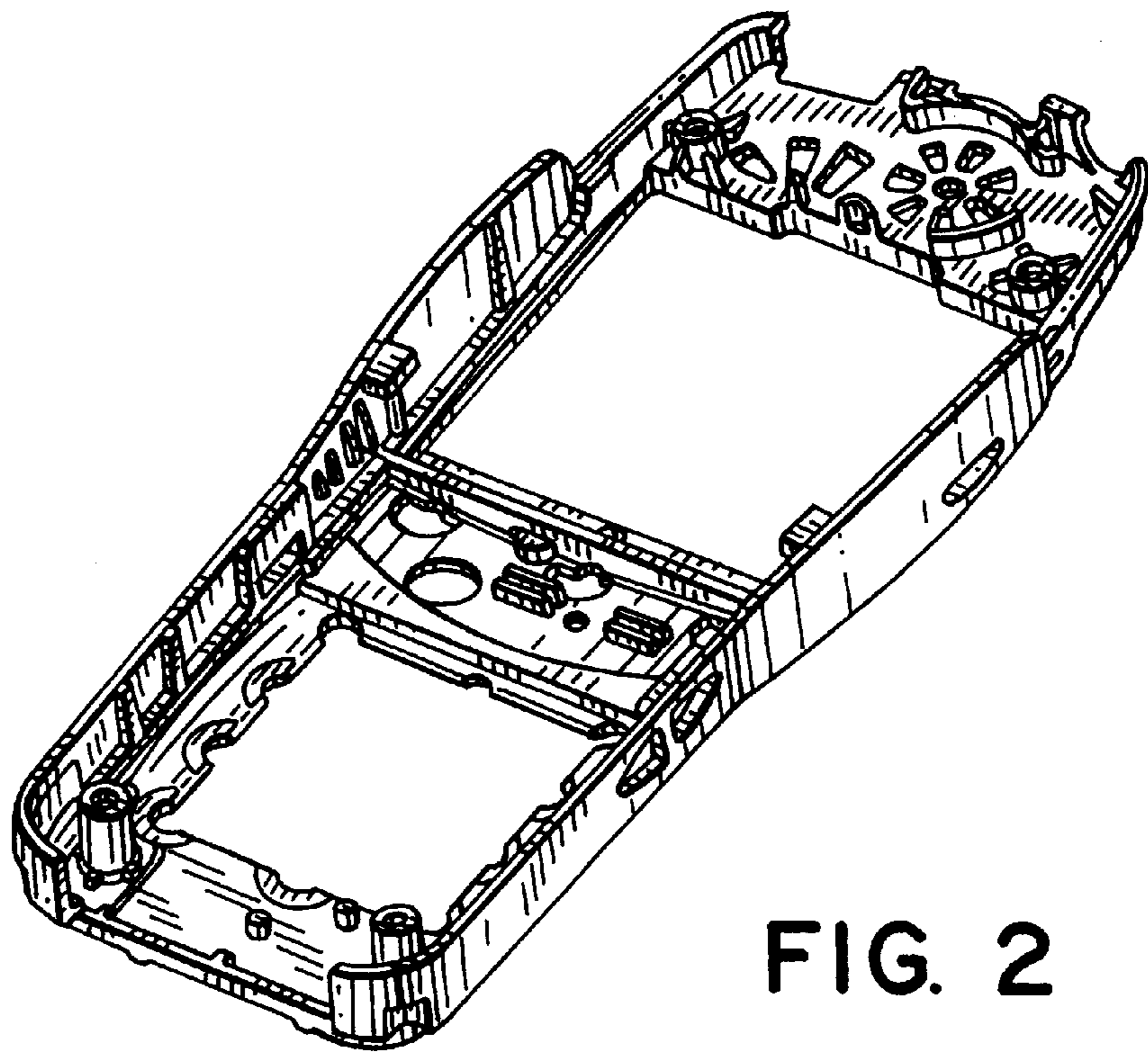
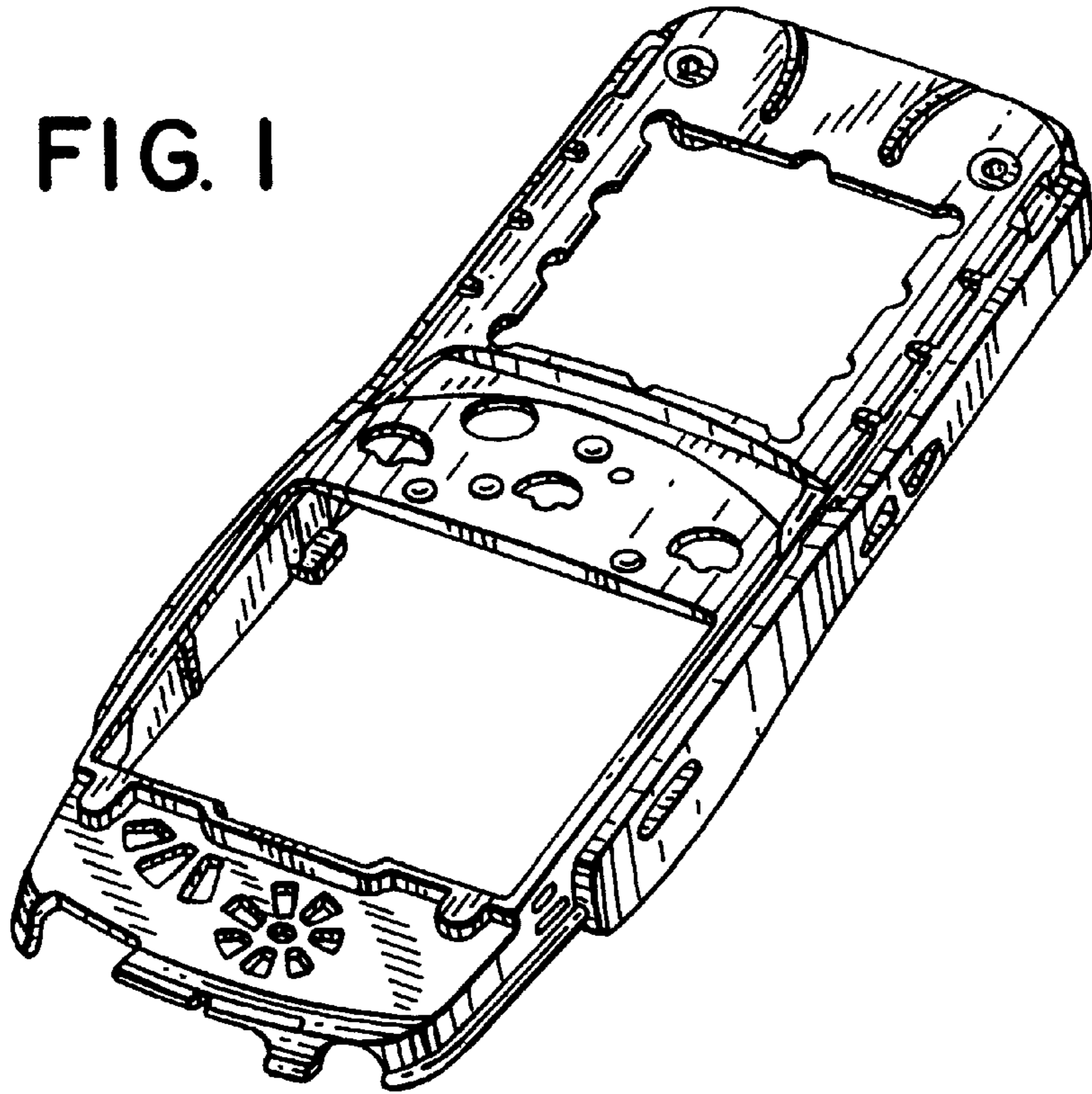


FIG. 2

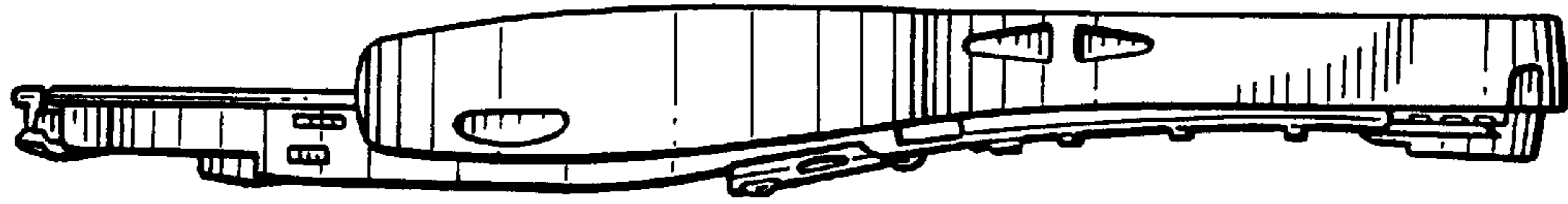


FIG. 3

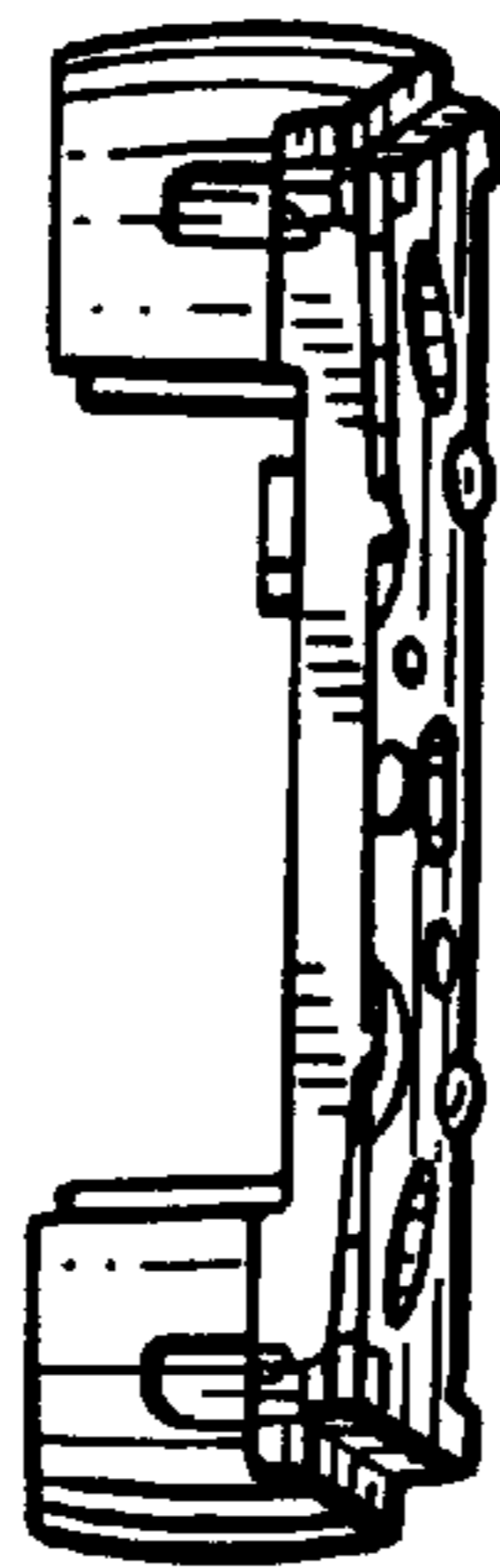


FIG. 4

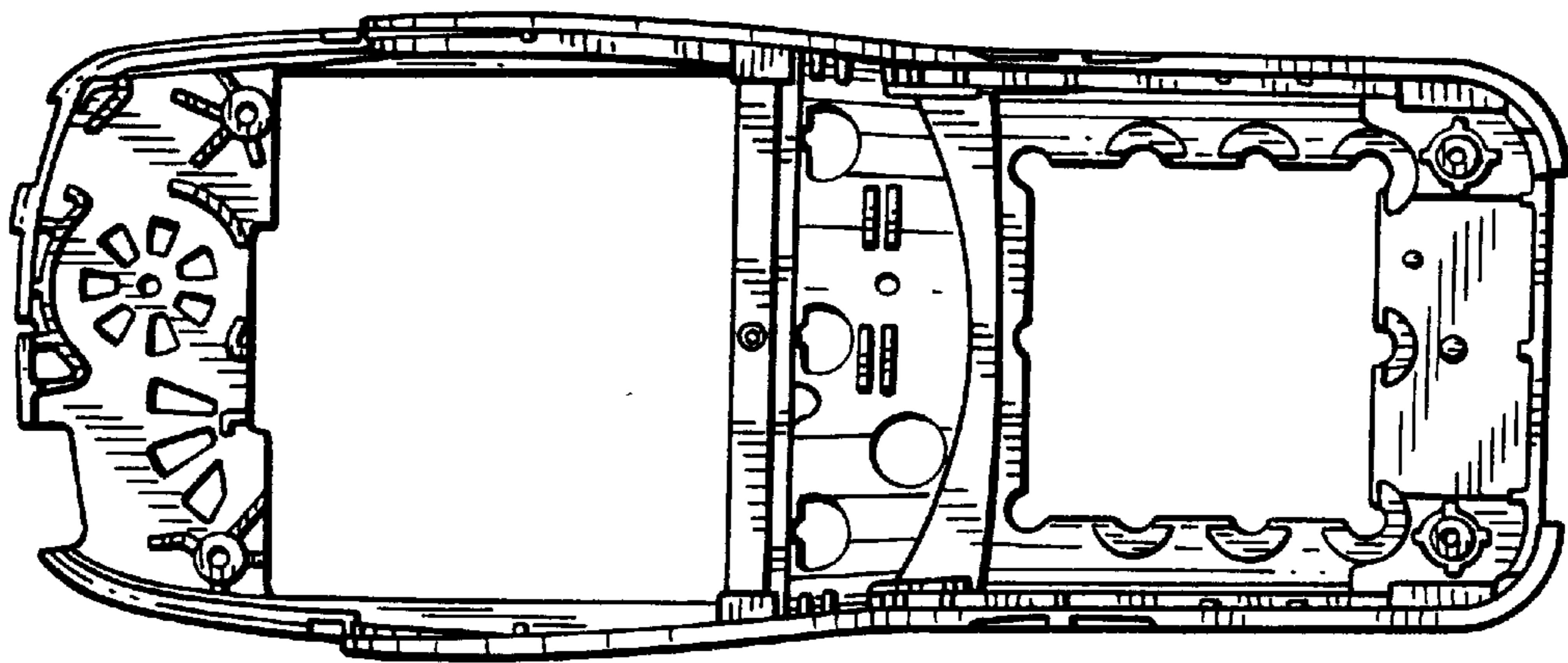


FIG. 5

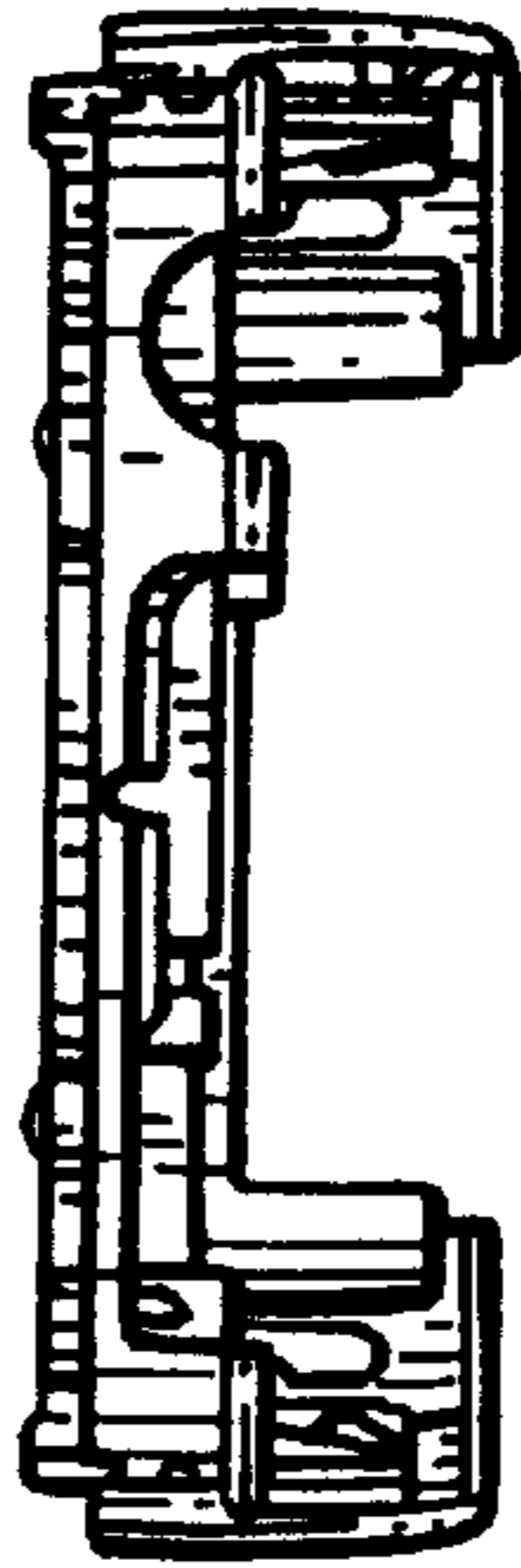


FIG. 6

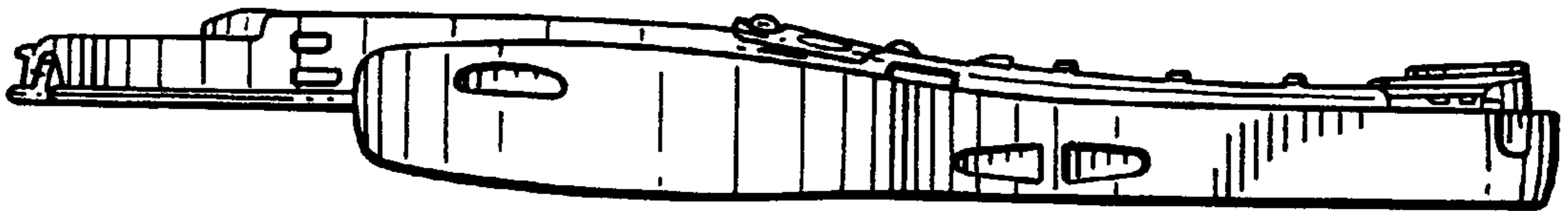


FIG. 7

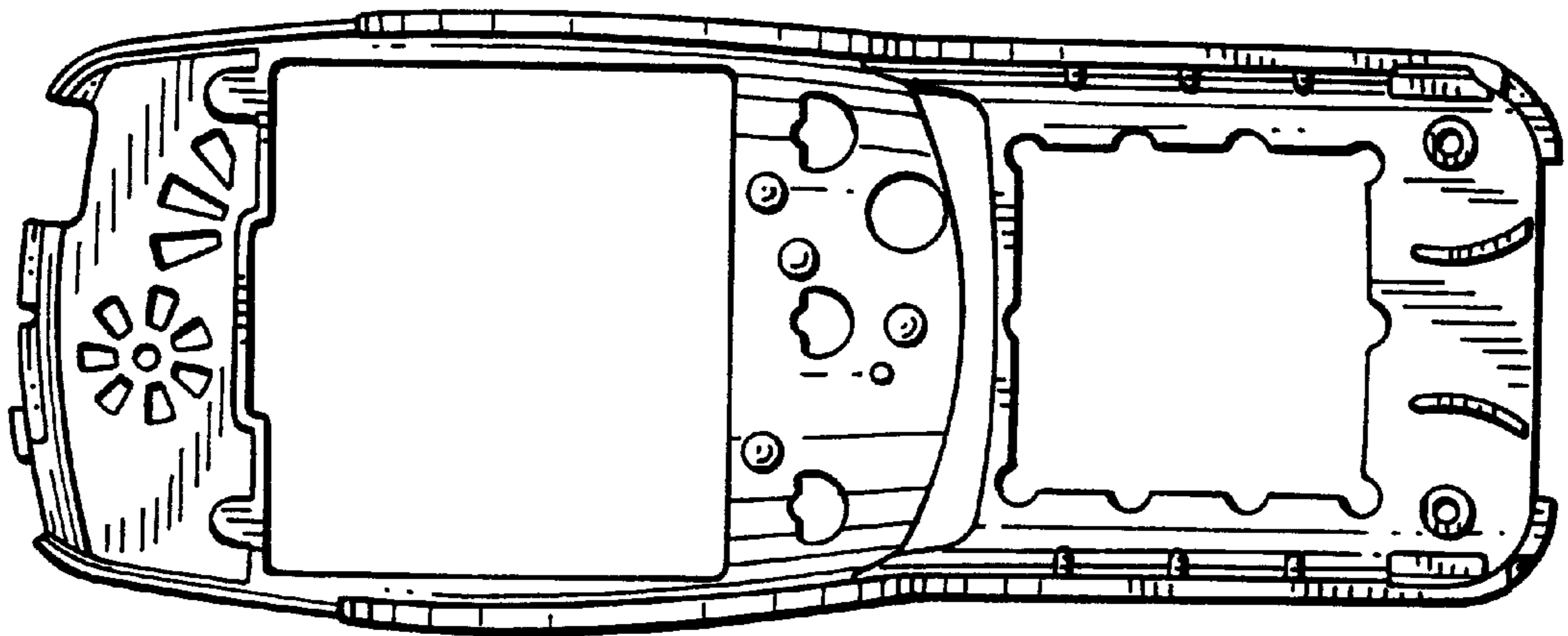


FIG. 8