



US00D421017S

United States Patent [19] Phipps

[11] Patent Number: Des. 421,017

[45] Date of Patent: ** Feb. 22, 2000

[54] TELEVISION ANTENNA

[75] Inventor: Daniel A. Phipps, Round Lake, Ill.

[73] Assignee: Zenith Electronics Corporation,
Glenview, Ill.

[**] Term: 14 Years

[21] Appl. No.: 29/081,328

[22] Filed: Dec. 4, 1997

[51] LOC (7) Cl. 14-03

[52] U.S. Cl. D14/230

[58] Field of Search D14/230-238;
343/702, 812, 805, 823, 793, 846, 882

[56] **References Cited**

U.S. PATENT DOCUMENTS

D. 295,517	5/1988	Moriyama et al.	D14/235
D. 306,862	3/1990	Kent	D14/230
D. 308,204	5/1990	Takizawa	D14/235
D. 310,671	9/1990	Weiss	D14/230
D. 332,262	1/1993	Borchardt	D14/230
D. 333,470	2/1993	Vong	D14/230
D. 345,362	3/1994	Kadono et al.	D14/230
D. 345,564	3/1994	Kadono et al.	D14/230
D. 345,982	4/1994	Lucey	D14/230

D. 347,010	5/1994	Emmerling	D14/230
D. 378,368	3/1997	McGreevy	D14/230
4,887,091	12/1989	Yamada	343/882
4,992,799	2/1991	Garay	343/702
5,019,833	5/1991	Nonka	343/840
5,394,161	2/1995	Ubaldo et al.	343/702
5,467,477	11/1995	Furuta et al.	343/702

Primary Examiner—Louis S. Zarfes
Assistant Examiner—G. Andoll

[57] **CLAIM**

The ornamental design for a television antenna, as shown and described.

DESCRIPTION

FIG. 1 is a perspective view of a television antenna showing my new design;
FIG. 2 is a top plan view thereof;
FIG. 3 is a right side elevational view thereof;
FIG. 4 is a left side elevation view thereof;
FIG. 5 is a front elevational view thereof; and,
FIG. 6 is a rear elevational view thereof.
The broken away showing of the rod portions of the television antenna indicates that they are of indeterminate length.

1 Claim, 3 Drawing Sheets

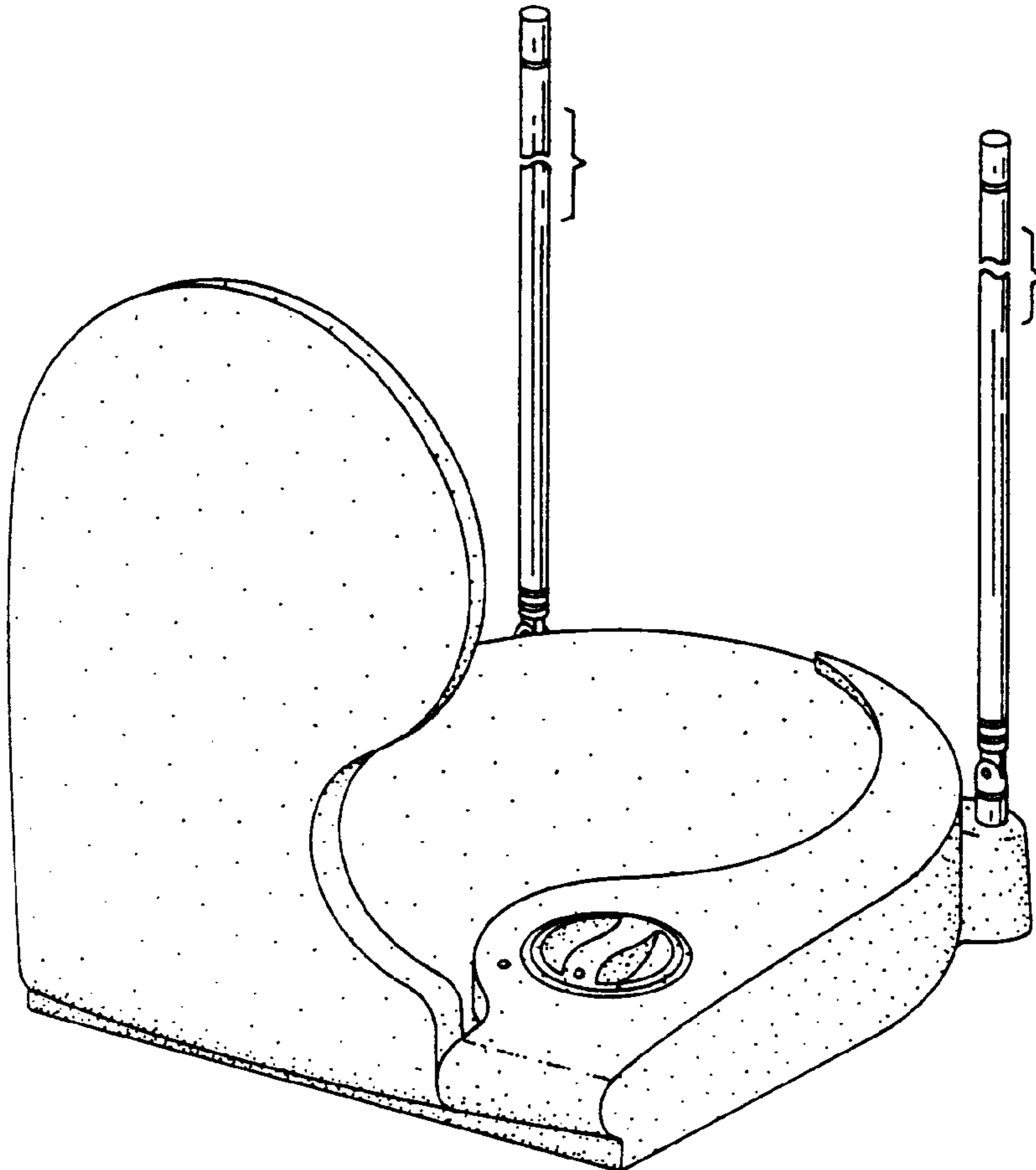


FIG 1

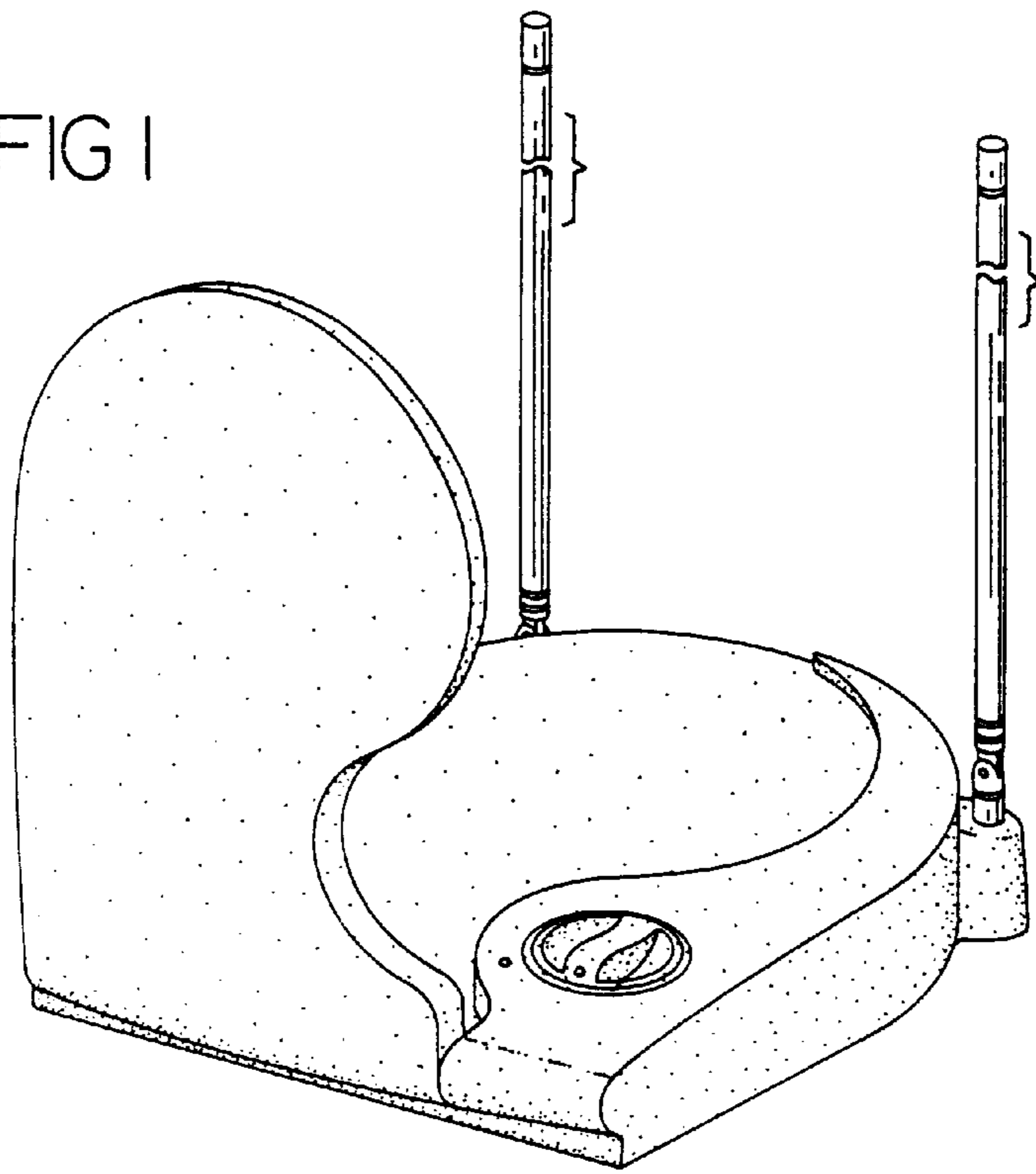


FIG 2

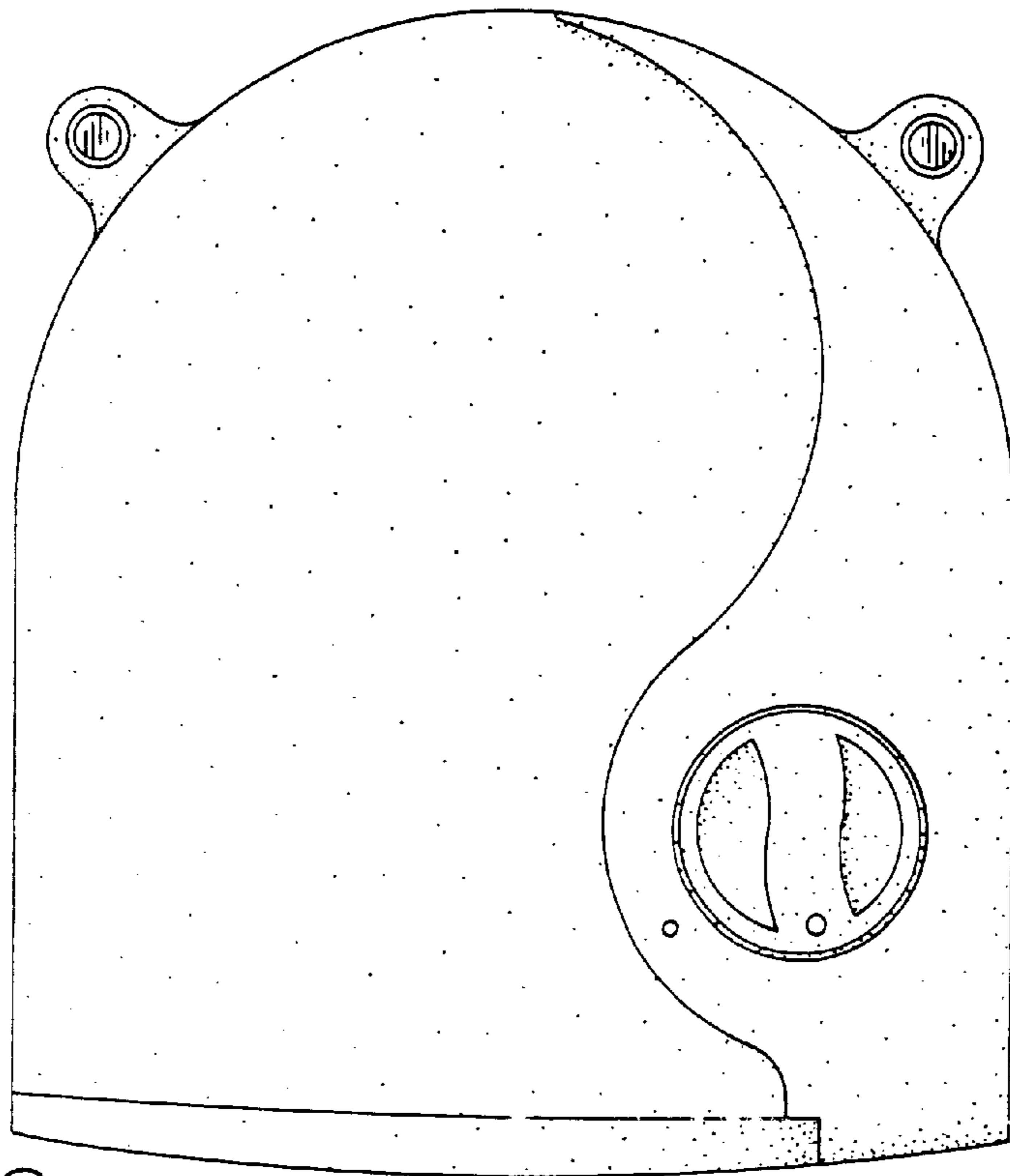


FIG 3

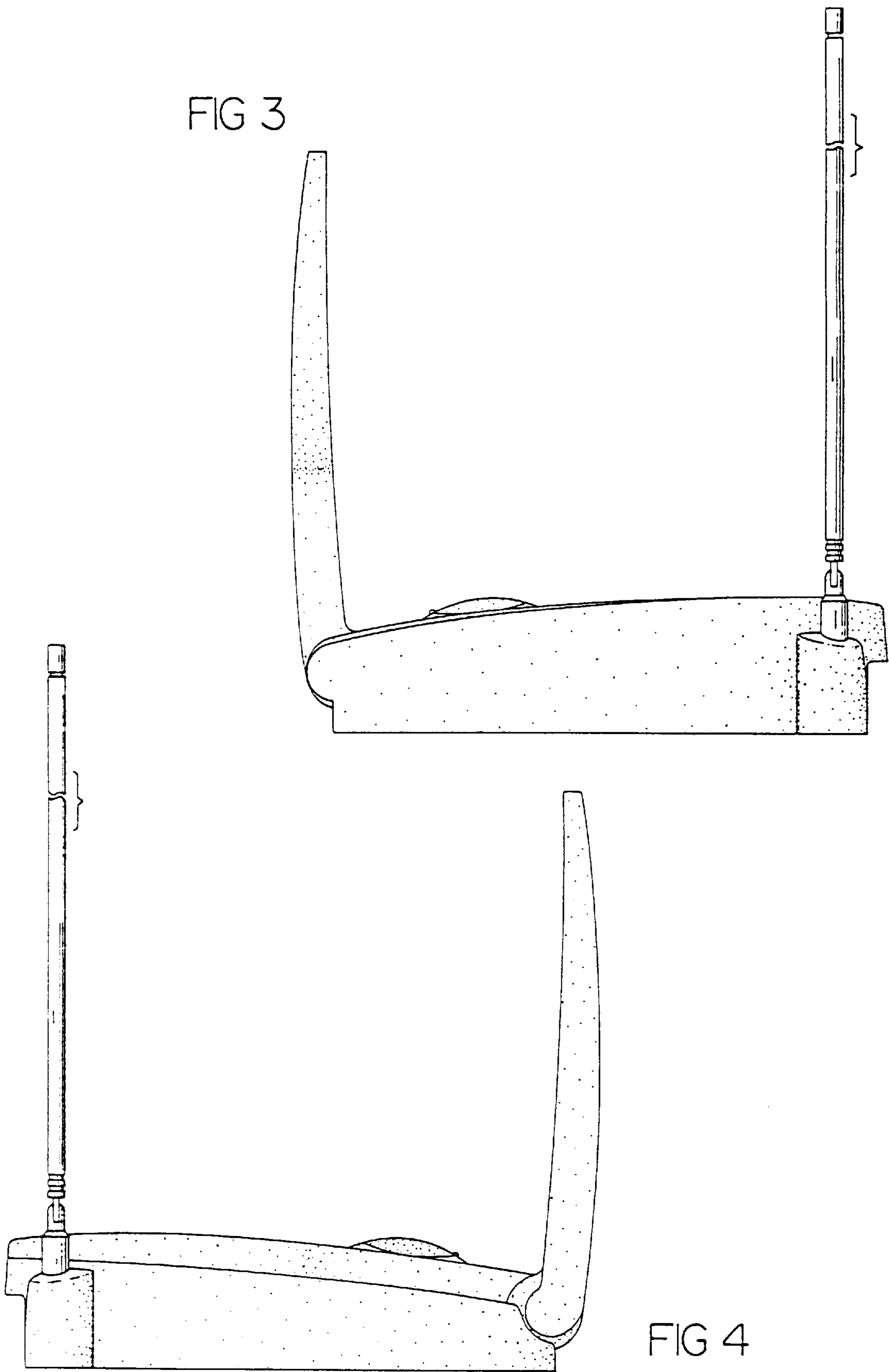


FIG 4

FIG 5

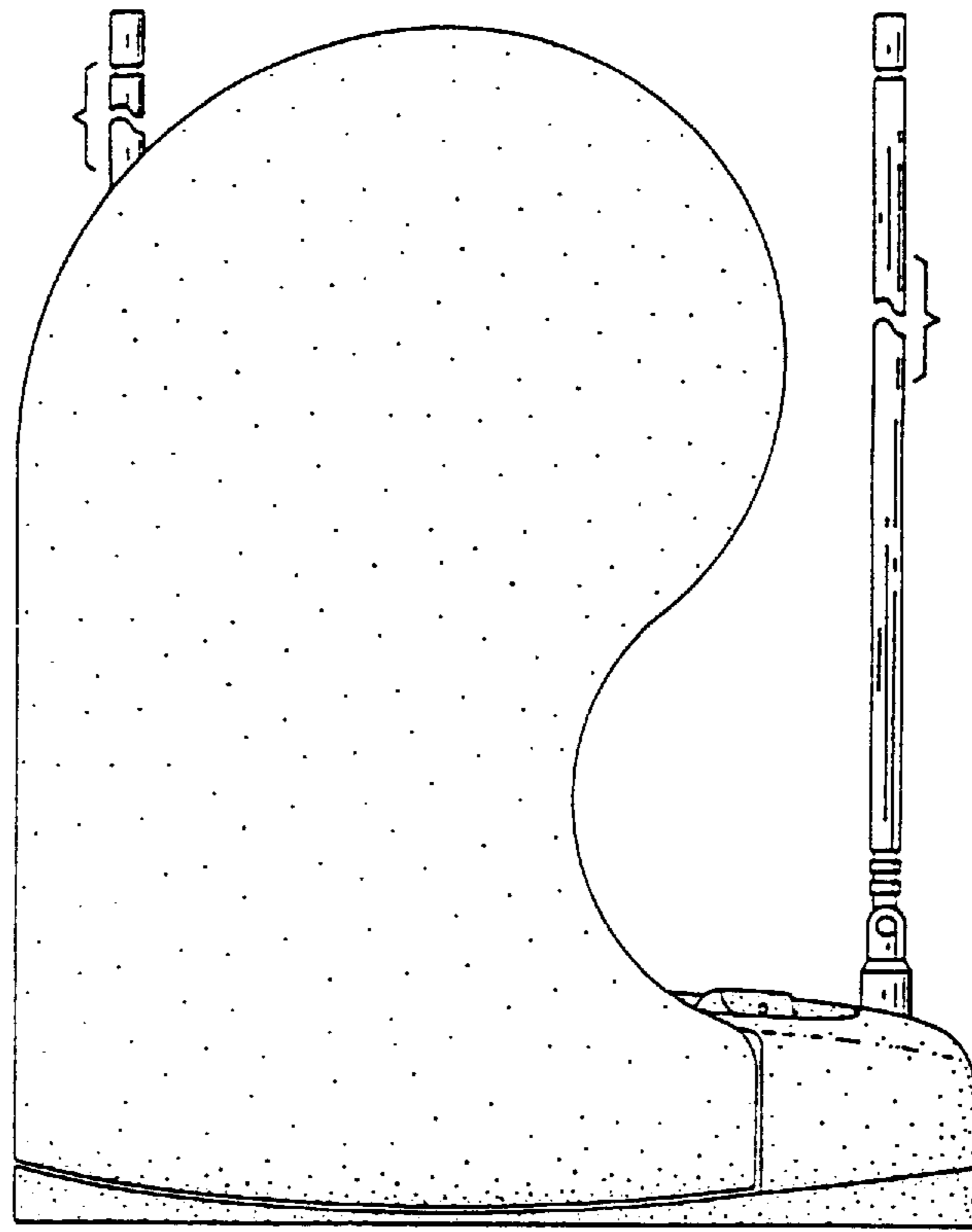


FIG 6

