



US00D421014S

**United States Patent** [19]  
**Smith**

[11] **Patent Number: Des. 421,014**

[45] **Date of Patent: \*\* Feb. 22, 2000**

[54] **WIRELESS HEADPHONE SET**

[76] Inventor: **Jeffrey R Smith**, 17 Maple St.,  
Greenvale, N.Y. 11548

[\*\*] Term: **14 Years**

[21] Appl. No.: **29/103,503**

[22] Filed: **Apr. 15, 1999**

[51] **LOC (7) Cl.** ..... **14-01**

[52] **U.S. Cl.** ..... **D14/205**

[58] **Field of Search** ..... D14/192, 205,  
D14/206, 223; 181/129, 130; 379/430,  
431; 381/309, 370

[56] **References Cited**

**U.S. PATENT DOCUMENTS**

D. 318,669	7/1991	Nakayama	.....	D14/205
D. 368,716	4/1996	Shudo	.....	D14/205
D. 371,558	7/1996	Yoshizawa	.....	D14/205
D. 375,312	11/1996	Kanno	.....	D14/205

*Primary Examiner*—Nanda Bondade

[57] **CLAIM**

The ornamental design for a wireless headphone set, as shown.

**DESCRIPTION**

FIG. 1 is a front elevational view of the wireless headphone set of the present invention;

FIG. 2 is a back elevational view of the wireless headphone set of FIG. 1;

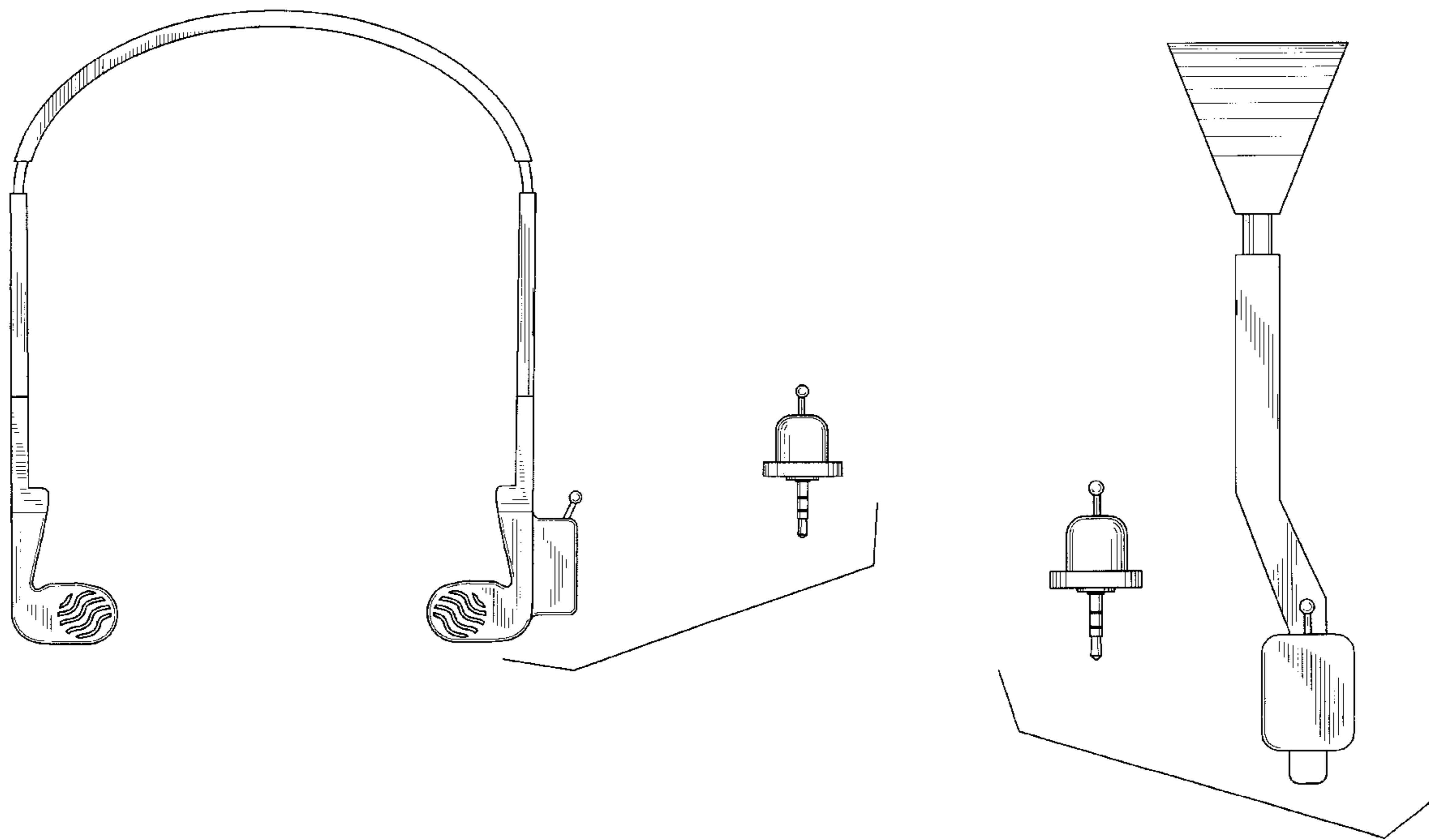
FIG. 3 is a left side elevational view of the wireless headphone set of FIG. 1;

FIG. 4 is a right side elevational view of the wireless headphone set of FIG. 1;

FIG. 5 is a top plan view of the wireless headphone set of FIG. 1; and,

FIG. 6 is a bottom plan view of the wireless headphone set of FIG. 1.

**1 Claim, 3 Drawing Sheets**



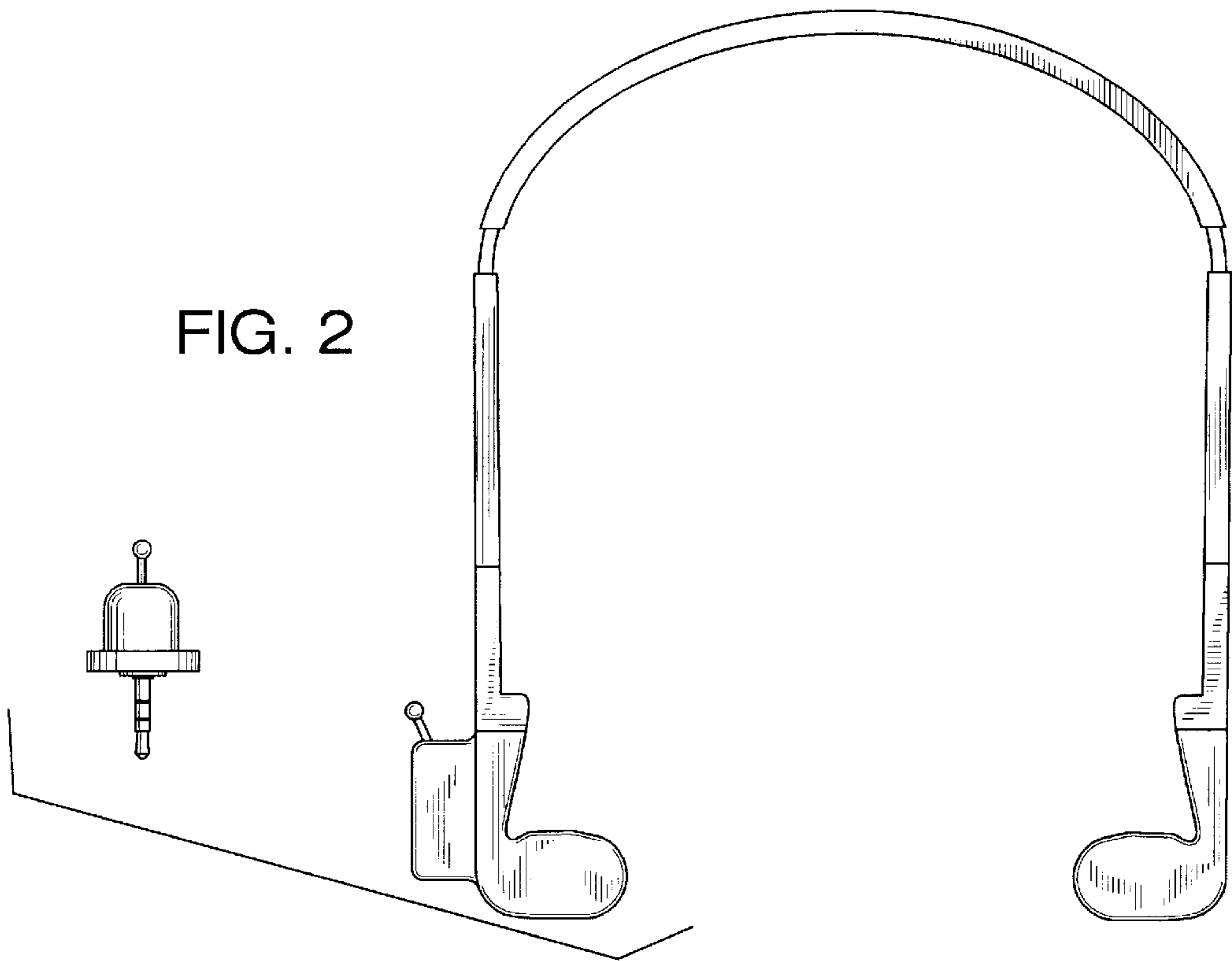
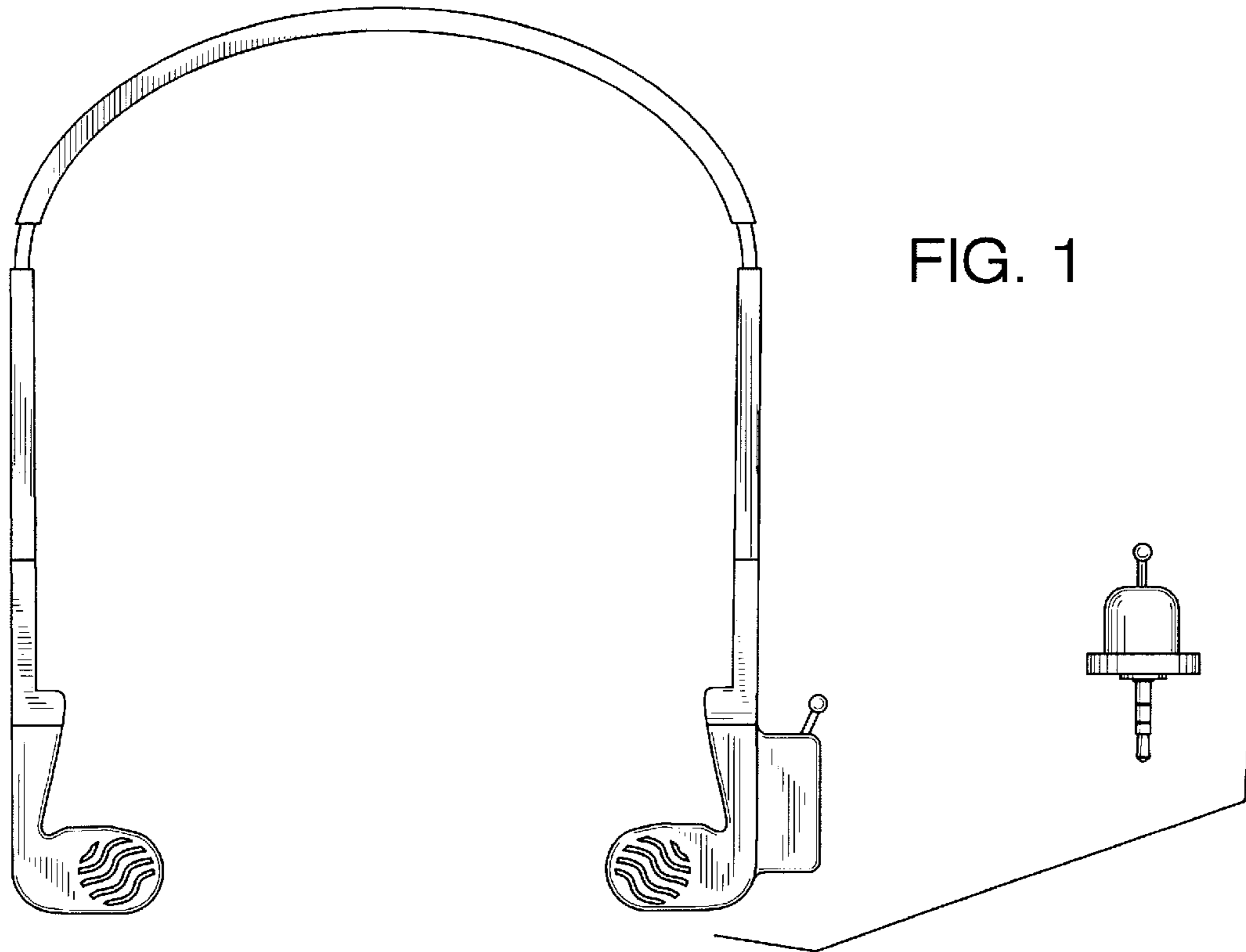


FIG. 3

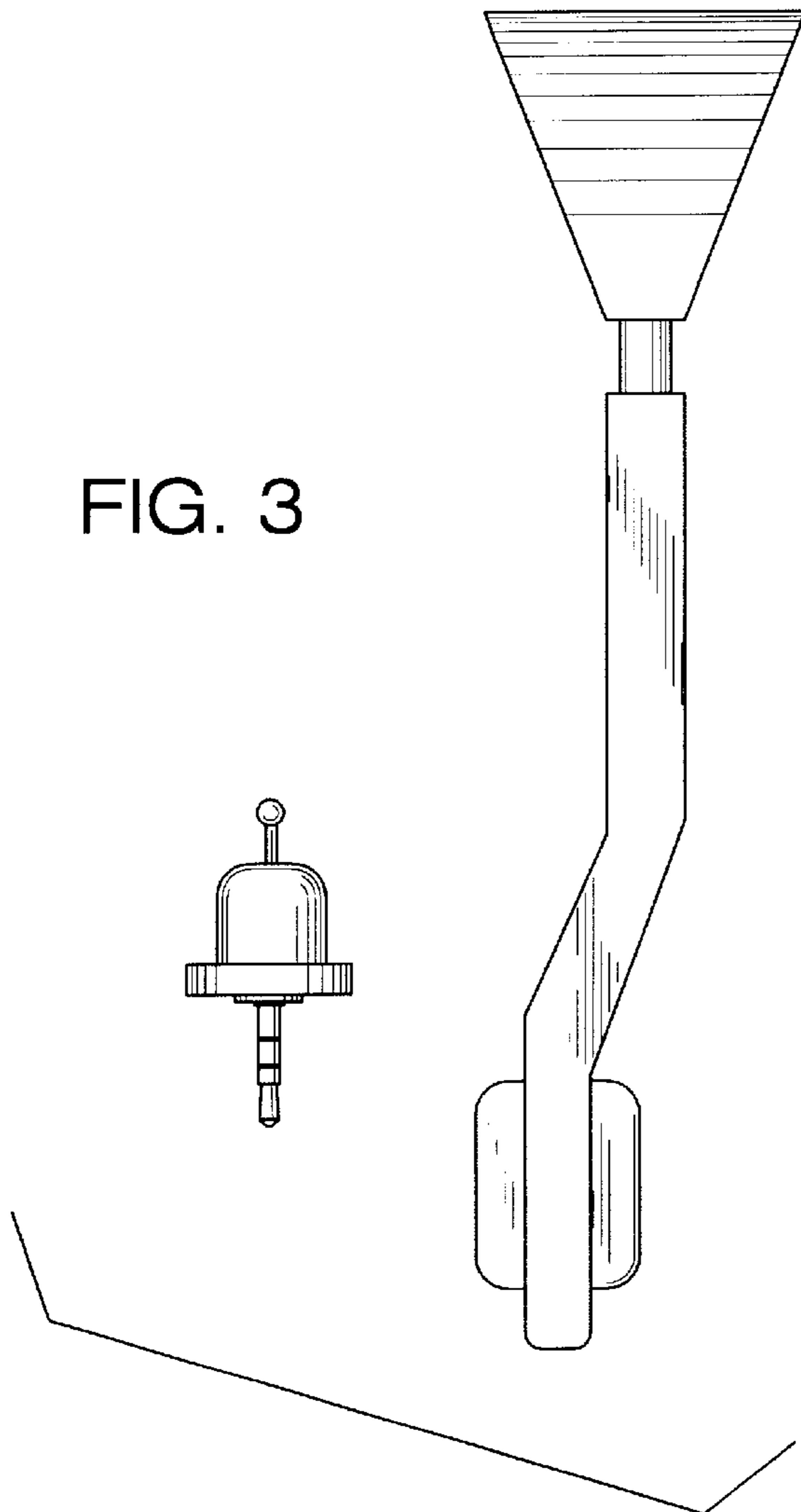


FIG. 4

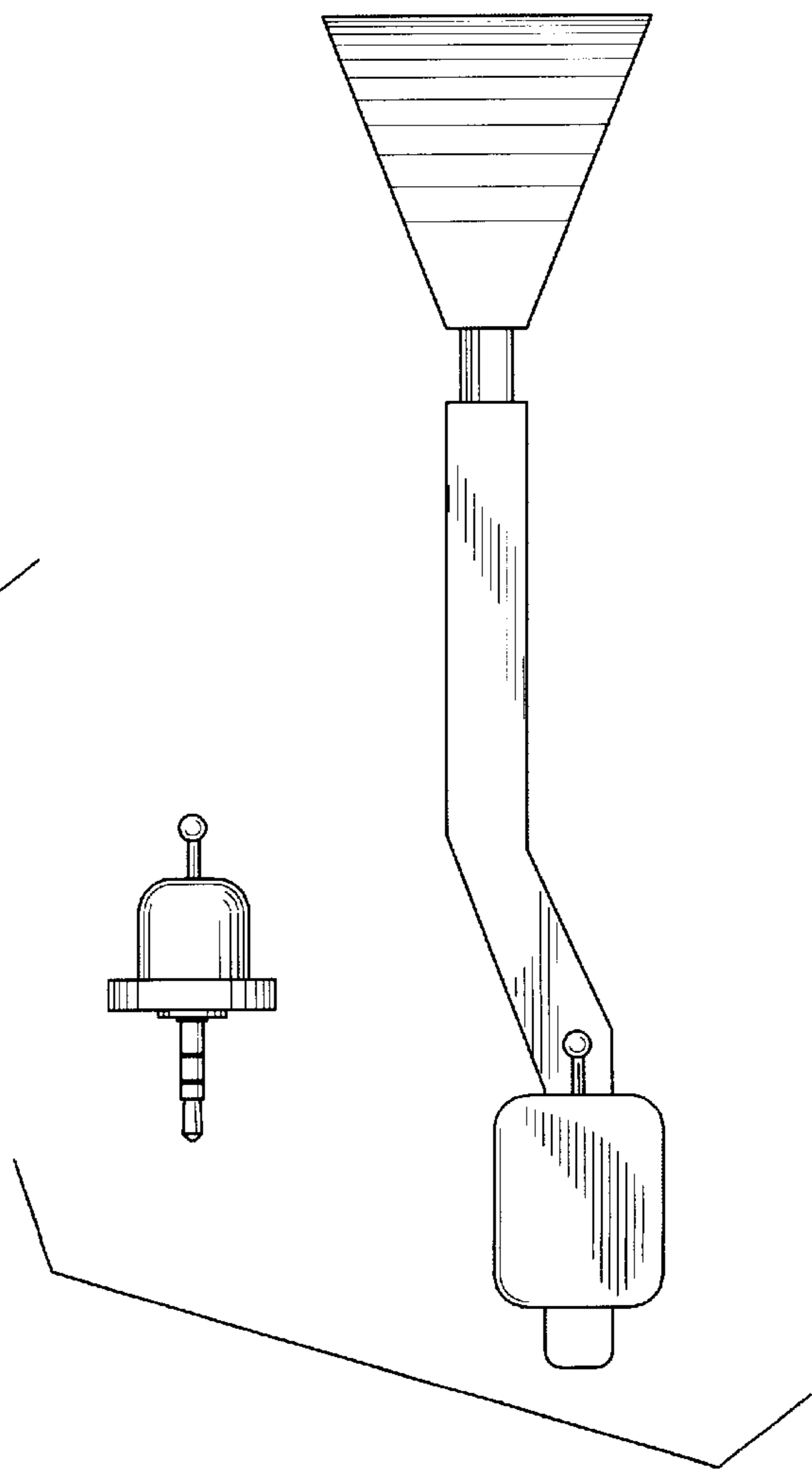


FIG. 5

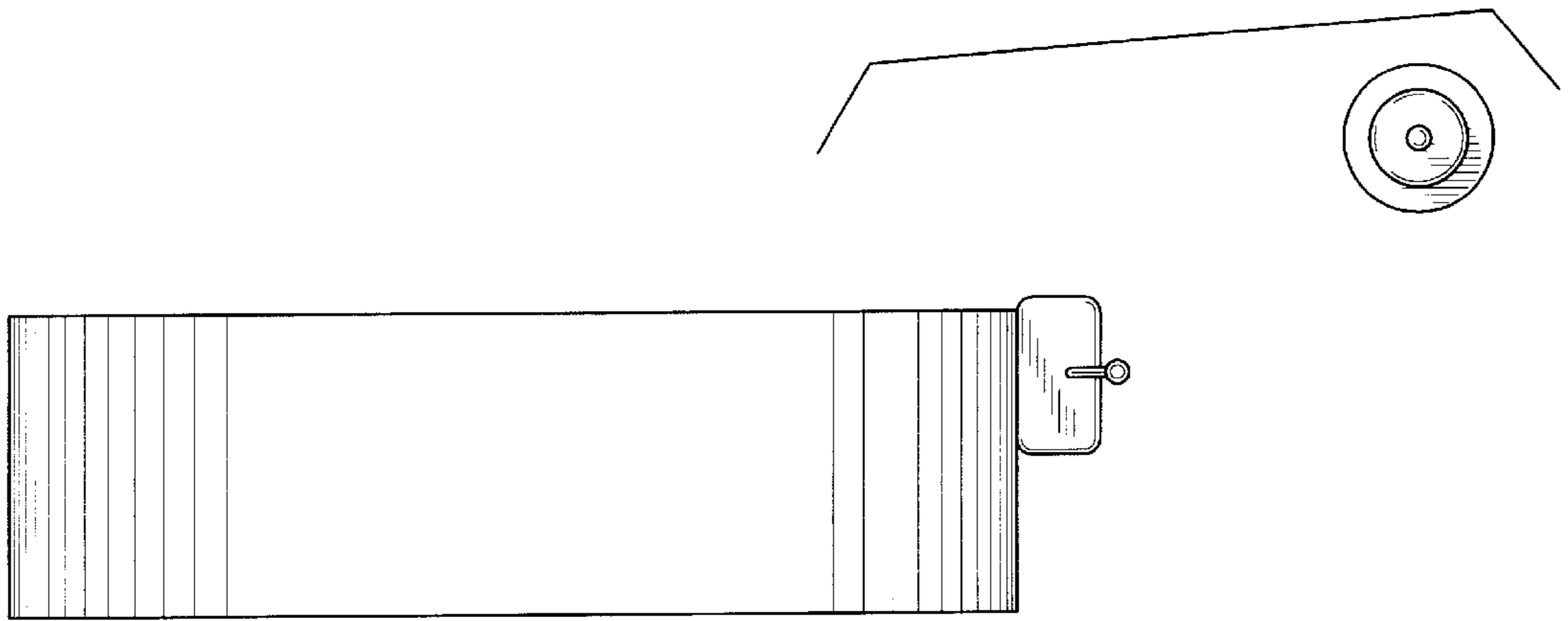


FIG. 6

