



US00D421013S

United States Patent [19]

Isonaga

[11] **Patent Number: Des. 421,013**

[45] **Date of Patent: ** Feb. 22, 2000**

[54] **PAGER**

[75] Inventor: **Yasuaki Isonaga**, Tokyo, Japan

[73] Assignee: **Sony Corporation**, Tokyo, Japan

[**] Term: **14 Years**

[21] Appl. No.: **29/081,210**

[22] Filed: **Dec. 24, 1997**

[51] **LOC (7) Cl.** **14-03**

[52] **U.S. Cl.** **D14/191**

[58] **Field of Search** D14/124, 188,
D14/191, 192, 299; 340/311.1; 455/38.1-38.4,
90, 92, 100, 343

[56] **References Cited**

U.S. PATENT DOCUMENTS

- D. 352,286 11/1994 Scheid et al. D14/191
- D. 364,870 12/1995 Scheid et al. D14/191
- D. 371,131 6/1996 Chan et al. D14/191

D. 382,561 8/1997 Khoo et al. D14/191

OTHER PUBLICATIONS

NTT DoCoMo Catalog, "NEXT" (Dec. 1997).

Primary Examiner—Nanda Bondade
Attorney, Agent, or Firm—Foley & Lardner

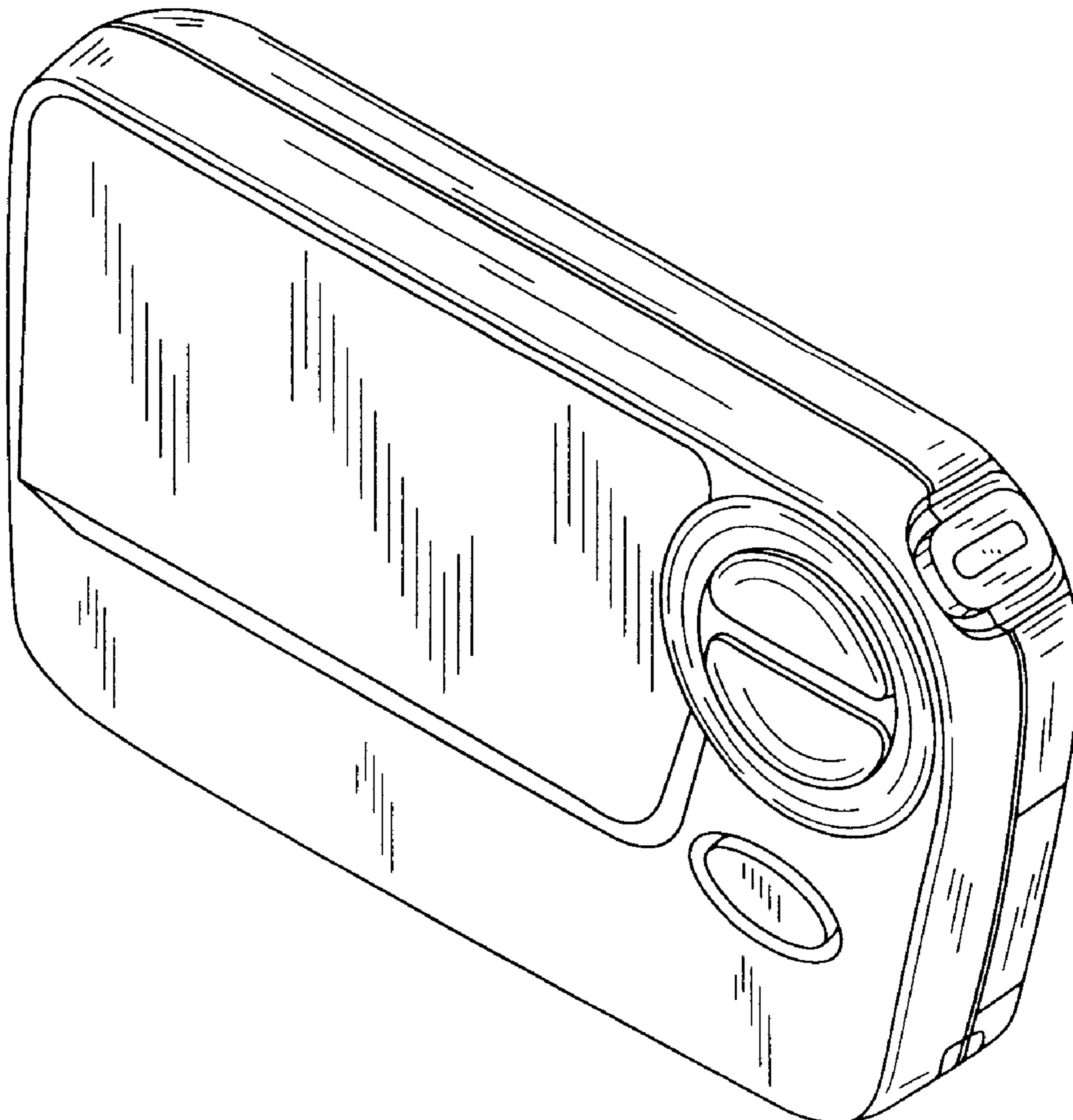
[57] **CLAIM**

The ornamental design for a pager, as shown and described.

DESCRIPTION

FIG. 1 is a perspective view of a pager showing my new design;
FIG. 2 is a top plan view thereof;
FIG. 3 is a left side elevational view thereof;
FIG. 4 is a front elevational view thereof;
FIG. 5 is a right side elevational view thereof;
FIG. 6 is a bottom plan view thereof; and,
FIG. 7 is a rear elevational view thereof.

1 Claim, 3 Drawing Sheets



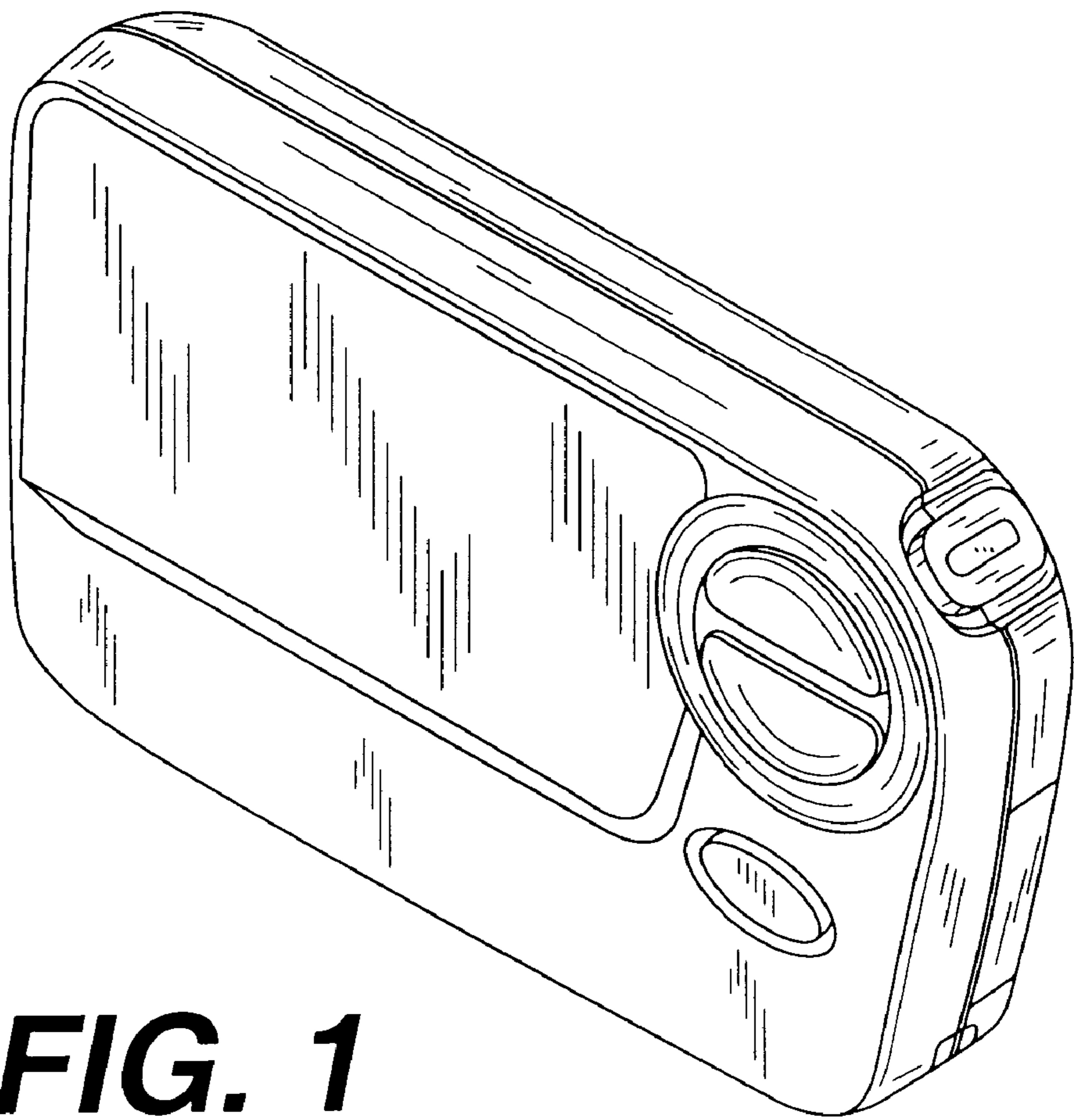


FIG. 1

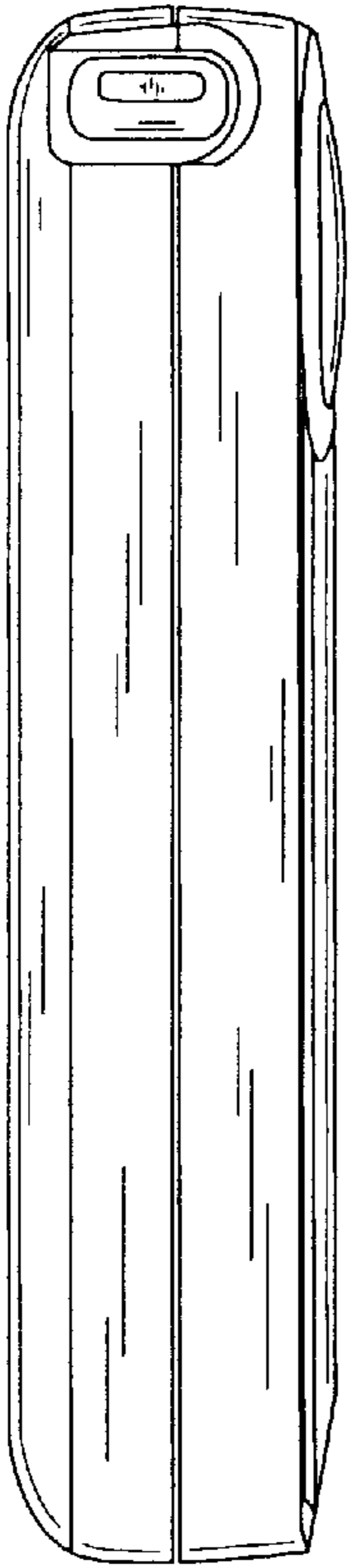


FIG. 2

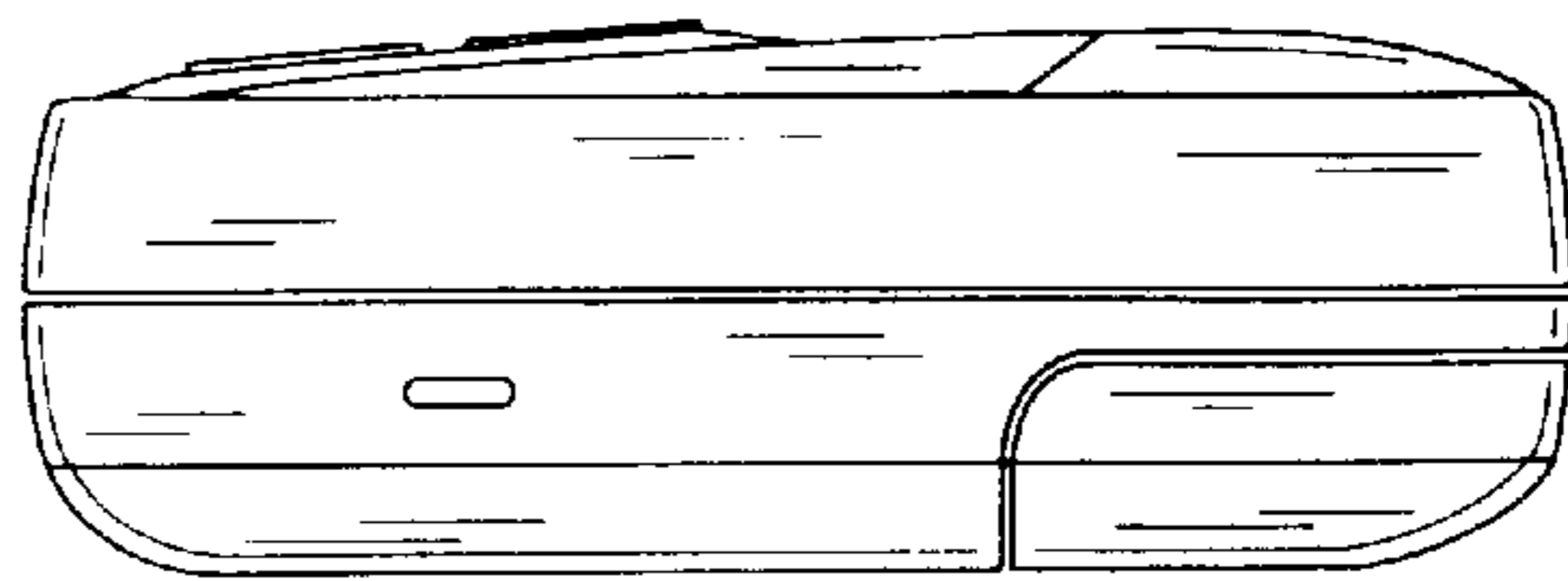


FIG. 3

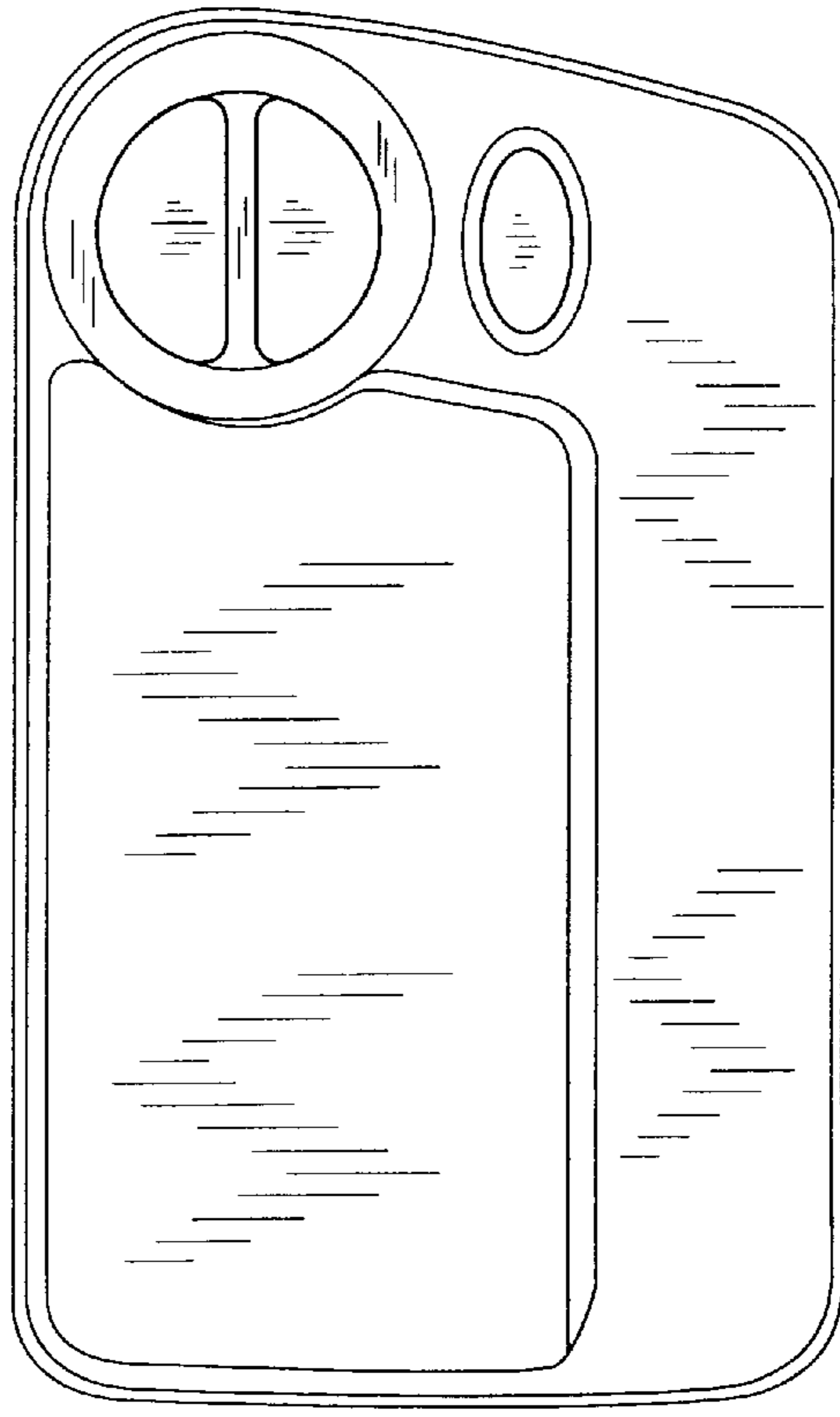


FIG. 4

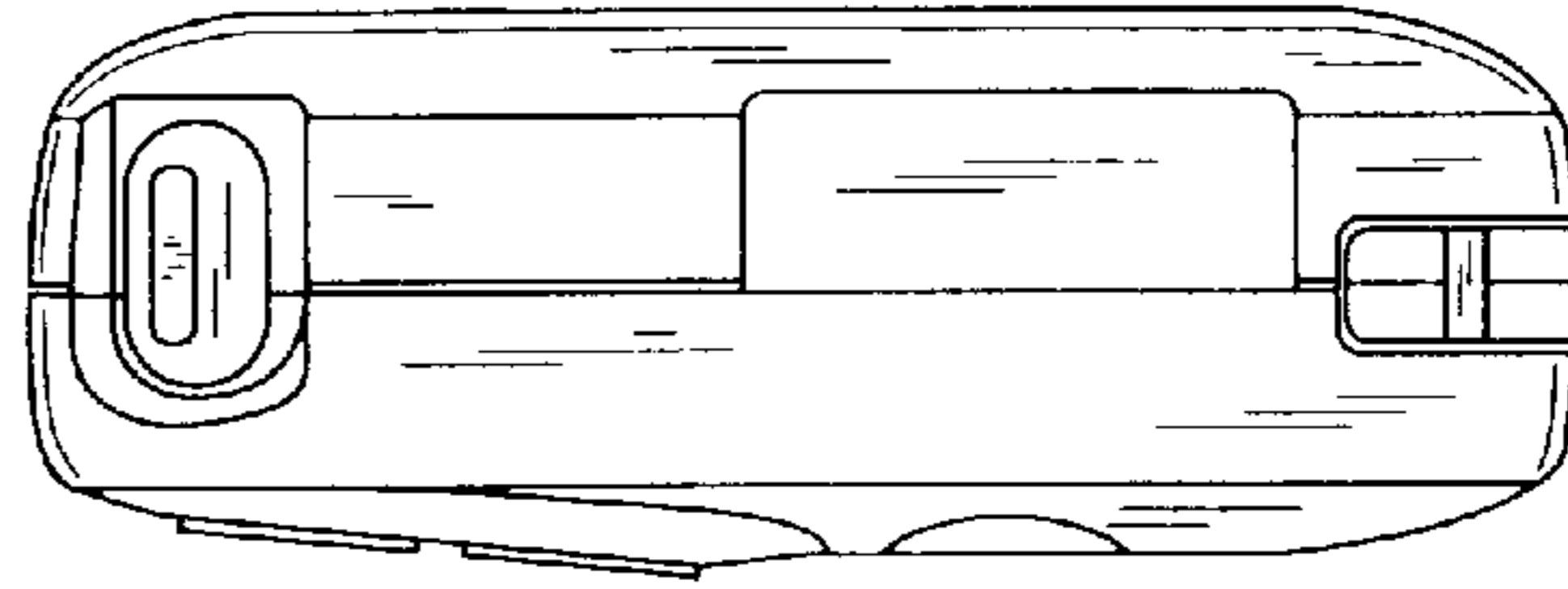


FIG. 5

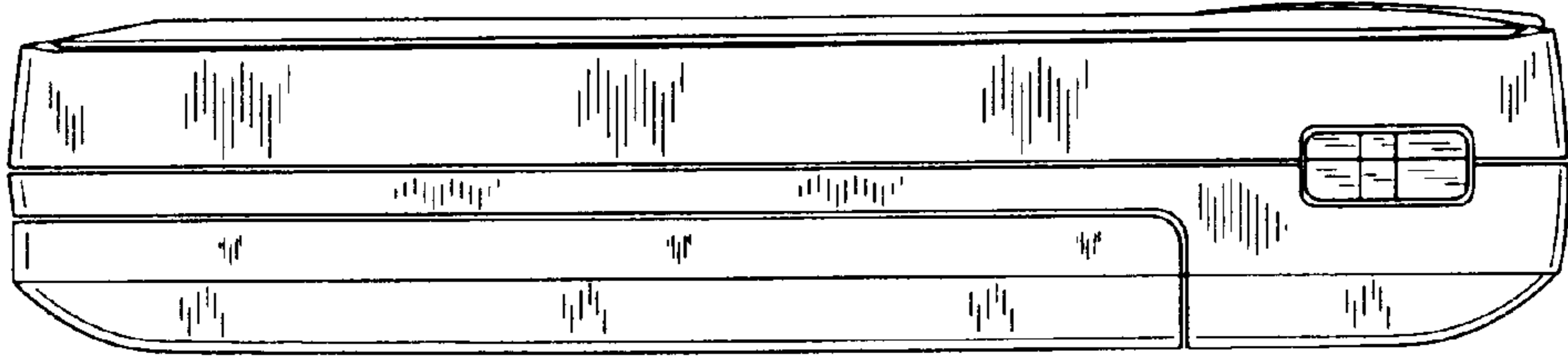


FIG. 6

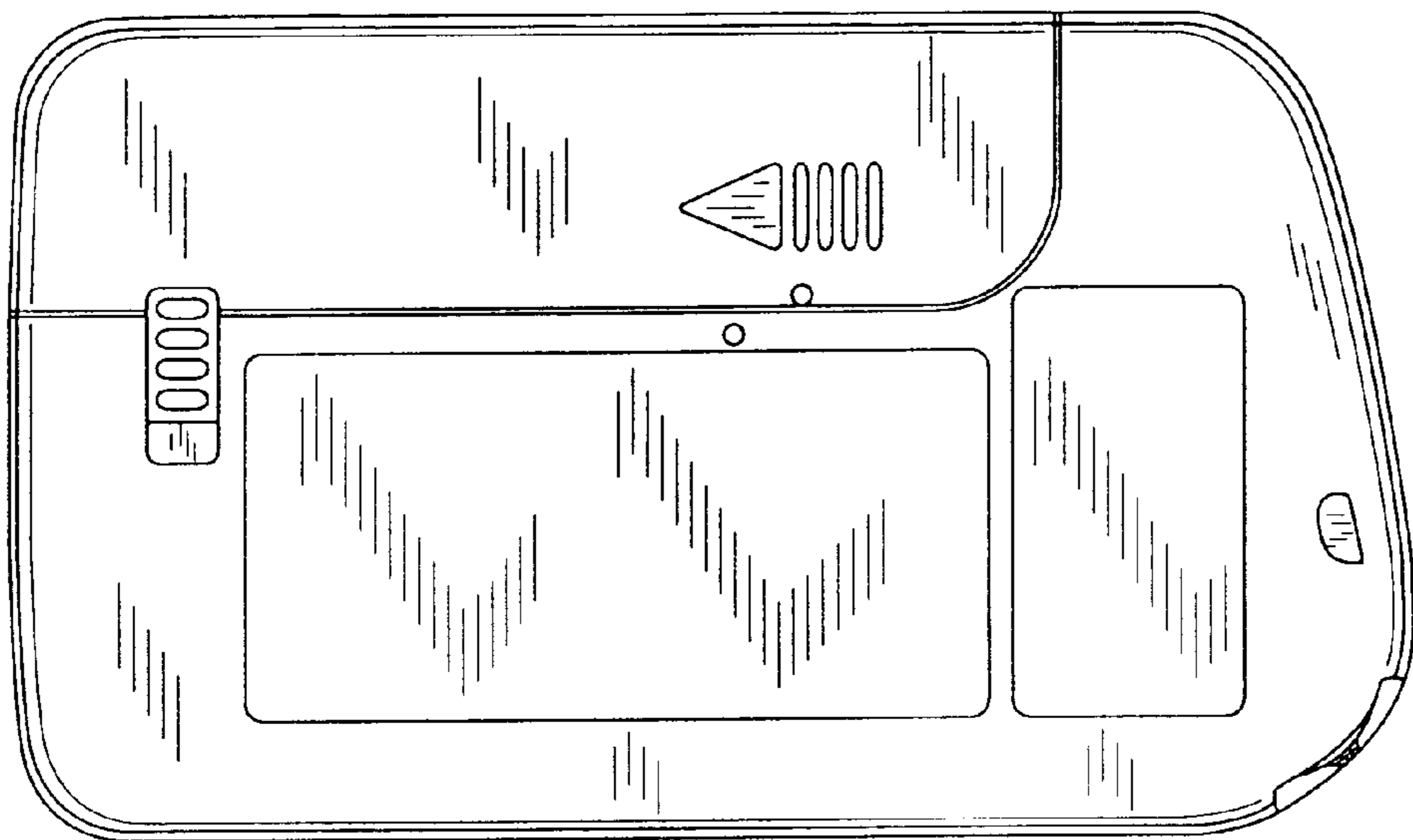


FIG. 7