



US00D421012S

United States Patent [19] Myers

[11] **Patent Number: Des. 421,012**

[45] **Date of Patent: ** Feb. 22, 2000**

[54] **AUDIO AMPLIFIER HAVING AN END PANEL MOUNTED METER, LCD/LED GRAPHICAL DISPLAY AND REMOTE CONTROL**

[76] Inventor: **Elyas Myers**, 4480 Pacific Blvd., Vernon, Calif. 90058

[**] Term: **14 Years**

[21] Appl. No.: **29/103,813**

[22] Filed: **Apr. 22, 1999**

[51] **LOC (7) Cl.** **14-03**

[52] **U.S. Cl.** **D14/188; D14/218**

[58] **Field of Search** D13/179, 184; D14/124, 168, 188, 189, 197-199, 217, 218, 265, 299; 455/344, 345, 347, 350, 351

[56] **References Cited**

U.S. PATENT DOCUMENTS

- D. 185,741 7/1959 De Jager D14/218
- D. 343,394 1/1994 Kakizaki D14/188
- D. 355,654 2/1995 Koulopoulos D14/188

D. 360,138 7/1995 DeLarosa D14/198 X

Primary Examiner—Nanda Bondade
Attorney, Agent, or Firm—Beehler & Pavitt; William H. Pavitt; David A. Belasco

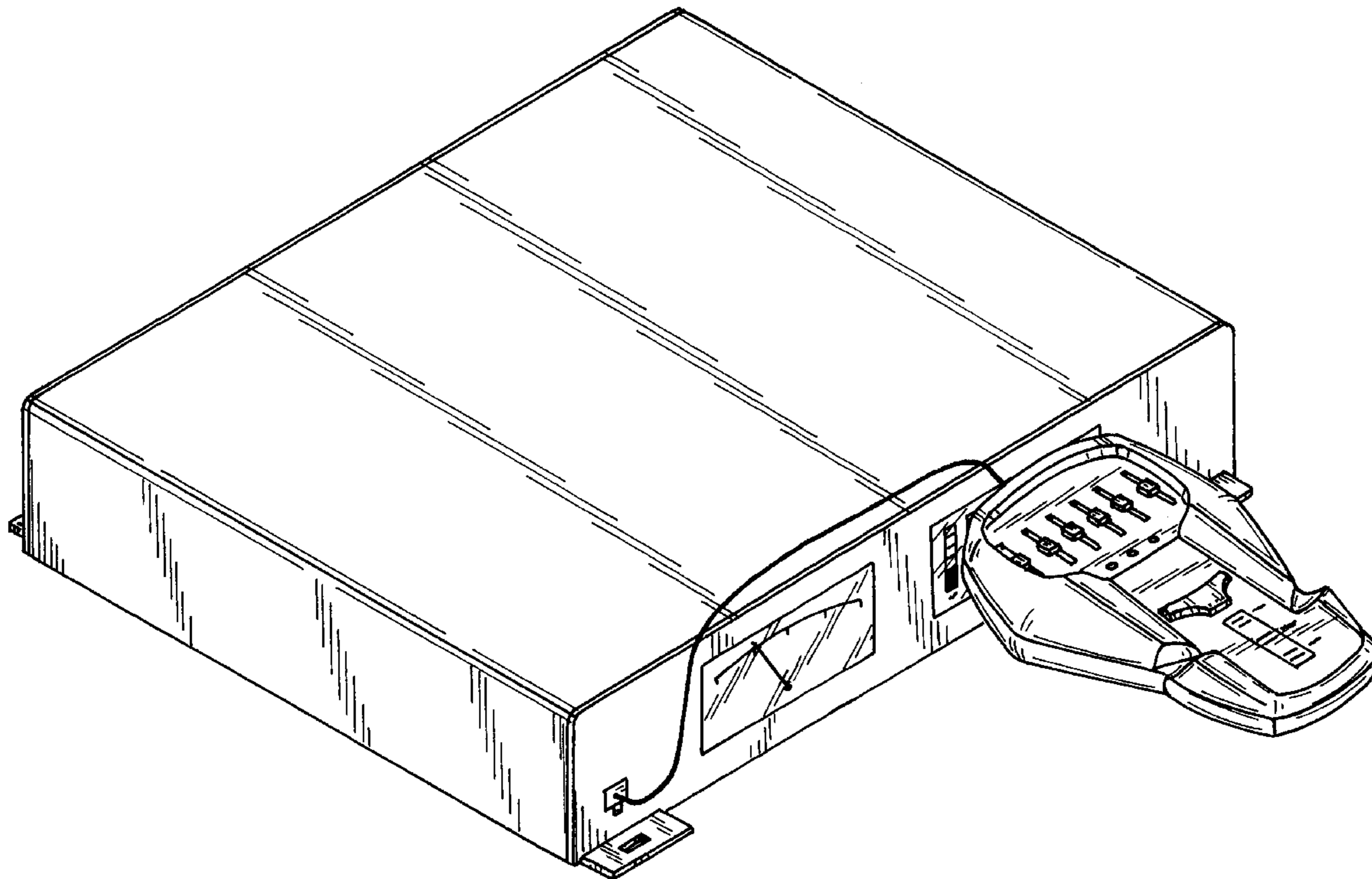
[57] **CLAIM**

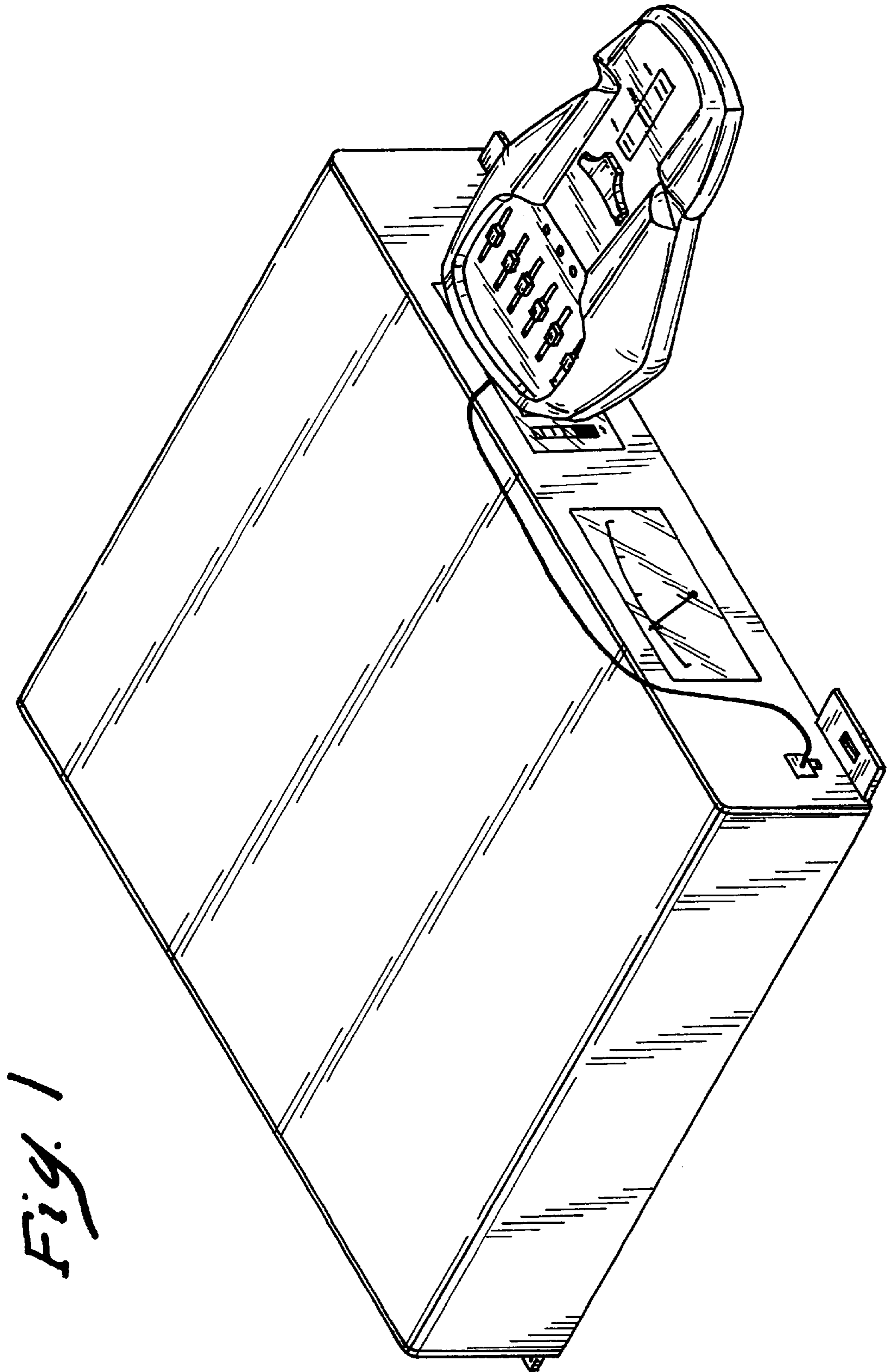
The ornamental design for an audio amplifier having an end panel mounted meter, LCD/LED graphical display and remote control, as shown and described.

DESCRIPTION

FIG. 1 is a perspective view of an audio amplifier having an end panel mounted meter, LCD/LED graphical display and remote control showing my new design; FIG. 2 is an enlarged top plan view of the remote control, shown separately for clarity of illustration; FIG. 3 is a top plan view of the FIG. 1 embodiment; FIG. 4 is a front elevation view thereof; FIG. 5 is a left side elevation view thereof; FIG. 6 is a right side elevation view thereof; FIG. 7 is a bottom plan view thereof; and, FIG. 8 is a rear elevation view thereof.

1 Claim, 5 Drawing Sheets





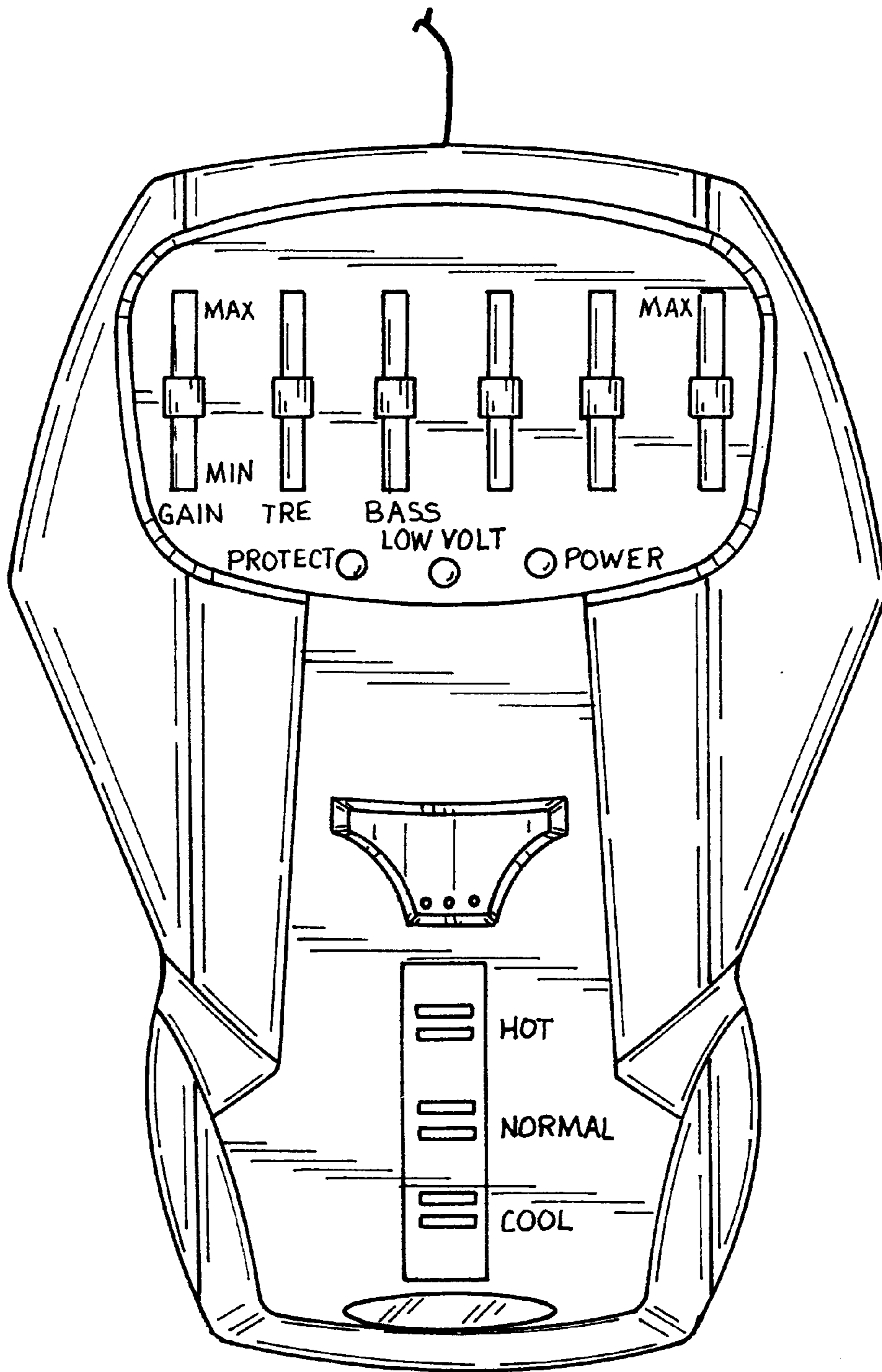


Fig. 2

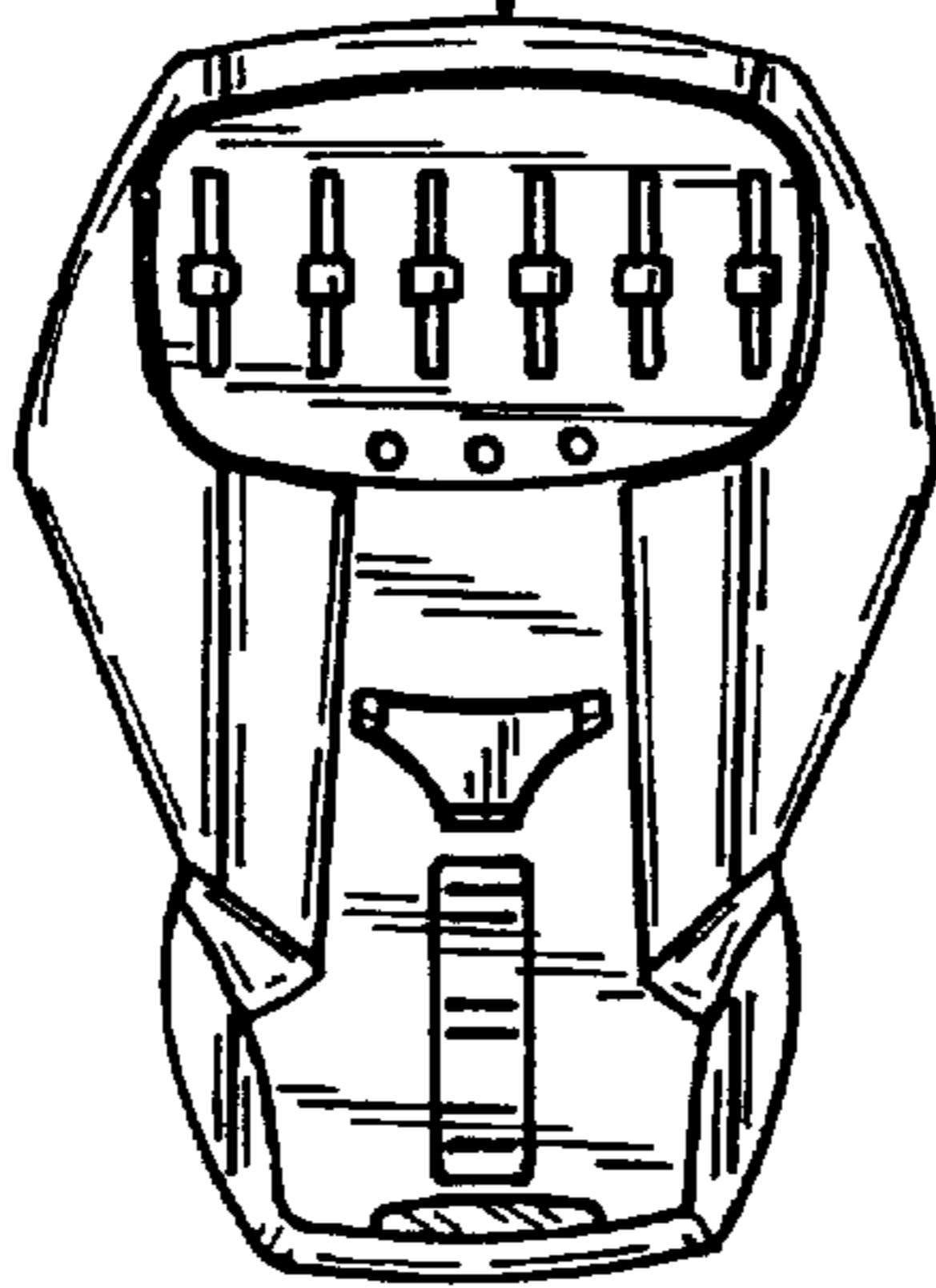
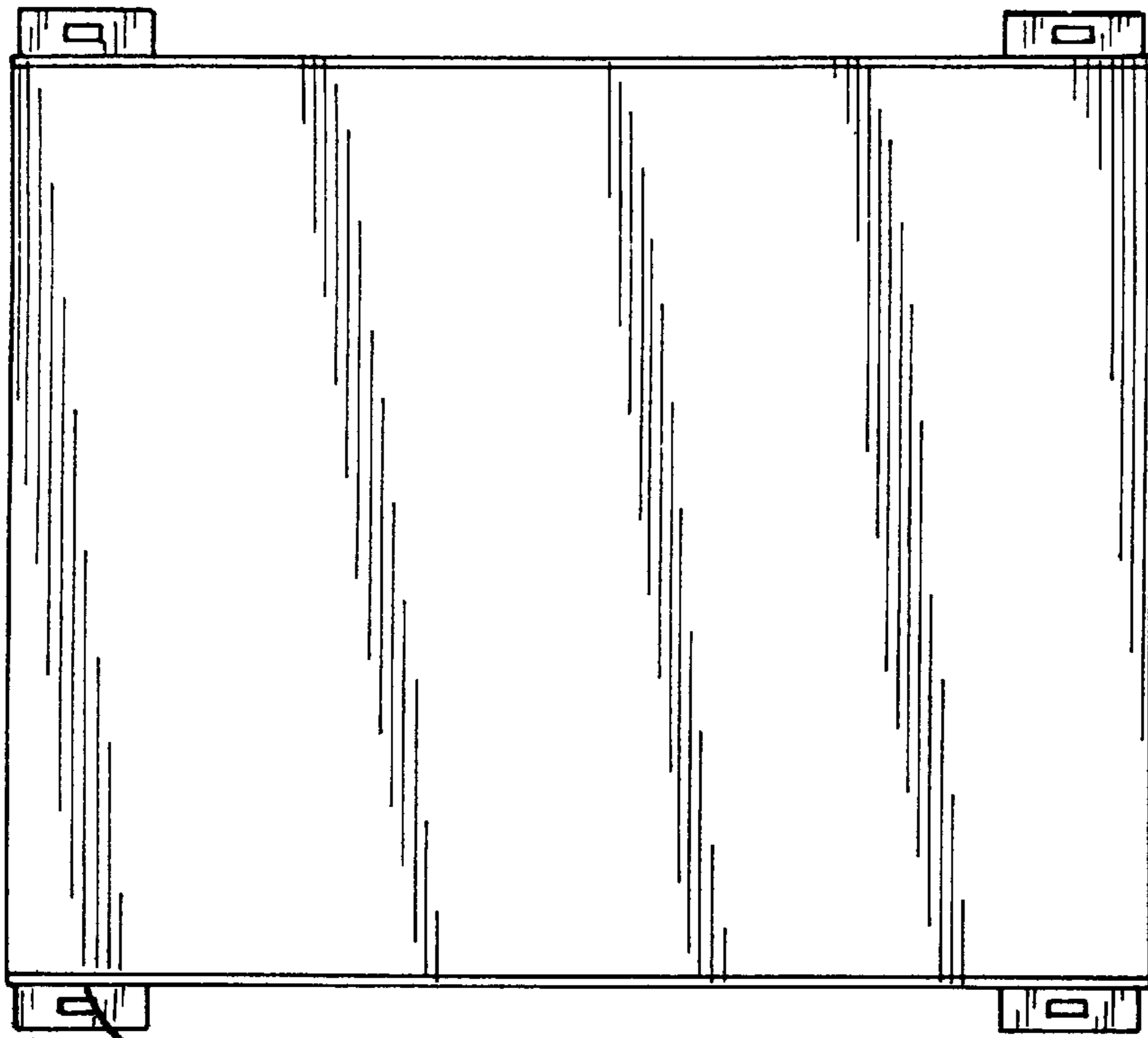


Fig. 3

Fig. 4

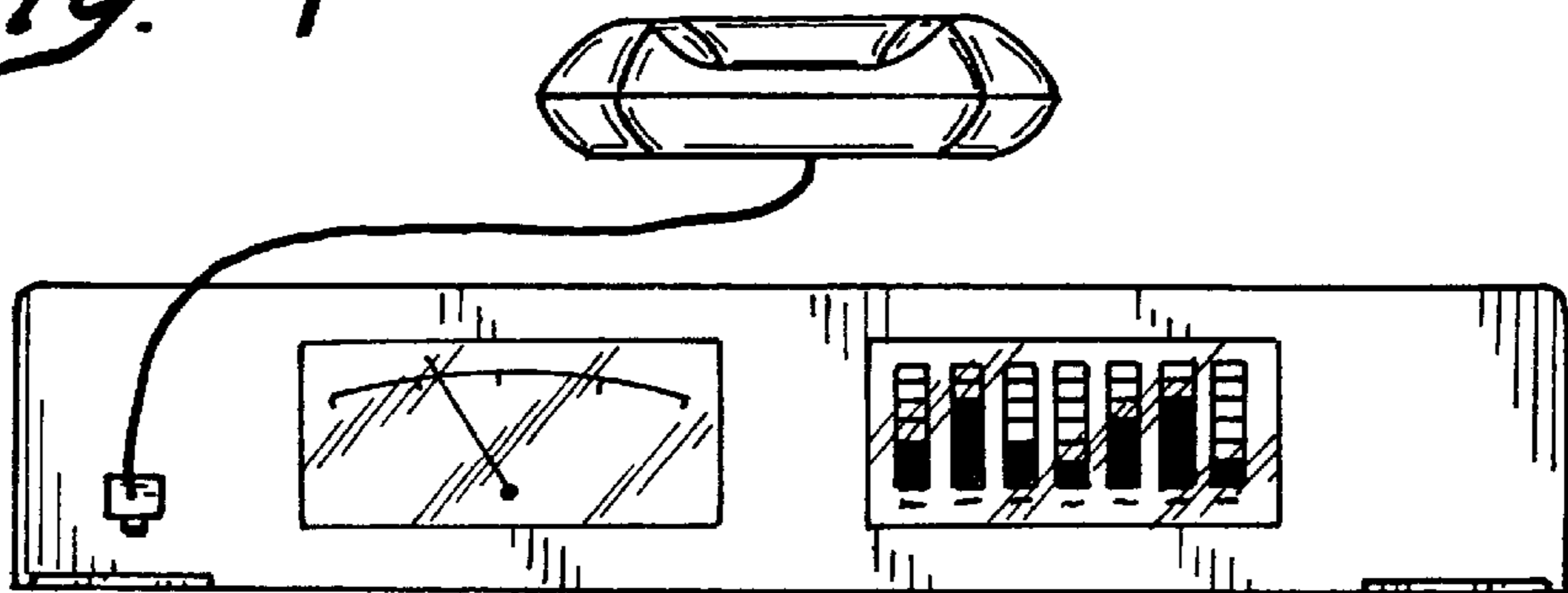


Fig. 5

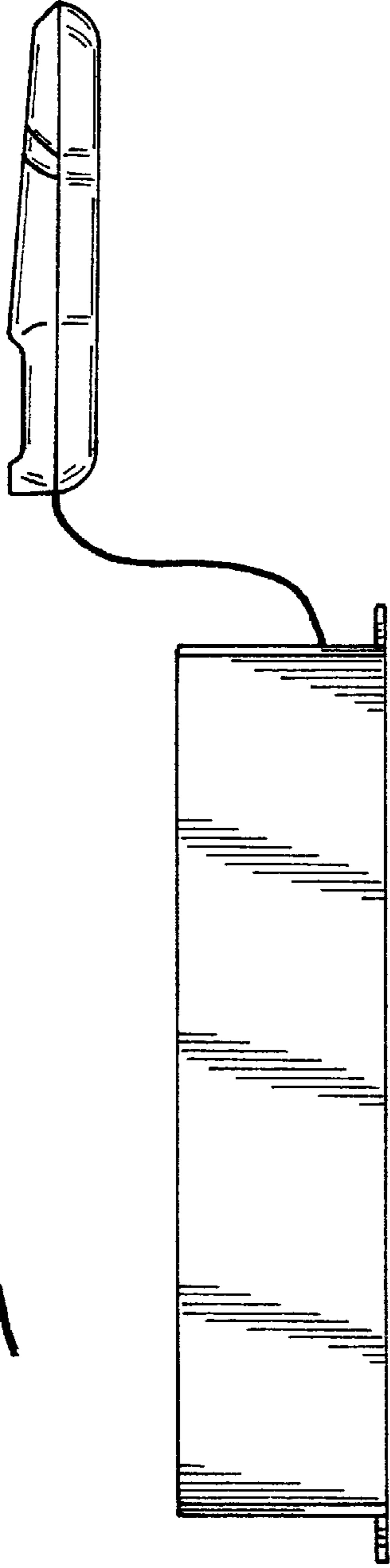
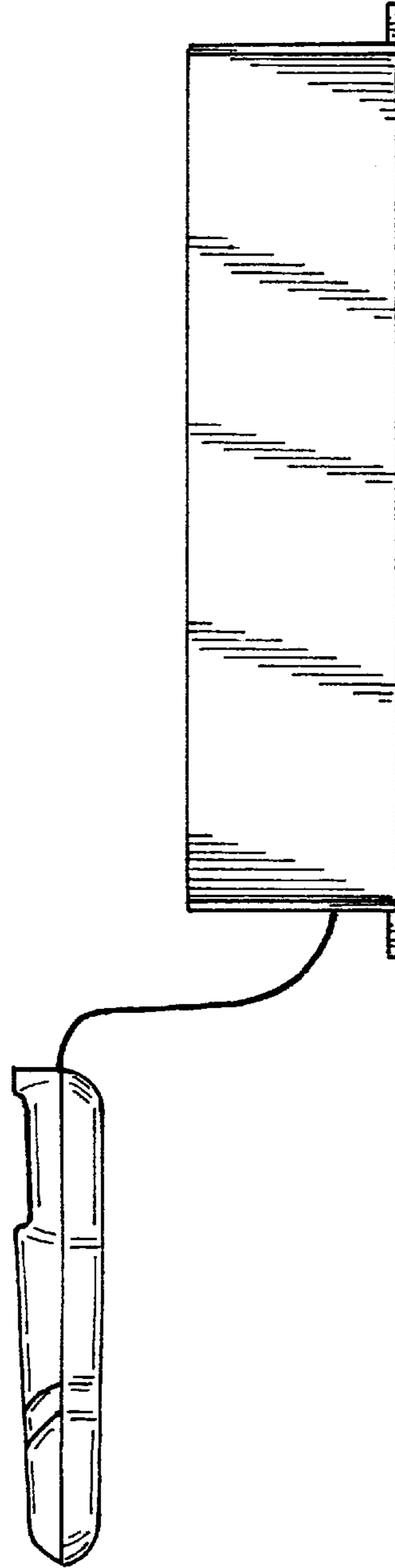


Fig. 6



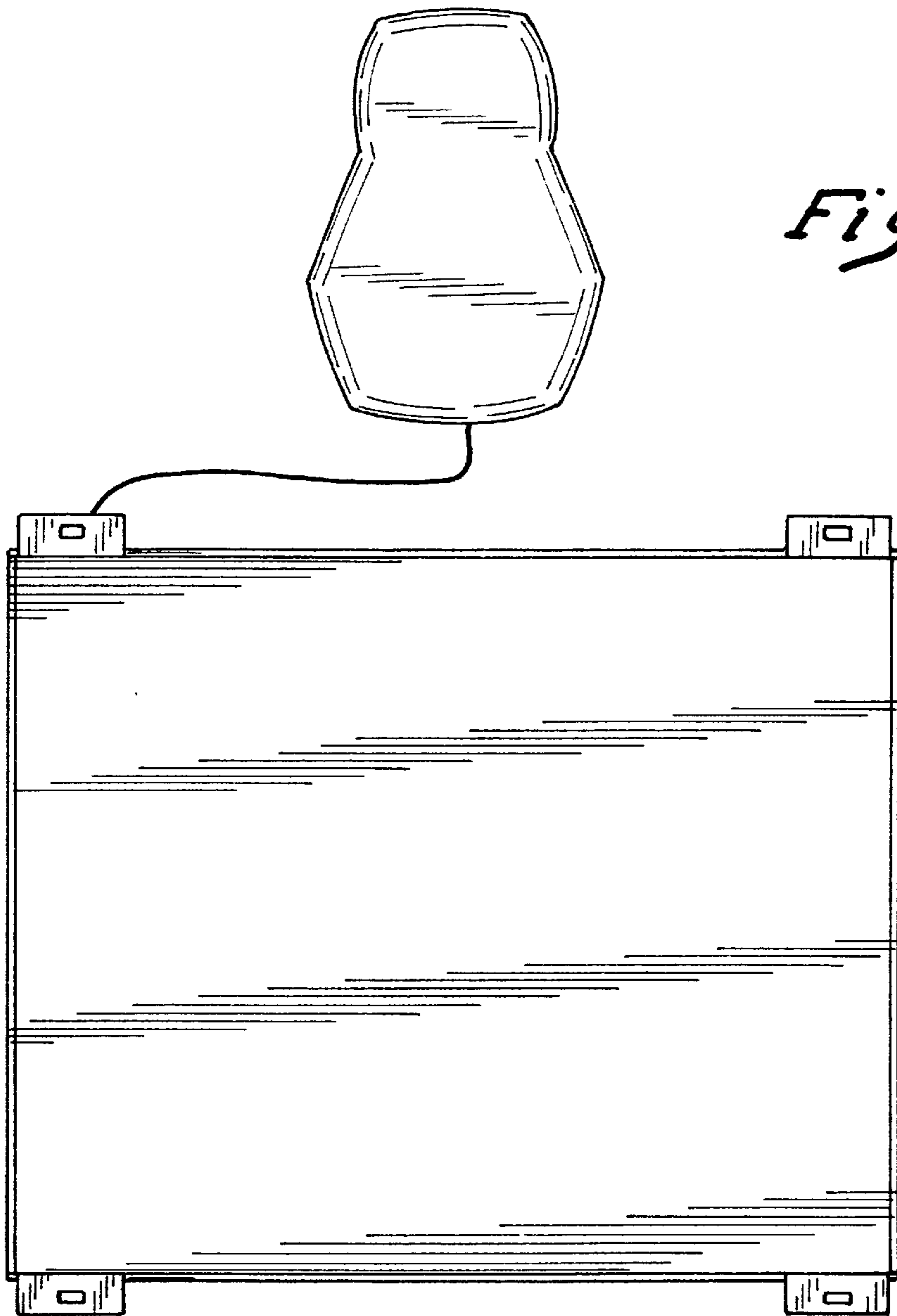


Fig. 7

Fig. 8

