



US00D421009S

# United States Patent [19]

Shintani et al.

[11] Patent Number: **Des. 421,009**

[45] Date of Patent: **\*\* Feb. 22, 2000**

[54] **COMBINED OPTICAL DISC PLAYER, SPEAKER BOXES, RADIO RECEIVER AND TAPE PLAYER**

[75] Inventors: **Eiji Shintani; Kazuki Isono**, both of Tokyo, Japan

[73] Assignee: **Sony Corporation**, Tokyo, Japan

[\*\*] Term: **14 Years**

[21] Appl. No.: **29/081,556**

[22] Filed: **Jan. 6, 1998**

[51] **LOC (7) Cl.** ..... **14-01**

[52] **U.S. Cl.** ..... **D14/168**

[58] **Field of Search** ..... D14/124, 156, D14/160-168, 188, 193-198, 204, 209-216; 181/144-145, 147-148, 150, 153, 157, 198, 199; 381/24, 88, 90, 153, 159, 186, 188; 455/344, 345, 347-351

[56] **References Cited**

**U.S. PATENT DOCUMENTS**

D. 339,339	9/1993	Pepall	.....	D14/171
D. 339,345	9/1993	Fuke	.....	D14/168
D. 350,960	9/1994	Sakata et al.	.....	D14/188 X
5,146,618	9/1992	Wenner	.....	455/345

**OTHER PUBLICATIONS**

“Sony Digital Satellite Systems” Sony pp. 220, 237-239 (1996).

“Profeel” Catalog No. 83 Sony pp. 90 (1996).

Catalog No. 87 Sony pp. 126,128 (1997).

Catalog No. 3MD pixy and Qbric pp. 126, 128.

CMT-ED1 Sony pps. 1-3 and pp.257 (1997).

*Primary Examiner*—Nanda Bondade  
*Attorney, Agent, or Firm*—Foley & Lardner

[57] **CLAIM**

The ornamental design for a combined optical disc player, speaker boxes, radio receiver and tape player, as shown and described.

**DESCRIPTION**

FIG. 1 is a perspective view of a combined optical disc player, speaker boxes, radio receiver and tape player showing our new design;

FIG. 2 is a front elevational view thereof;

FIG. 3 is a right side elevational view thereof, a left side elevational view thereof being a mirror image;

FIG. 4 is a top plan view thereof; and,

FIG. 5 is a rear elevational view thereof.

**1 Claim, 3 Drawing Sheets**

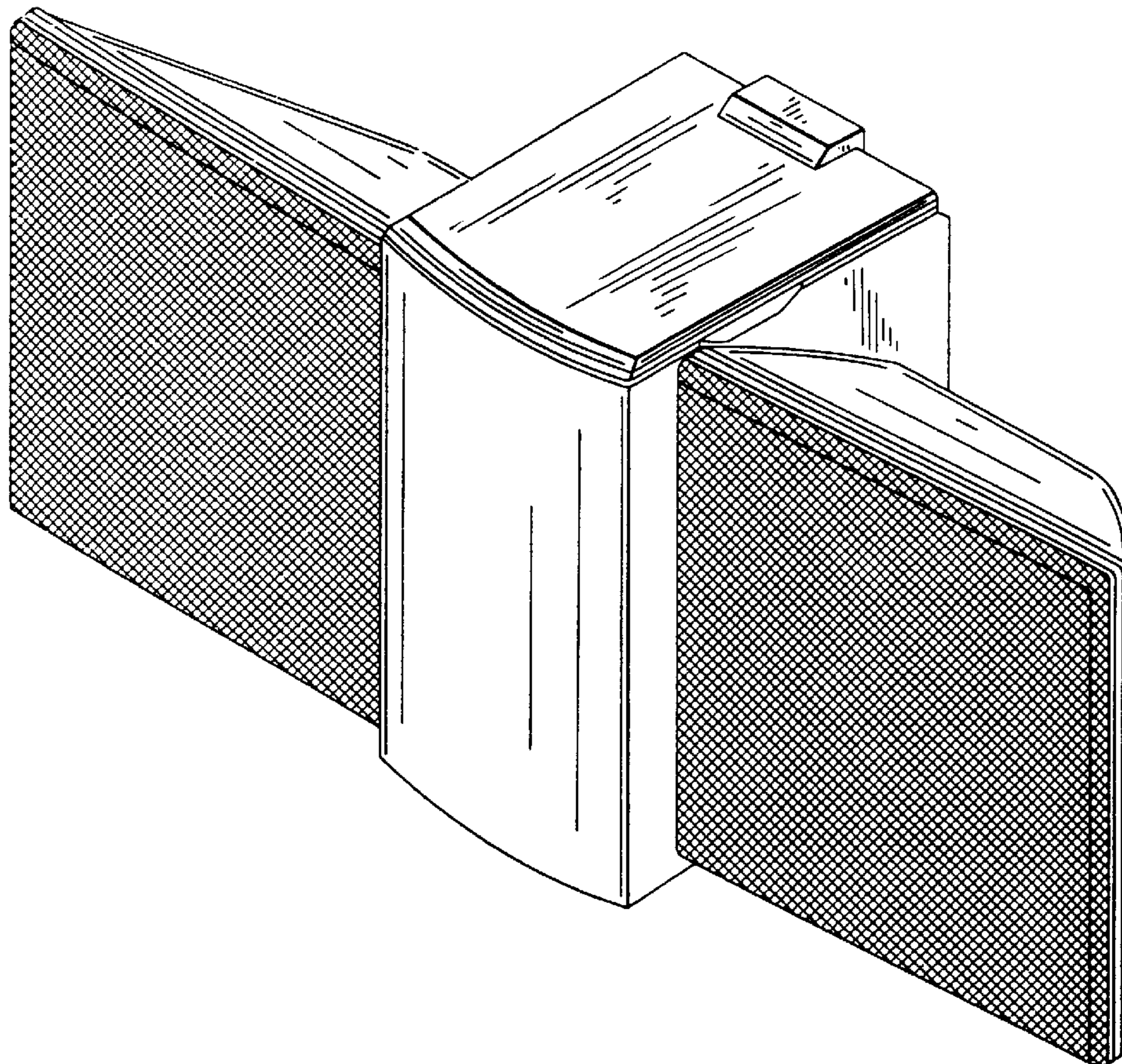


FIG. 1

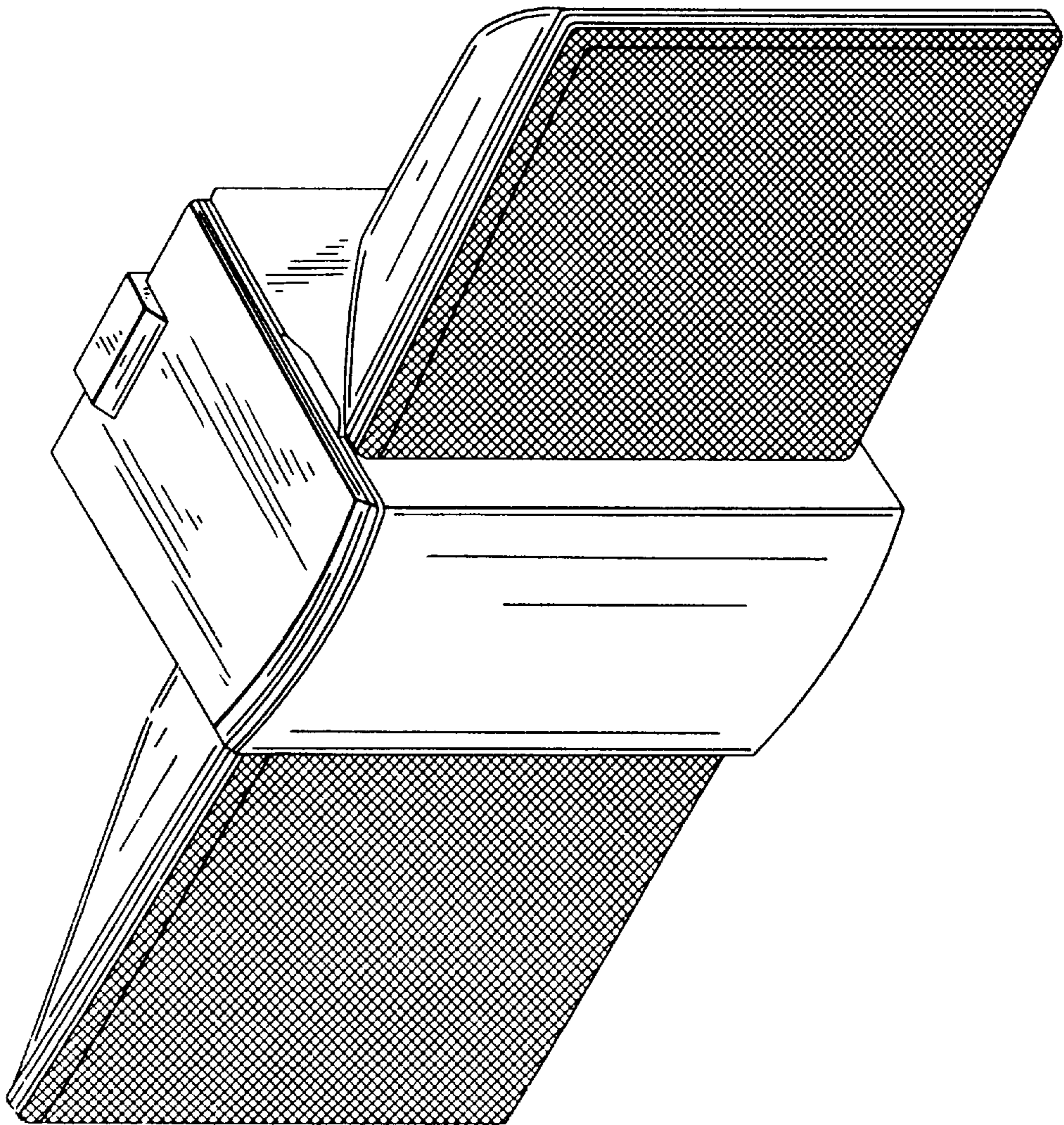


FIG. 3

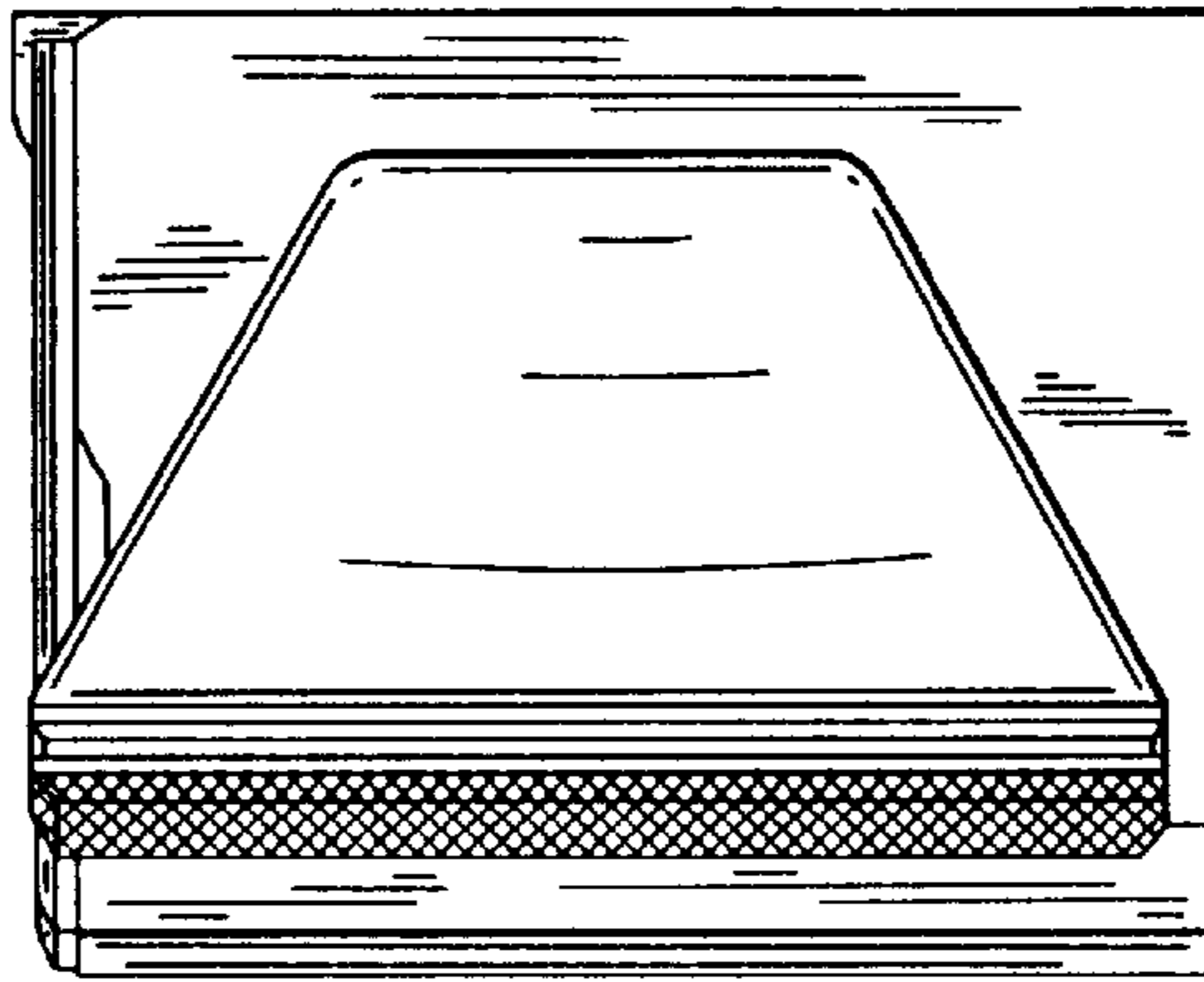


FIG. 2

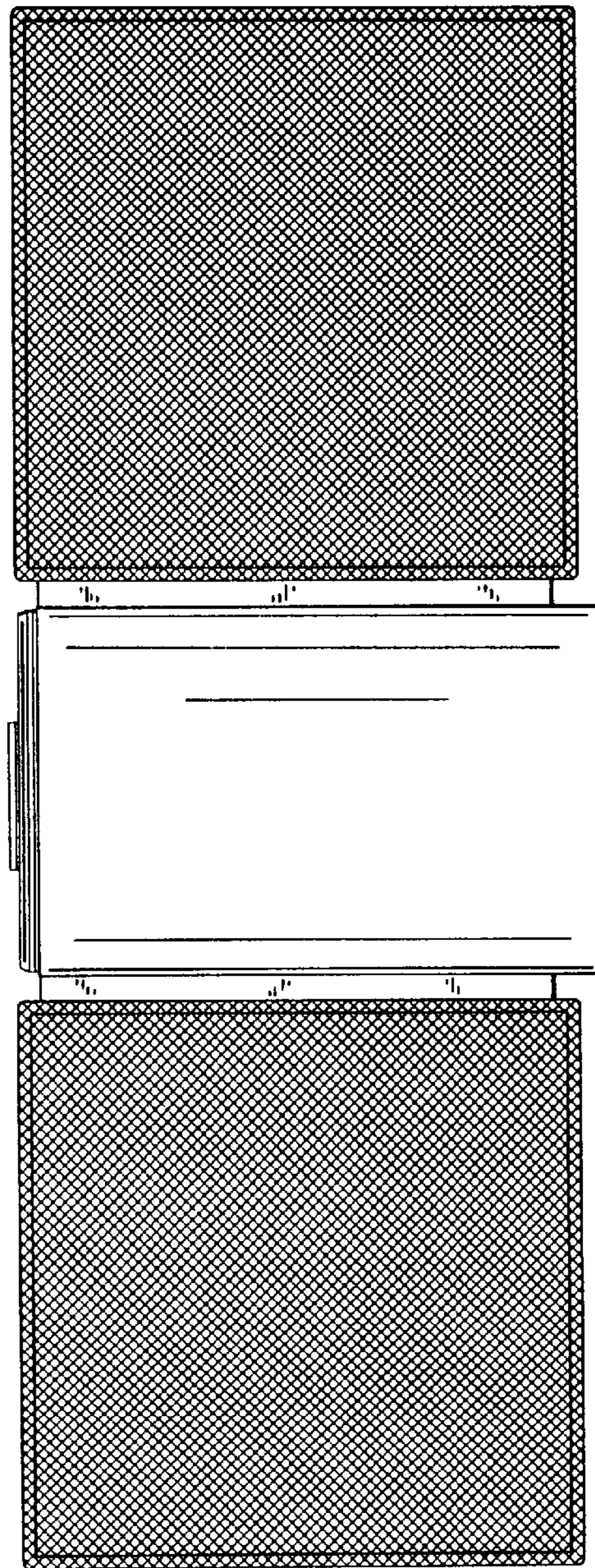


FIG. 4

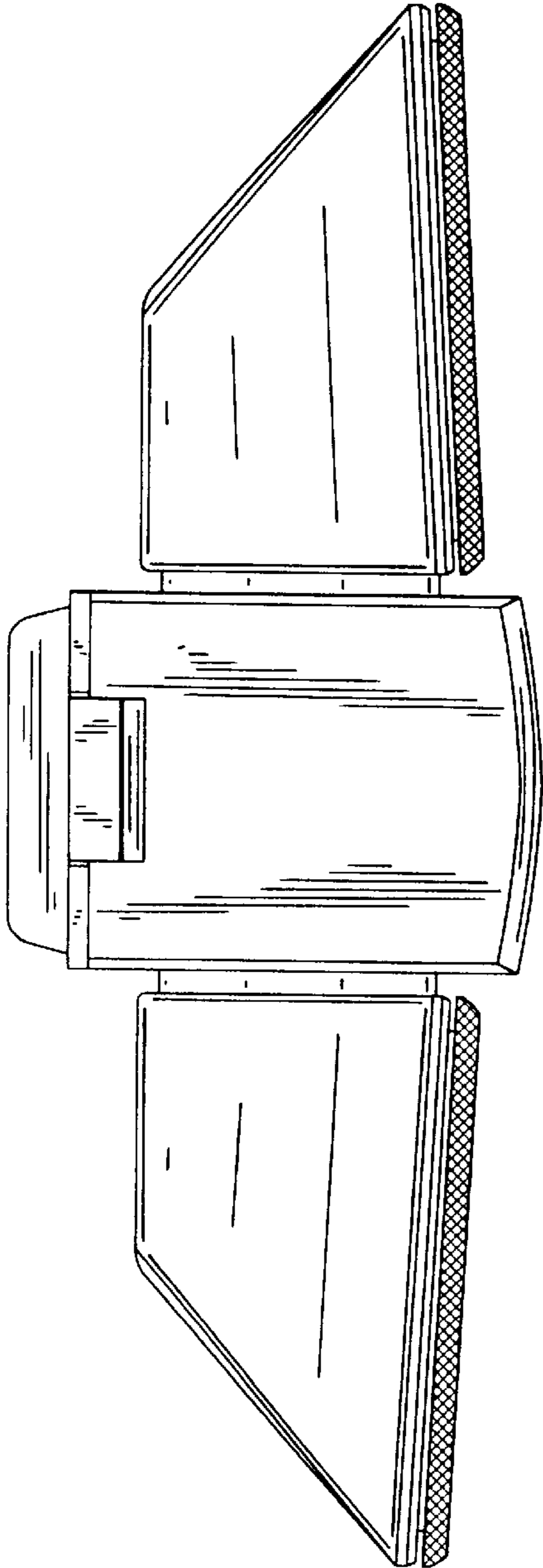


FIG. 5

