



US00D421007S

# United States Patent [19] Nagai

[11] Patent Number: **Des. 421,007**

[45] Date of Patent: **\*\* Feb. 22, 2000**

[54] **COMBINED DISC PLAYER AND RECORDER**

[75] Inventor: **Atsuo Nagai**, Tokyo, Japan

[73] Assignee: **Sony Corporation**, Tokyo, Japan

[\*\*] Term: **14 Years**

[21] Appl. No.: **29/098,365**

[22] Filed: **Dec. 28, 1998**

[51] **LOC (7) Cl.** ..... **14-01**

[52] **U.S. Cl.** ..... **D14/156; D14/167**

[58] **Field of Search** ..... D14/135, 136,  
D14/156, 157, 160-162, 167-168, 188,  
197-198; 369/75.1, 75.2, 77.1, 77.2

[56] **References Cited**

**U.S. PATENT DOCUMENTS**

D. 280,503	9/1985	Onozaki et al.	.....	D14/156
D. 308,868	6/1990	Kohno	.....	D14/156
D. 357,015	4/1995	Ikenaga	.....	D14/156
D. 379,625	6/1997	Uchiyama	.....	D14/156
D. 385,278	10/1997	Sato	.....	D14/168

**OTHER PUBLICATIONS**

Catalog, "82," pp. 166 & 168, Sony (Mar. 1996).  
Catalog, "83," pp. 166, Sony (Jul. 1996).  
Catalog, "89," pp. 172 & 173, Sony (Jul. 1998).

*Primary Examiner*—Nanda Bondade  
*Attorney, Agent, or Firm*—Foley & Lardner

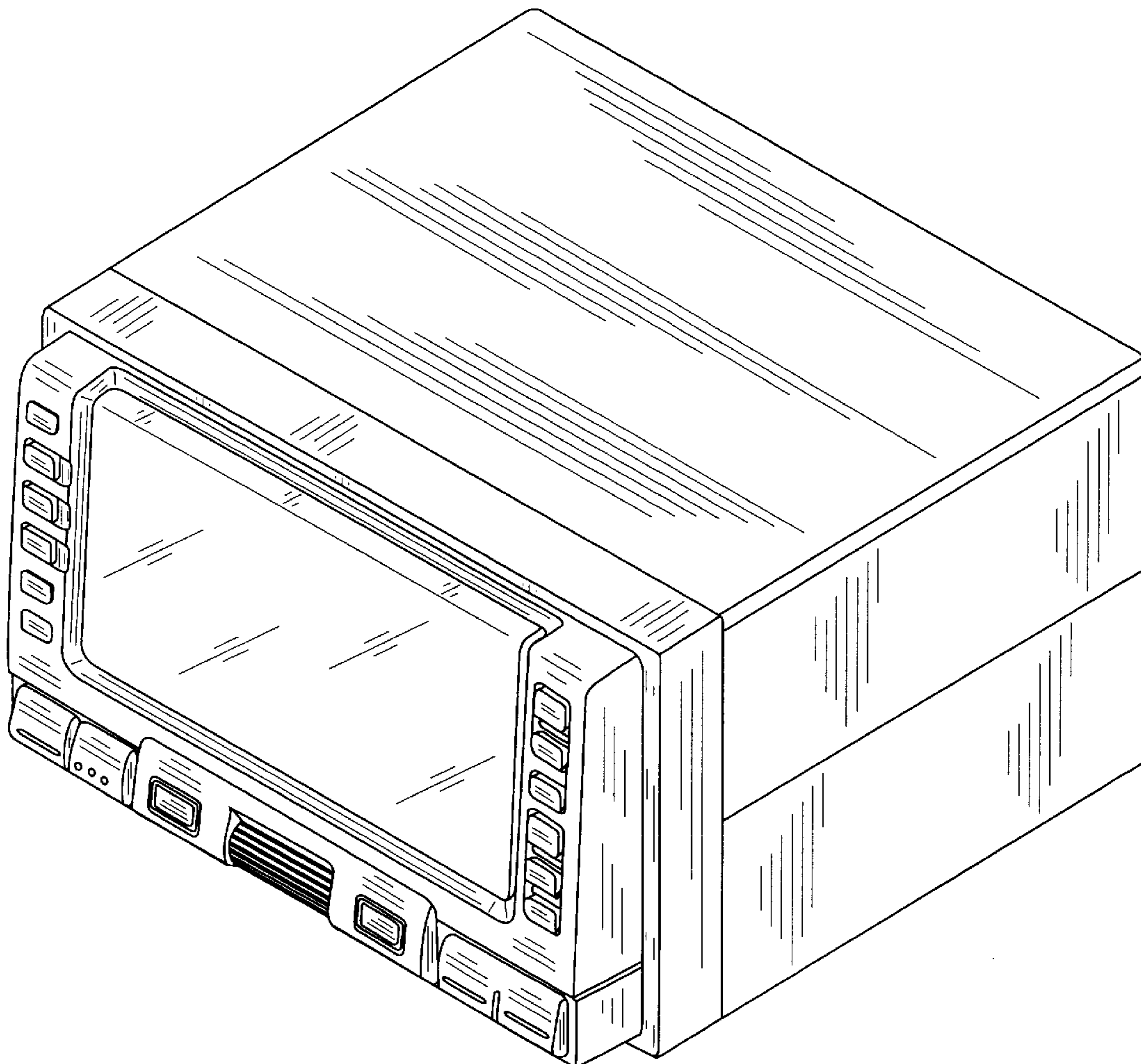
[57] **CLAIM**

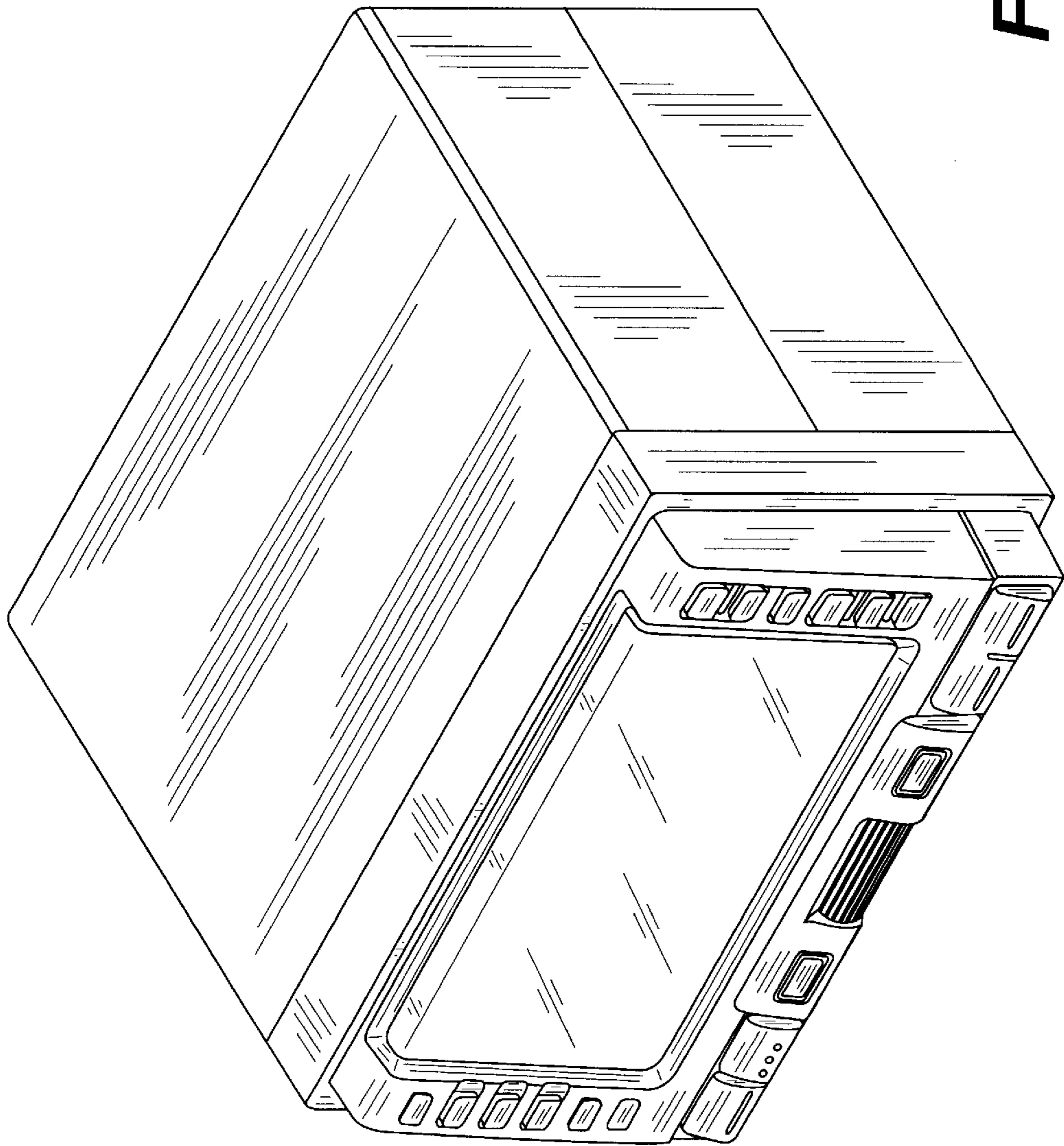
The ornamental design for a combined disc player and recorder, as shown and described.

**DESCRIPTION**

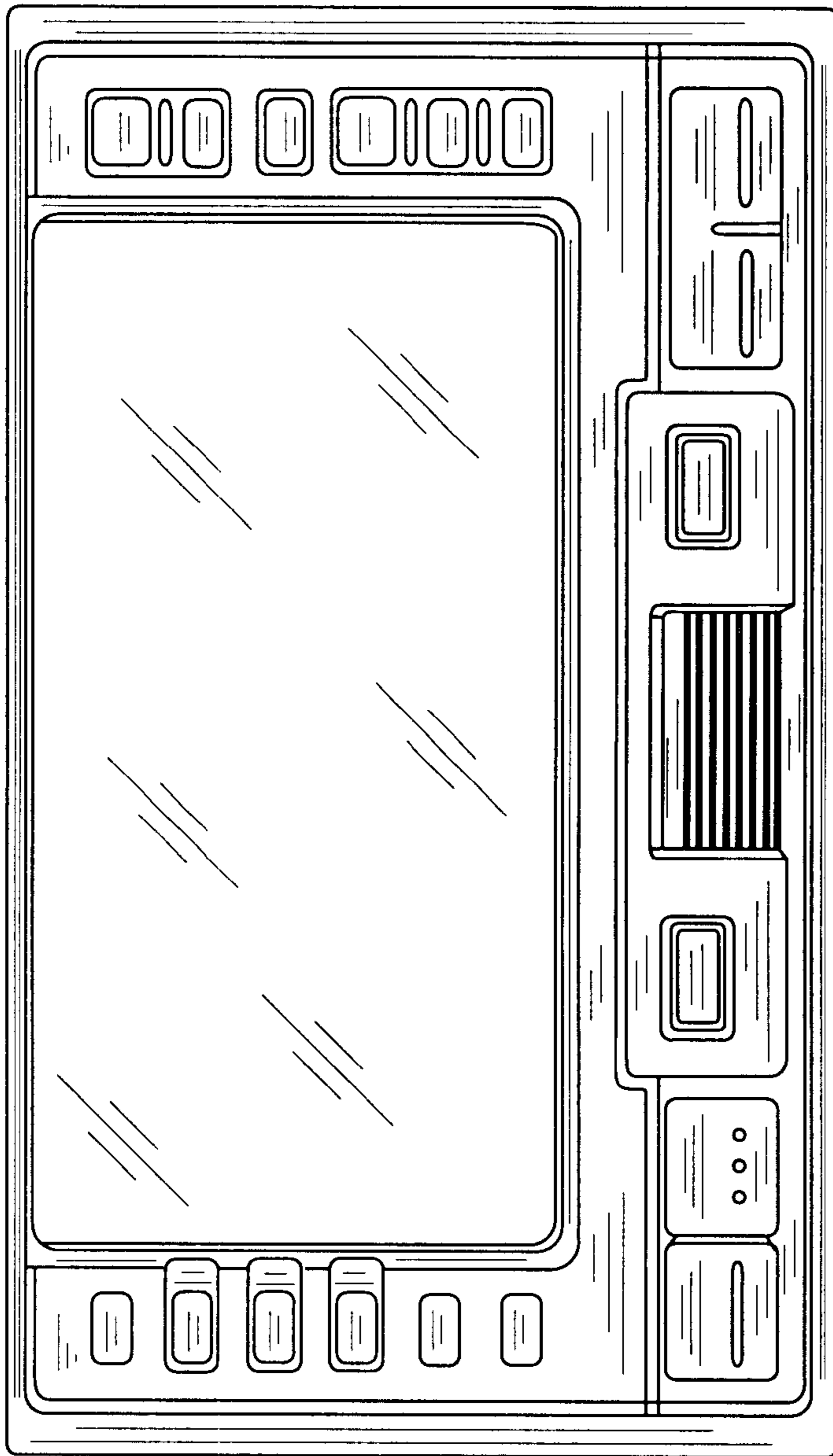
FIG. 1 is a perspective view of a combined disc player and recorder showing my new design;  
FIG. 2 is a front elevational view thereof;  
FIG. 3 is a rear elevational view thereof;  
FIG. 4 is a top plan view thereof;  
FIG. 5 is a bottom plan view thereof;  
FIG. 6 is a left side elevational view thereof; and,  
FIG. 7 is a right side elevational view thereof.

**1 Claim, 7 Drawing Sheets**

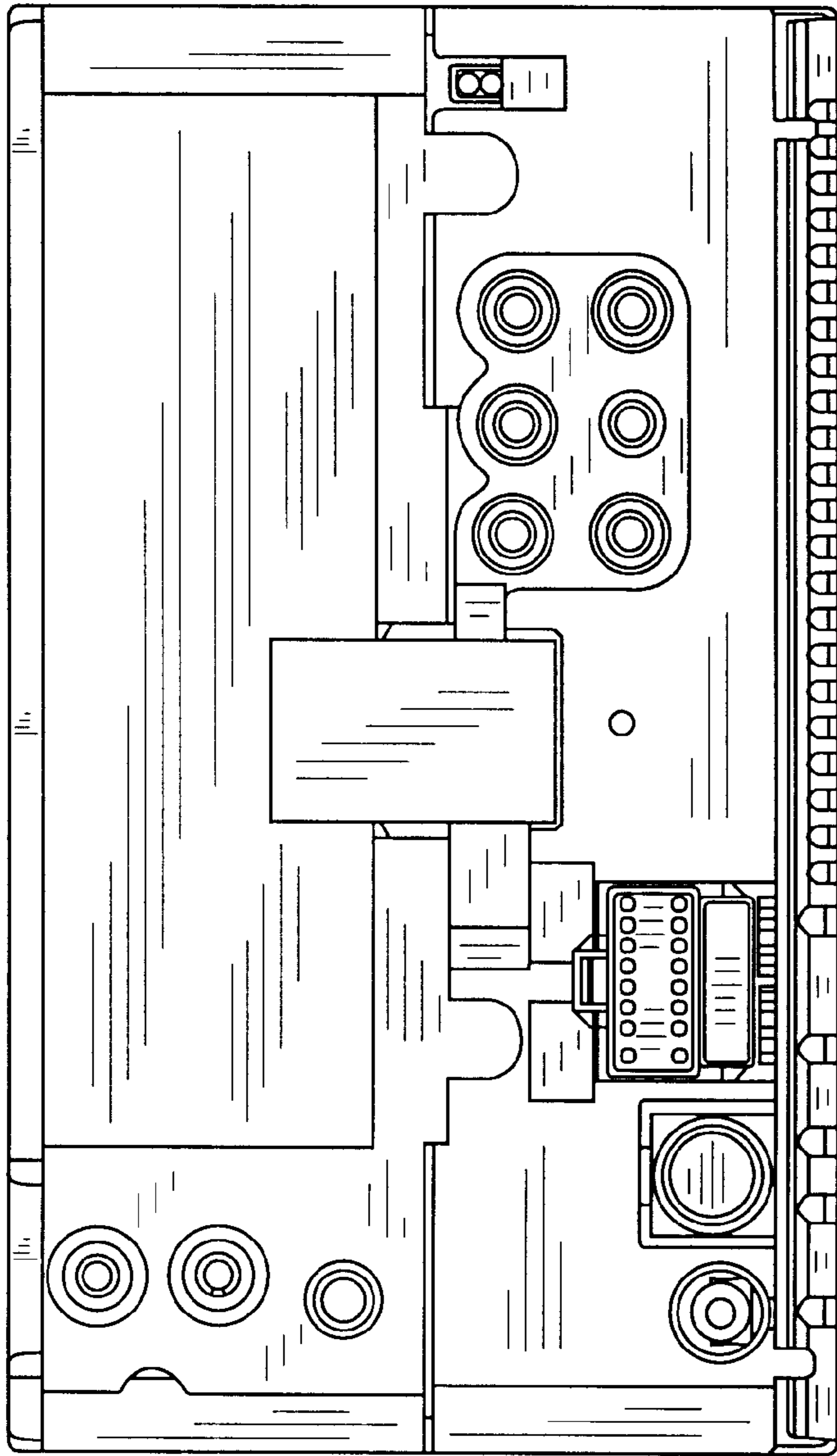




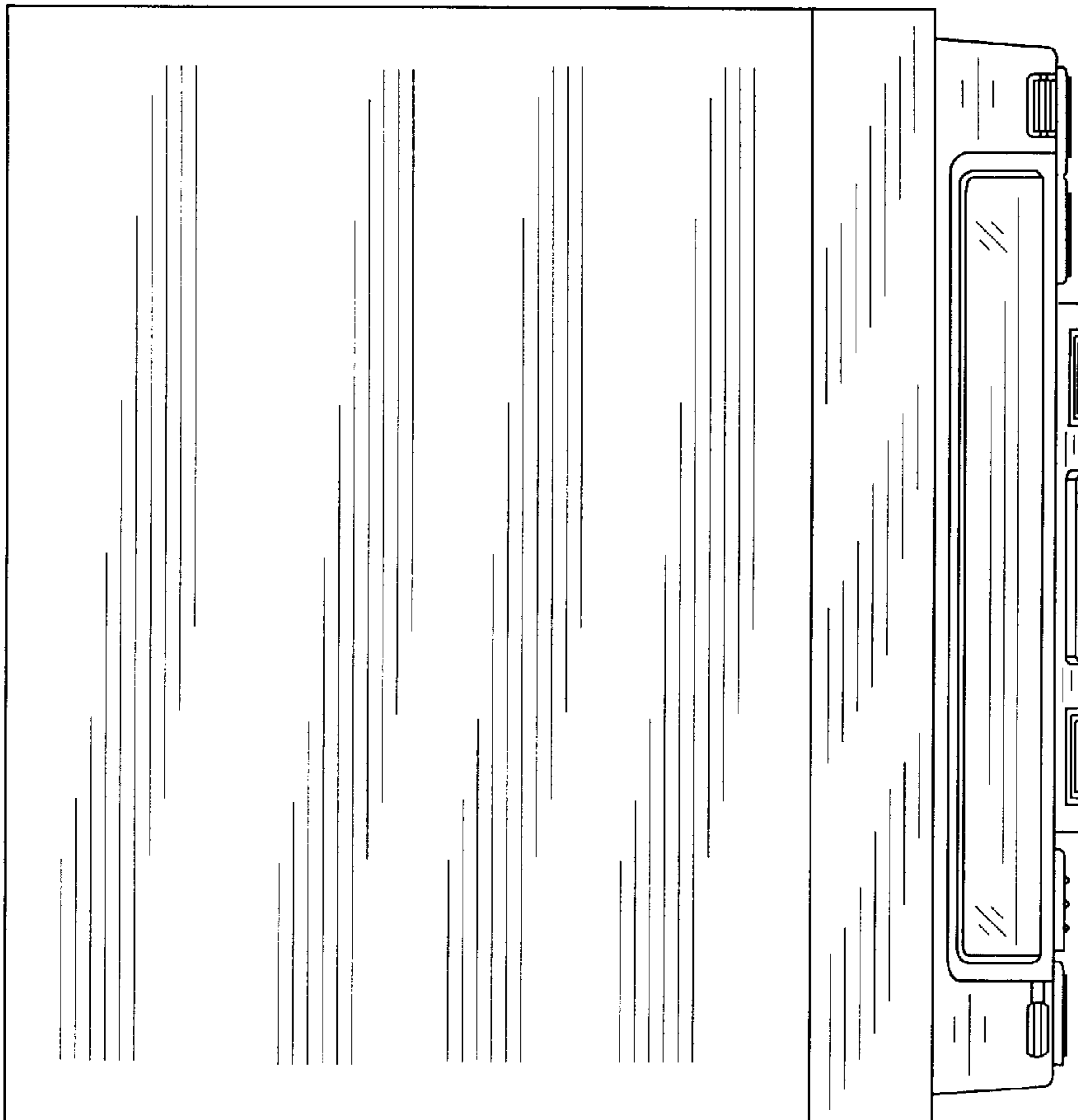
**FIG. 1**



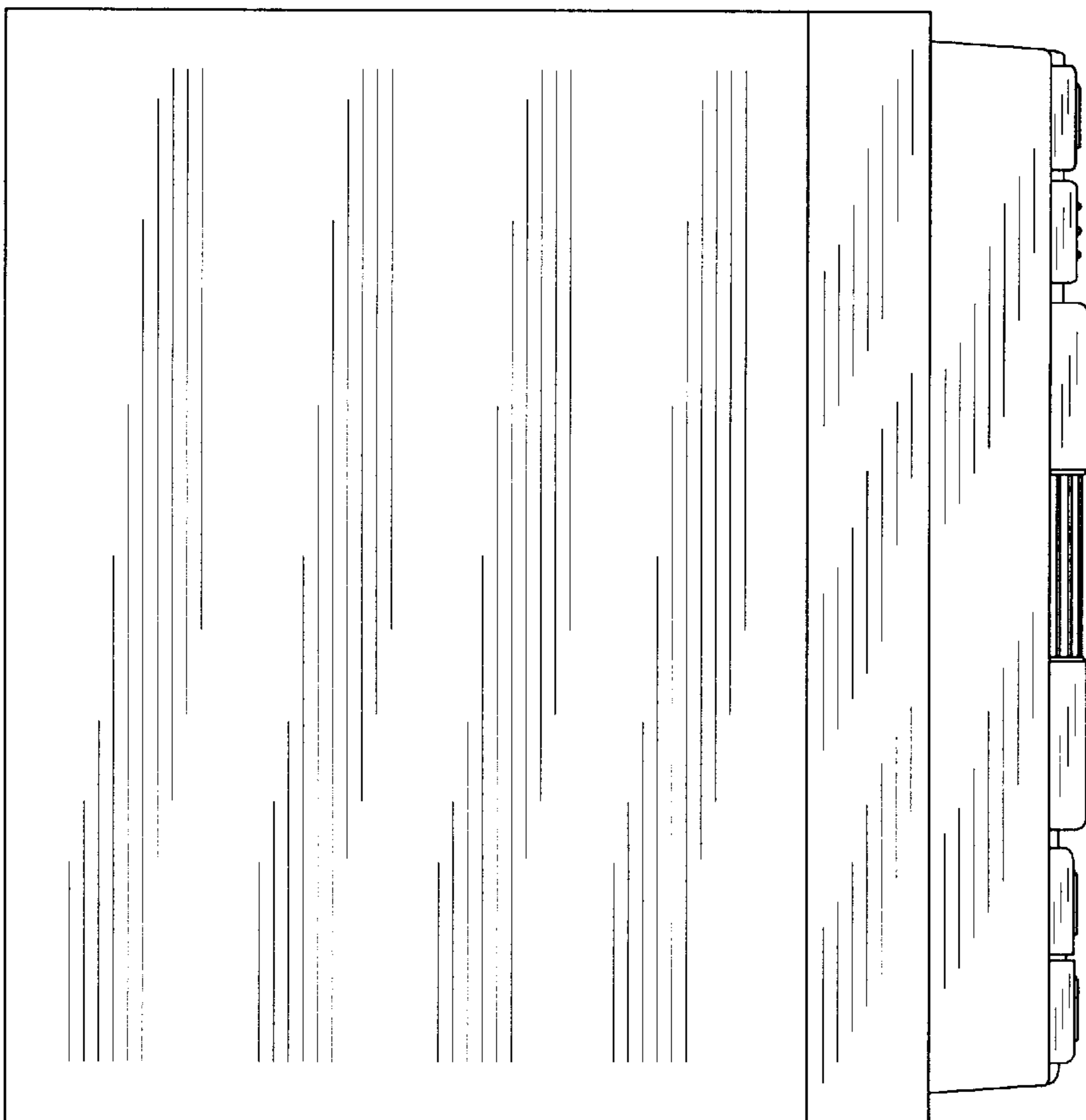
**FIG. 2**



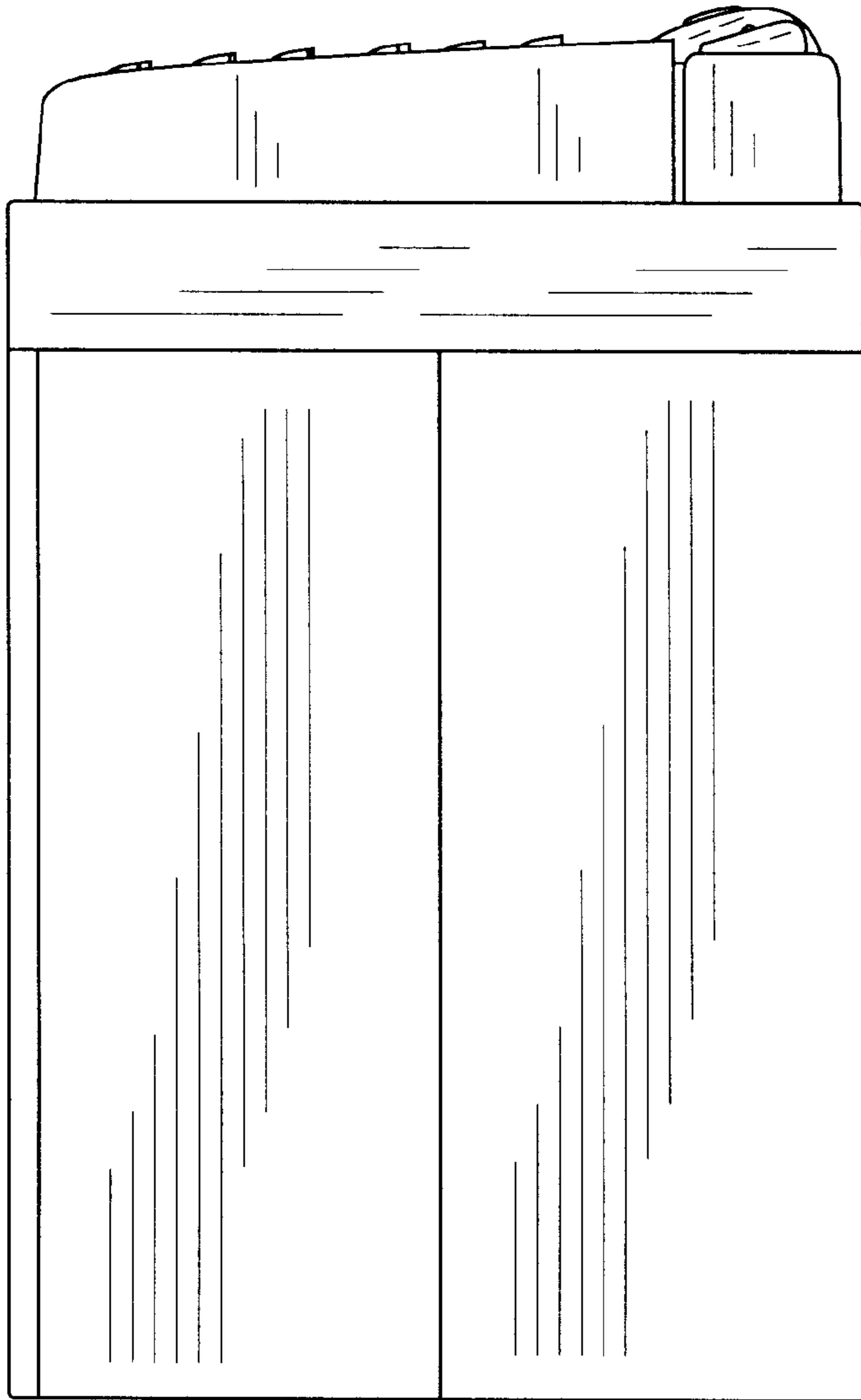
**FIG. 3**



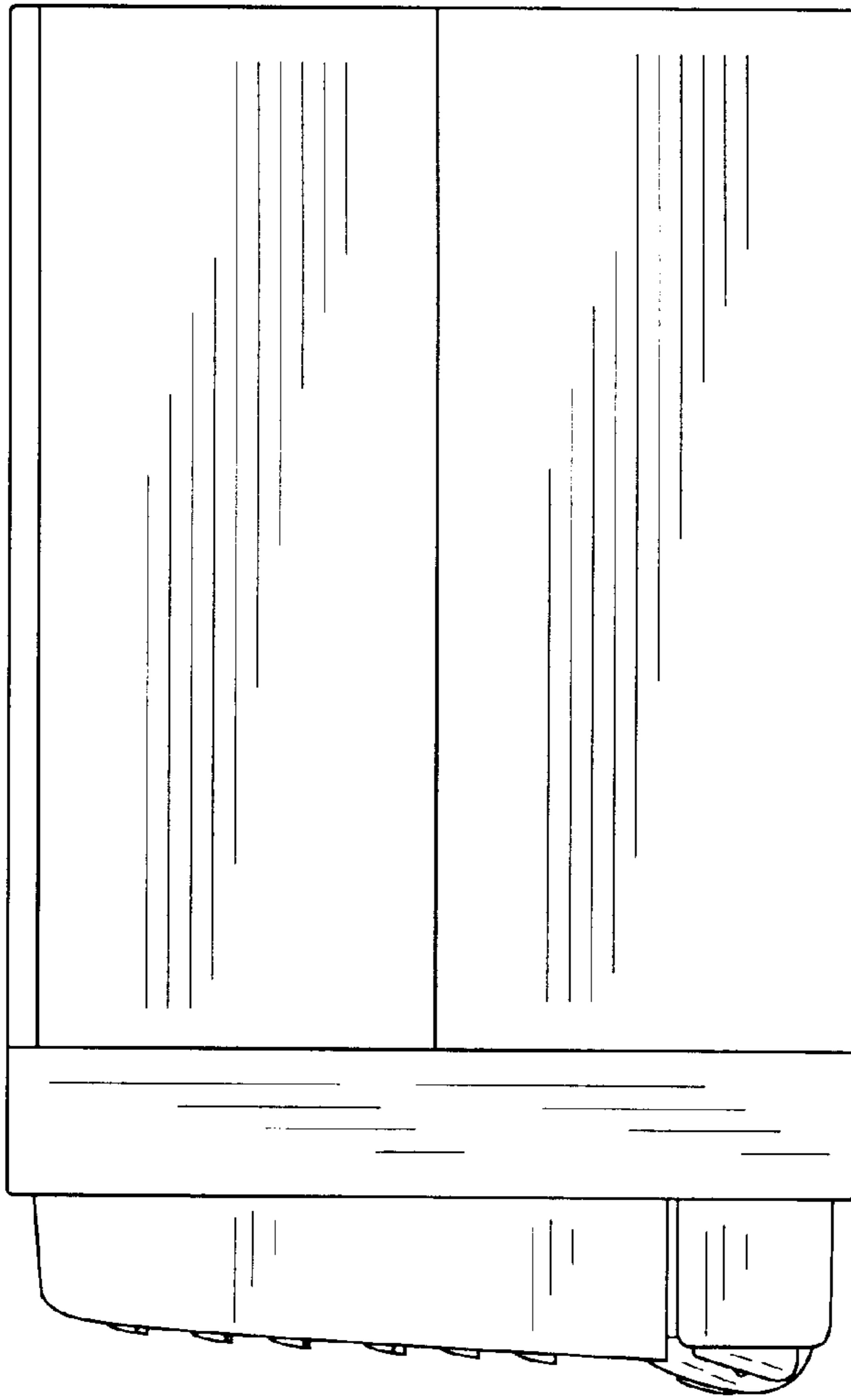
**FIG. 4**



**FIG. 5**



**FIG. 6**



**FIG. 7**