



US00D420990S

United States Patent [19] Lin

[11] **Patent Number: Des. 420,990**

[45] **Date of Patent: ** Feb. 22, 2000**

[54] **INTERFACE CARD FOR VIDEO GAMES**

[75] Inventor: **Ju Pai Lin**, Taipei, Taiwan

[73] Assignee: **Zi San Electronics Corp.**, Taipei, Taiwan

[**] Term: **14 Years**

[21] Appl. No.: **29/101,781**

[22] Filed: **Mar. 11, 1999**

[51] **LOC (7) Cl.** **14-02**

[52] **U.S. Cl.** **D14/114**

[58] **Field of Search** D14/114; D13/146-7,
D13/199; 364/708.1, 710.12; 361/686, 737;
439/131, 399, 200; 463/43-47

[56] **References Cited**

U.S. PATENT DOCUMENTS

- D. 308,197 5/1990 Inoue D14/114
- D. 317,913 7/1991 Inoue D14/114
- D. 331,572 12/1992 Roe D14/107

- D. 332,257 1/1993 Darling et al. D14/114
- D. 336,746 6/1993 Tse D14/114
- D. 340,047 10/1993 Tseng D14/121
- D. 348,874 7/1994 Pemberton D14/114
- D. 369,352 4/1996 Iwakami D14/114
- D. 411,523 6/1999 Talesfore D14/114

Primary Examiner—M. H. Tung
Attorney, Agent, or Firm—Charles E. Baxley, Esq.

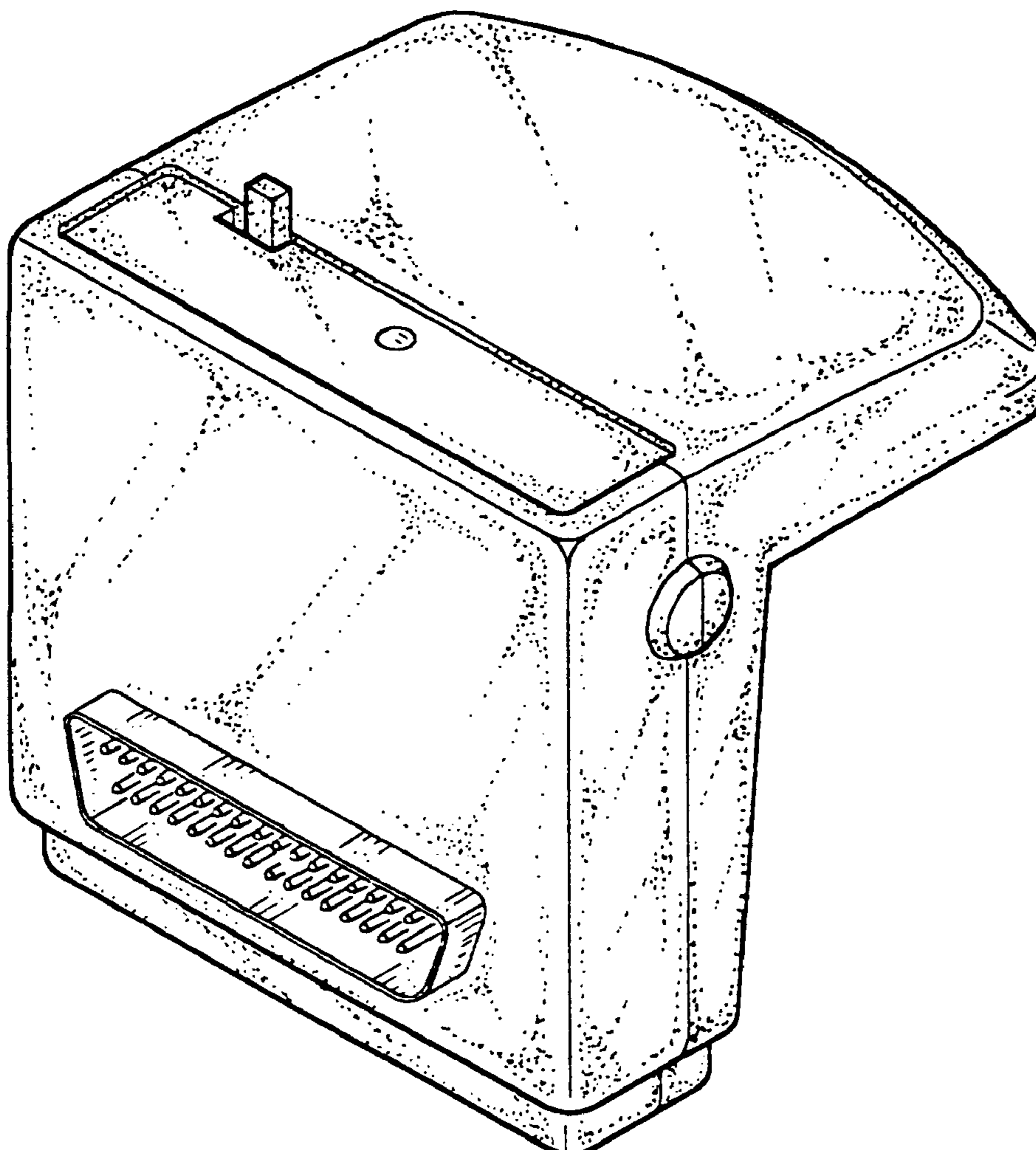
[57] **CLAIM**

The ornamental design for an interface card for video games, as shown and described.

DESCRIPTION

FIG. 1 is a perspective view of an interface card for video games showing my new design;
FIG. 2 is a front elevational view thereof;
FIG. 3 is a rear elevational view thereof;
FIG. 4 is a top plan view thereof;
FIG. 5 is a bottom plan view thereof;
FIG. 6 is a left side elevational view thereof; and,
FIG. 7 is a right side elevational view thereof.

1 Claim, 4 Drawing Sheets



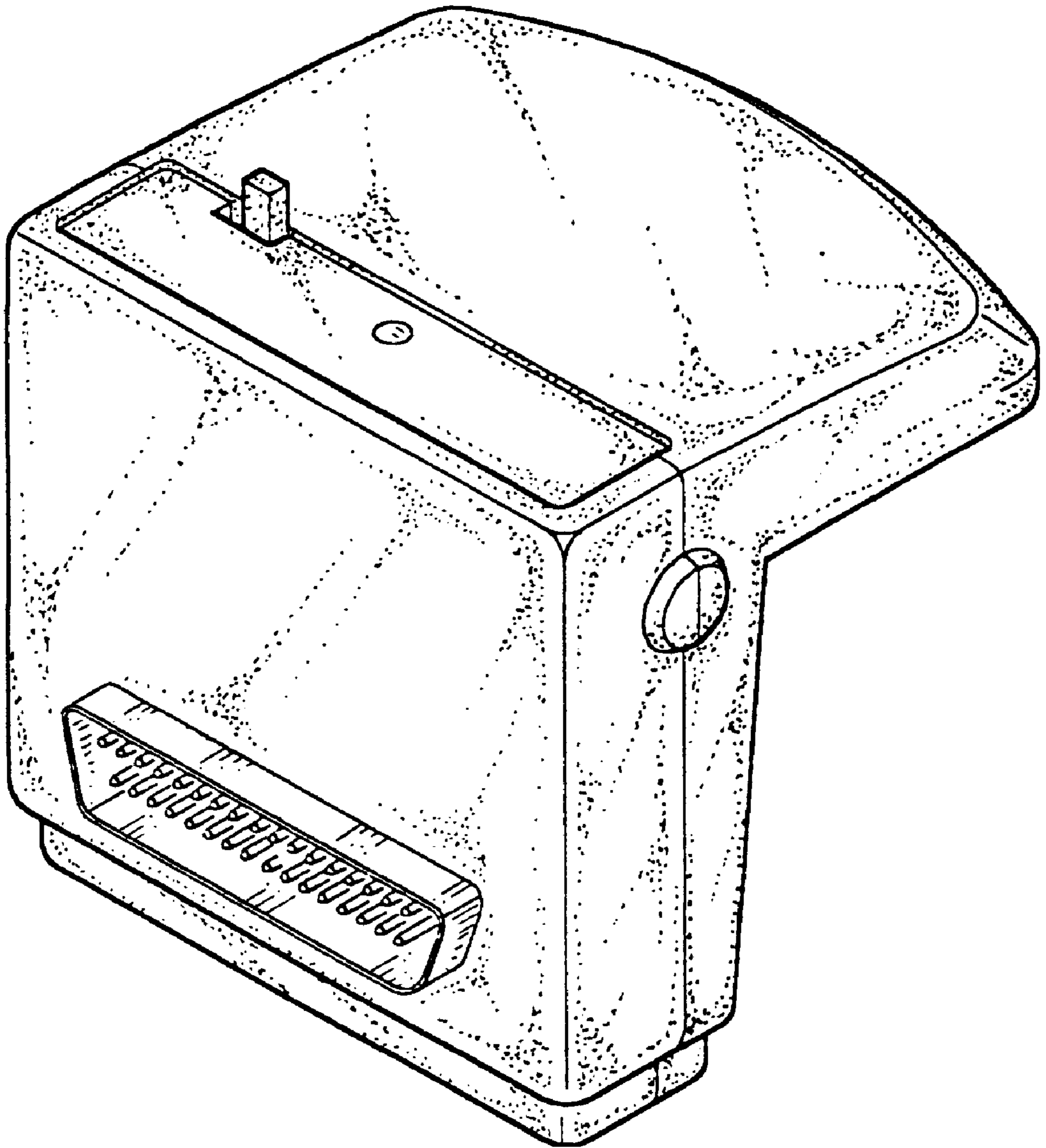


FIG. 1

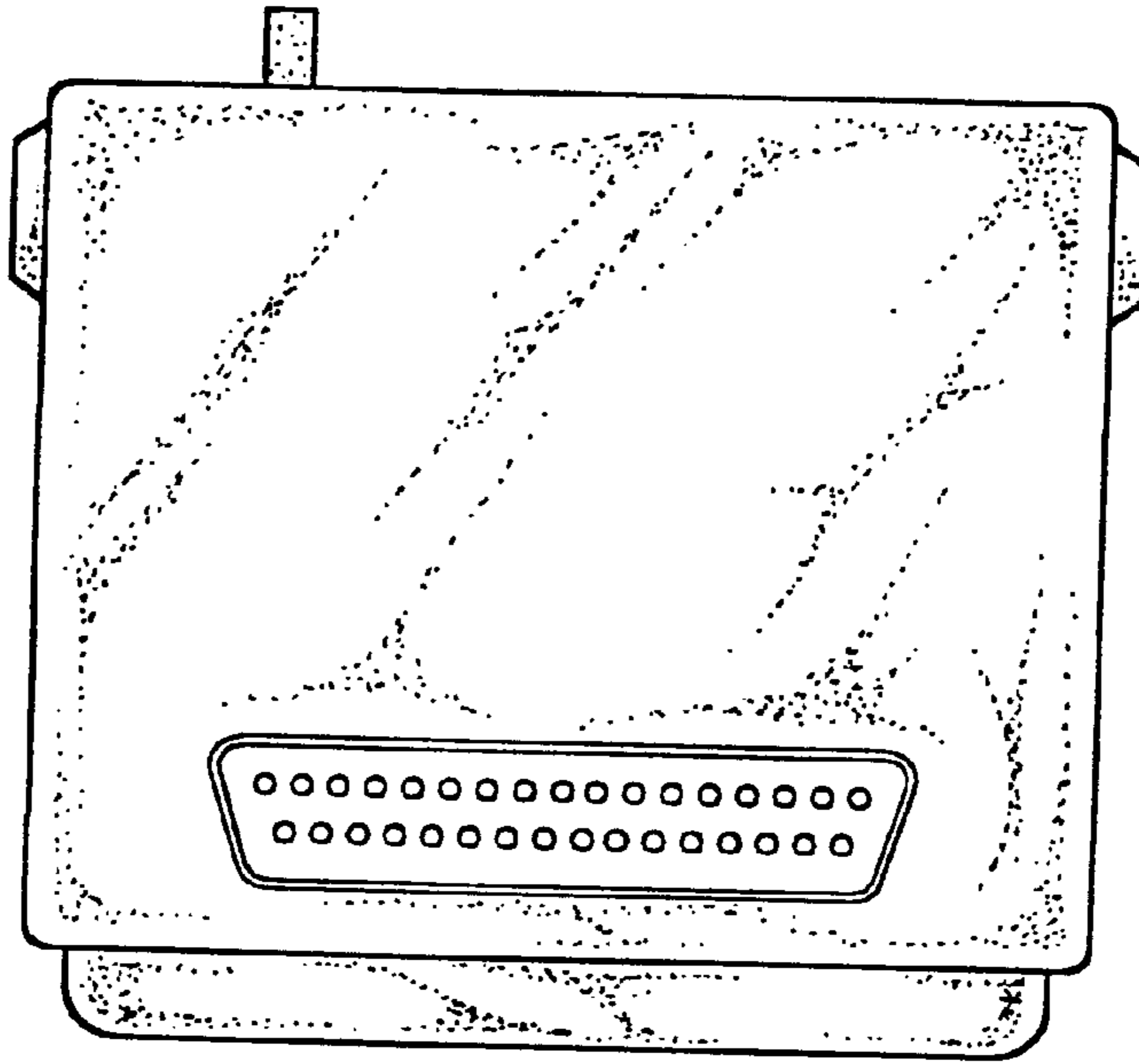


FIG. 2

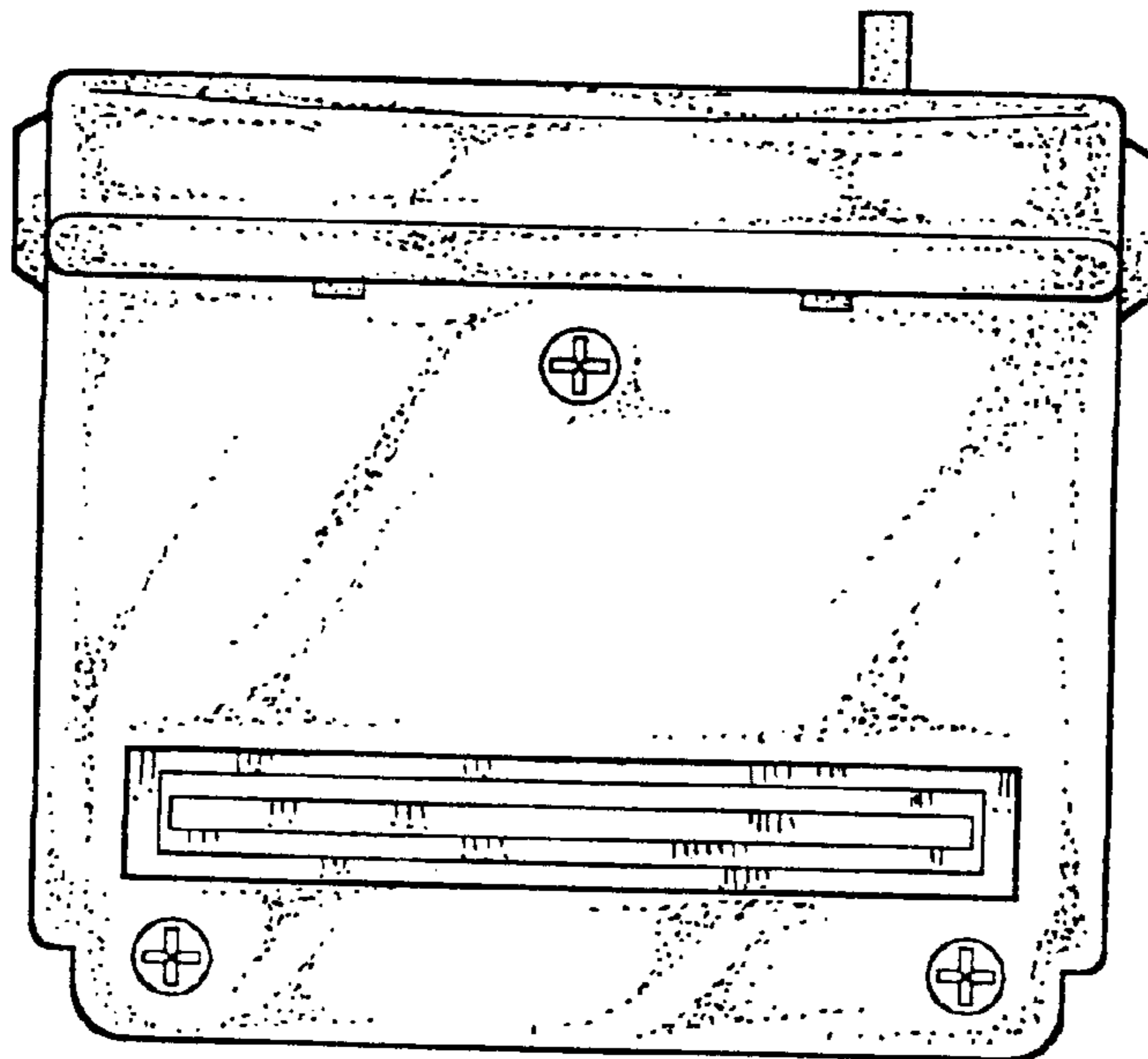


FIG. 3

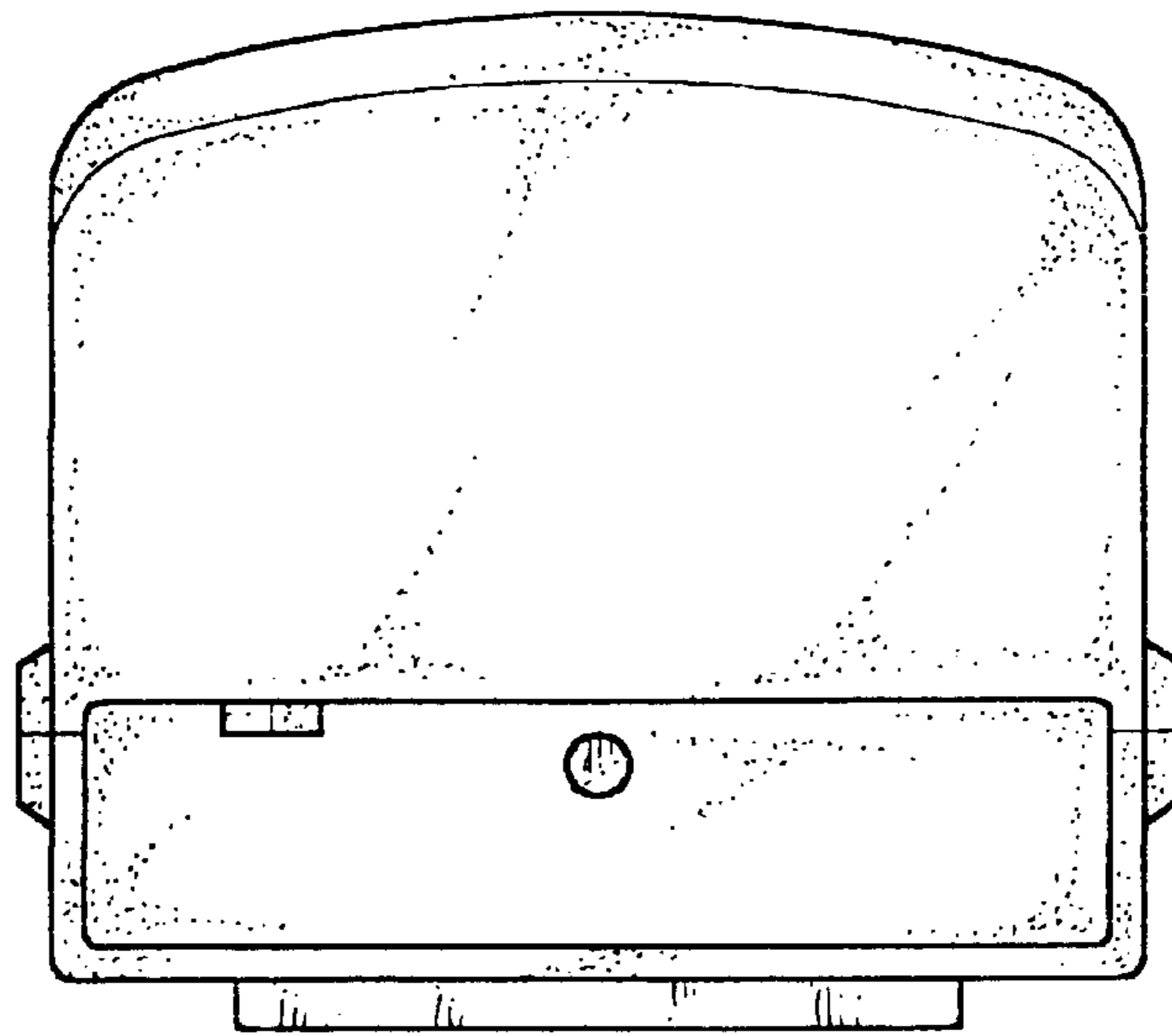


FIG. 4

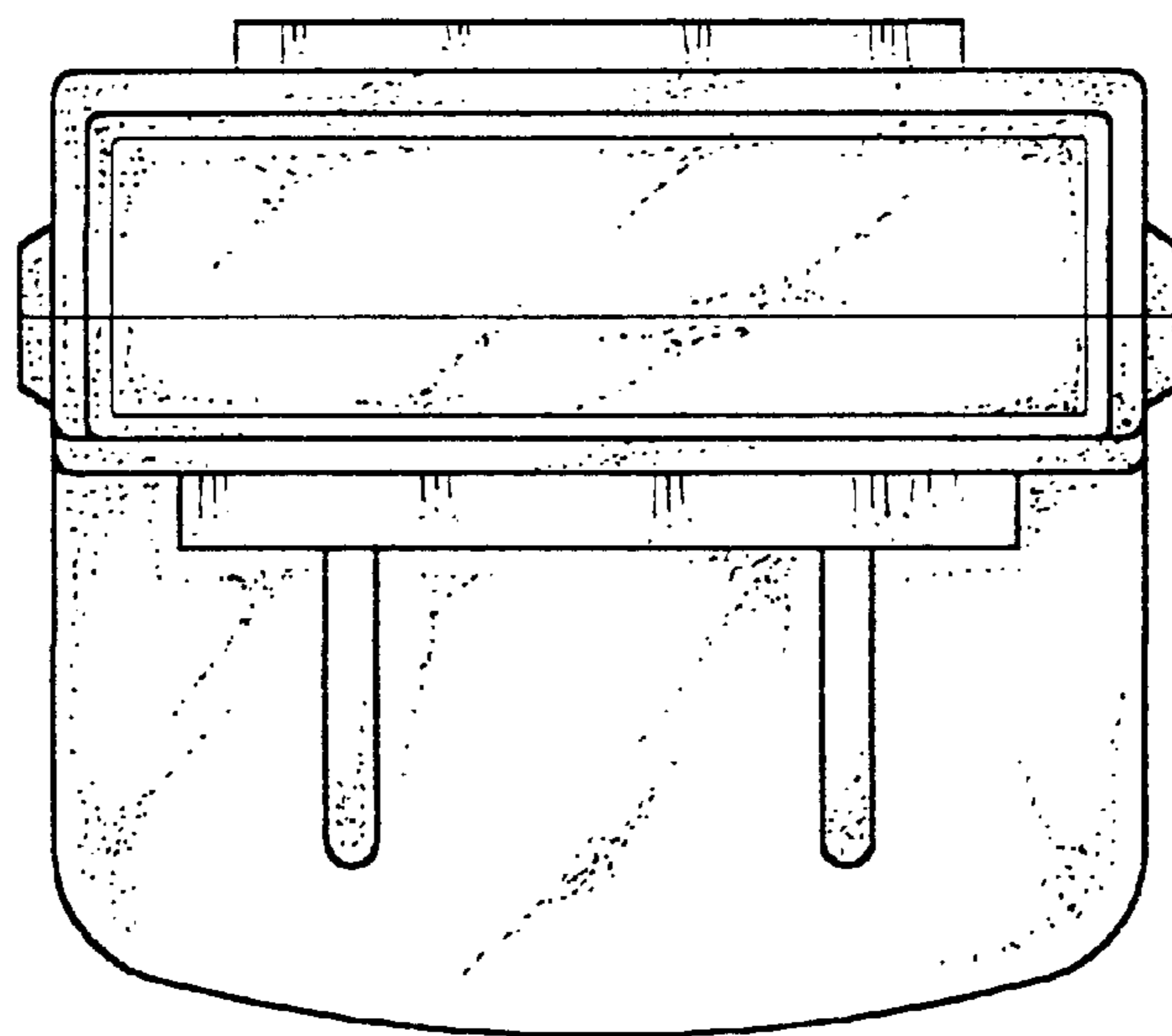


FIG. 5

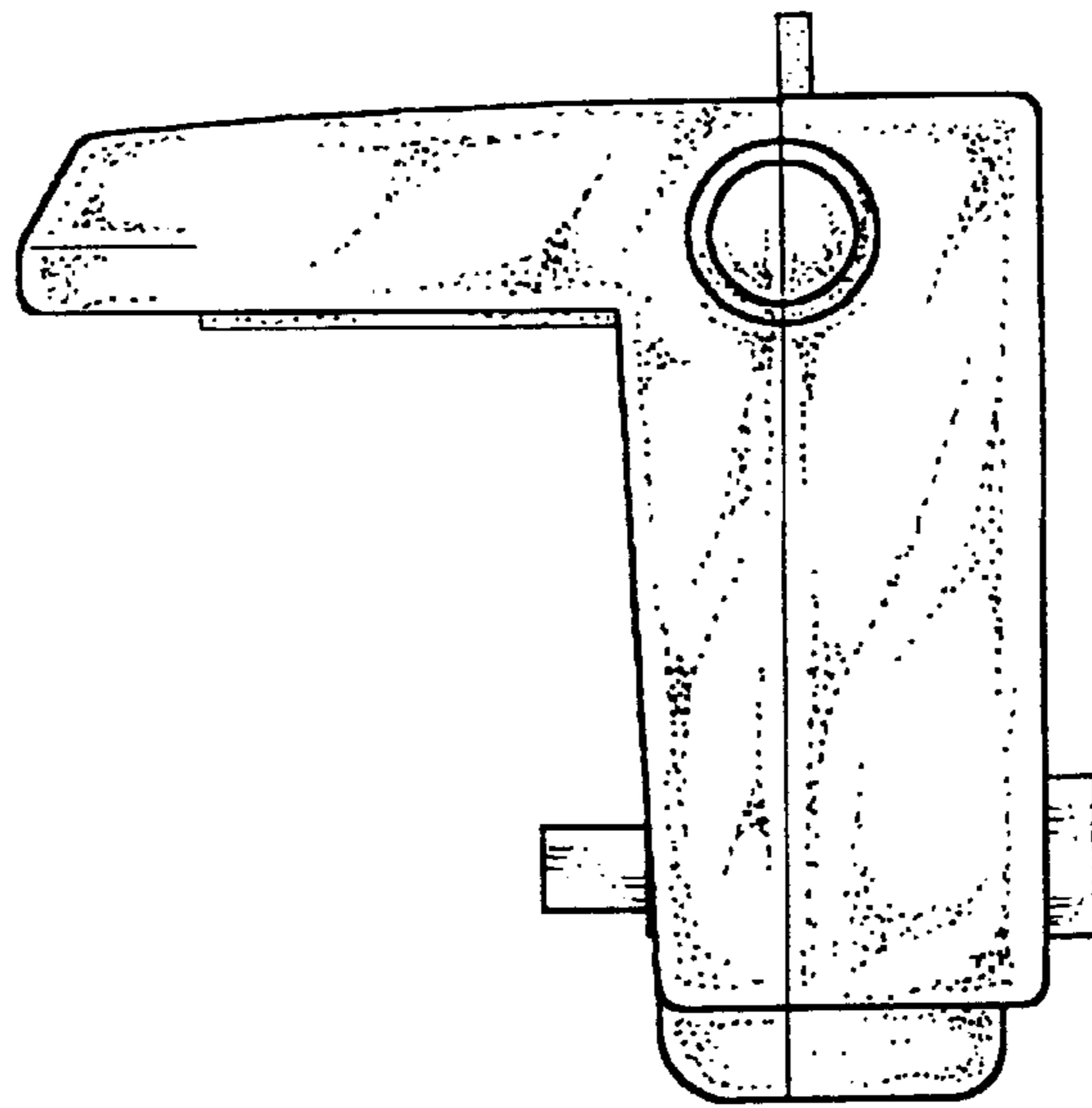


FIG. 6

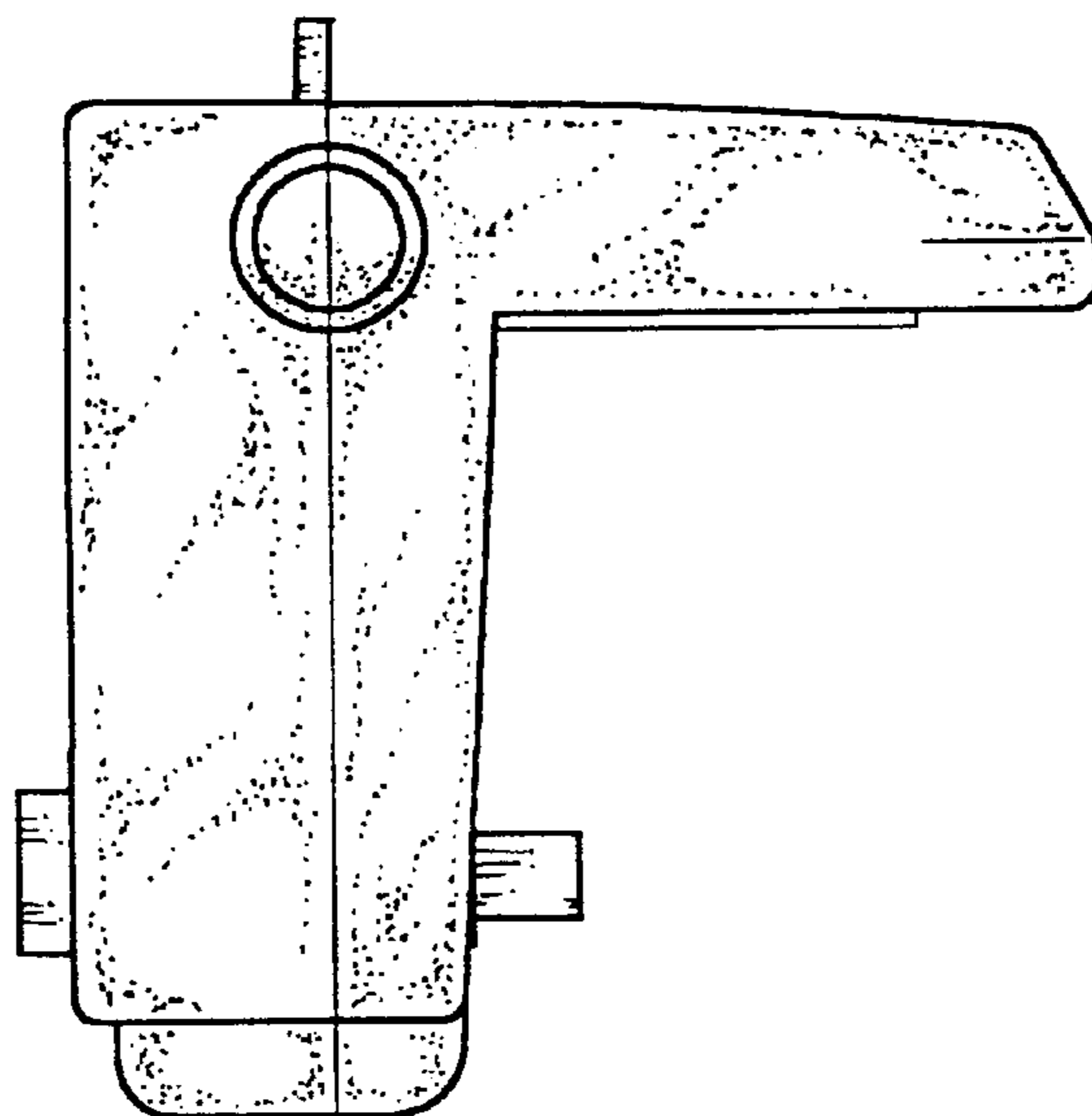


FIG. 7