



US00D420989S

United States Patent [19]

Sandhu et al.

[11] Patent Number: **Des. 420,989**

[45] Date of Patent: **** Feb. 22, 2000**

[54] **CRADLE FOR A HANDHELD COMPUTER**

[75] Inventors: **Kulbir S. Sandhu**, San Jose; **Dallas R. Grove**, Menlo Park; **Ricardo A. Penate**, Pacifica, all of Calif.

[73] Assignee: **3Com Corporation**, Santa Clara, Calif.

[**] Term: **14 Years**

[21] Appl. No.: **29/084,794**

[22] Filed: **Mar. 9, 1998**

[51] **LOC (7) Cl.** **14-02**

[52] **U.S. Cl.** **D14/114**

[58] **Field of Search** D14/100, 107, D14/109, 114; 361/686, 679-83; D3/201, 304, 318, 269; 206/305, 320, 701

[56] **References Cited**

U.S. PATENT DOCUMENTS

D. 358,144	5/1995	Masaaki	D14/114
D. 366,659	1/1996	Ross et al.	D14/114
D. 373,121	8/1996	Deluliis et al.	D14/114
D. 374,660	10/1996	Holmes et al.	D14/100
D. 379,265	5/1997	Wathen et al.	D14/114 X

D. 395,640	6/1998	Goodman et al.	D14/114
5,368,159	11/1994	Doria	206/320
5,632,373	5/1997	Kumar et al.	206/305

Primary Examiner—M. H. Tung
Attorney, Agent, or Firm—Wilson, Sonsini, Goodrich & Rosati

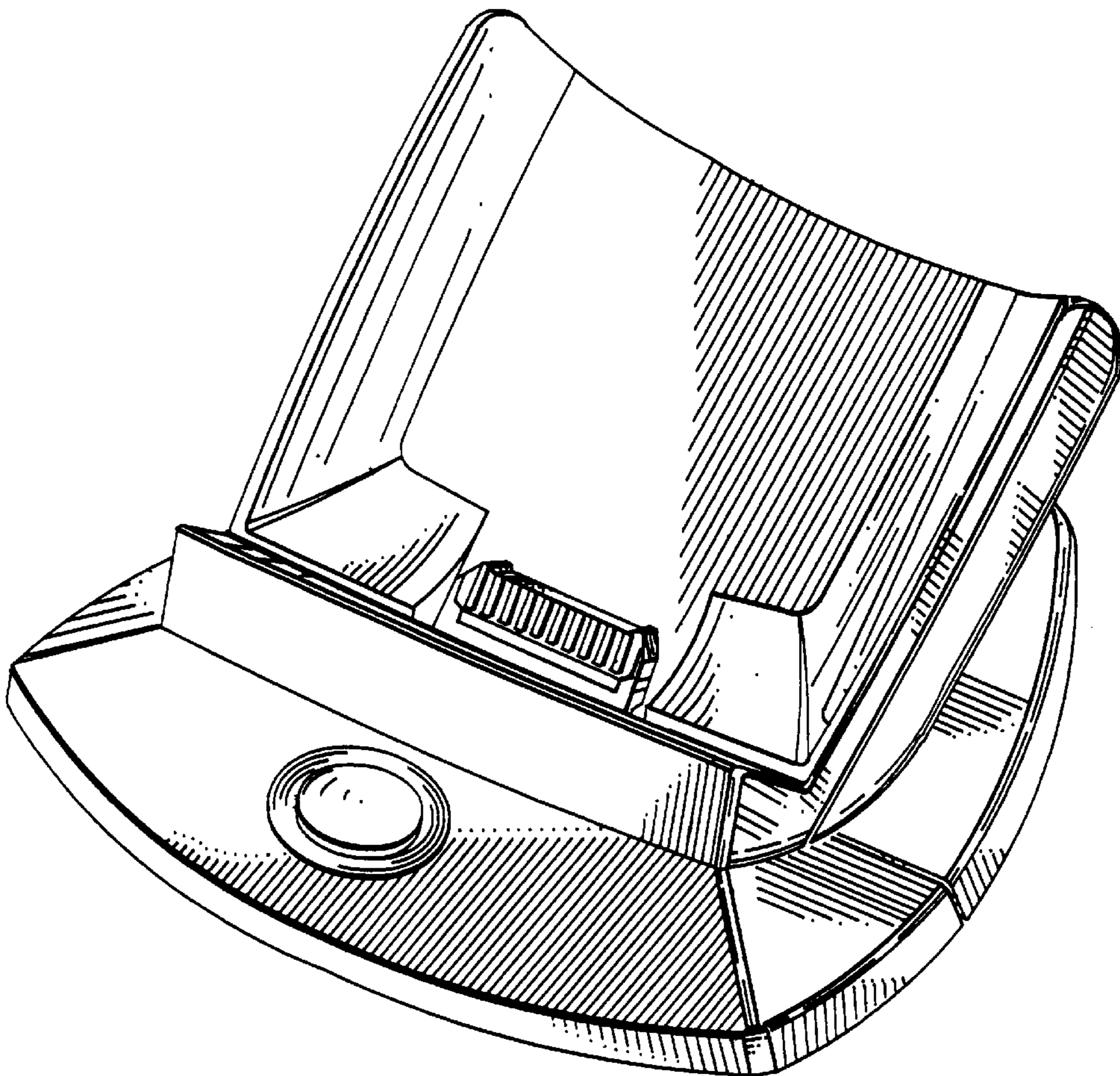
[57] **CLAIM**

The ornamental design for a cradle for a handheld computer, as shown and described.

DESCRIPTION

FIG. 1 is a front perspective view of a cradle for a handheld computer, showing our design;
FIG. 2 is a front view thereof, the view illustrating a perspective wherein the feet of the apparatus are not visible extended beyond the base;
FIG. 3 is a back view thereof, the view illustrating a perspective wherein the feet of the apparatus are not visible extended beyond the base;
FIG. 4 is a right side view thereof, the left side is a mirror image;
FIG. 5 is a top view thereof; and,
FIG. 6 is a bottom view thereof.

1 Claim, 6 Drawing Sheets



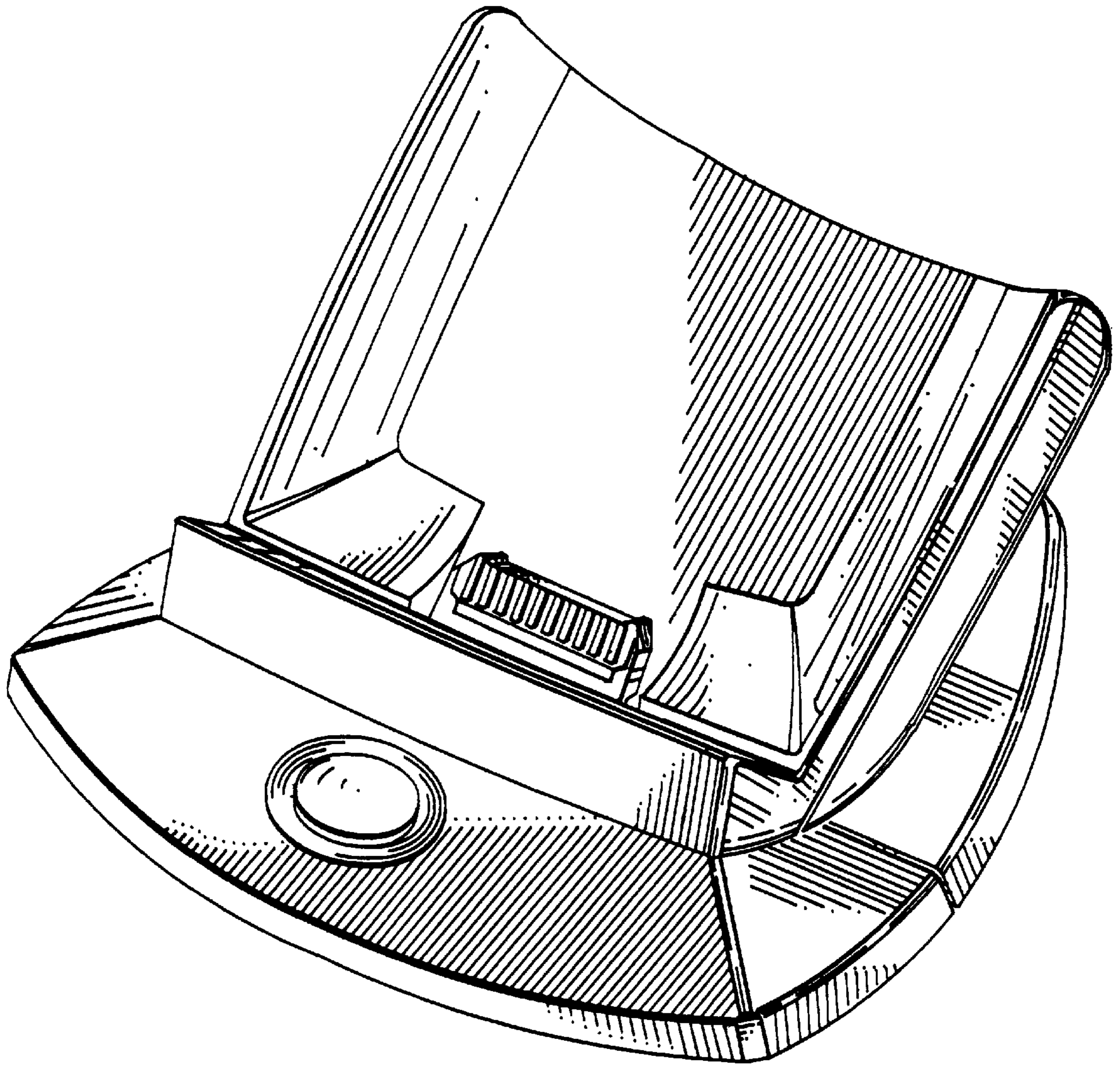


FIG. - 1

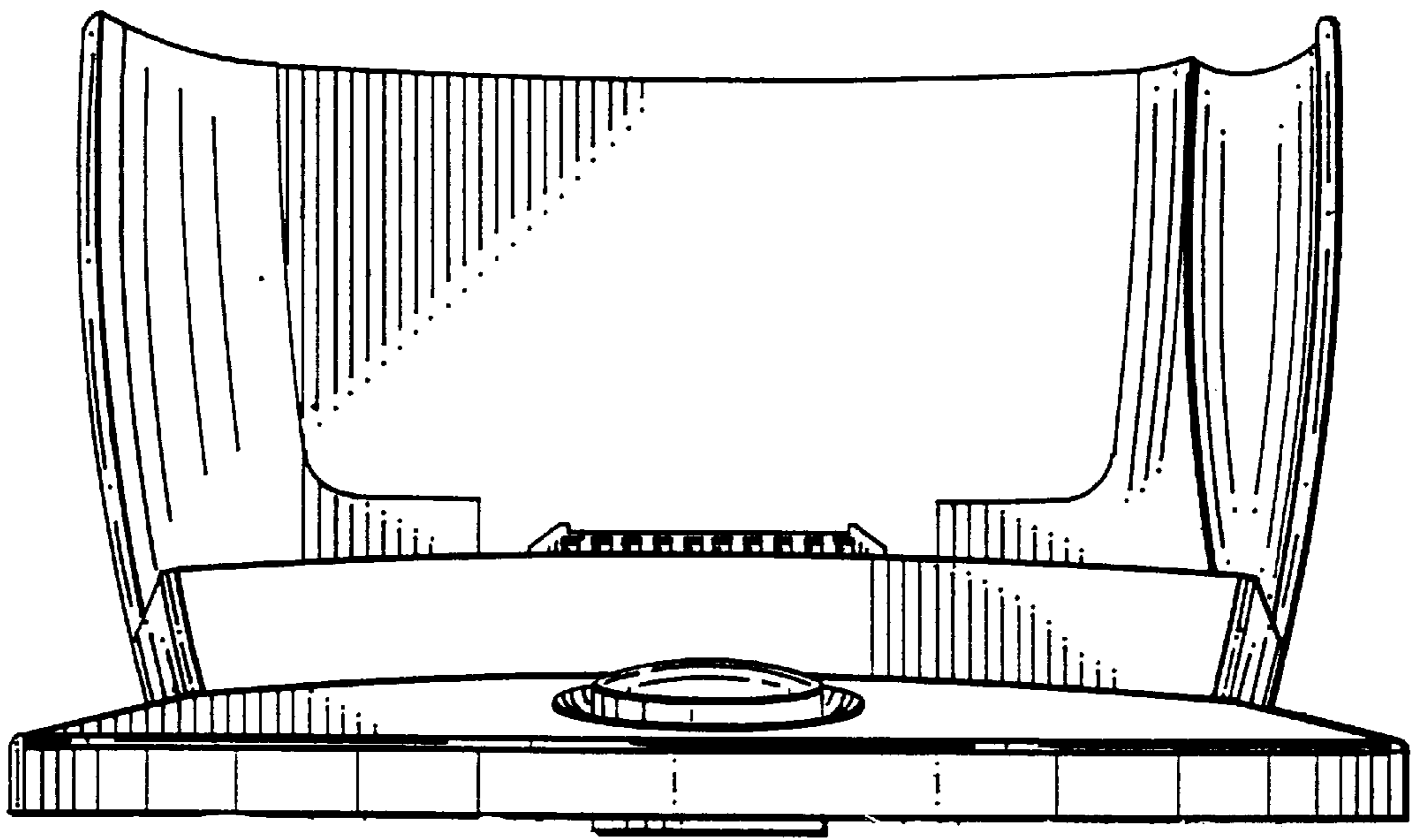


FIG. - 2

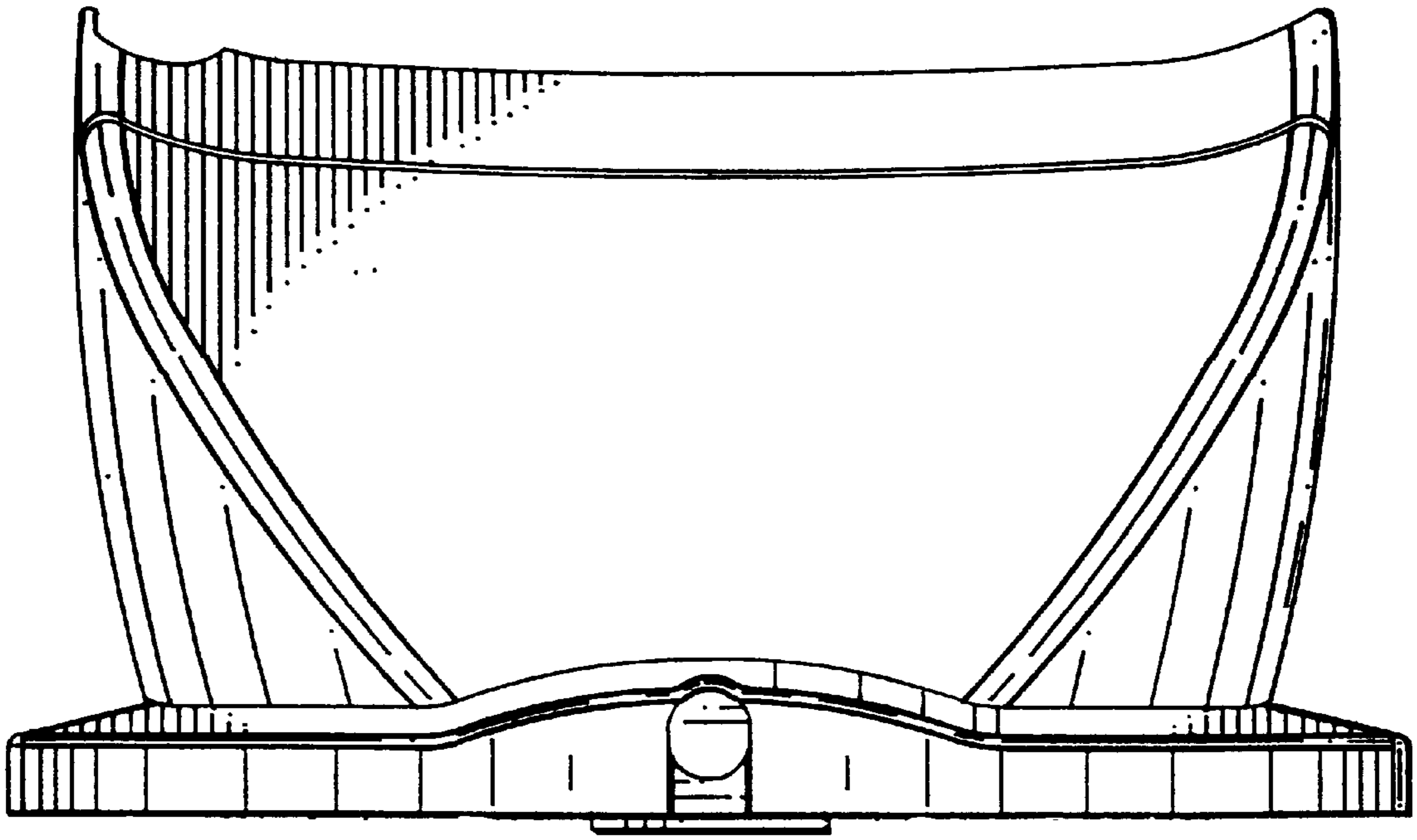


FIG. - 3

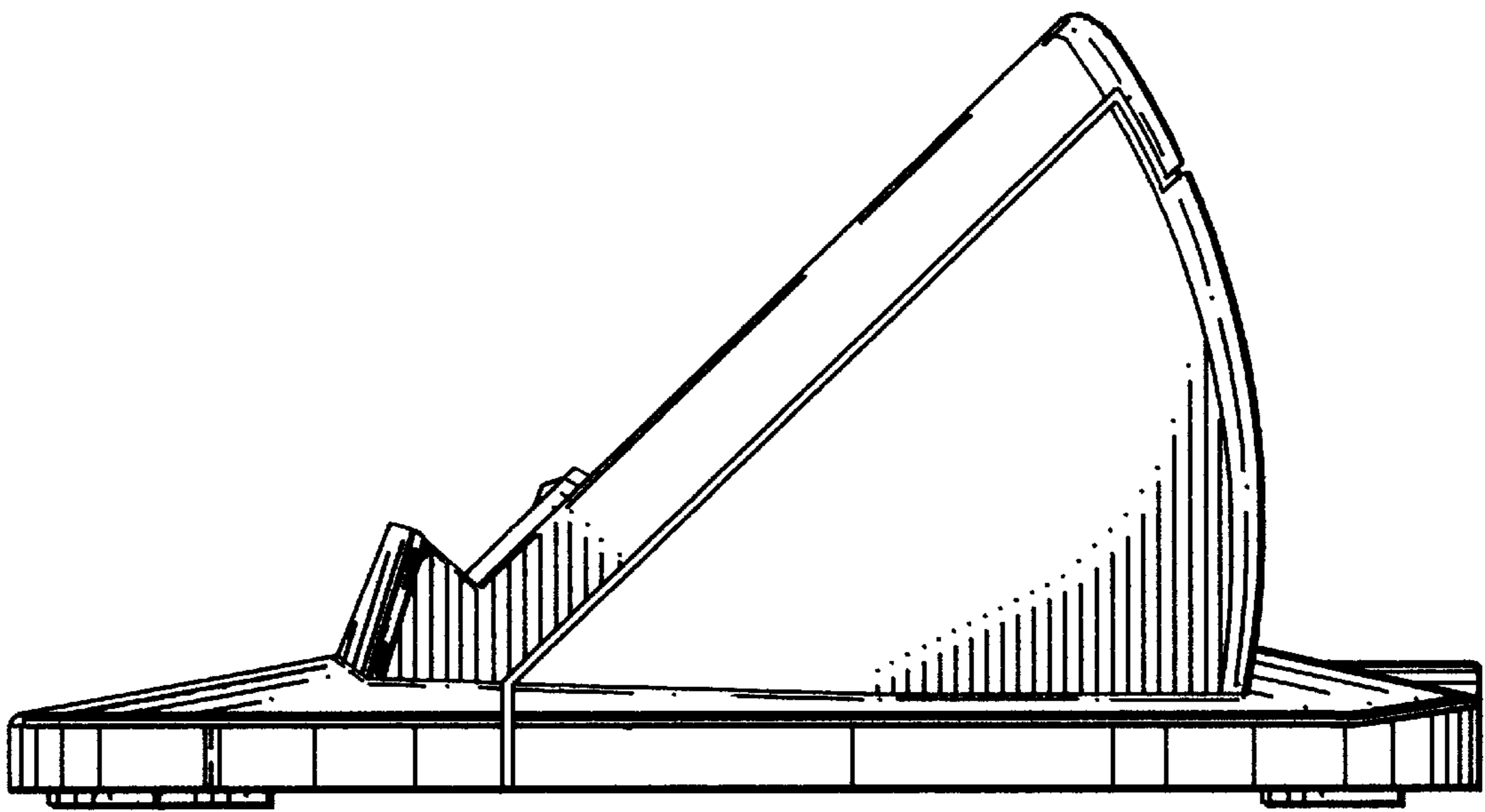


FIG. - 4

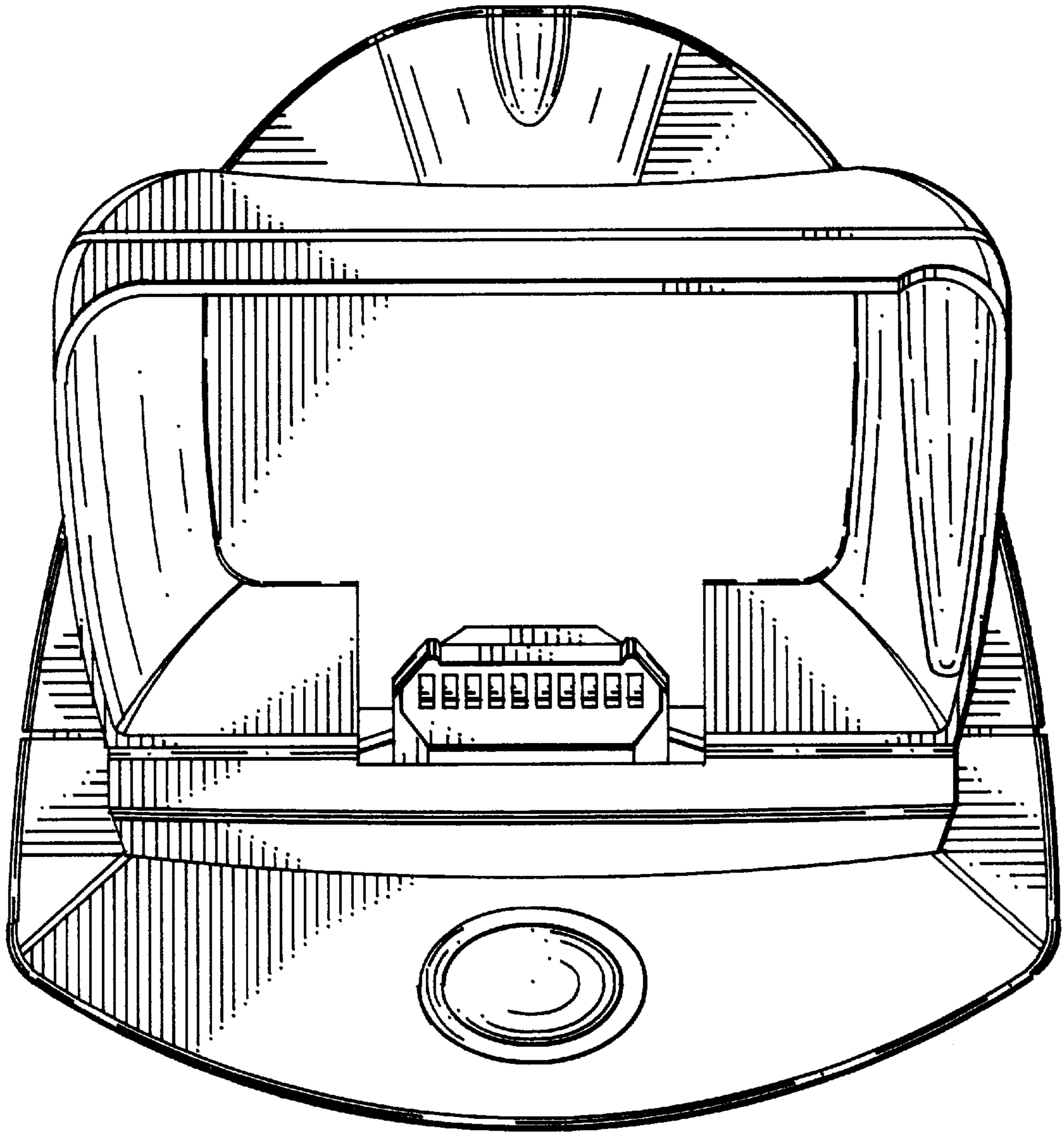


FIG. - 5

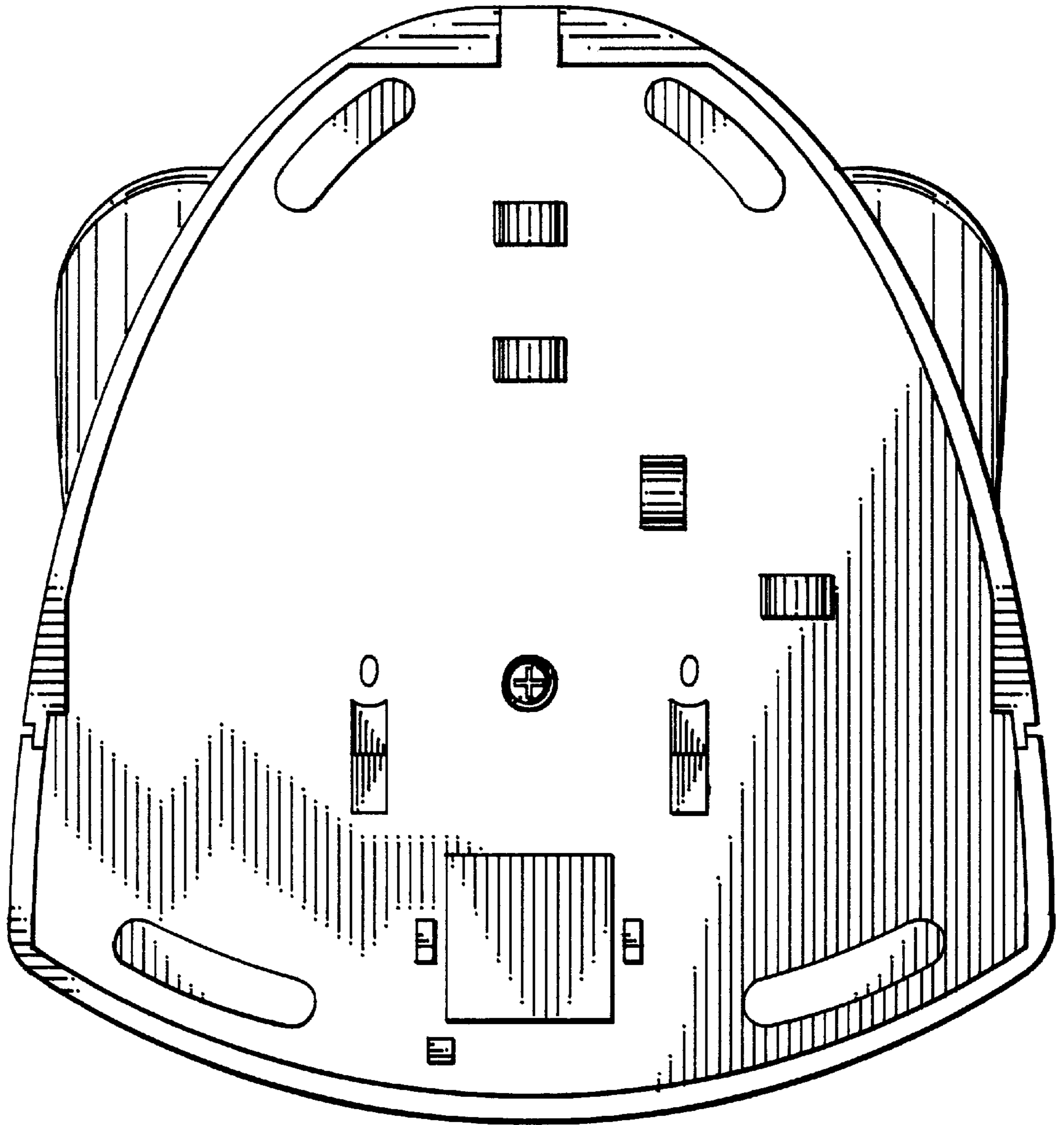


FIG. - 6