



US00D420984S

# United States Patent [19]

Ueda et al.

[11] **Patent Number: Des. 420,984**

[45] **Date of Patent: \*\* Feb. 22, 2000**

[54] **LENS FOR SEMICONDUCTOR ELEMENT**

[75] Inventors: **Kazuhiko Ueda; Yuichi Takagi**, both of Tokyo, Japan

[73] Assignee: **Sony Corporation**, Tokyo, Japan

[\*\*] Term: **14 Years**

[21] Appl. No.: **29/095,921**

[22] Filed: **Mar. 19, 1997**

[51] **LOC (7) Cl. .... 13-03**

[52] **U.S. Cl. .... D13/182**

[58] **Field of Search** ..... D13/182; D16/134; 359/642, 808, 809; 348/294; D14/106, 114

[56] **References Cited**

**U.S. PATENT DOCUMENTS**

D. 395,423	6/1998	Koyama et al. ....	D13/182
D. 395,638	6/1998	Koyama et al. ....	D13/182
D. 396,696	8/1998	Takagi et al. ....	D13/182
D. 396,702	4/1998	Ando .....	D14/106
5,191,480	3/1993	Murray et al. ....	359/809 X

5,706,140	1/1998	Nishino et al. ....	359/809 X
5,726,813	3/1998	Katoh et al. ....	359/809
5,880,928	3/1999	Ma .....	D14/106 X

*Primary Examiner*—Brian N. Vinson  
*Attorney, Agent, or Firm*—Foley & Lardner

[57] **CLAIM**

The ornamental design for a lens for semiconductor element, as shown and described.

**DESCRIPTION**

FIG. 1 is a perspective view of a lens for a semiconductor element showing our new design; FIG. 2 is a top plan view thereof; a bottom plan view thereof being a mirror image; FIG. 3 is a left side elevational view thereof; a right side elevational view thereof being a mirror image; FIG. 4 is a front elevational view thereof; FIG. 5 is a rear elevational view thereof; and, FIG. 6 is a rear elevational view of another embodiment of a lens for an semiconductor element showing our new design, the rest of the views of the embodiment of FIG. 6 is the same as those of the embodiment of FIG. 1.

**1 Claim, 3 Drawing Sheets**

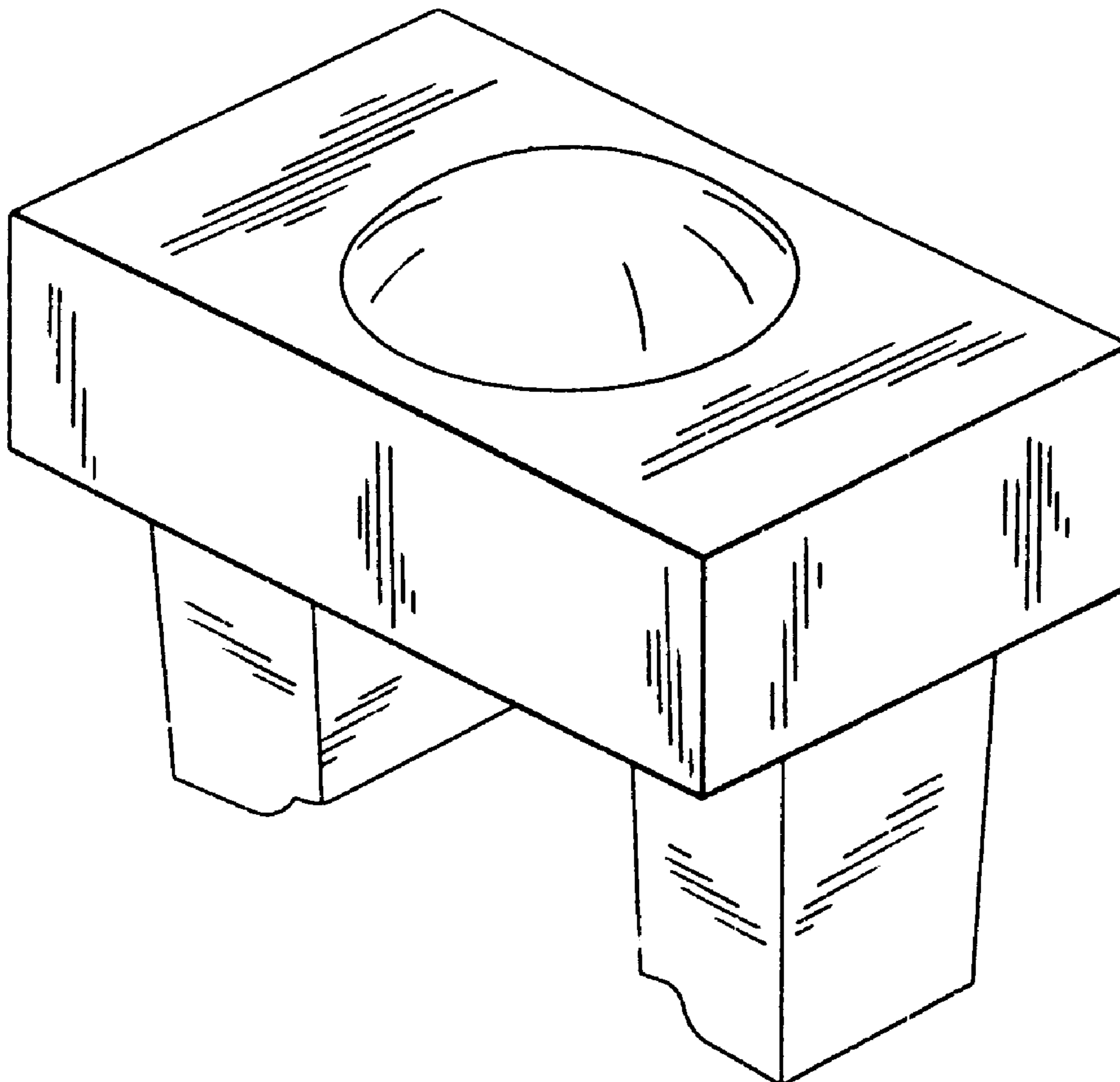


FIG. 1

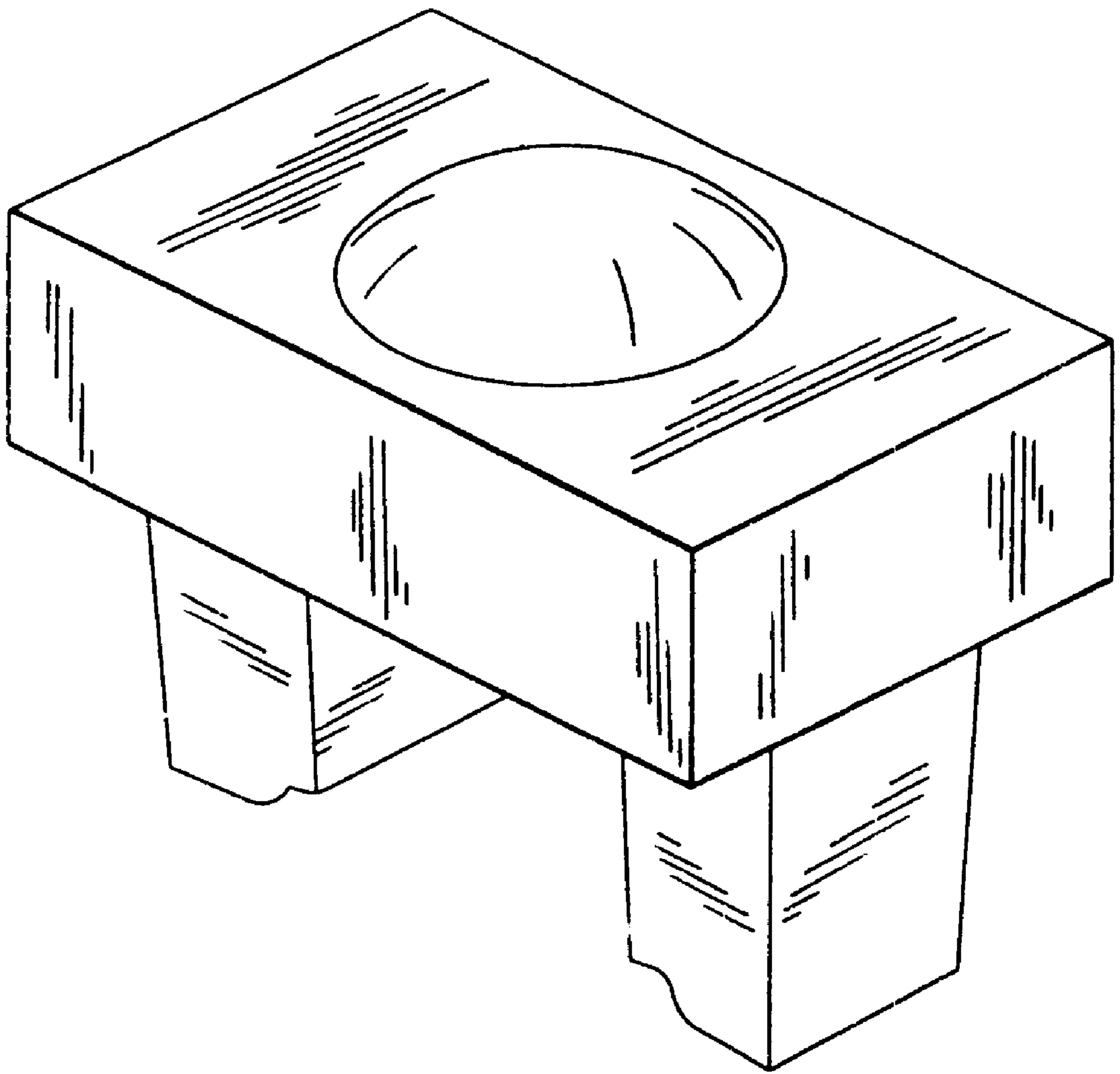


FIG. 2

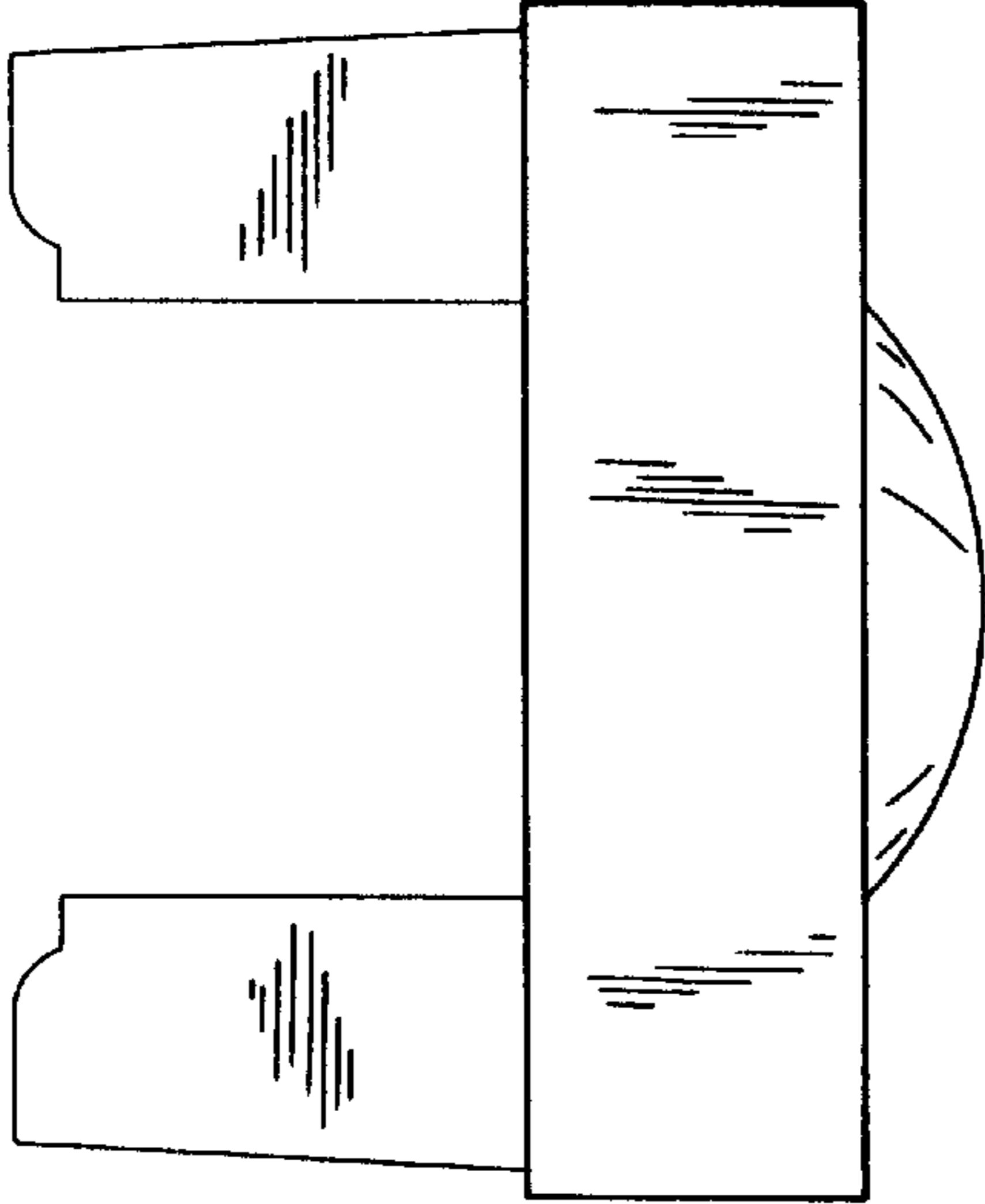


FIG. 4

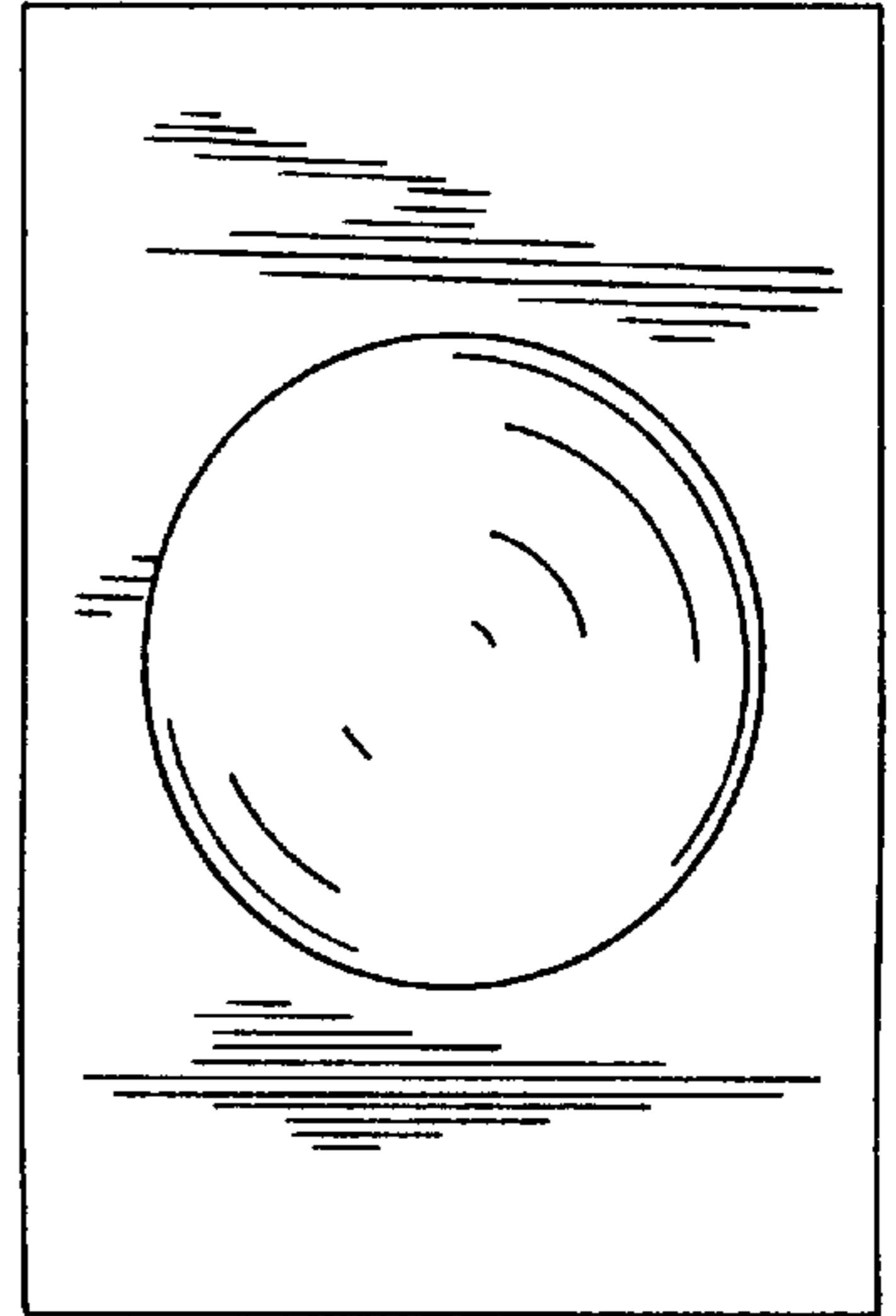


FIG. 3

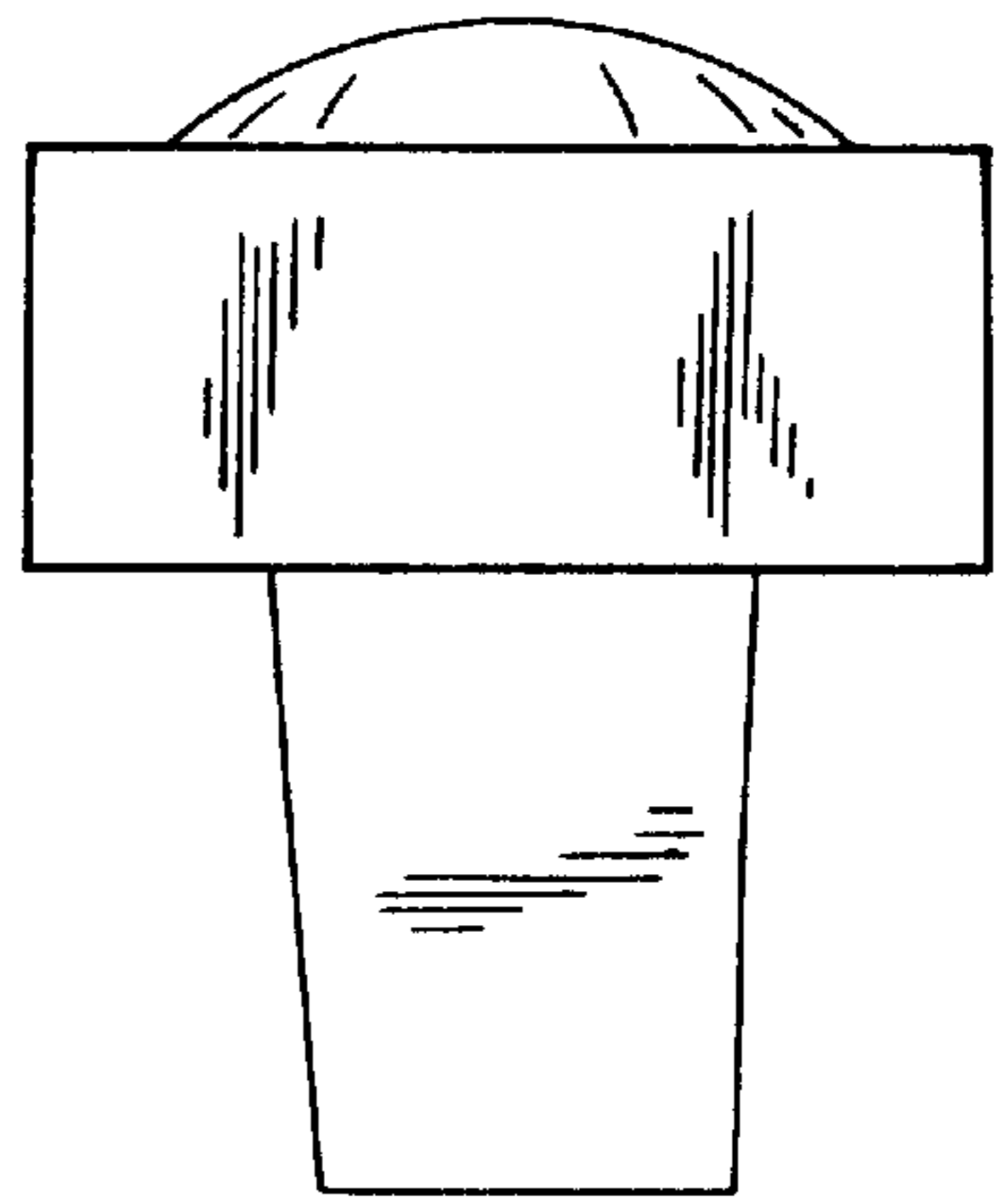


FIG. 6

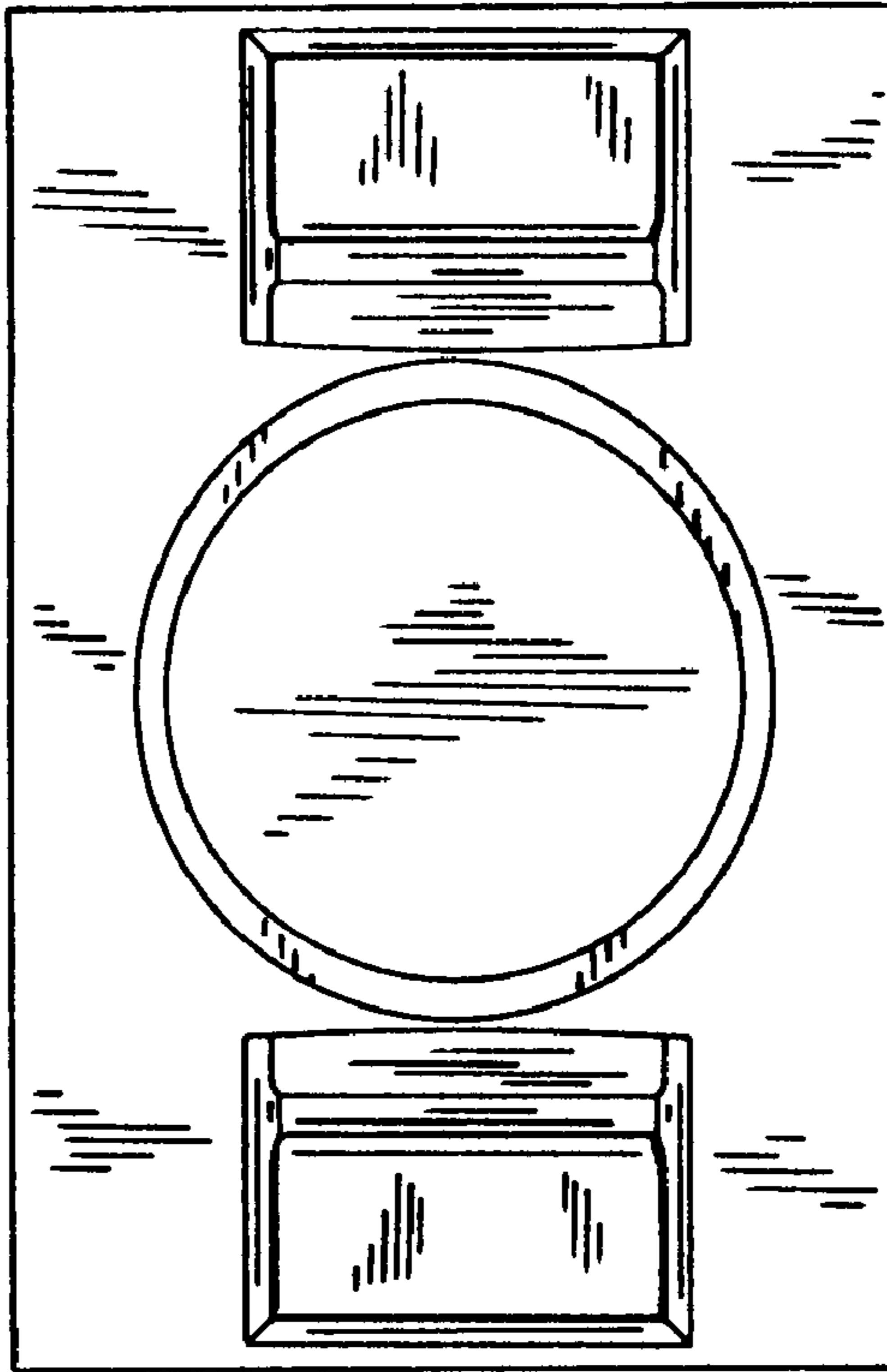


FIG. 5

