



US00D420981S

United States Patent [19] Wu

[11] **Patent Number: Des. 420,981**

[45] **Date of Patent: ** Feb. 22, 2000**

[54] **ELECTRICAL CONNECTOR**

[75] Inventor: **Kun-Tsan Wu, Tu-Chen, Taiwan**

[73] Assignee: **Hon Hai Precision Ind. Co., Ltd.,
Taipei Hsien, Taiwan**

[**] Term: **14 Years**

[21] Appl. No.: **29/101,607**

[22] Filed: **Mar. 8, 1999**

[30] **Foreign Application Priority Data**

Sep. 8, 1998 [TW] Taiwan 87306596

[51] **LOC (7) Cl. 13-03**

[52] **U.S. Cl. D13/147**

[58] **Field of Search D13/133, 146,
D13/149; 439/65, 526, 607, 632, 677, 74**

[56] **References Cited**

U.S. PATENT DOCUMENTS

D. 404,710 1/1999 Lai et al. D13/147

D. 411,172	6/1999	Wu	D13/147
5,558,540	9/1996	Kato et al.	439/637
5,697,799	12/1997	Consoli et al.	439/181
5,904,581	5/1999	Pope et al.	439/74
5,915,975	6/1999	McGrath	439/74
5,921,787	7/1999	Pope et al.	439/74

Primary Examiner—Joel Sincavage
Attorney, Agent, or Firm—Wei Te Chung

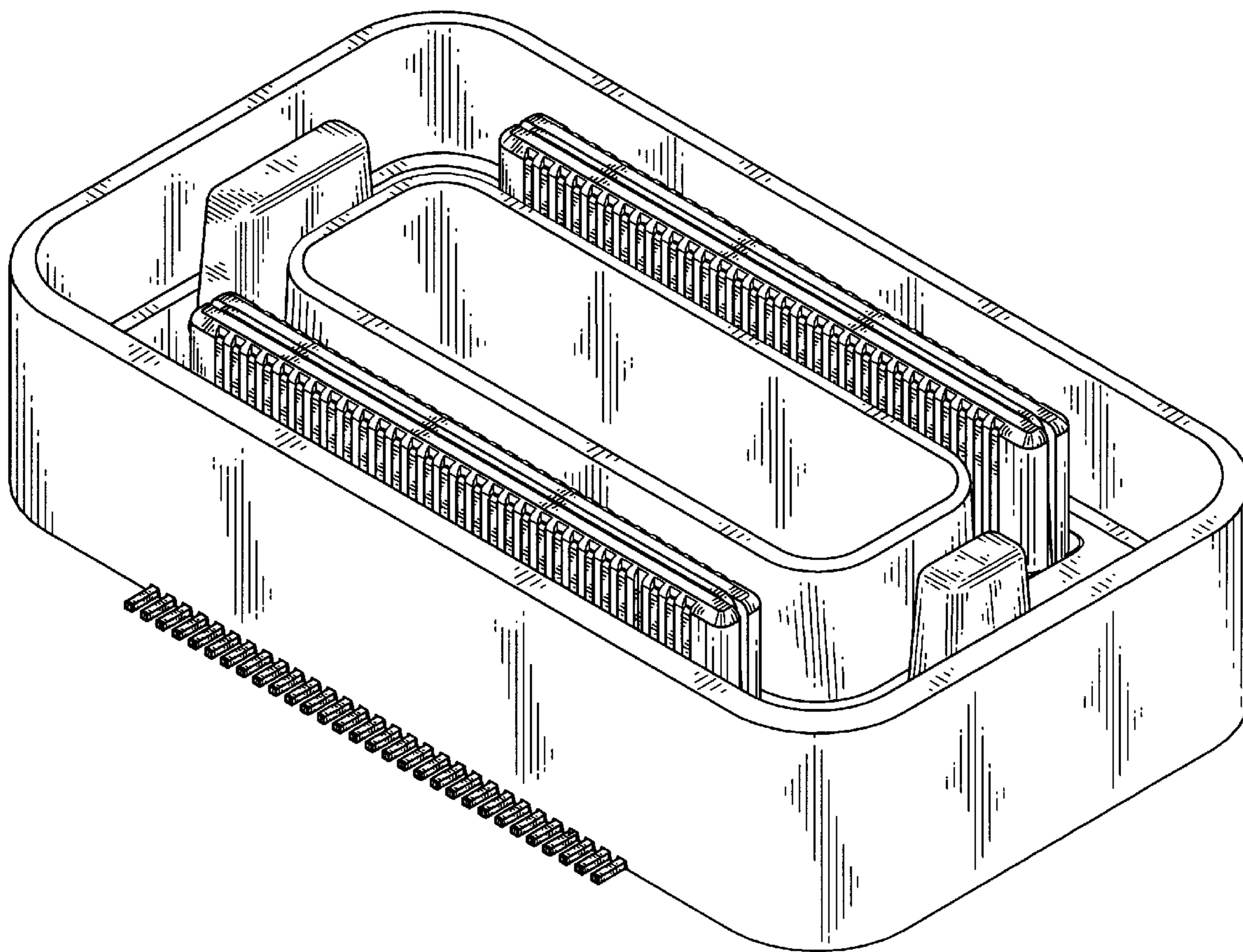
[57] **CLAIM**

The ornamental design for an electrical connector, as shown.

DESCRIPTION

FIG. 1 is a perspective view of an electrical connector showing my new design; FIG. 2 is a front elevational view thereof; FIG. 3 is a rear elevational view thereof; FIG. 4 is a left side elevational view thereof; FIG. 5 is a right side elevational view thereof; FIG. 6 is a top plan view thereof; and, FIG. 7 is a bottom plan view thereof.

1 Claim, 7 Drawing Sheets



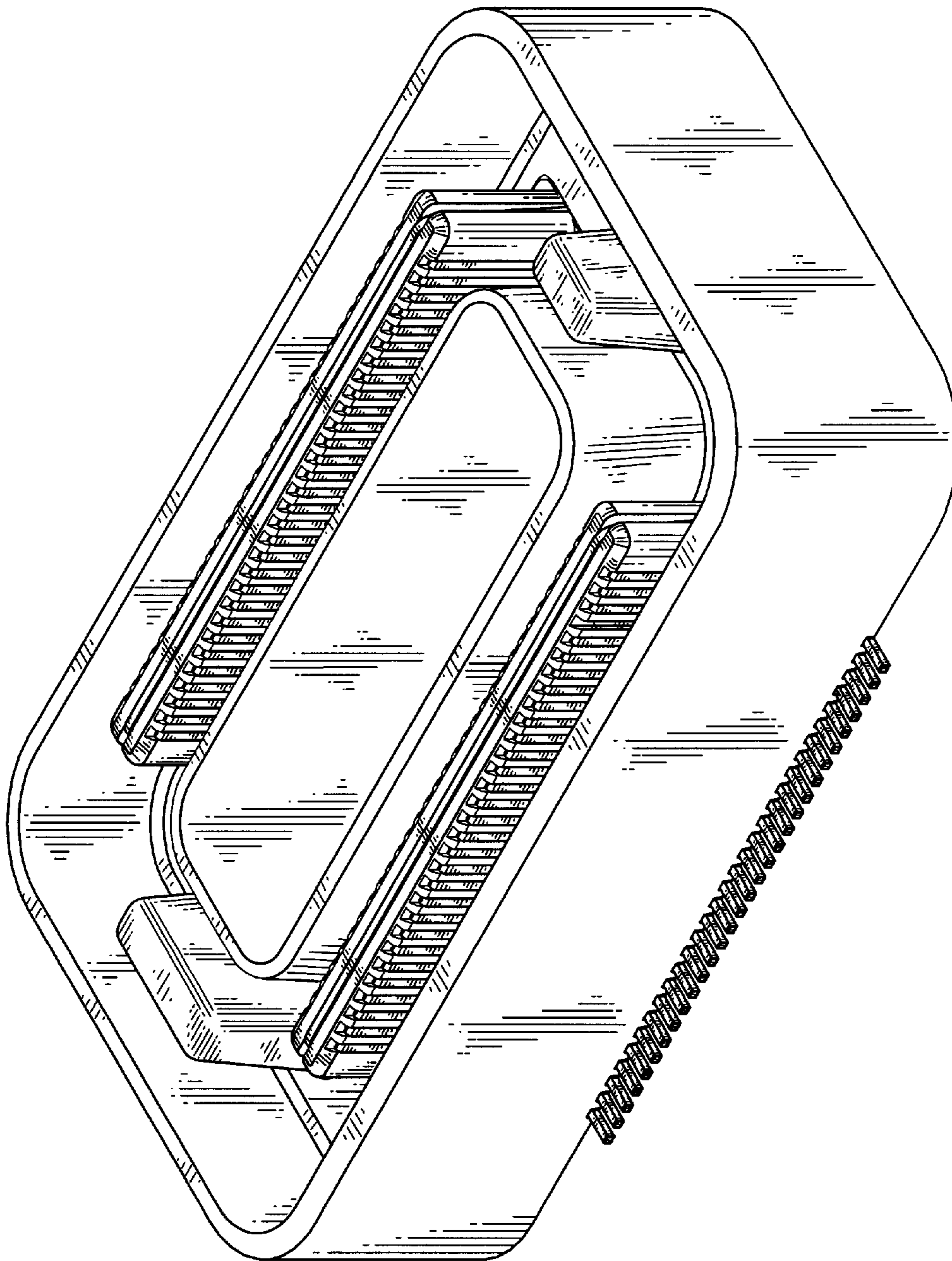


FIG. 1

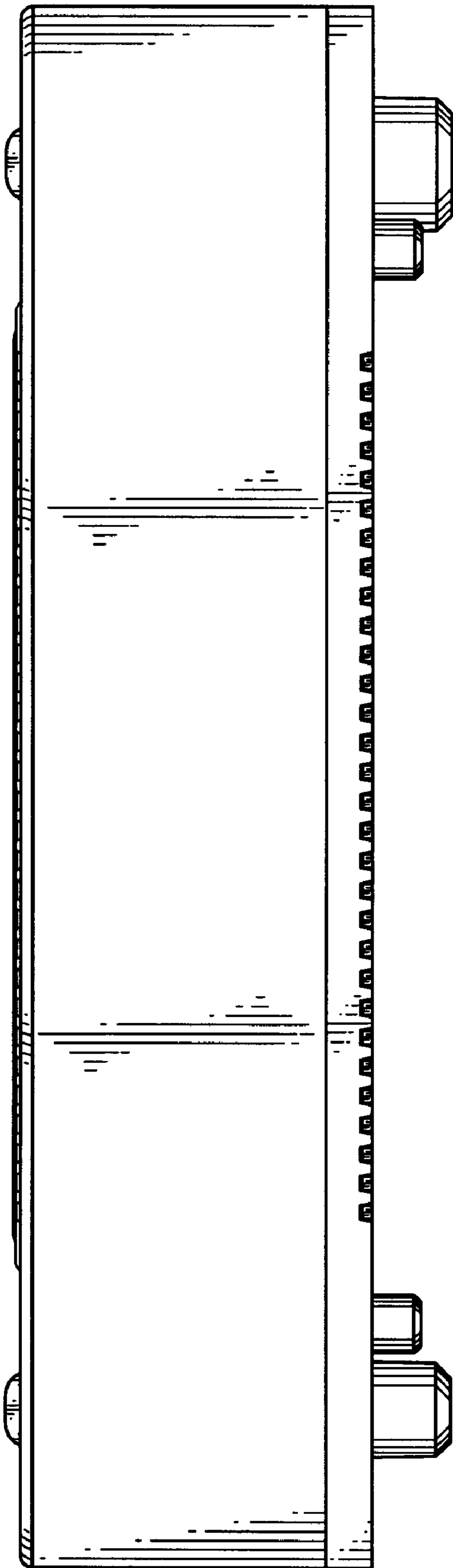


FIG. 2

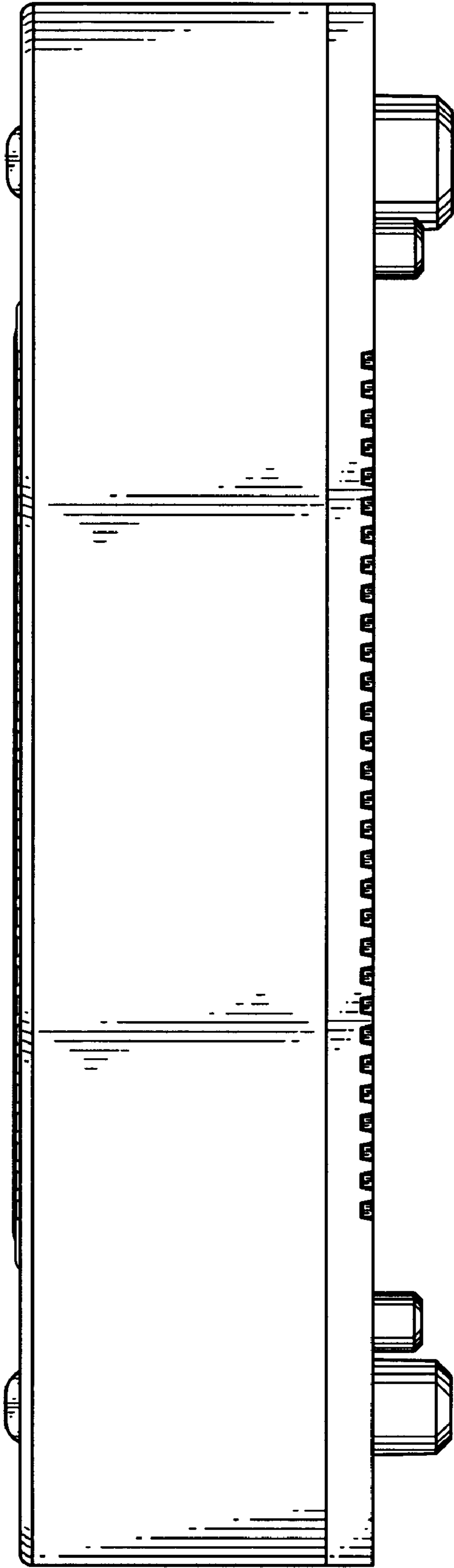


FIG. 3

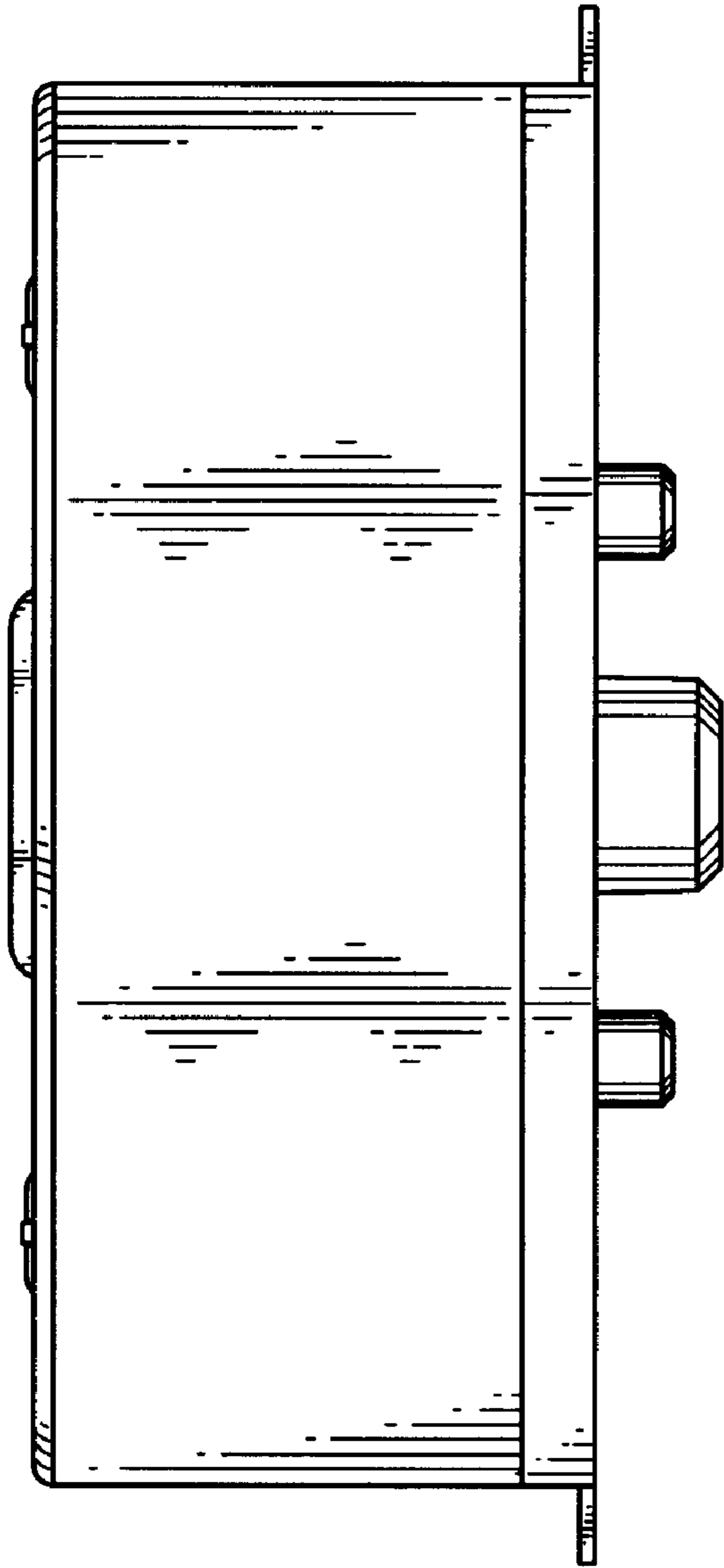


FIG. 4

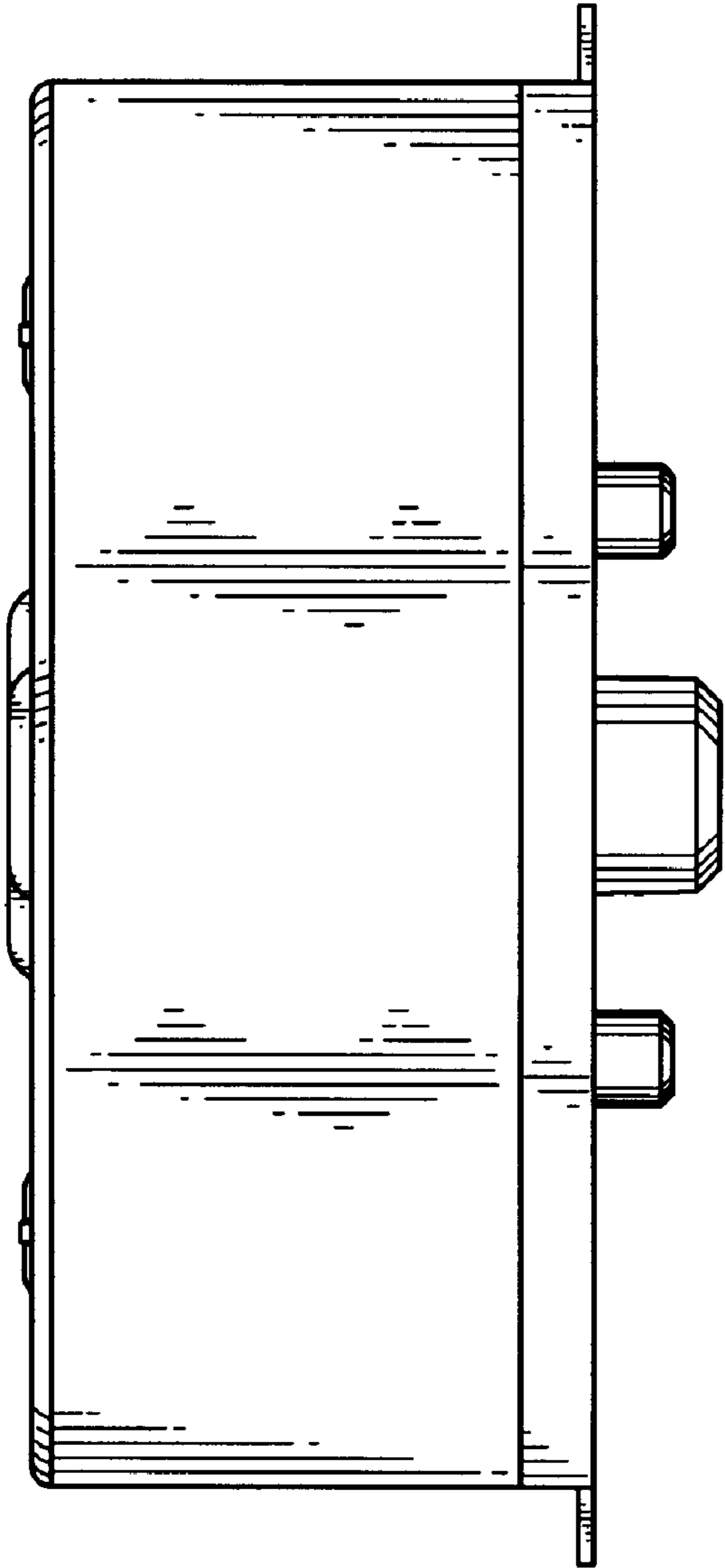


FIG. 5

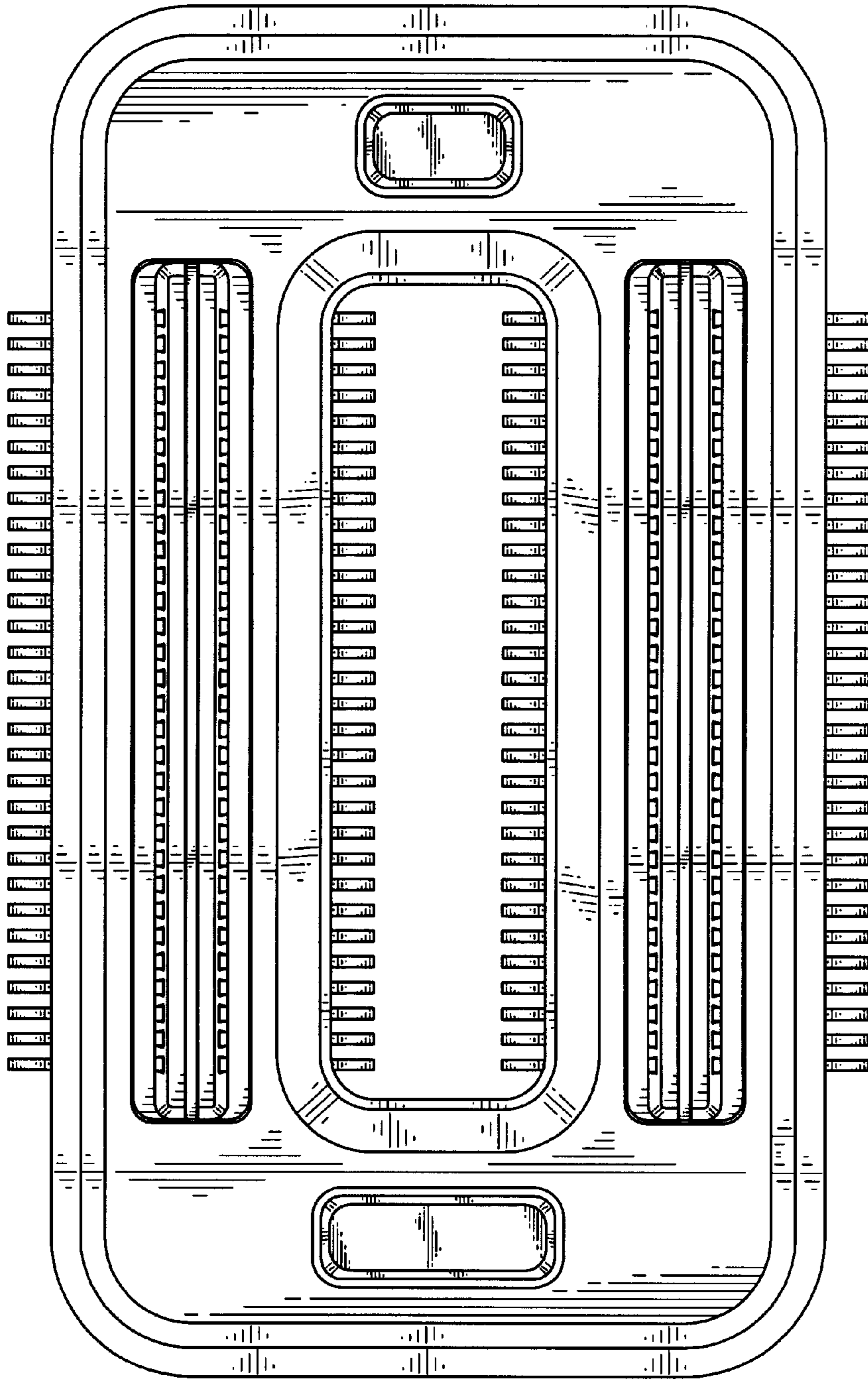


FIG. 6

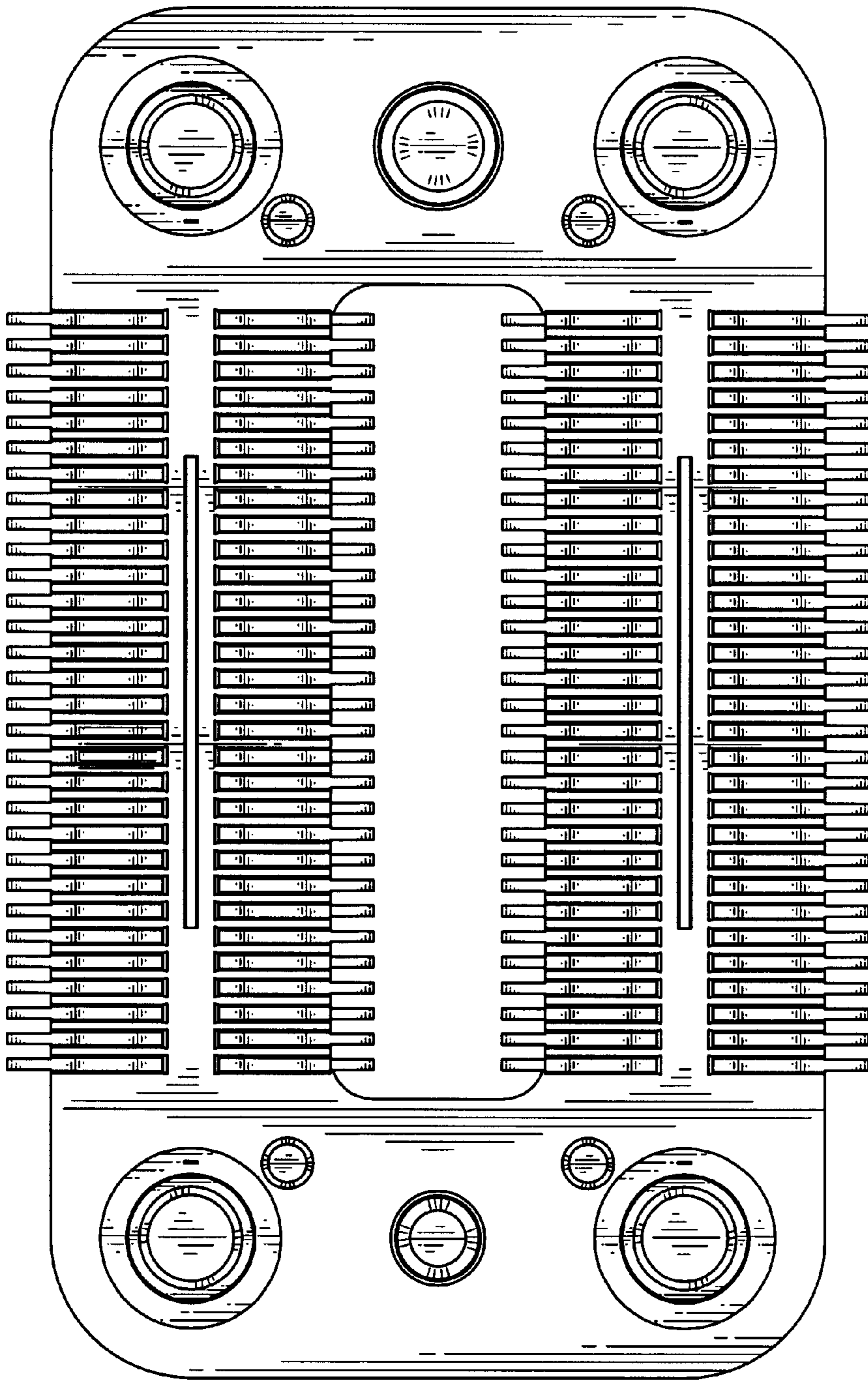


FIG. 7