



US00D420979S

United States Patent [19] Chang

[11] Patent Number: **Des. 420,979**

[45] Date of Patent: **** Feb. 22, 2000**

[54] **ELECTRICAL CONNECTOR**

[75] Inventor: **Jen-Jou Chang**, Yung-Ho, Taiwan

[73] Assignee: **Hon Hai Precision Ind. Co., Ltd.**,
Taipei Hsien, Taiwan

[**] Term: **14 Years**

[21] Appl. No.: **29/103,292**

[22] Filed: **Apr. 12, 1999**

[30] **Foreign Application Priority Data**

Oct. 13, 1998 [TW] Taiwan 85302219

[51] **LOC (7) Cl.** **13-03**

[52] **U.S. Cl.** **D13/146; D13/147**

[58] **Field of Search** D13/133, 146,
D13/147; D14/256; 439/63, 532, 536, 540.1,
541.5, 939, 639, 607

[56] **References Cited**

U.S. PATENT DOCUMENTS

- D. 340,058 10/1993 Wetzel et al. D13/147 X
- D. 411,513 6/1999 Wu et al. D13/147
- D. 413,103 8/1999 Wu D13/147

- 4,889,502 12/1989 Althouse et al. 439/607
- 5,118,312 6/1992 Lu 439/676
- 5,192,228 3/1993 Collins et al. 439/607 X
- 5,407,366 4/1995 Briones et al. 439/639
- 5,545,057 8/1996 Tan et al. 439/540.1
- 5,643,008 7/1997 Tan et al. 439/541.5
- 5,695,362 12/1997 Hillbish et al. 439/541.5
- 5,755,592 5/1998 Hillbish et al. 439/541.5
- 5,863,210 1/1999 Reisinger 439/41

Primary Examiner—Joel Sincavage
Attorney, Agent, or Firm—Wei Te Chung

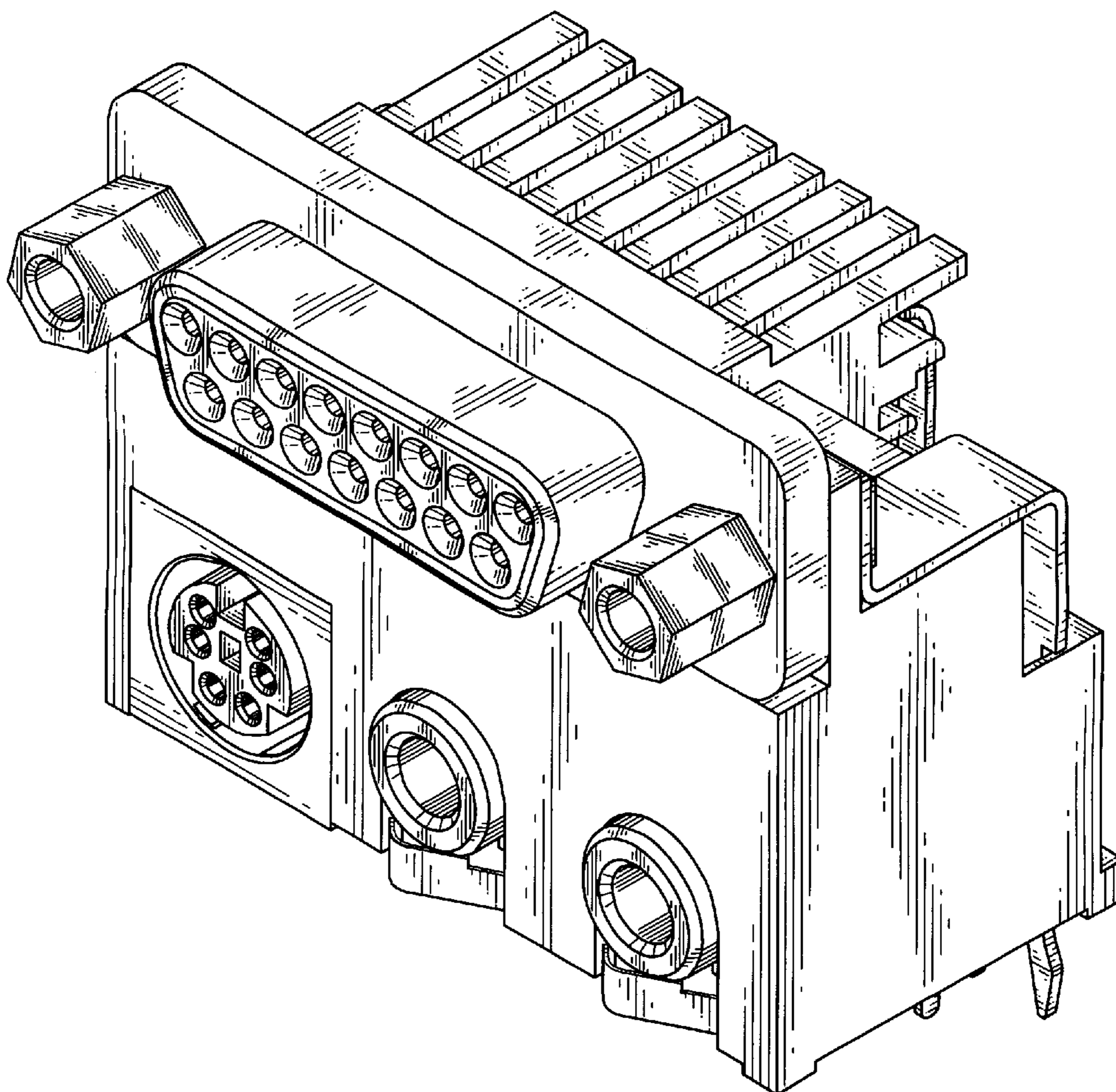
[57] **CLAIM**

The ornamental design for an electrical connector, as shown.

DESCRIPTION

FIG. 1 is a perspective view of an electrical connector showing my new design;
FIG. 2 is a front elevational view thereof;
FIG. 3 is a rear elevational view thereof;
FIG. 4 is a left side elevational view thereof;
FIG. 5 is a right side elevational view thereof;
FIG. 6 is a top plan view thereof; and,
FIG. 7 is a bottom plan view thereof.

1 Claim, 7 Drawing Sheets



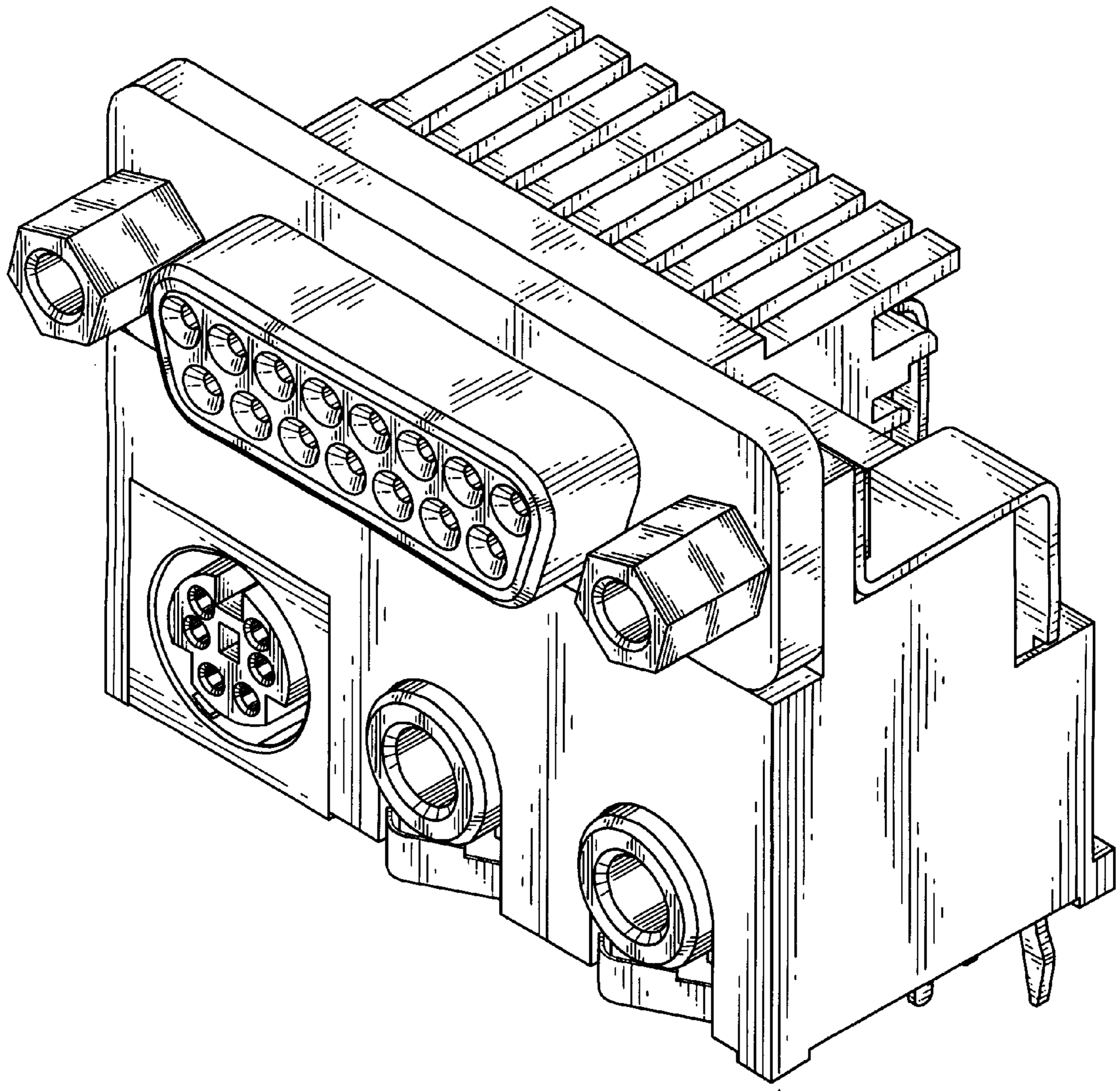


FIG. 1

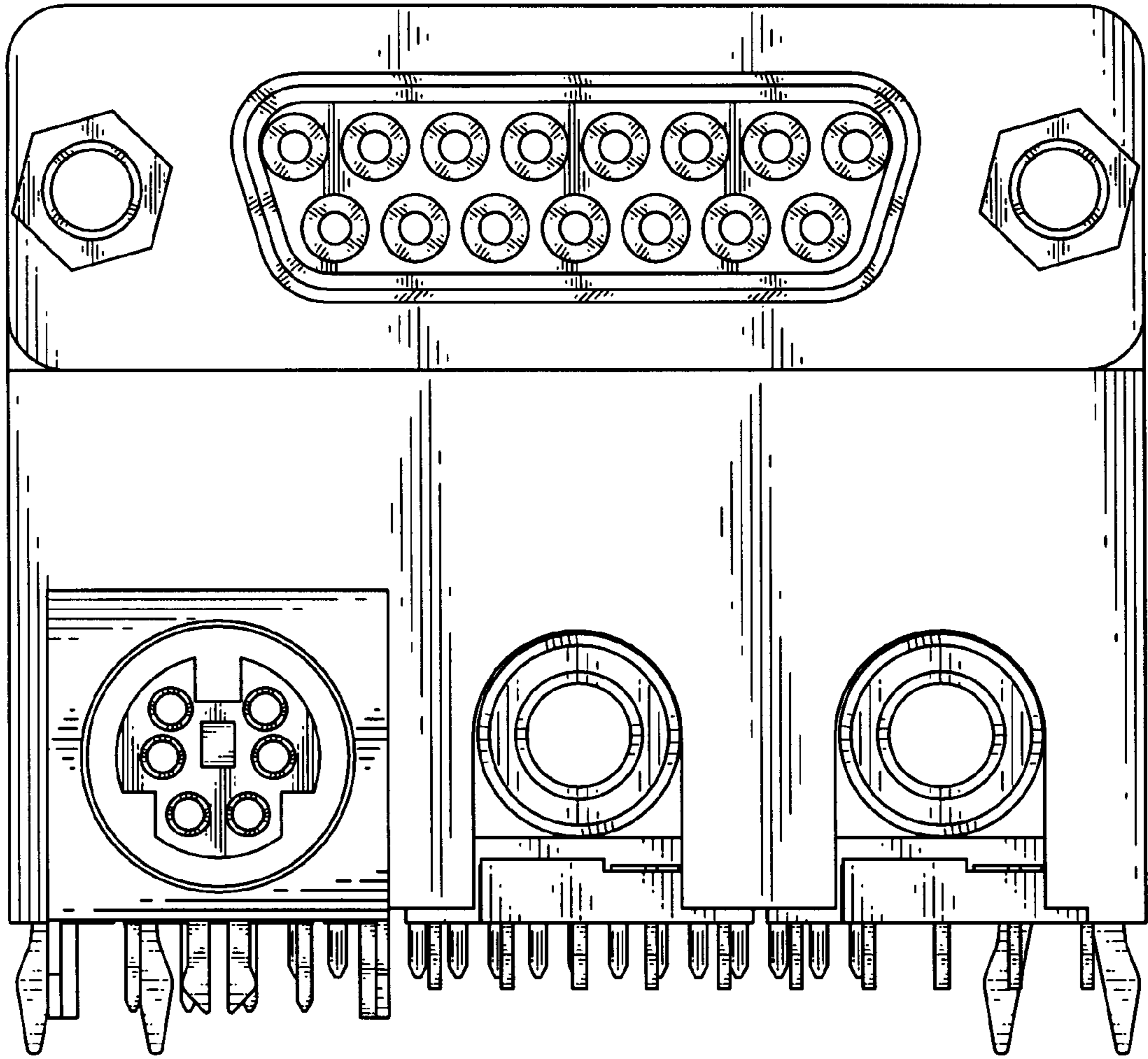


FIG. 2

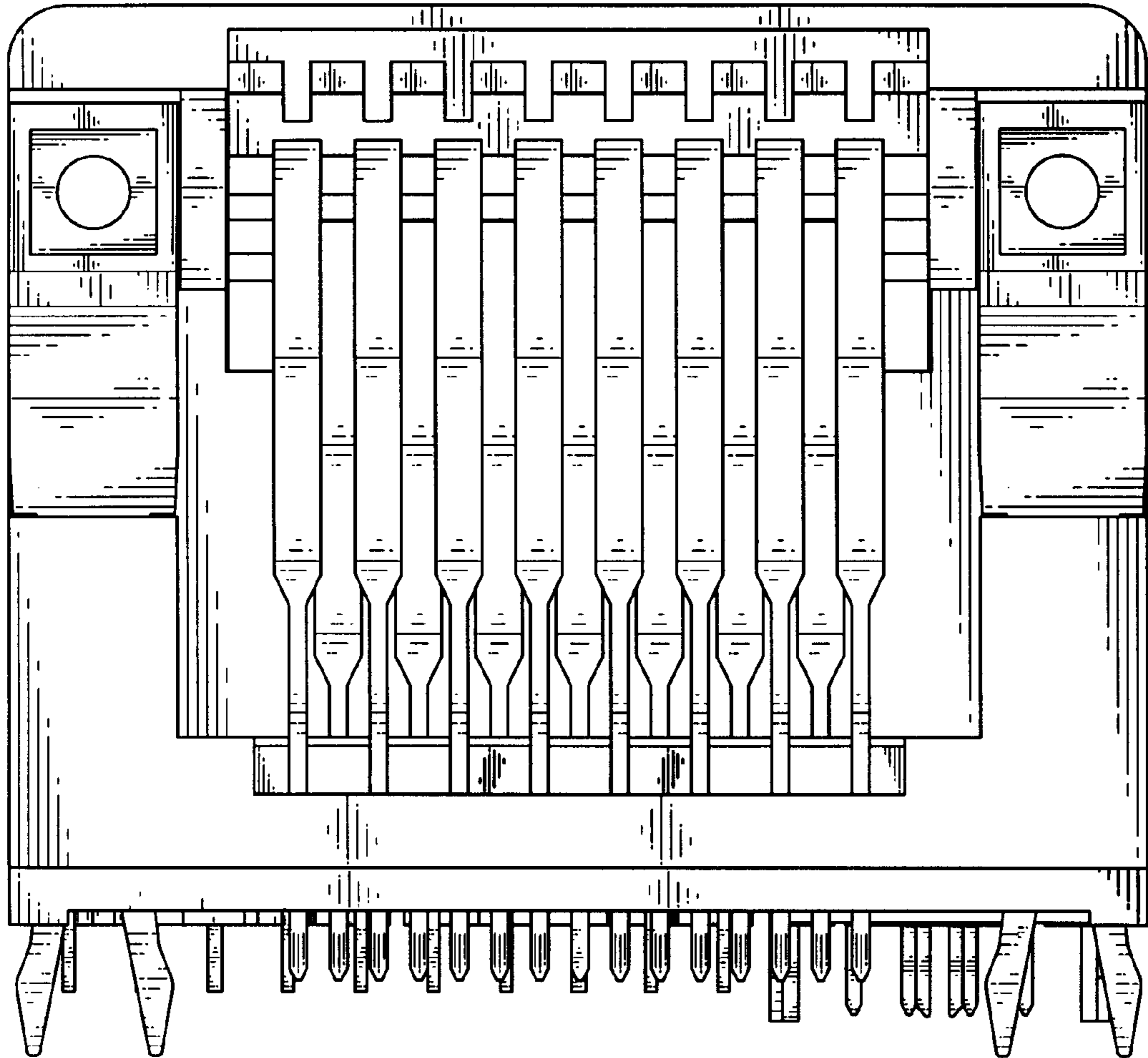


FIG. 3

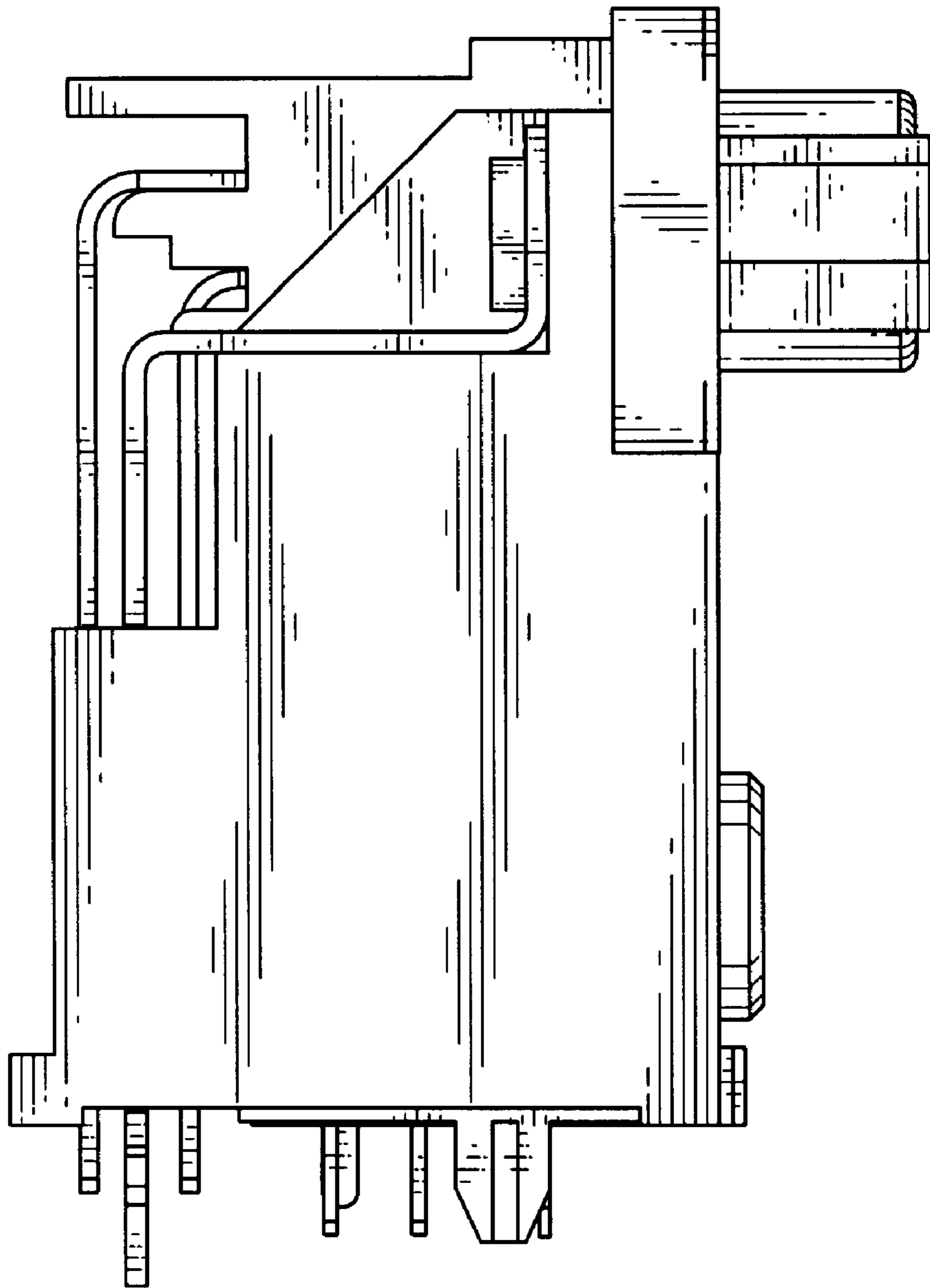


FIG. 4

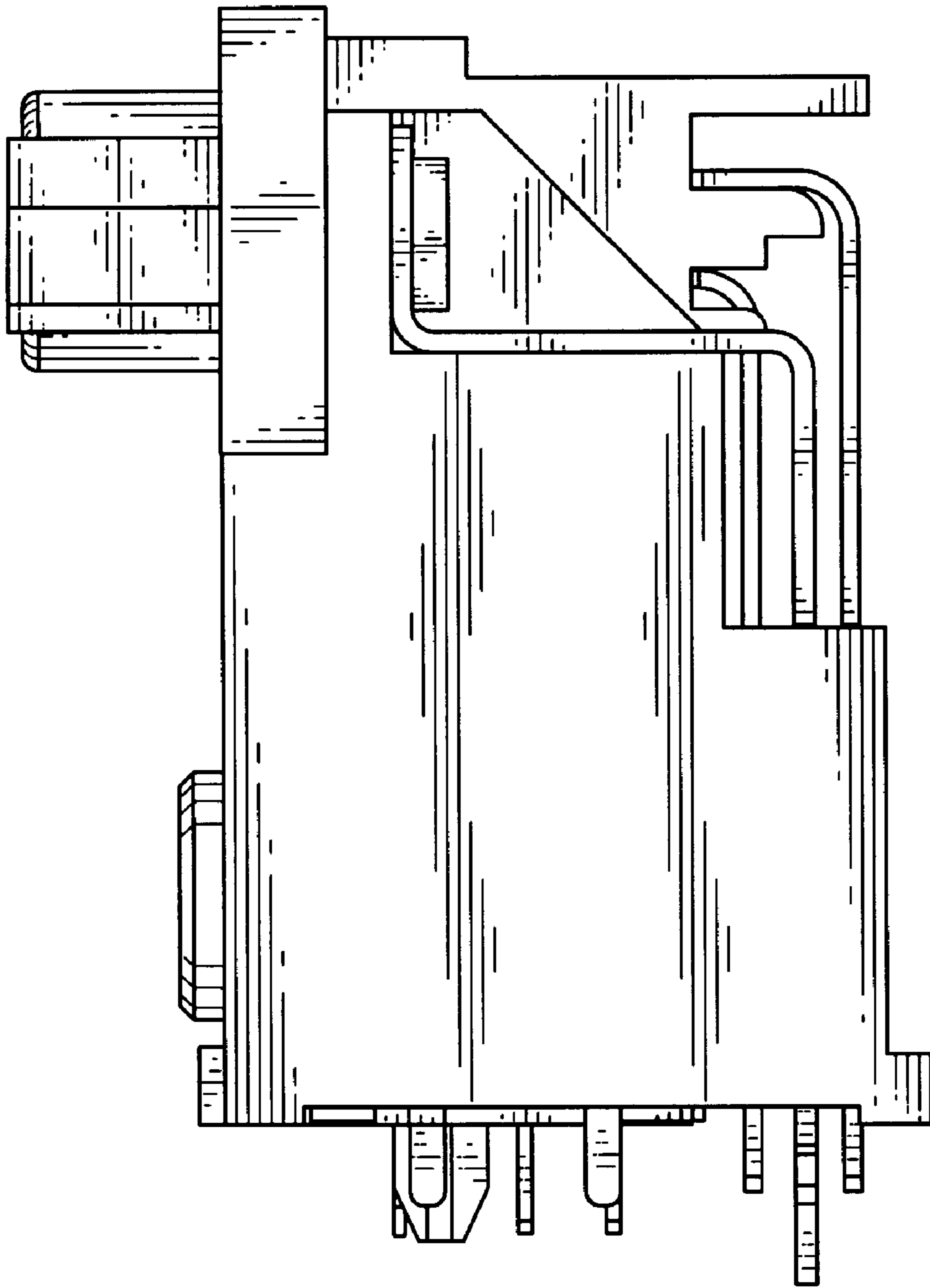


FIG. 5

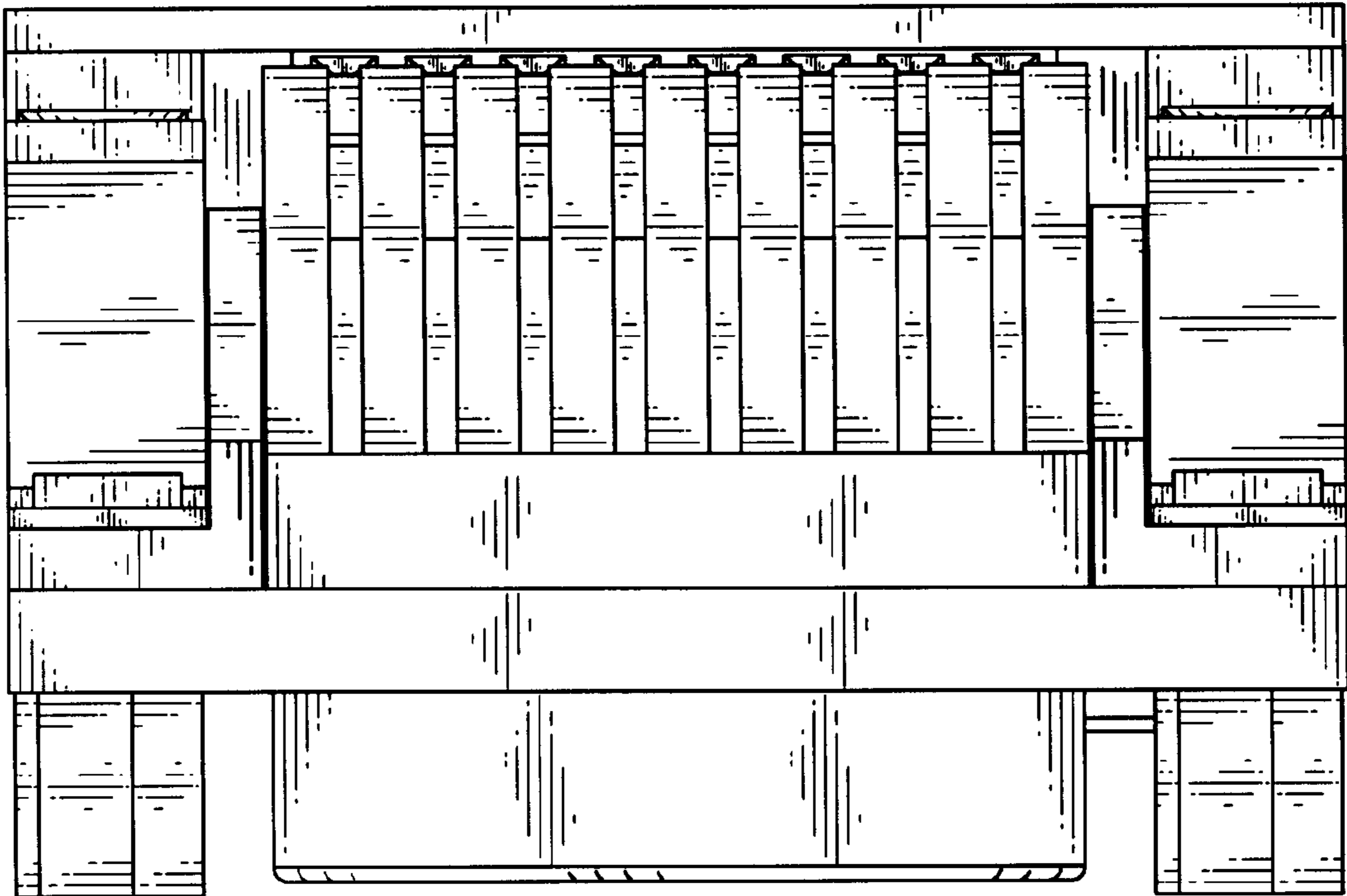


FIG. 6

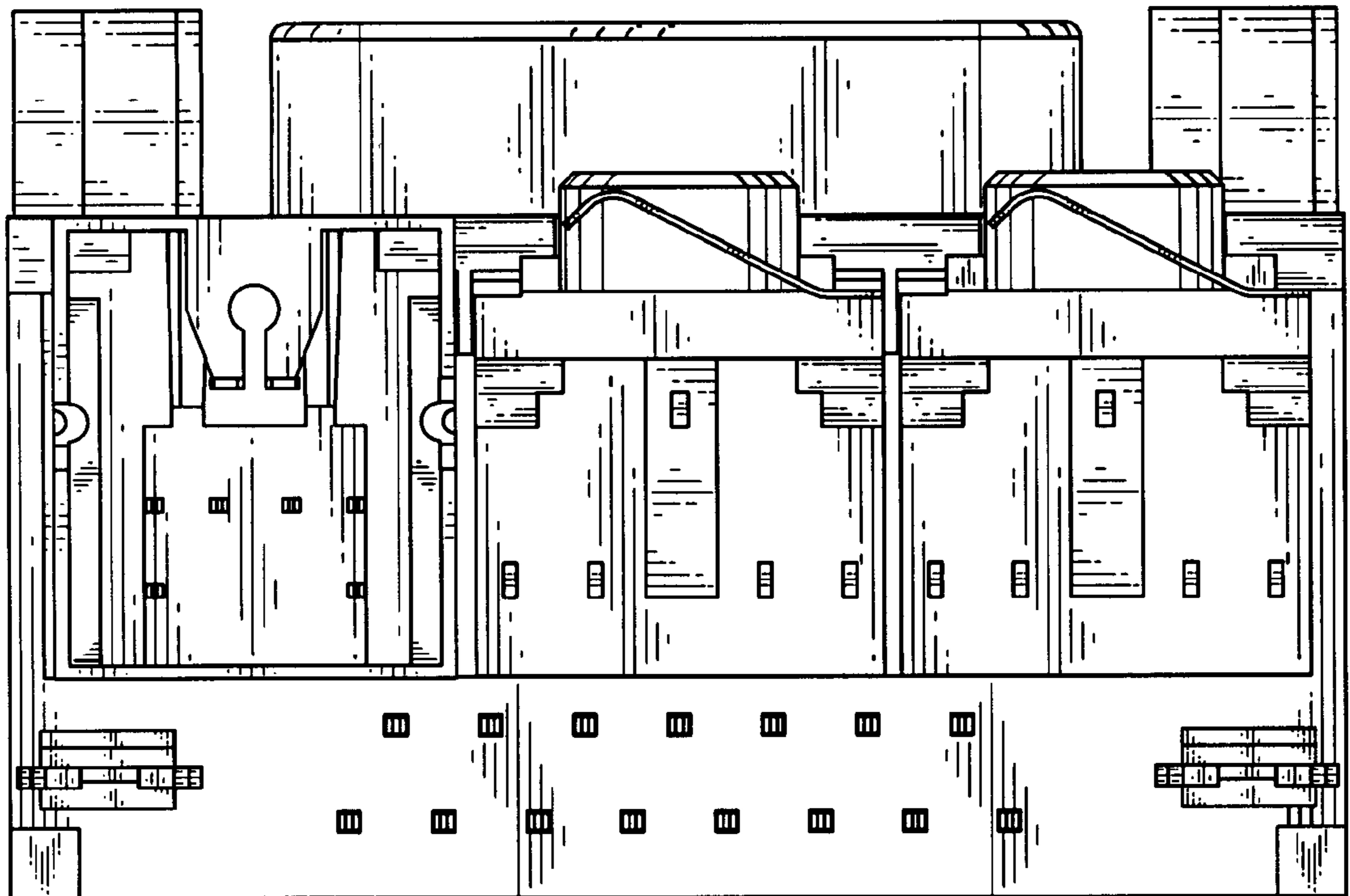


FIG. 7