



US00D420976S

United States Patent [19]

Kovacik et al.

[11] Patent Number: Des. 420,976

[45] Date of Patent: ** Feb. 22, 2000

[54] MALE ELECTRICAL CONNECTOR WITH OVERLOAD PROTECTION

[75] Inventors: James D. Kovacik, Brecksville; Paul S. Blanch, Broadview Heights; Stanley E. Grzywna, Elyria, all of Ohio

[73] Assignee: Alert Safety Lite Products Co., Inc., Bedford Heights, Ohio

[**] Term: 14 Years

[21] Appl. No.: 29/097,266

[22] Filed: Dec. 2, 1998

[51] LOC (7) Cl. 13-03

[52] U.S. Cl. D13/138.2

[58] Field of Search D13/137.1, 137.3, D13/138.1, 138.2, 139.6; 439/620, 621, 622; 337/198, 197, 213; 200/51 R

[56] **References Cited**

U.S. PATENT DOCUMENTS

| | | | |
|------------|---------|---------------------|-----------|
| D. 332,252 | 1/1993 | Kovacik et al. . | |
| D. 357,459 | 4/1995 | Warden | D13/138.2 |
| D. 367,845 | 3/1996 | Jacobs | D13/138.2 |
| D. 400,503 | 11/1998 | Burwell et al. | D13/138.2 |
| D. 401,904 | 12/1998 | Burke et al. | D13/138.2 |

| | | | |
|-----------|---------|------------------|-----------|
| 4,196,409 | 4/1980 | Juba | 337/198 |
| 4,307,925 | 12/1981 | Drew . | |
| 4,418,978 | 12/1983 | Shamir | 439/622 X |
| 4,592,613 | 6/1986 | Tong . | |
| 4,758,184 | 7/1988 | Call . | |
| 5,167,535 | 12/1992 | Kovacik et al. . | |

Primary Examiner—Susan J. Lucas
Assistant Examiner—Jennifer Rivard
Attorney, Agent, or Firm—MacMillan, Sobanski & Todd, LLC

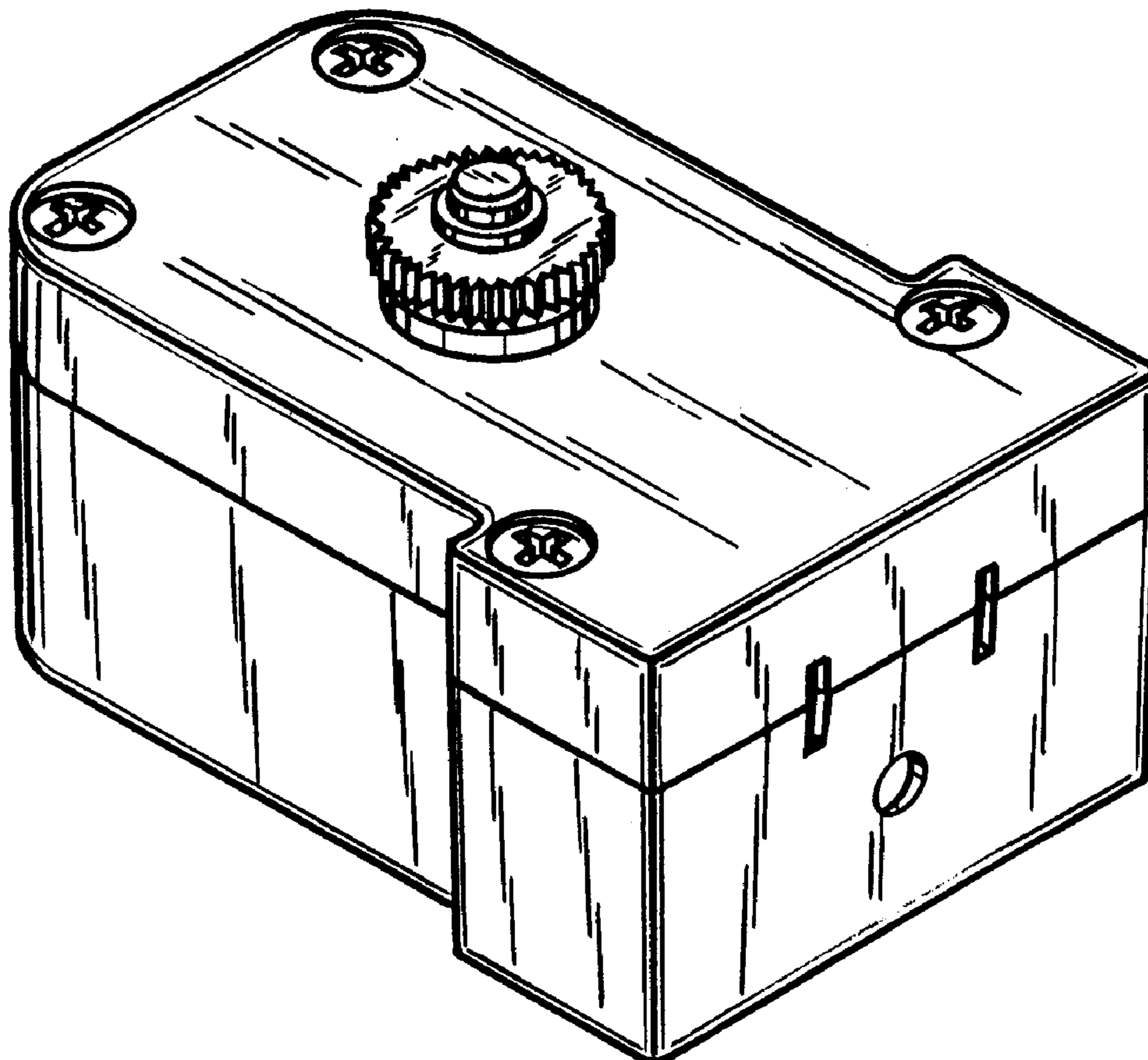
[57] **CLAIM**

We claim the ornamental design for the male electrical connector with overload protection, as shown and described.

DESCRIPTION

FIG. 1 is a perspective view of the male electrical connector with overload protection of the present invention; FIG. 2 is a front elevation view thereof; FIG. 3 is a rear elevation view thereof; FIG. 4 is a top plan view thereof, the broken lines showing a cord and male prongs are for illustrative purposes only and form no part of the claimed design; FIG. 5 is a left side elevation view thereof, the right side elevation view is a mirror image; and, FIG. 6 is a bottom plan view thereof.

1 Claim, 2 Drawing Sheets



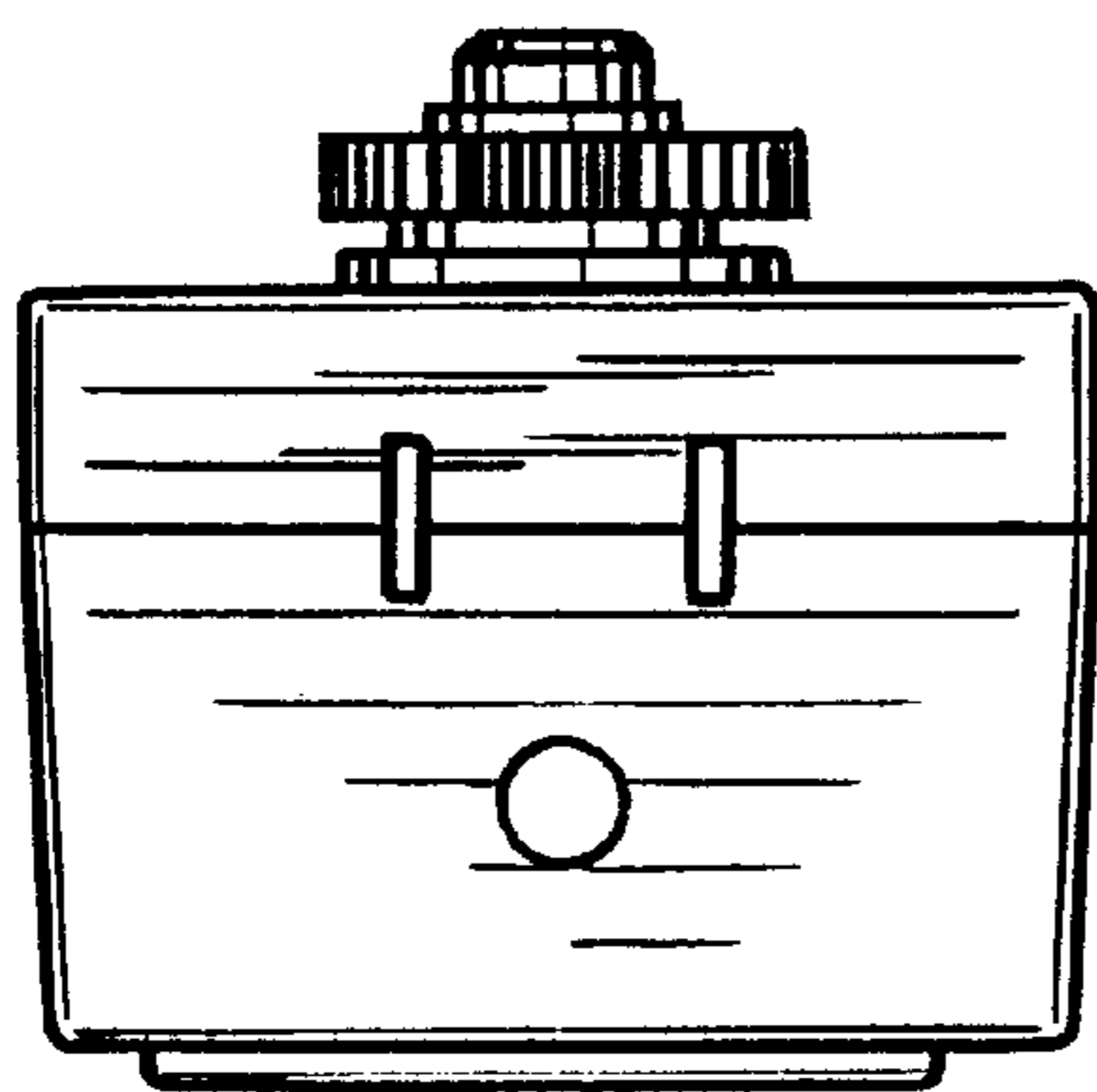


FIG. 2

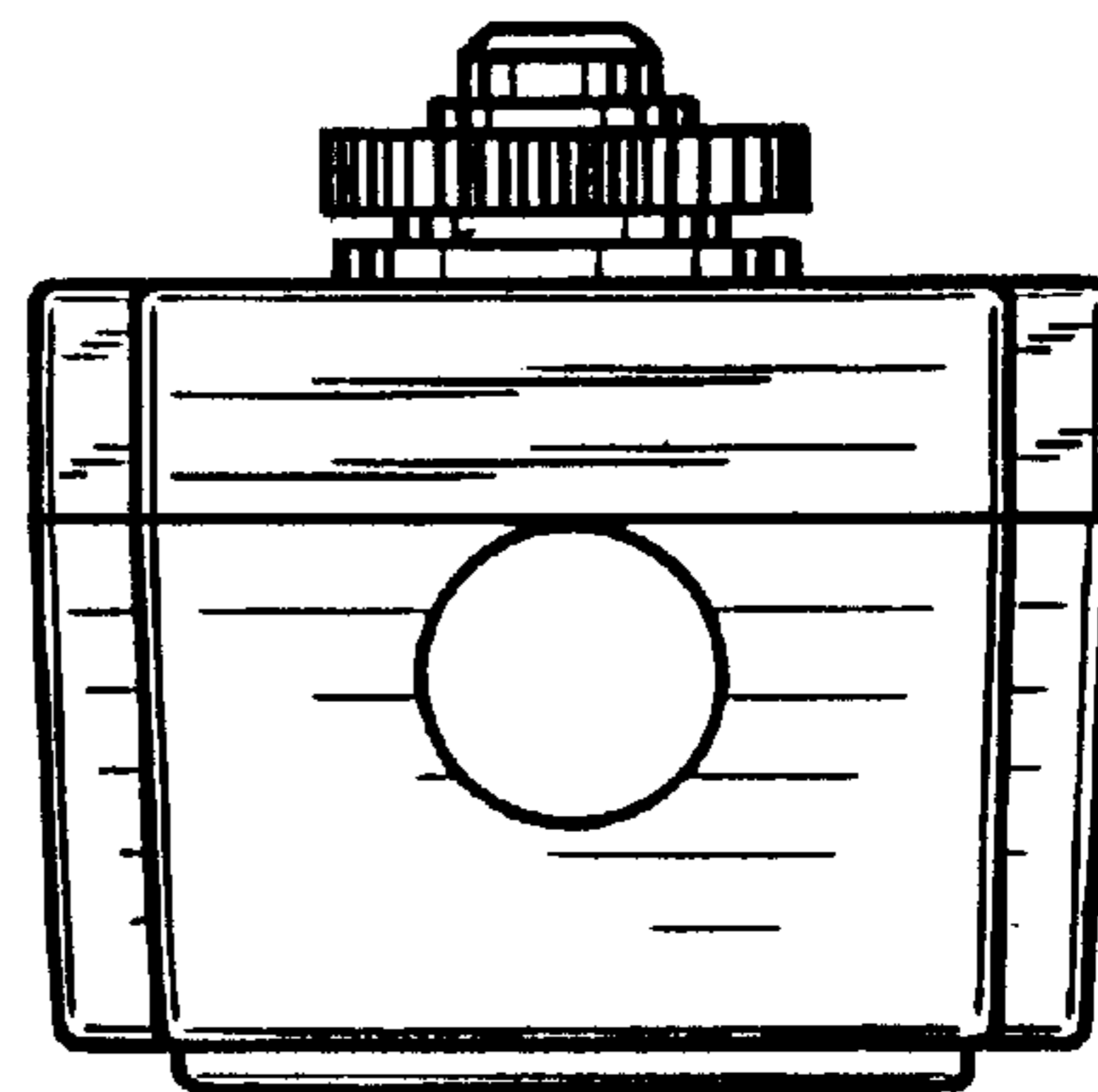


FIG. 3

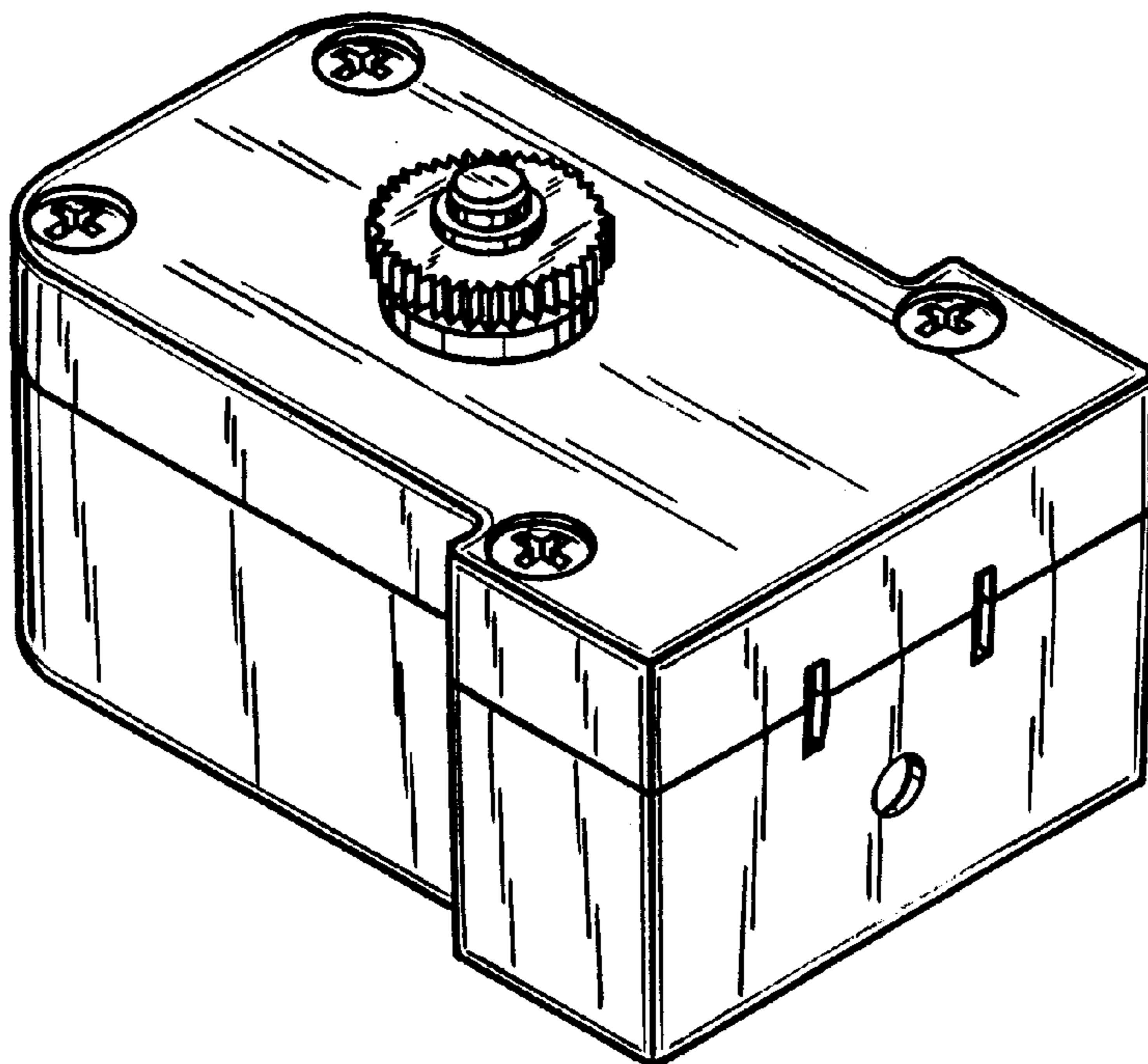


FIG. 1

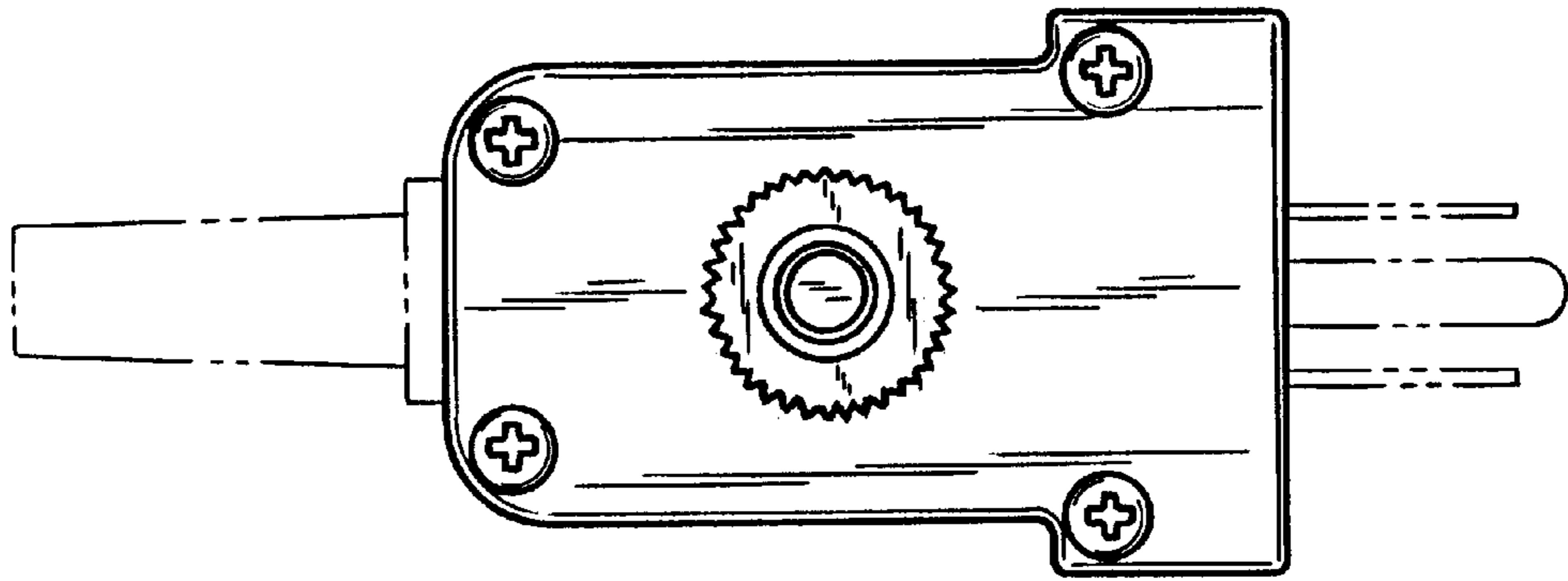


FIG. 4

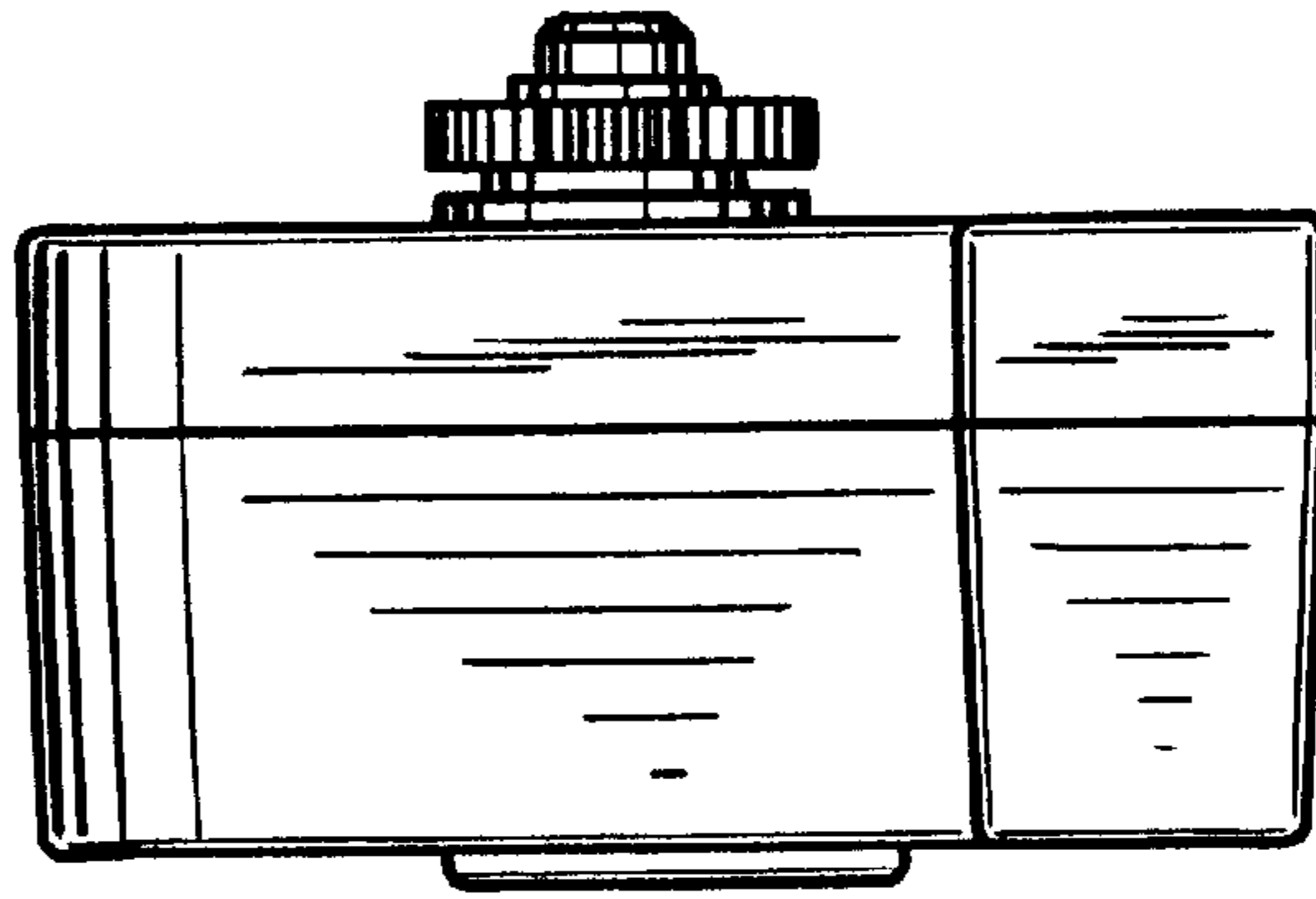


FIG. 5

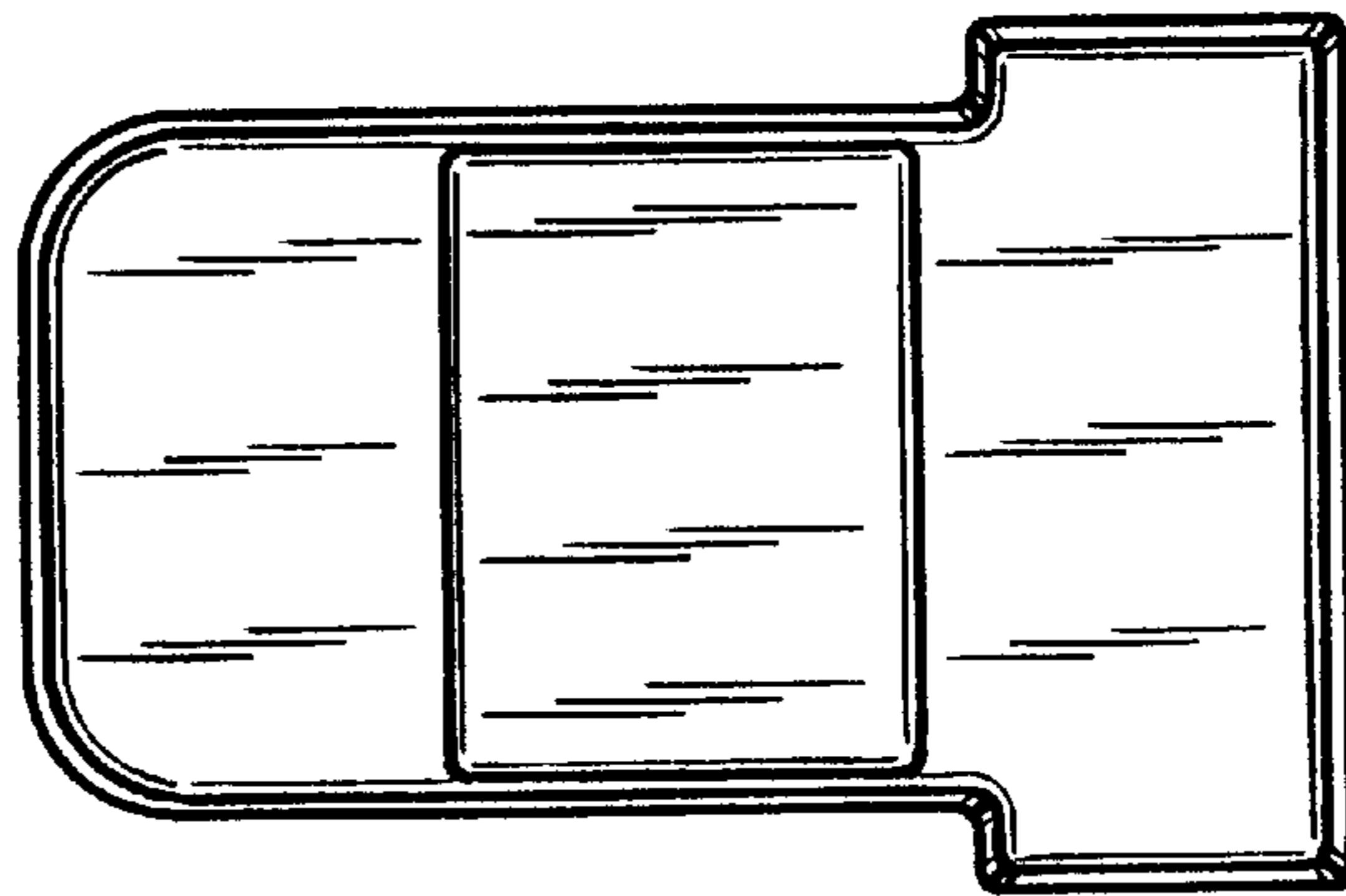


FIG. 6