



US00D420975S

United States Patent [19]

Honda

[11] Patent Number: **Des. 420,975**

[45] Date of Patent: **** Feb. 22, 2000**

[54] **HAND OPERATED DYNAMO**

4,746,806 5/1988 Campagnuolo et al. 290/1 R

[75] Inventor: **Ikufumi Honda**, Hannou, Japan

FOREIGN PATENT DOCUMENTS

[73] Assignee: **Nippon Chemi-Con Corporation**,
Tokyo, Japan

63-89026 4/1988 Japan H02J 7/00

64-44134 2/1989 Japan H04B 1/16

419035 2/1992 Japan H04B 1/16

[**] Term: **14 Years**

Primary Examiner—Joel Sincavage
Attorney, Agent, or Firm—Hayes, Soloway, Hennessey,
Grossman & Hage PC

[21] Appl. No.: **29/093,414**

[22] Filed: **Sep. 10, 1998**

[57] CLAIM

[30] Foreign Application Priority Data

Mar. 11, 1998 [JP] Japan 10-6698

The ornamental design for a “hand operated dynamo,” as shown described.

[51] **LOC (7) Cl.** **13-02**

DESCRIPTION

[52] **U.S. Cl.** **D13/115**

FIG. 1 is a perspective view of a showing my new design; FIG. 2 is a view similar to FIG. 1, and illustrating the standing handle.

[58] **Field of Search** D13/115; 310/75 B

FIG. 3 is a top plan thereof, it being understood that the standing handle may be rotated around 360° to generate electricity;

[56] References Cited

U.S. PATENT DOCUMENTS

D. 216,700 3/1970 Mabuchi et al. D13/115

D. 217,349 4/1970 Mabuchi et al. D13/115

D. 217,673 5/1970 Mabuchi et al. D13/115

D. 408,411 4/1999 Hakoda D14/168

4,105,314 8/1978 Hughes, Jr. 353/85

4,452,445 6/1984 Csekcs 482/63

FIG. 4 is a side elevational view thereof;

FIG. 5 is a front elevational view thereof;

FIG. 6 is a rear elevational view thereof; and,

FIG. 7 is a bottom plan view thereof.

1 Claim, 2 Drawing Sheets

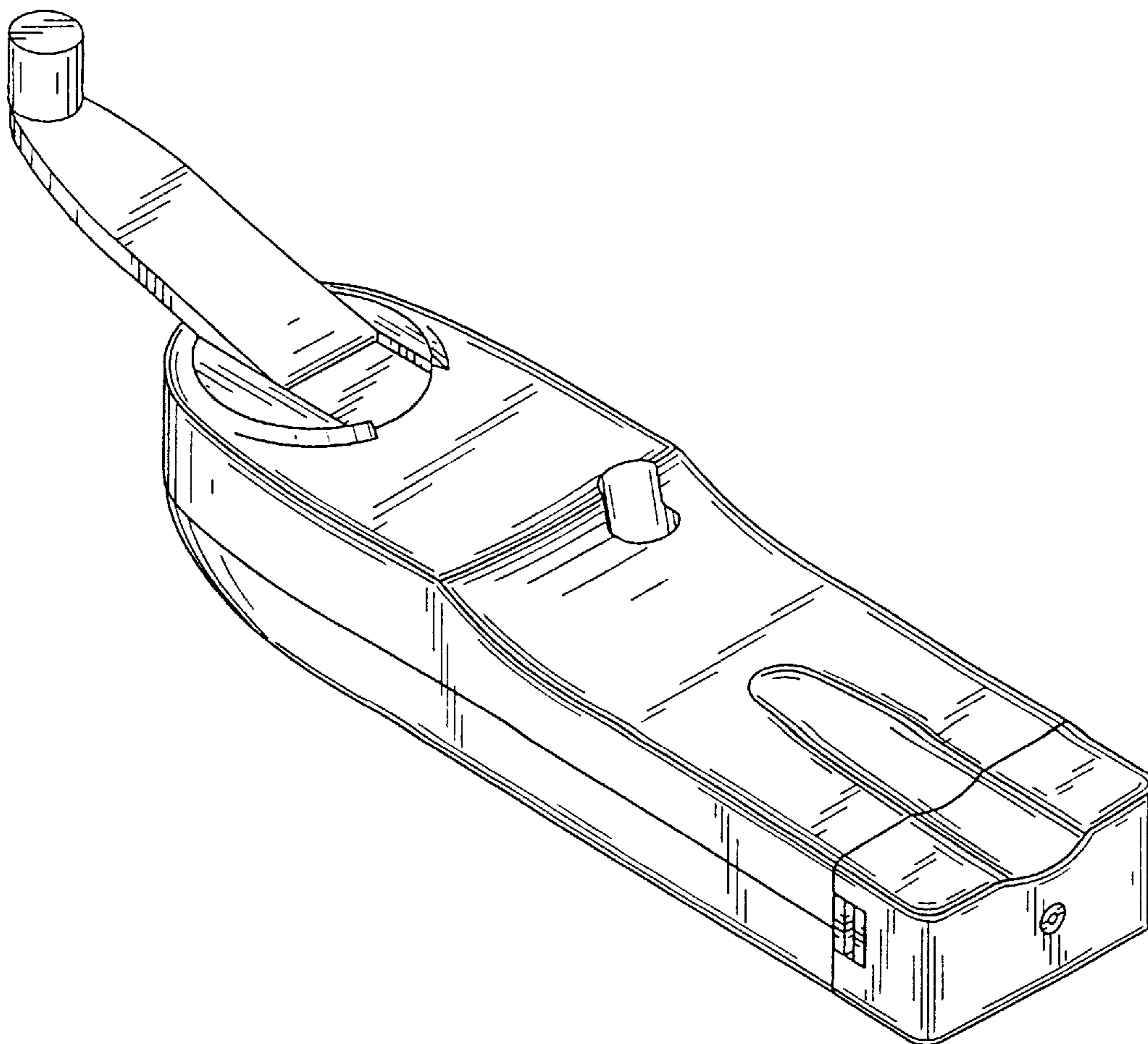


FIG. 1

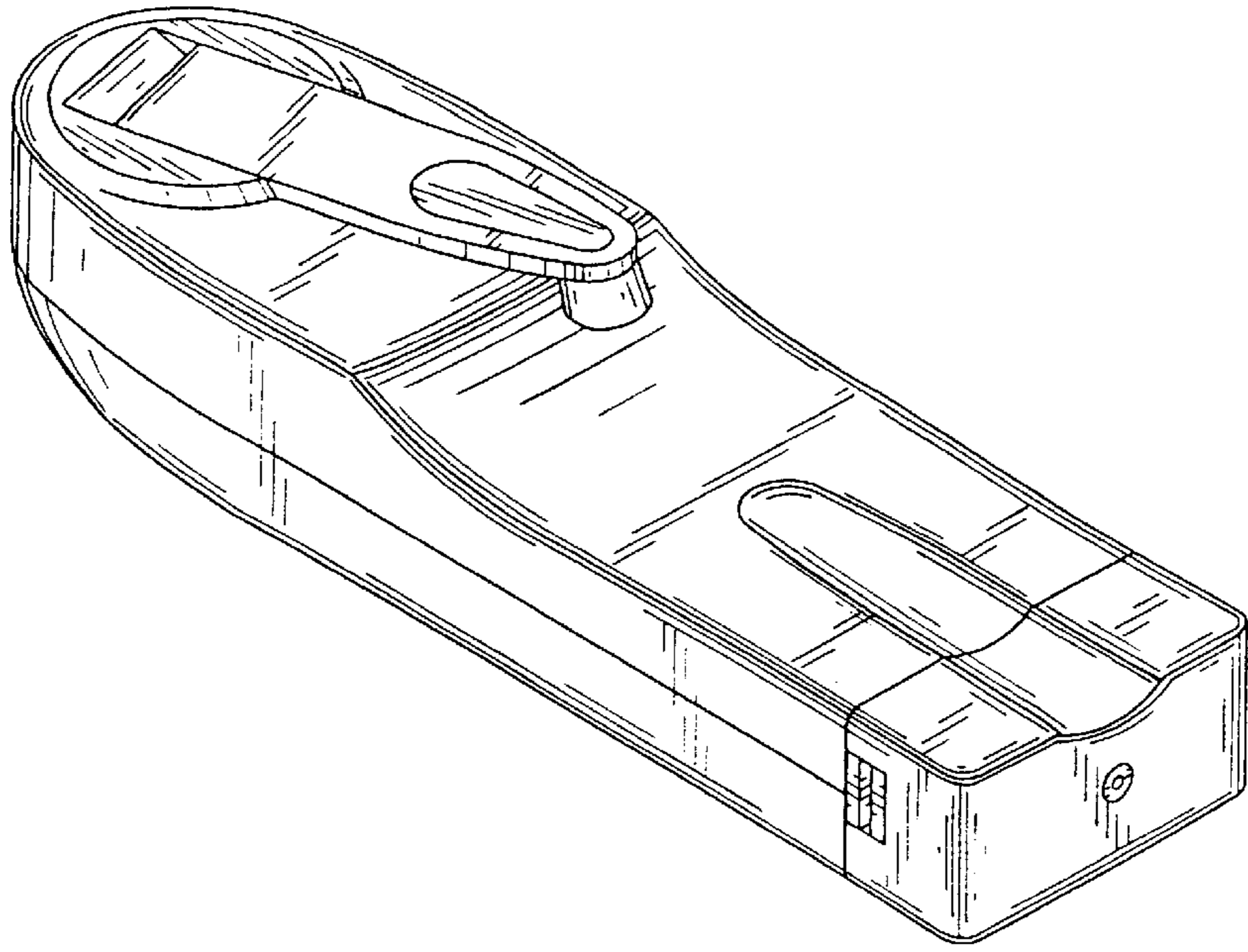


FIG. 2

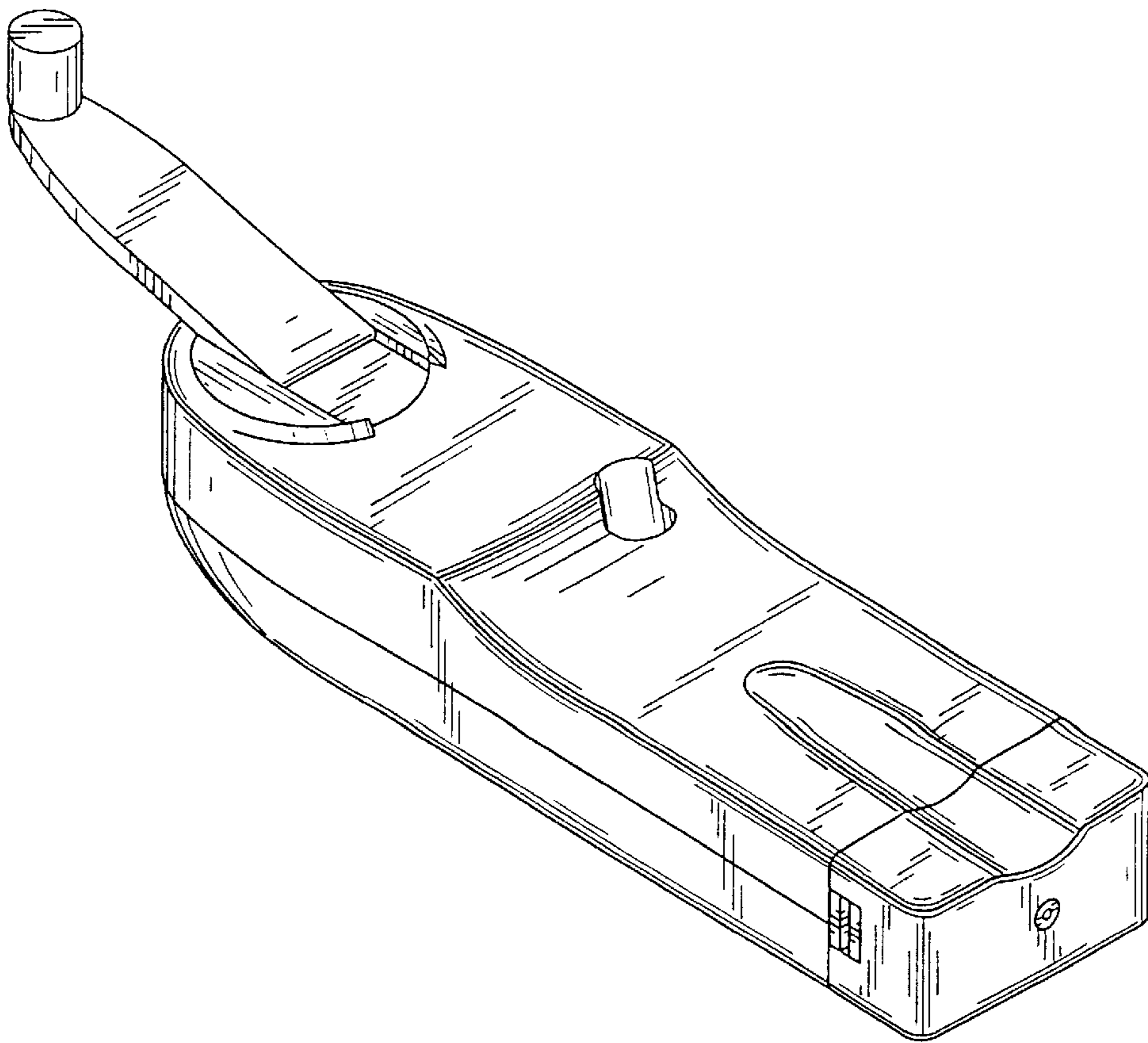


FIG. 3

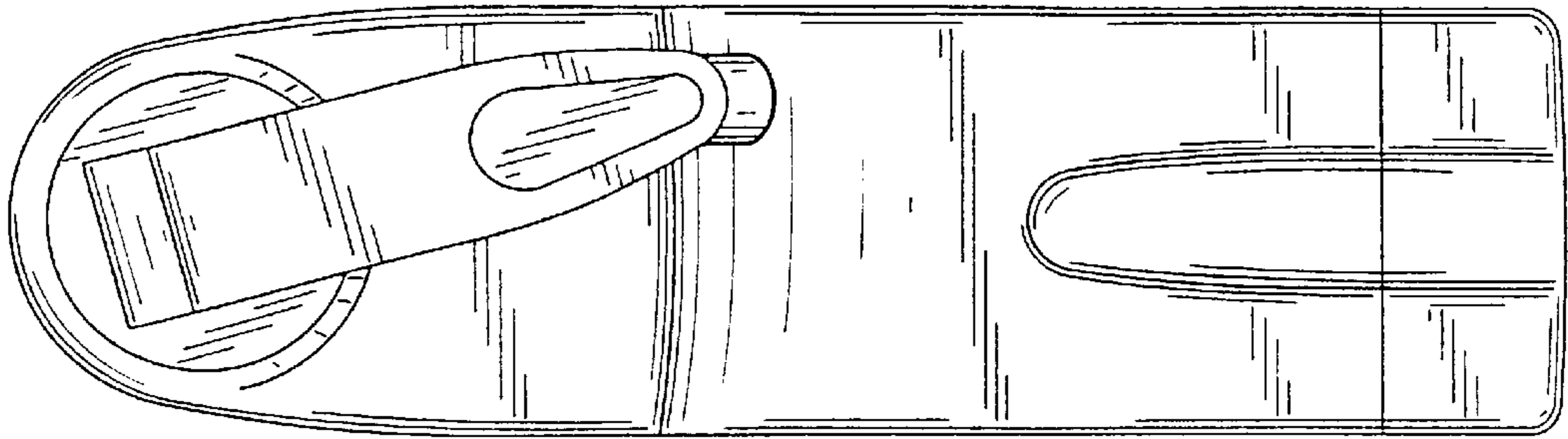


FIG. 4

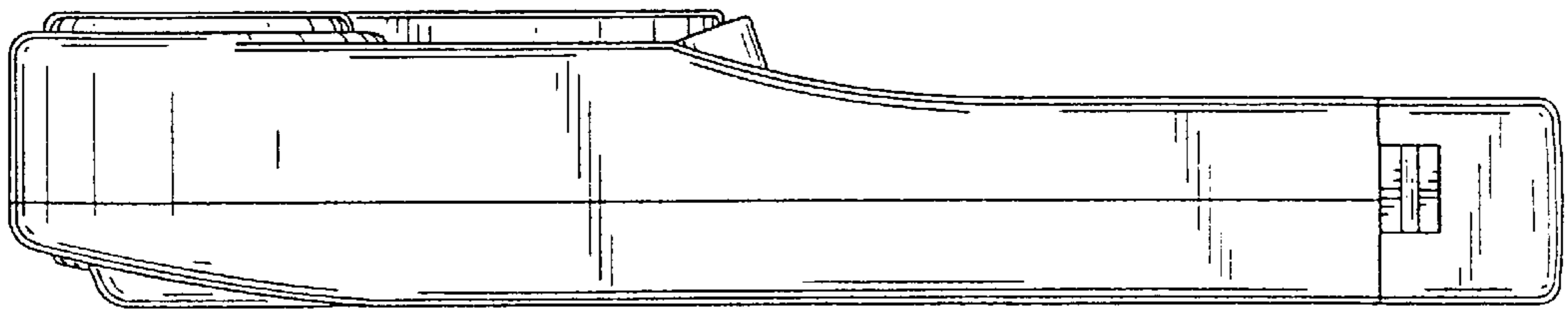


FIG. 5

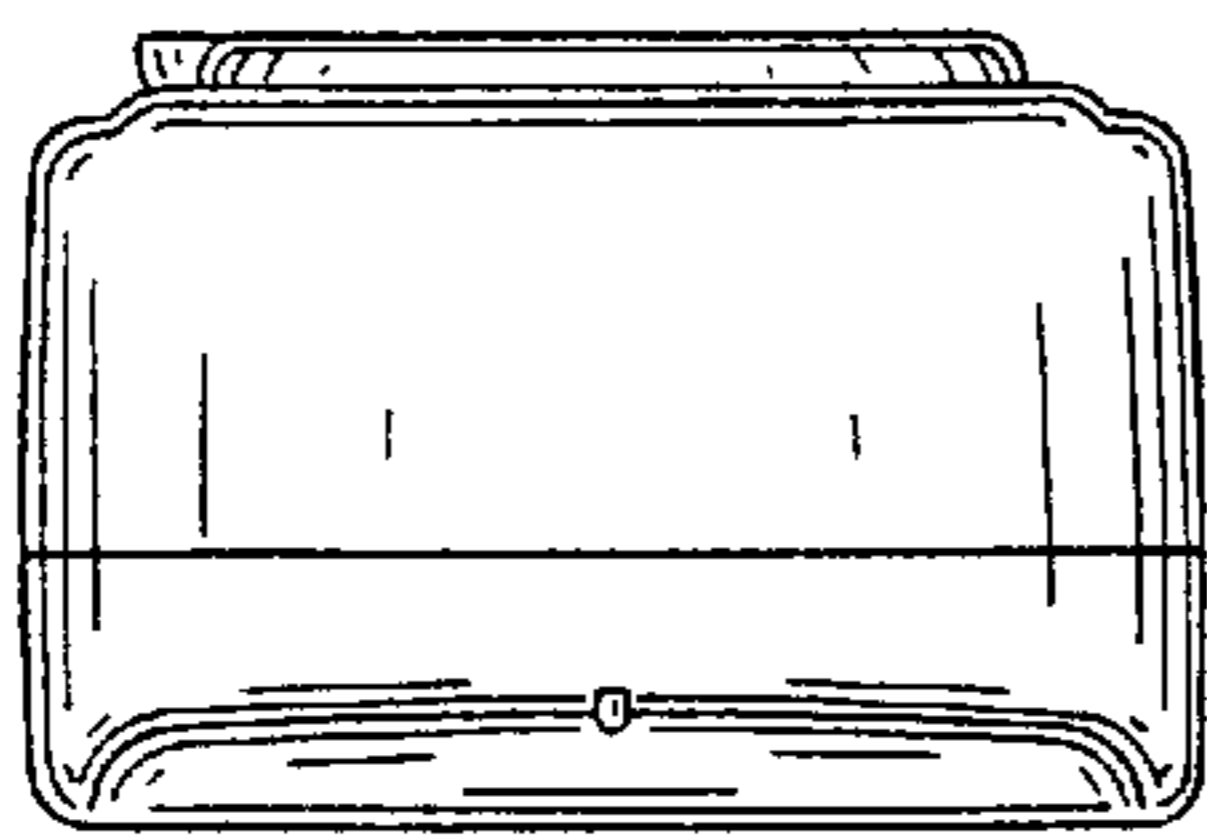


FIG. 6

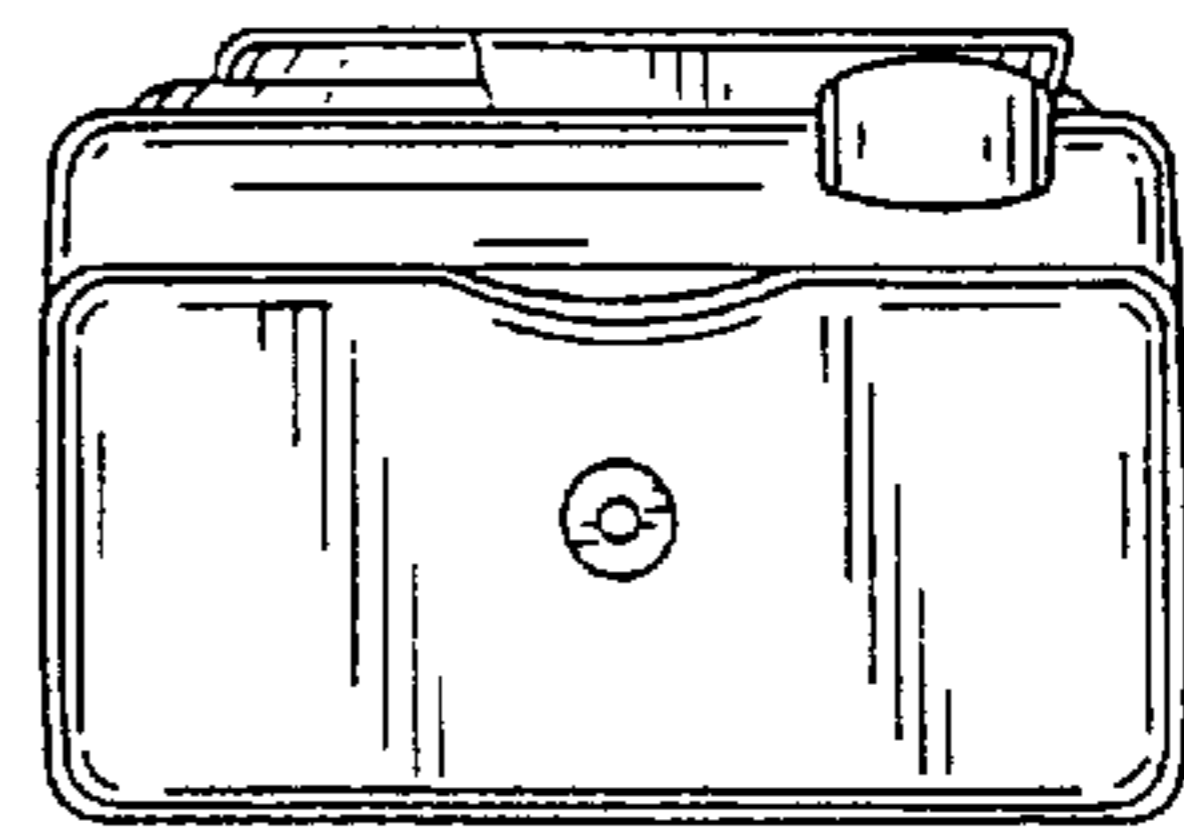
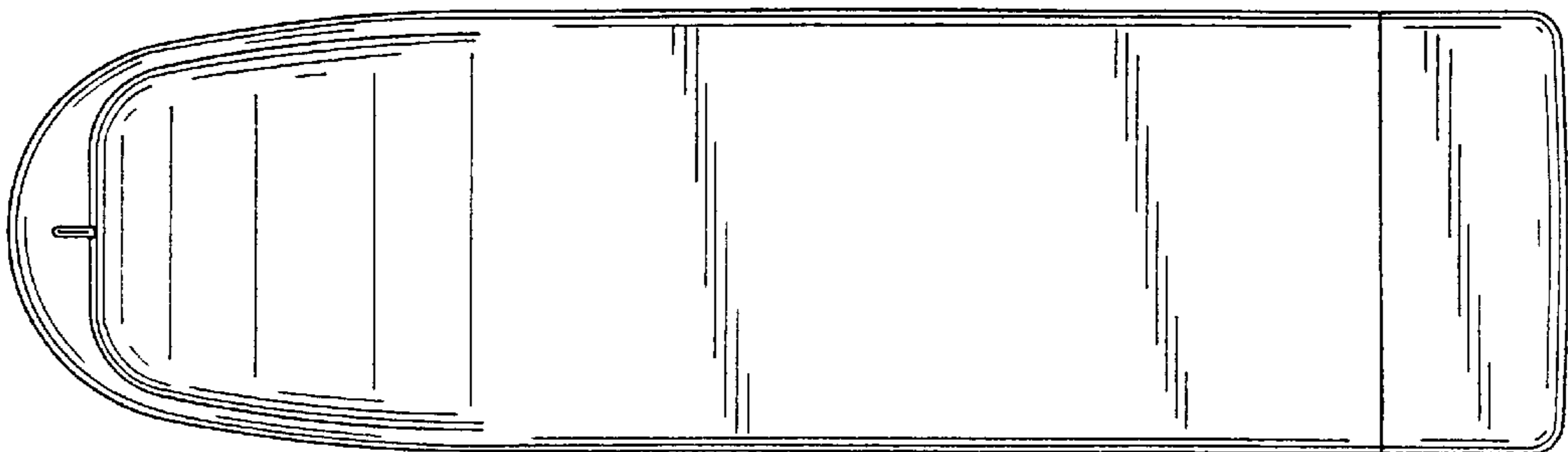


FIG. 7



UNITED STATES PATENT AND TRADEMARK OFFICE
CERTIFICATE OF CORRECTION

PATENT NO. : D420,975

DATED : February 22, 2000

INVENTOR(S) : Honda

It is certified that error appears in the above-identified patent and that said Letters Patent is hereby corrected as shown below:

On the title page, Item [75], "Hannou" should be --Saitama--.

Signed and Sealed this
Twenty-seventh Day of March, 2001



Attest:

NICHOLAS P. GODICI

Attesting Officer

Acting Director of the United States Patent and Trademark Office