



US00D420972S

United States Patent [19]

Brecher et al.

[11] Patent Number: **Des. 420,972**

[45] Date of Patent: **** Feb. 22, 2000**

[54] **ROTATING LASER**

[75] Inventors: **Matias Brecher**, W. Hartford; **John D. Howard**, Woodbury; **Joseph Martone**, Bristol, all of Conn.

[73] Assignee: **The Stanley Works**, New Britain, Conn.

[**] Term: **14 Years**

[21] Appl. No.: **29/092,232**

[22] Filed: **Aug. 14, 1998**

[51] **LOC (7) Cl.** **13-02**

[52] **U.S. Cl.** **D13/101**

[58] **Field of Search** D13/101; 356/141.1, 356/141.3, 138, 152.1; 33/DIG. 21

[56] **References Cited**

U.S. PATENT DOCUMENTS

D. 383,075 9/1997 Sawaguchi et al. D10/66

4,767,208	8/1988	Cain et al.	356/138
4,815,840	3/1989	Benayad-Cherif et al.	356/141.3 X
4,830,489	5/1989	Cain et al.	356/141.1 X
5,689,330	11/1997	Gerard et al.	356/138
5,898,490	4/1999	Ohtomo et al.	356/141.3

Primary Examiner—Joel Sincavage
Attorney, Agent, or Firm—Pillsbury Madison & Sutro LLP

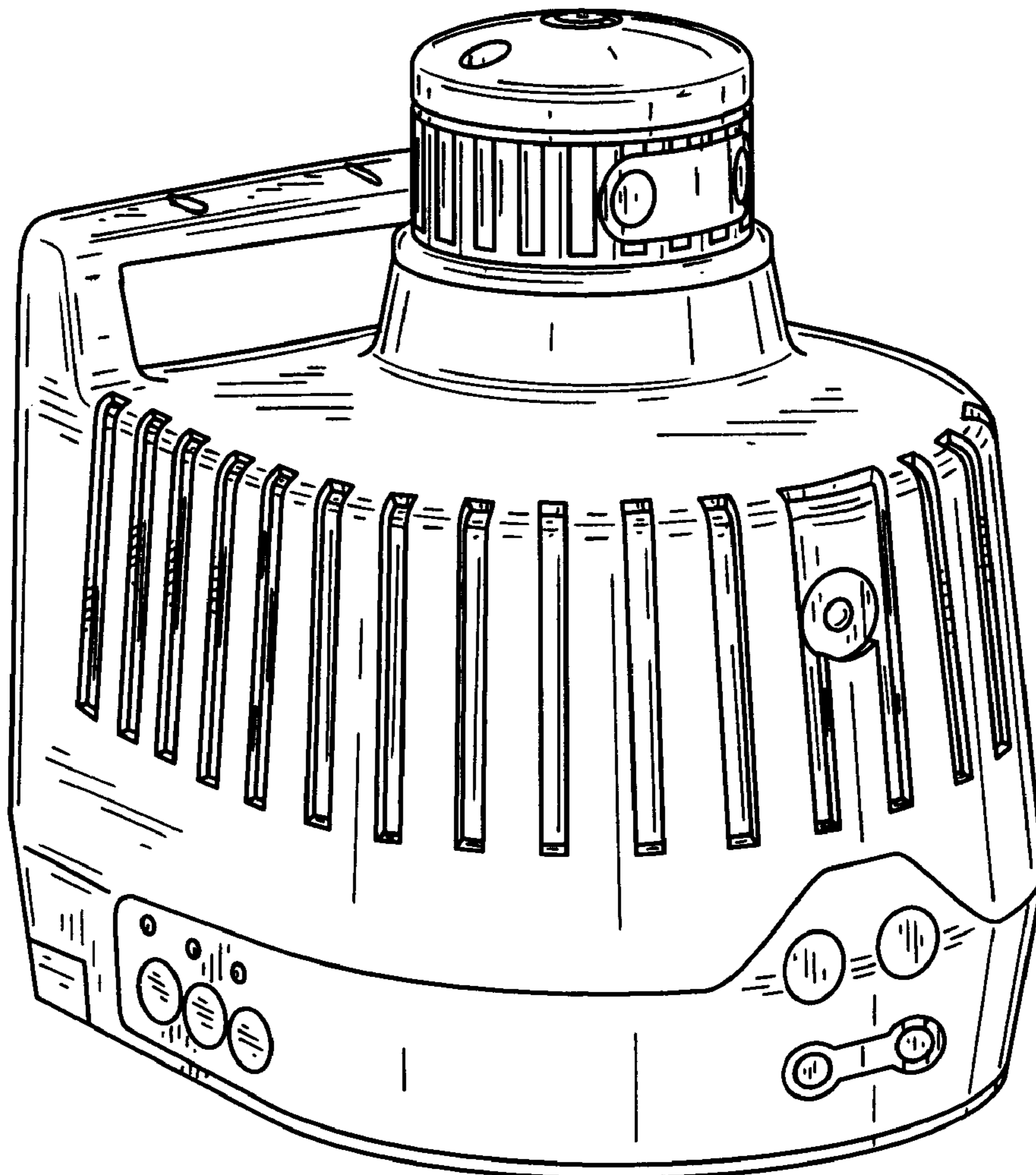
[57] **CLAIM**

The ornamental design for a rotating laser, as shown and described.

DESCRIPTION

FIG. 1 is a perspective view of a rotating laser showing our new design, looking down at the front and right side thereof; FIG. 2 is a right side elevational view thereof; FIG. 3 is a left side elevational view thereof; FIG. 4 is a front elevational view thereof; FIG. 5 is a rear elevational view thereof; FIG. 6 is a top plan view thereof; and, FIG. 7 is a bottom plan view thereof.

1 Claim, 4 Drawing Sheets



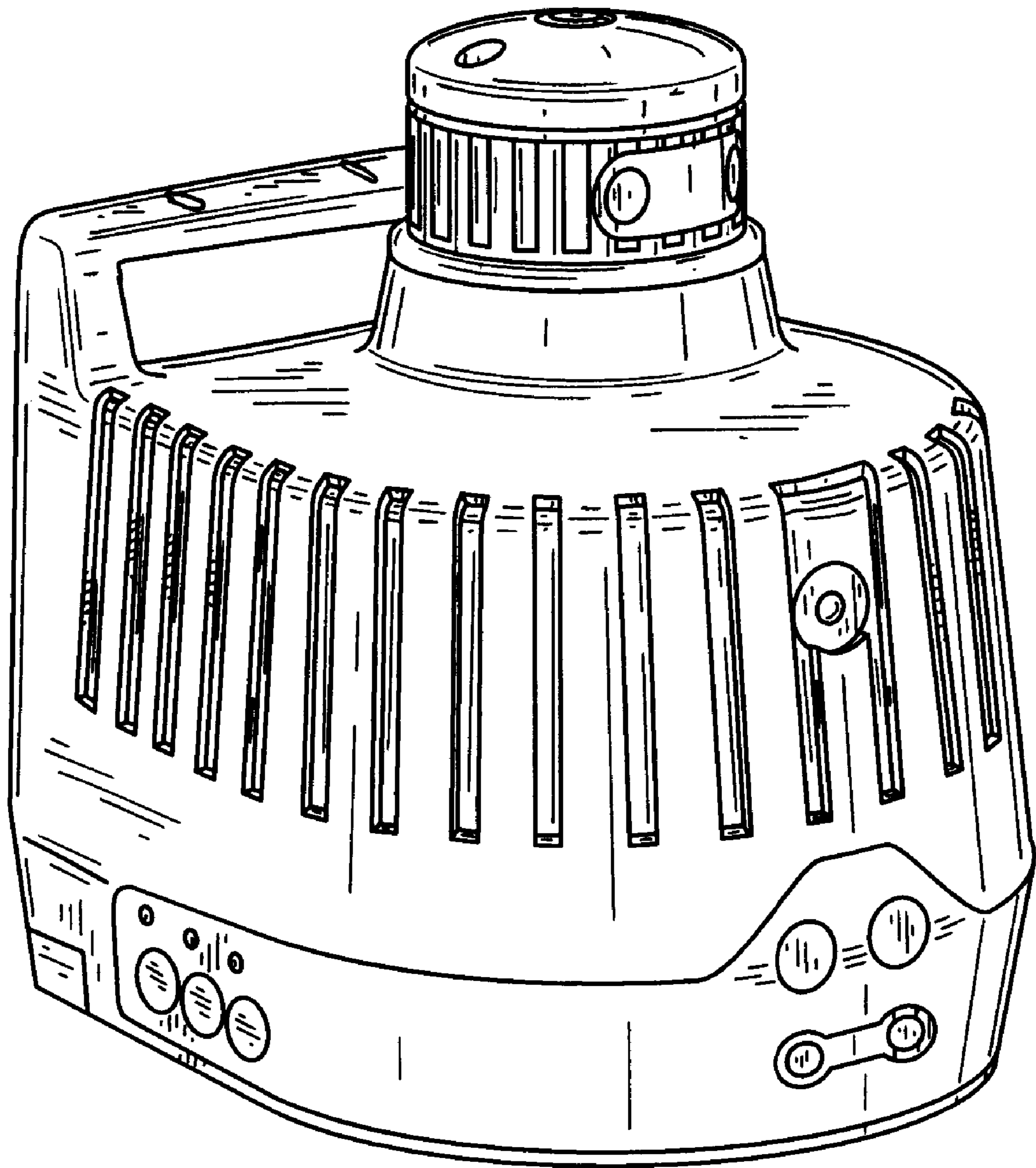


FIG. 1

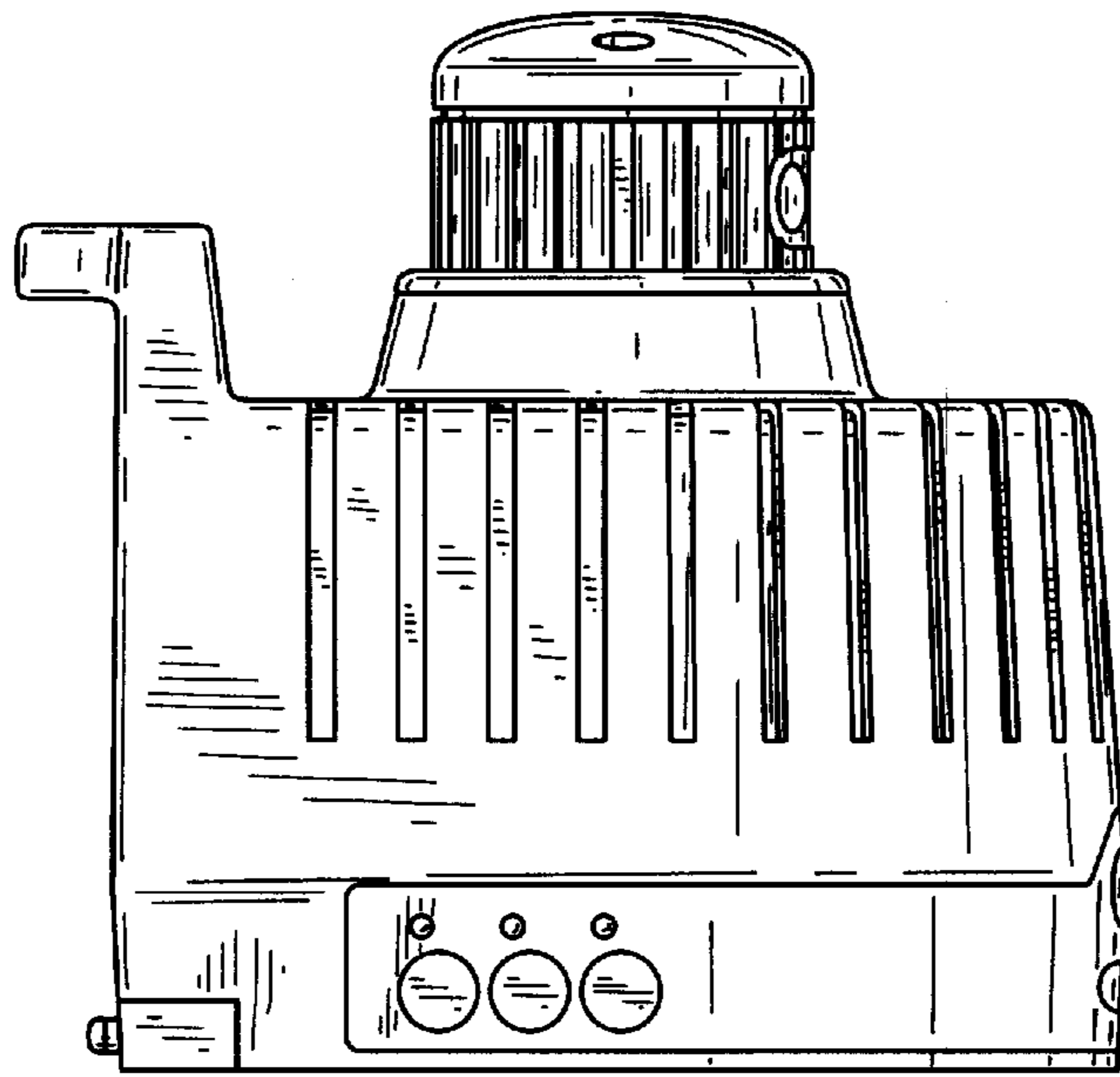


FIG. 2

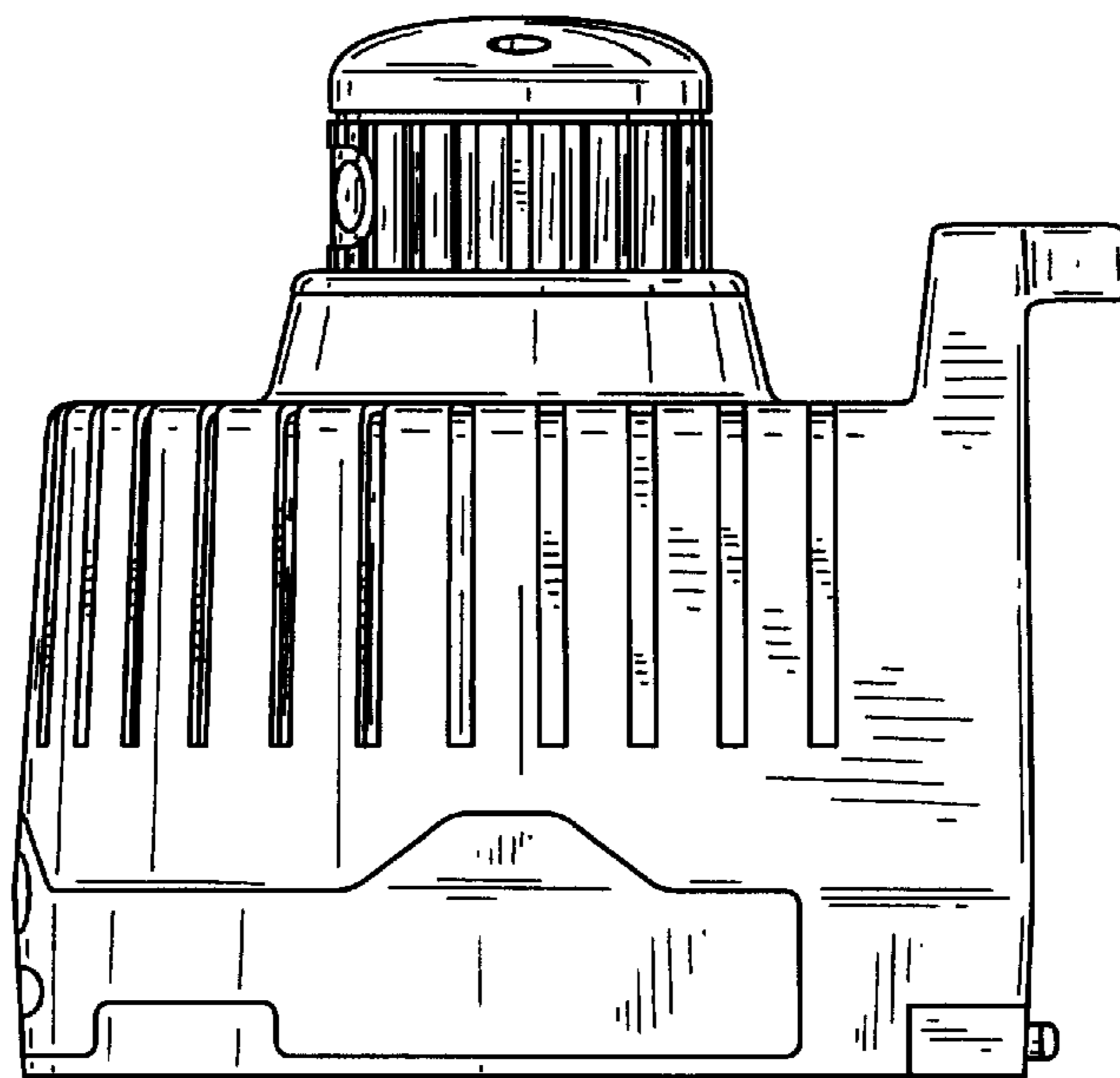


FIG. 3

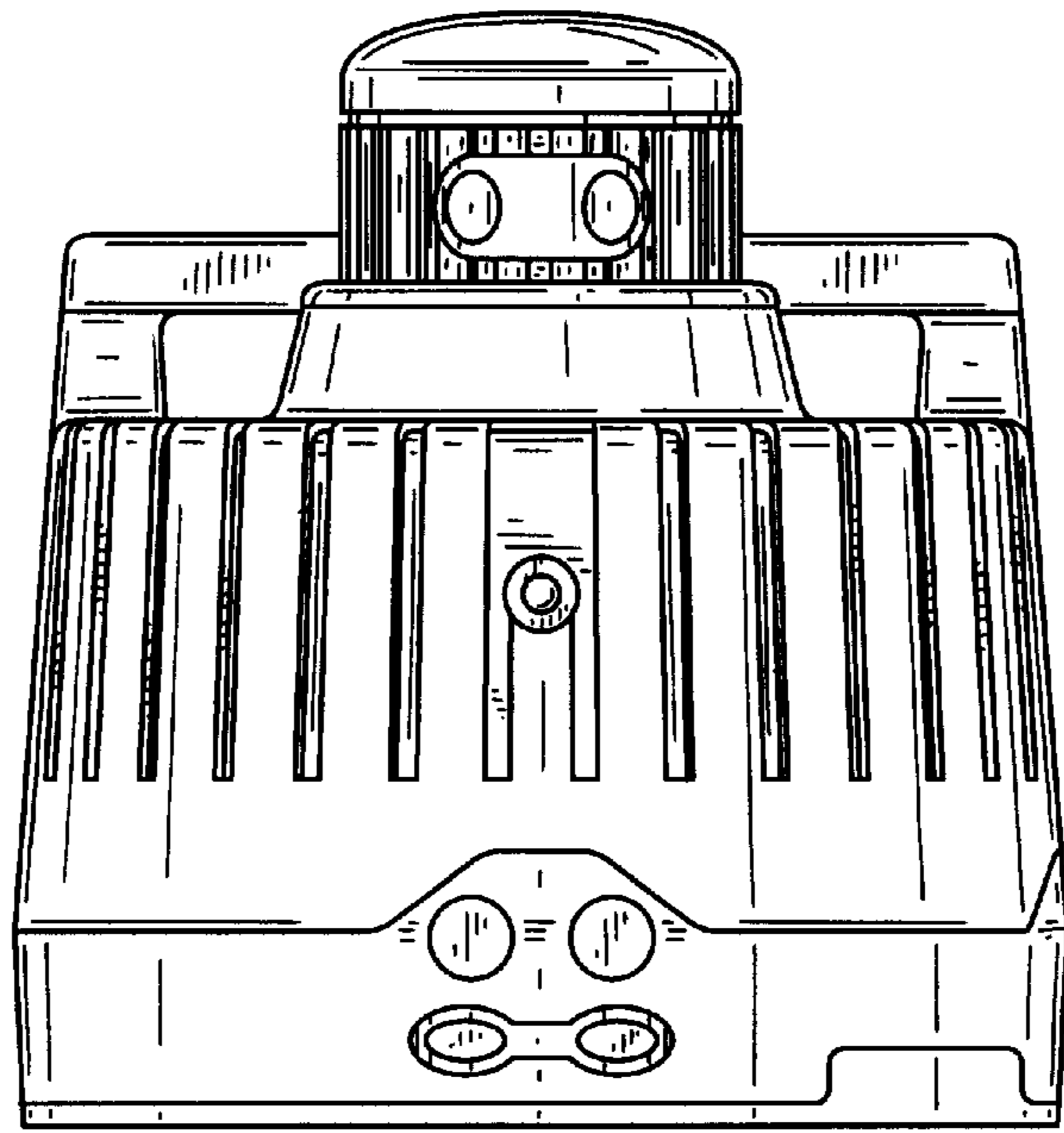


FIG. 4

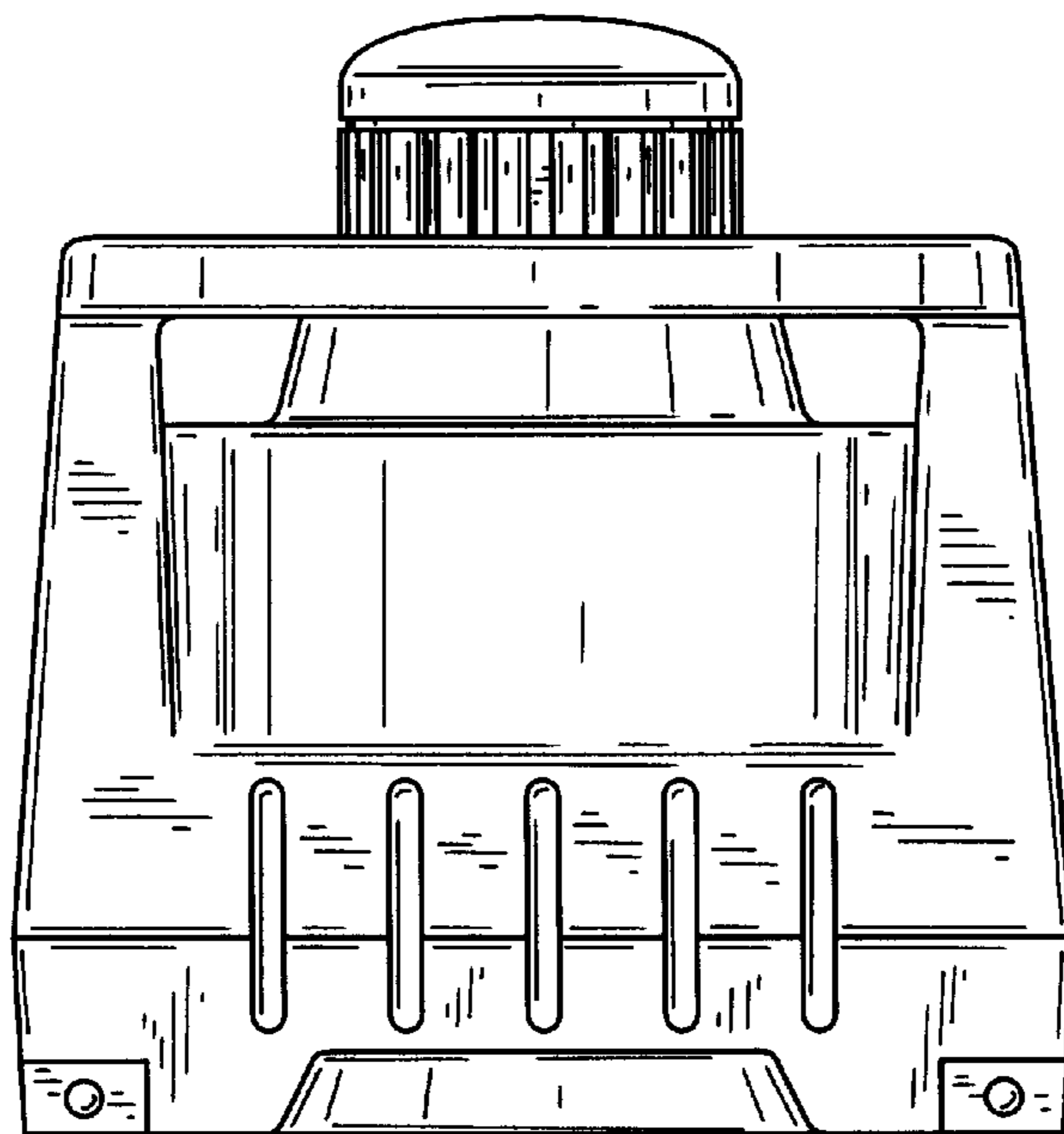


FIG. 5

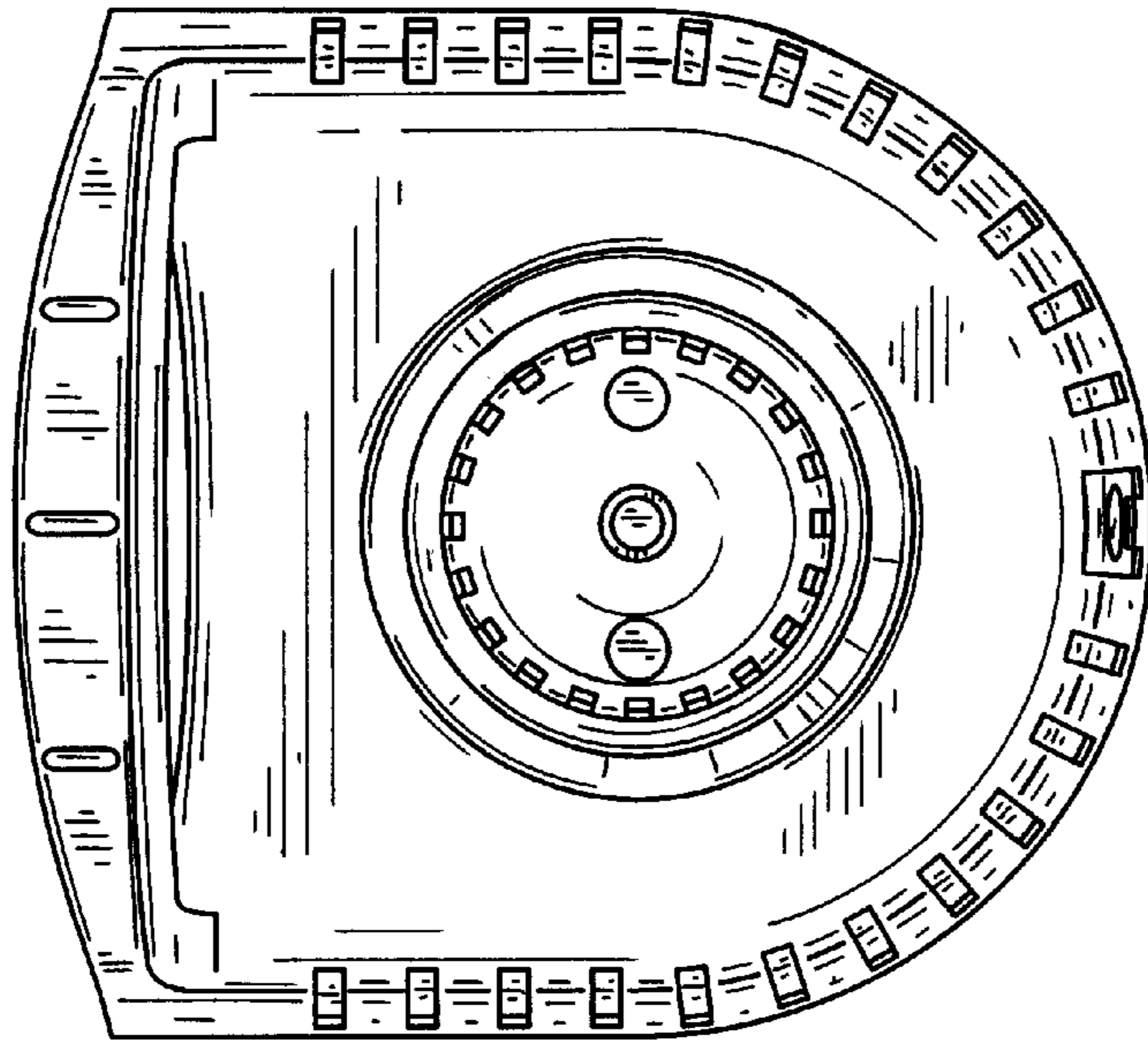


FIG. 6

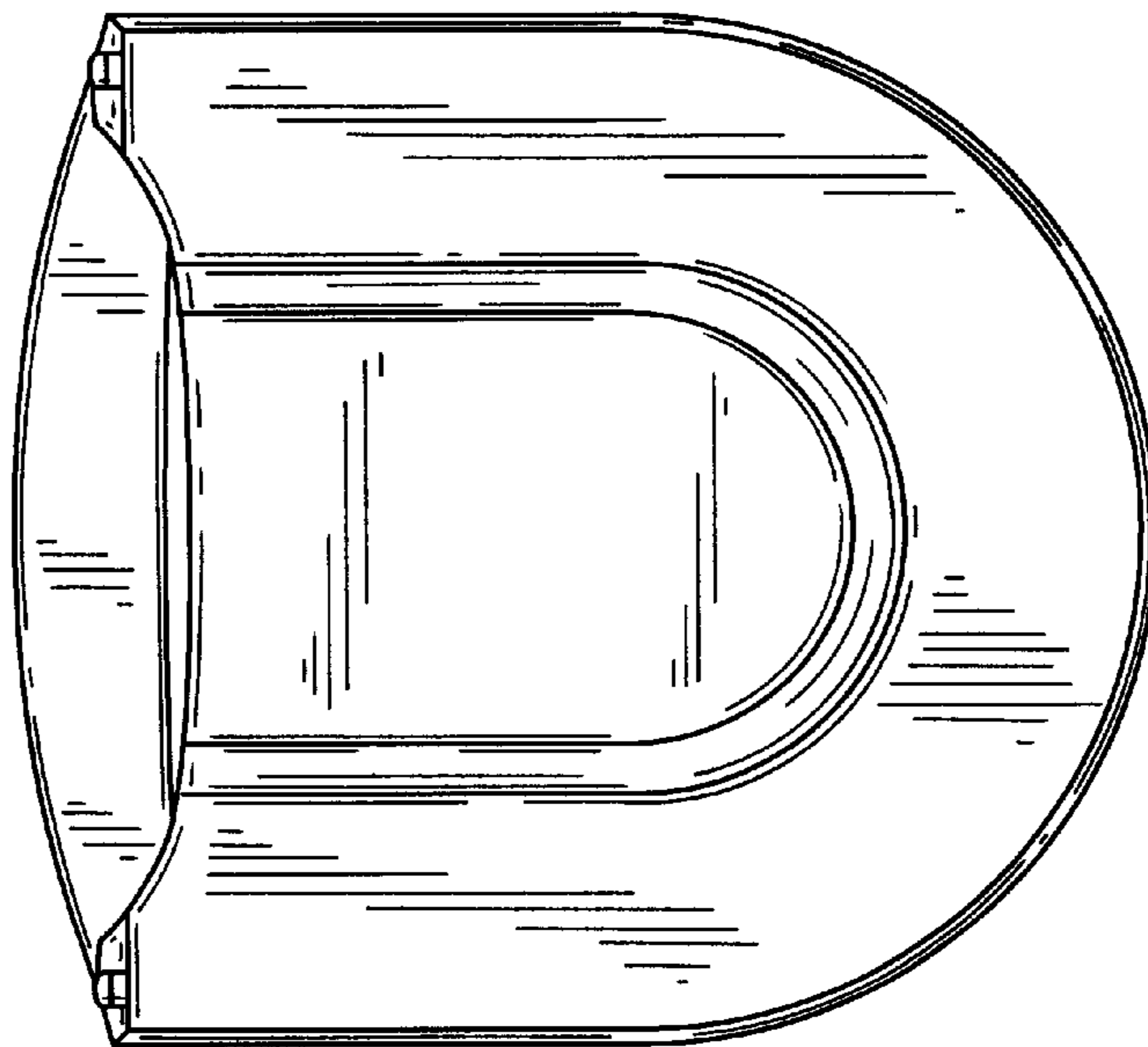


FIG. 7