



US00D420970S

# United States Patent [19]

[11] Patent Number: **Des. 420,970**

Sacco et al.

[45] Date of Patent: **\*\* Feb. 22, 2000**

[54] **CONSOLE FOR VEHICLE**

D. 397,083 8/1998 Smith ..... D12/419

[75] Inventors: **Bruno Sacco; Harald Leschke**, both of Sindelfingen, Germany; **Olivier Boulay**, Tokyo, Japan; **Shuichi Yamashita**, Yokohama, Japan; **Anthony Lo**, Tokyo, Japan

*Primary Examiner*—James Gandy  
*Assistant Examiner*—Stacia Sinuik  
*Attorney, Agent, or Firm*—Evenson, McKeown, Edwards & Lenahan, PLLC

[73] Assignee: **Daimler-Benz Aktiengesellschaft**, Stuttgart, Germany

### [57] CLAIM

[\*\*] Term: **14 Years**

The ornamental design for a console for vehicle, as shown and described.

[21] Appl. No.: **29/092,458**

### DESCRIPTION

[22] Filed: **Aug. 19, 1998**

FIG. 1 is a top view of a console for vehicle according to our novel design;

[51] **LOC (7) Cl.** ..... **12-16**

FIG. 2 is a front view of a console for vehicle according to our novel design;

[52] **U.S. Cl.** ..... **D12/415**

FIG. 3 is a right side view of a console for vehicle according to our novel design, the left side view being mirror symmetrical to the right side view; and,

[58] **Field of Search** ..... D12/415, 416, D12/424, 195; 296/37.1, 37.6, 37.8, 37.13-37.16; 224/42.11, 42.24, 42.25, 275, 539-543, 400

FIG. 4 is a front right elevational view of a console for vehicle according to our novel design.

The bottom and rear portions of the surface configuration of console for vehicle are not part of the claimed design.

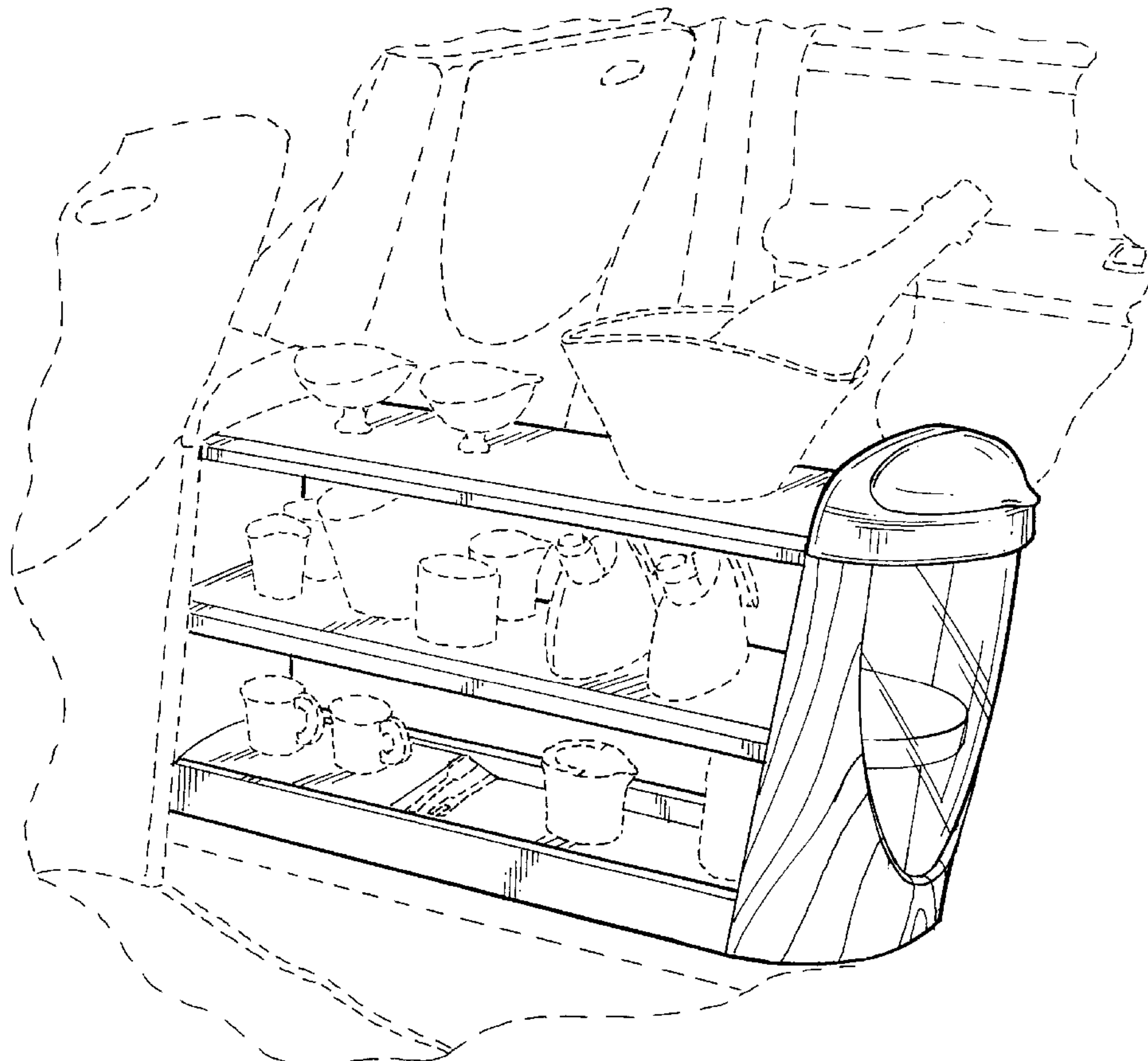
### [56] References Cited

The broken line showing of environmental structure and broken lines defining the boundaries of the top and rear side edges of the console are for illustrative purposes only and form no part of the claimed design.

#### U.S. PATENT DOCUMENTS

- D. 362,838 10/1995 Price ..... D12/424
- D. 379,617 6/1997 Hellhake et al. .... D12/424
- D. 379,618 6/1997 Hellhake et al. .... D12/424

**1 Claim, 2 Drawing Sheets**



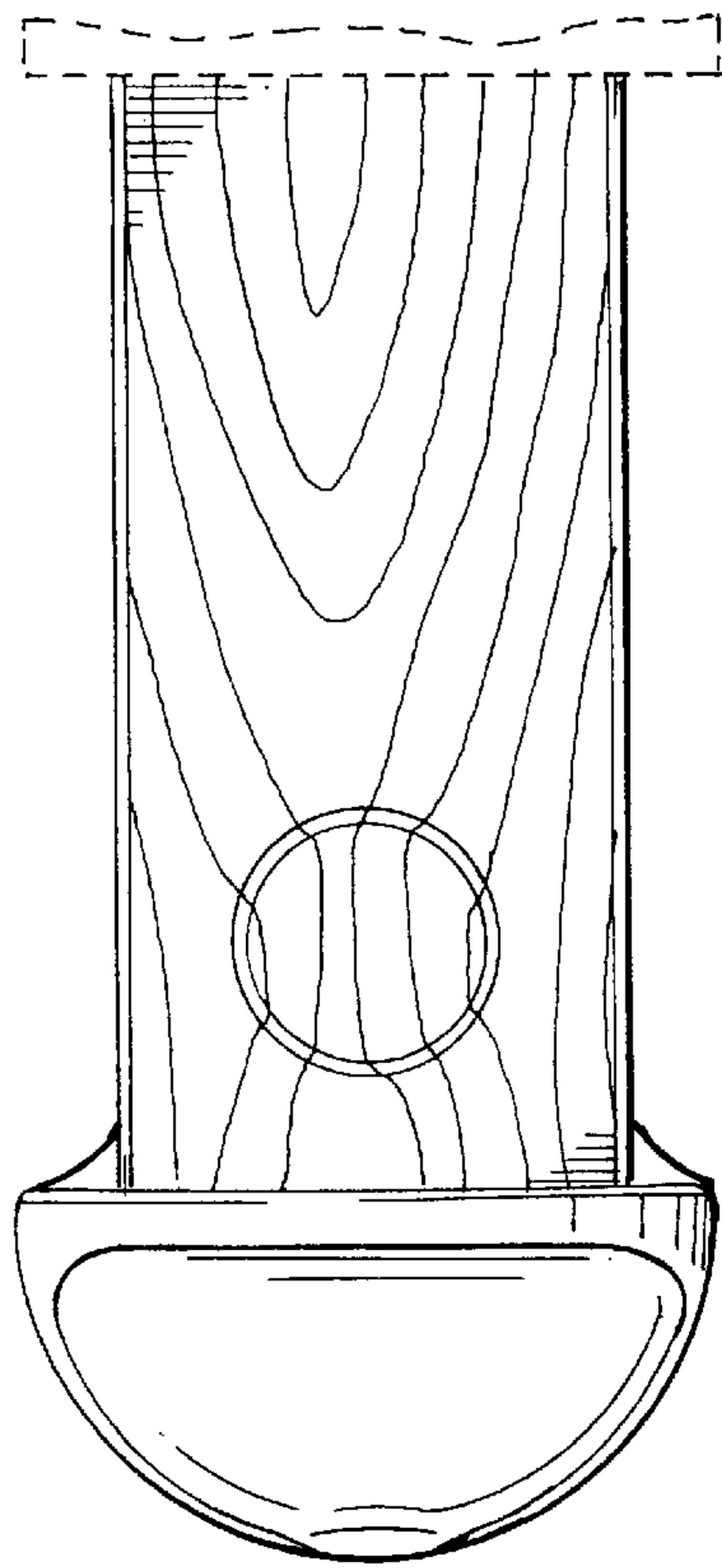


FIG. 1

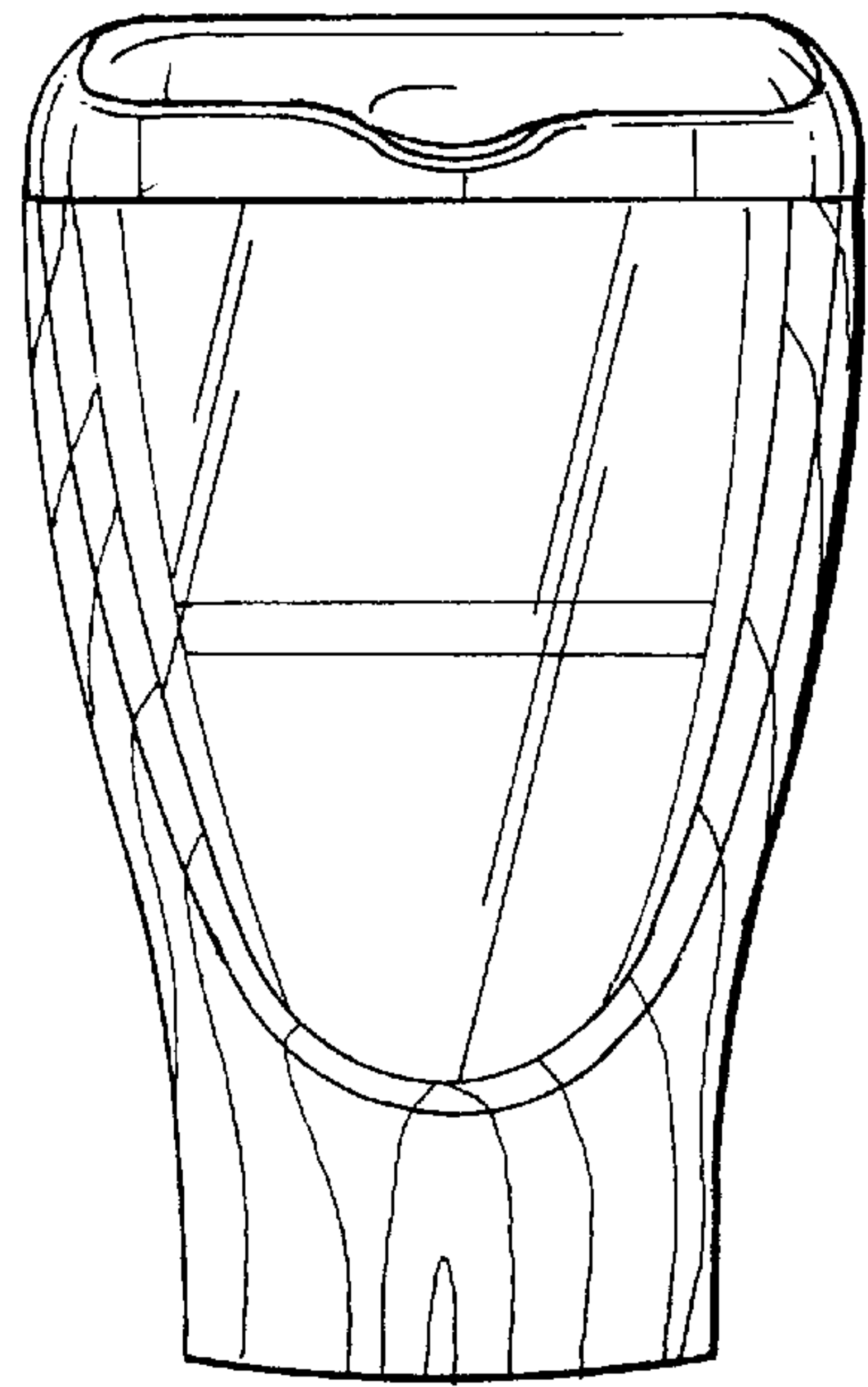


FIG. 2

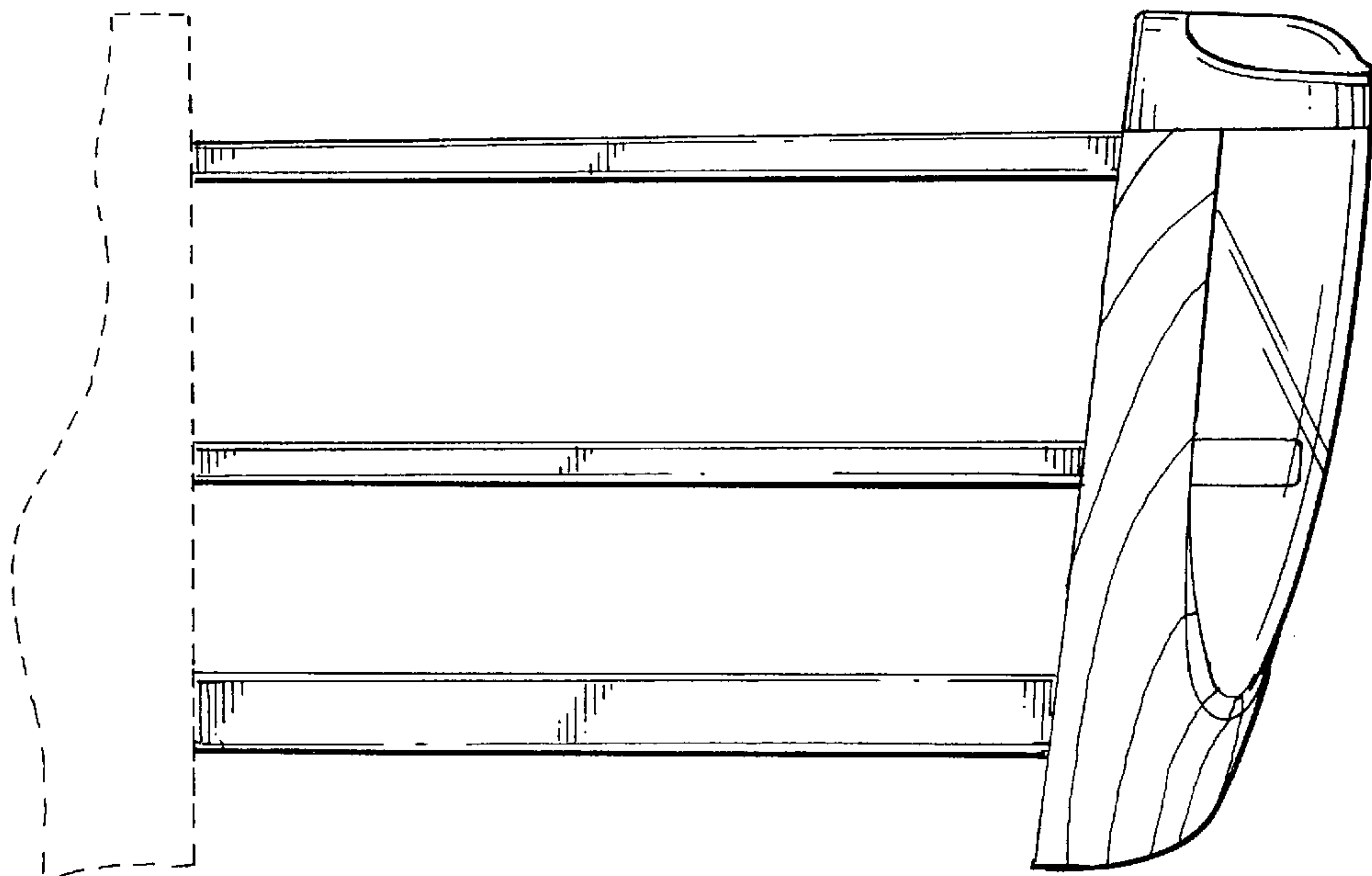


FIG. 3

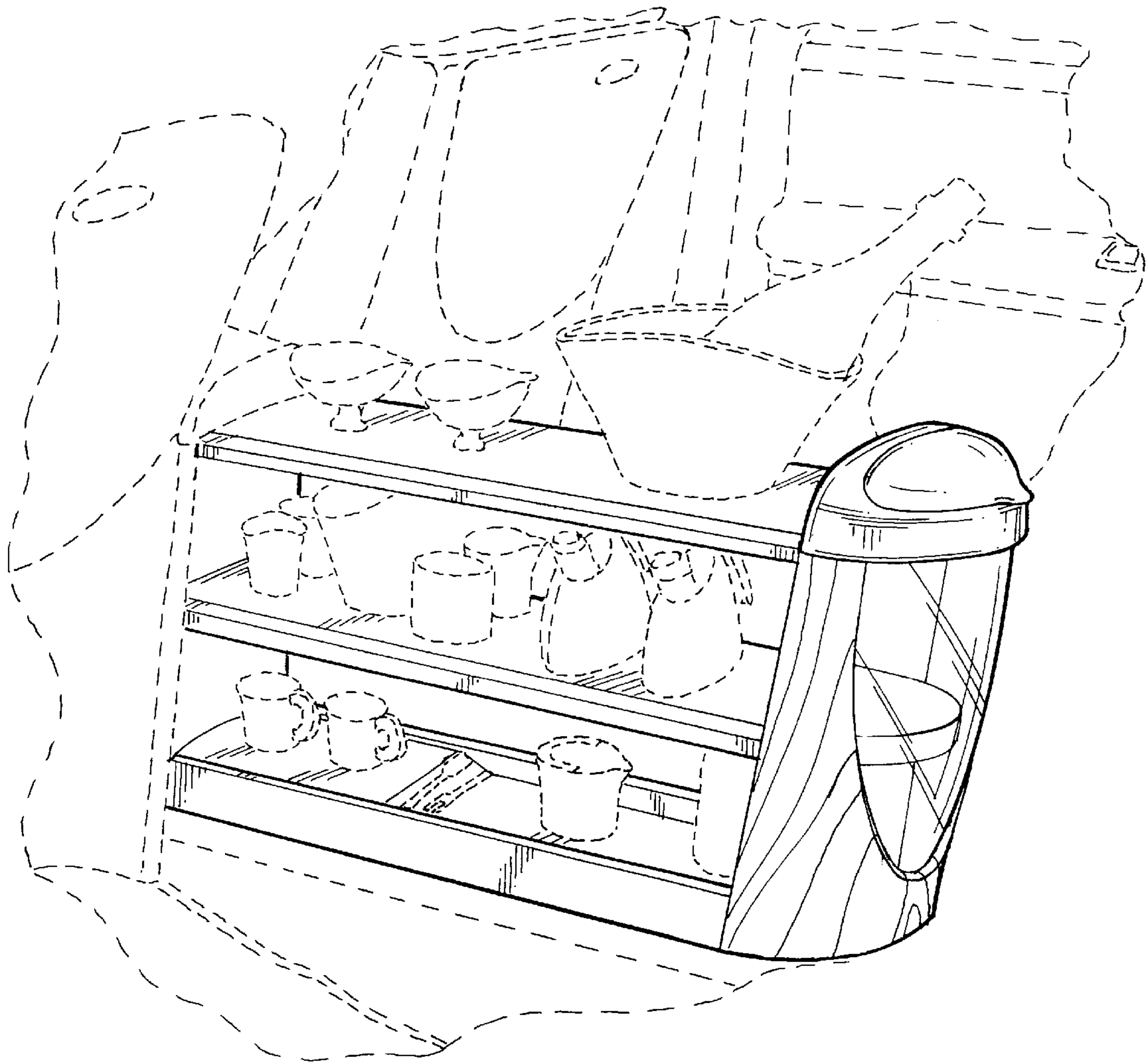


FIG. 4