



US00D420969S

United States Patent [19]
Schlachter

[11] **Patent Number: Des. 420,969**

[45] **Date of Patent: ** Feb. 22, 2000**

[54] **COMBINED VEHICLE SECURITY ENCLOSURE/PICNIC TABLE**

[76] Inventor: **Bradley S. Schlachter**, 10 Abbotsford Ct., Dallas, Tex. 75225

[**] Term: **14 Years**

[21] Appl. No.: **29/082,593**

[22] Filed: **Jan. 27, 1998**

[51] **LOC (7) Cl.** **12-99**

[52] **U.S. Cl.** **D12/414.1**

[58] **Field of Search** D7/337; D12/400, D12/412, 413, 414.1, 423; D6/429, 432, 437, 440, 480, 481, 445-448; 224/273, 42.42, 402, 403, 311, 539-542, 317; 296/37.1-37.6

[56] **References Cited**

U.S. PATENT DOCUMENTS

D. 183,341	8/1958	Chiascione	D7/337
D. 305,315	1/1990	Fletcher	D12/412
D. 320,372	10/1991	Alberts	D12/414.1
D. 321,159	10/1991	Schlachter	D12/400
D. 326,792	6/1992	Rodgers et al.	D7/337
D. 369,140	4/1996	Sills	D12/414.1
D. 372,016	7/1996	Wolford	D12/414.1
D. 378,671	4/1997	Herrs	D12/423 X
D. 411,164	6/1999	Harris	D12/414.1
4,632,446	12/1986	Douglass	296/37.6
4,752,096	6/1988	Ishikawa	296/37.6 X
4,828,312	5/1989	Kinkel et al.	296/37.6

Primary Examiner—Doris V. Coles

Assistant Examiner—Stacia Cadmus
Attorney, Agent, or Firm—David H. Judson

[57] **CLAIM**

The ornamental design for a combined vehicle security enclosure/picnic table, as shown and described.

DESCRIPTION

FIG. 1 is a perspective view of the enclosure with its top lid in a closed position;

FIG. 2 is a back view of the enclosure with the top lid in the closed position as the enclosure would be viewed from a back end of a vehicle looking forward;

FIG. 3 is a left end view of the enclosure with the top lid in the closed position;

FIG. 4 is a front view of the enclosure with the top lid in the closed position as the enclosure would be viewed from a front end of a vehicle looking backward;

FIG. 5 is a right end view of the enclosure with the top lid in the closed position;

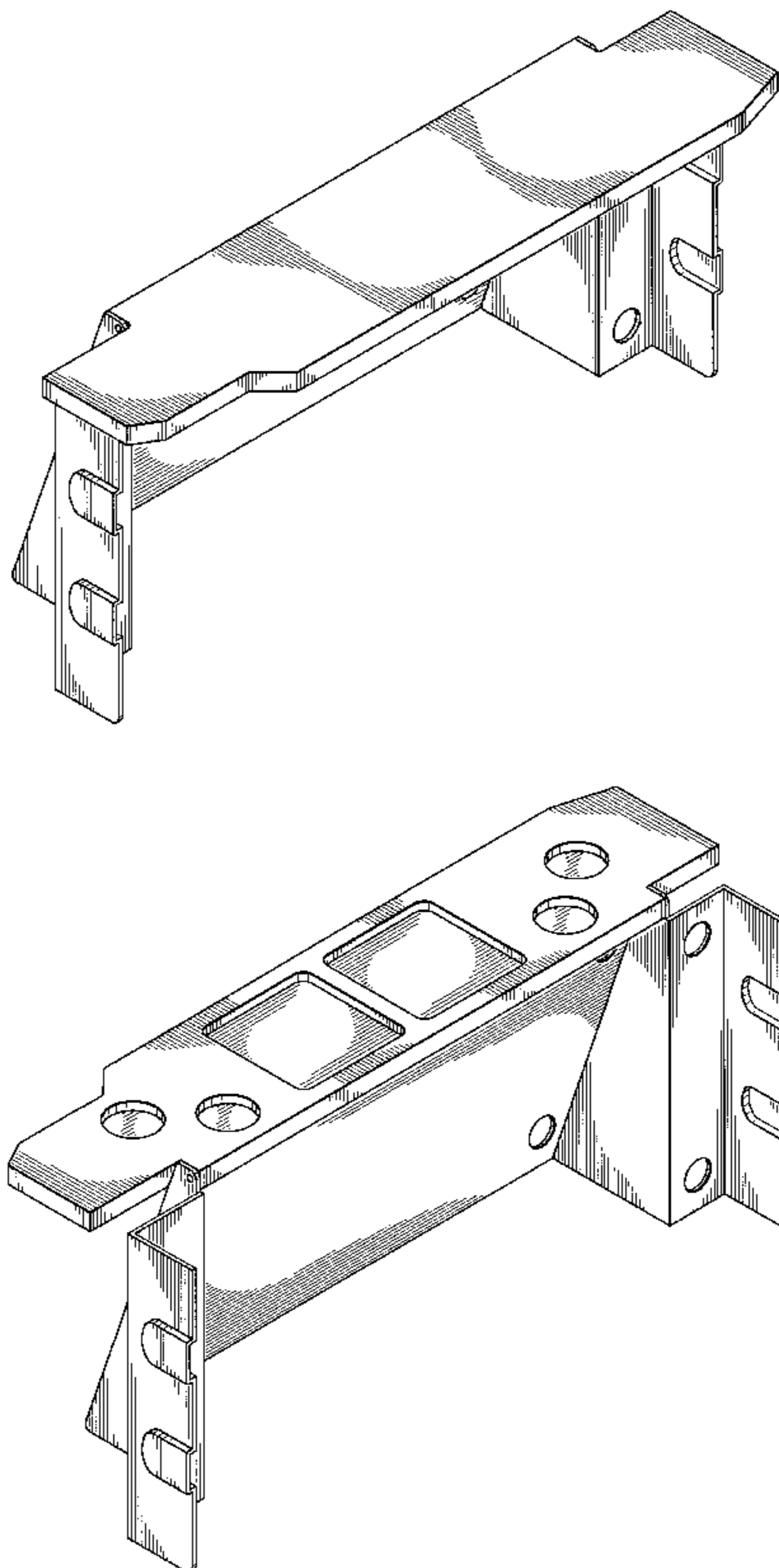
FIG. 6 is a top view of the enclosure with the top lid in the closed position;

FIG. 7 is a bottom view of the enclosure with the top lid in the closed position and illustrating the structure of the picnic table elements;

FIG. 8 is a perspective view of the enclosure with the top lid in an open table position; and,

FIG. 9 is a perspective view of the enclosure with the top lid in an open table position adjacent an ice/storage chest. The broken line showing of environment is for illustrative purposes only and forms no part of the claimed design.

1 Claim, 5 Drawing Sheets



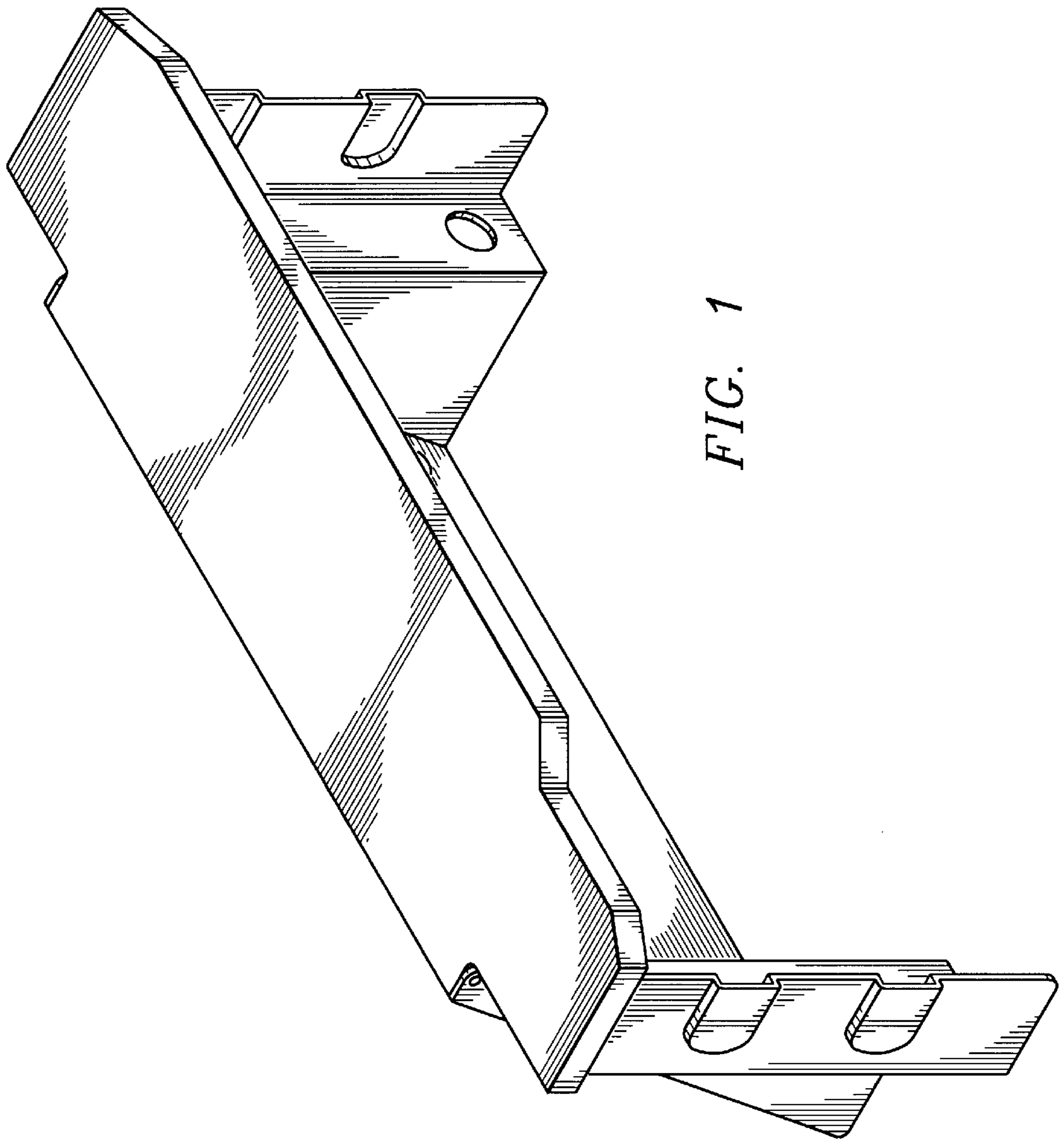


FIG. 1

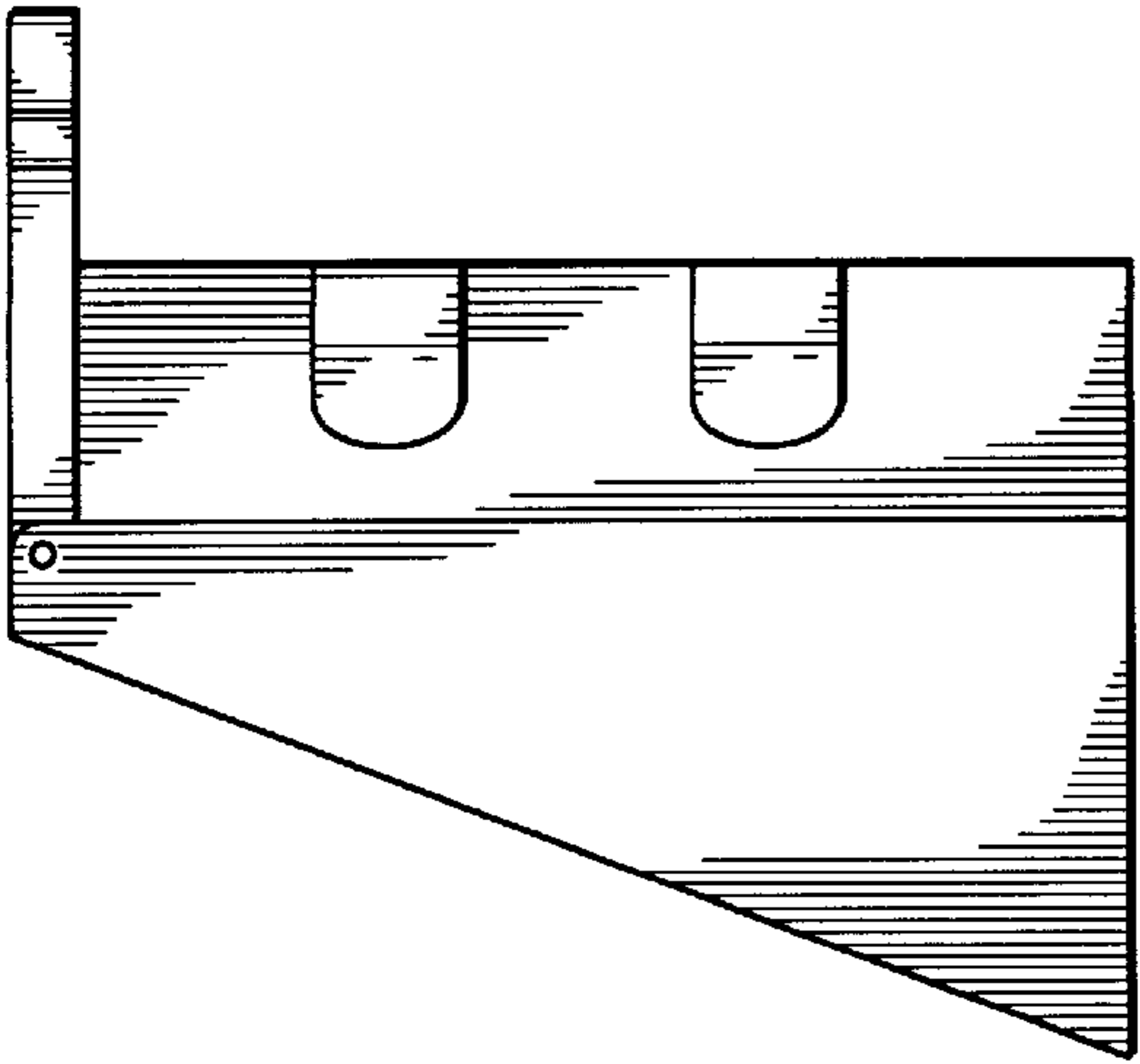


FIG. 3

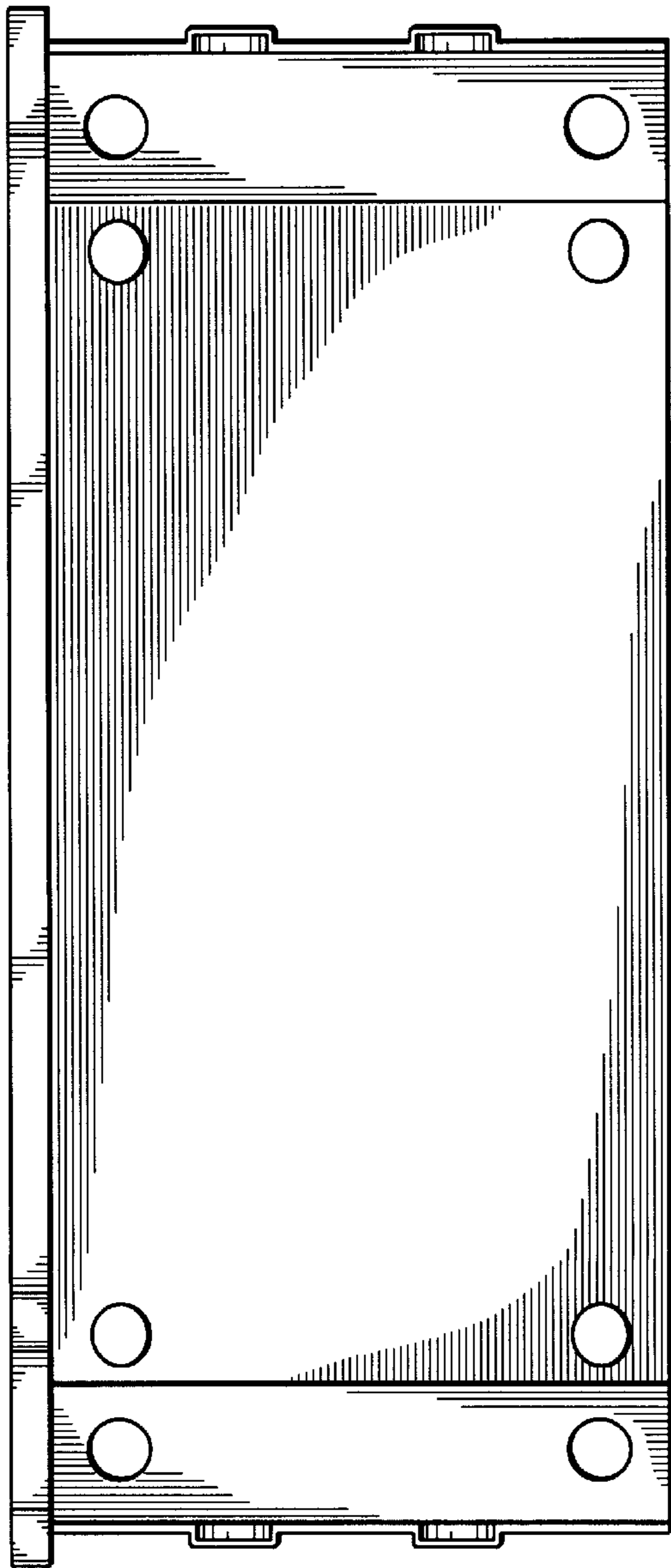


FIG. 2

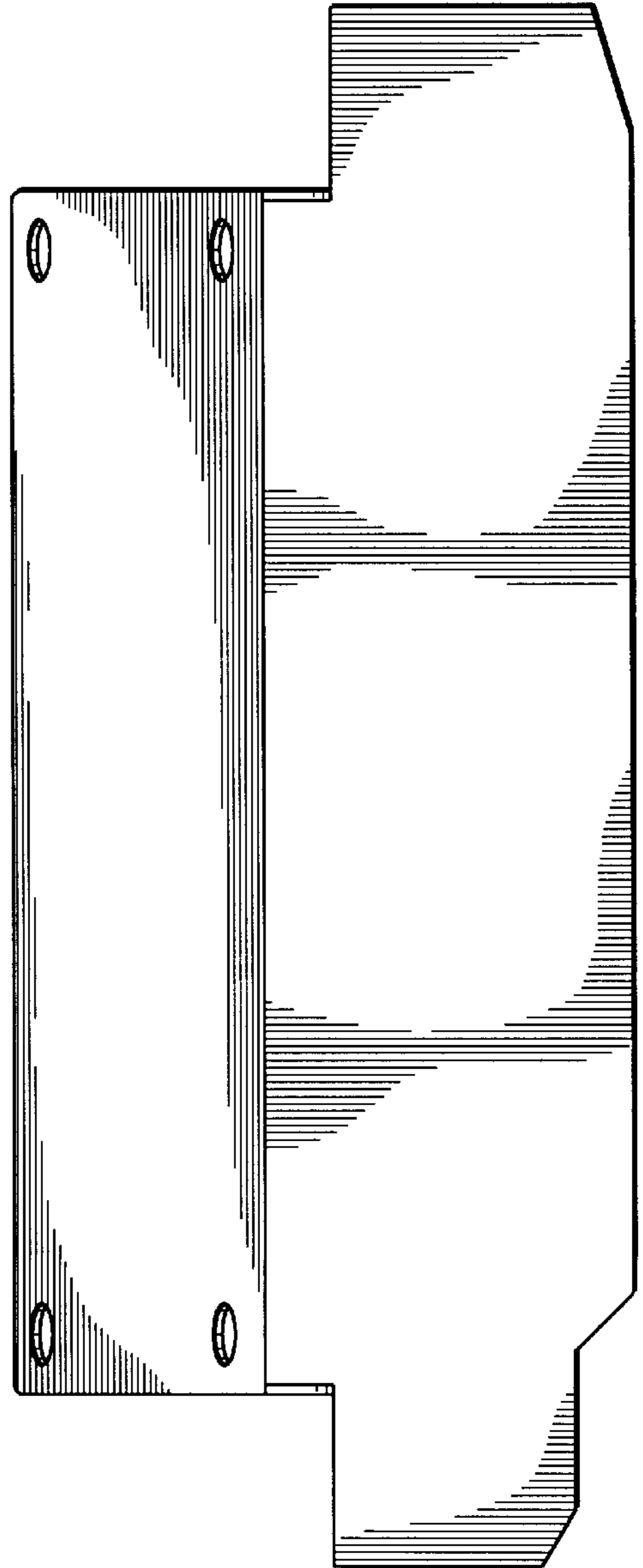


FIG. 6

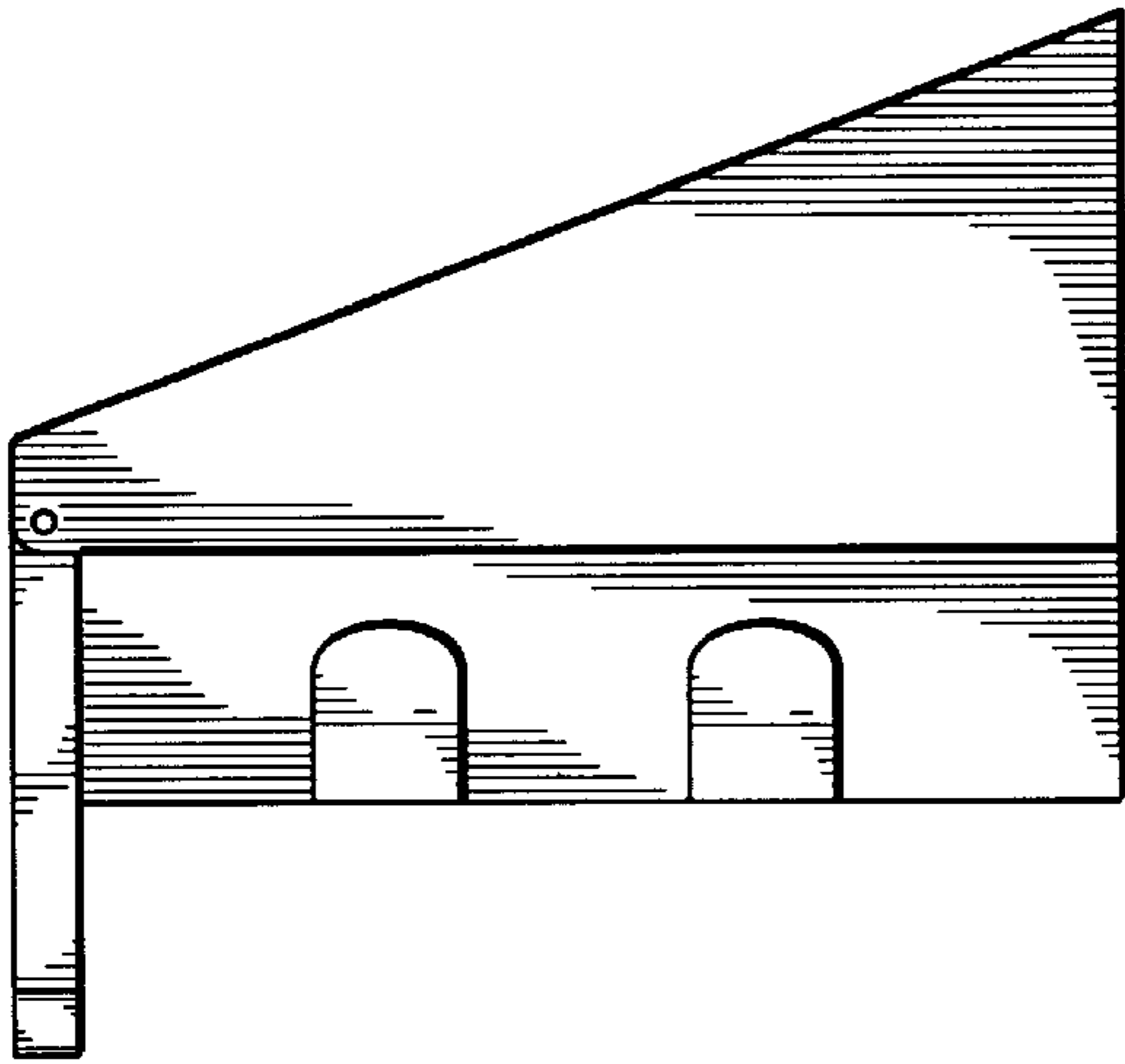


FIG. 5

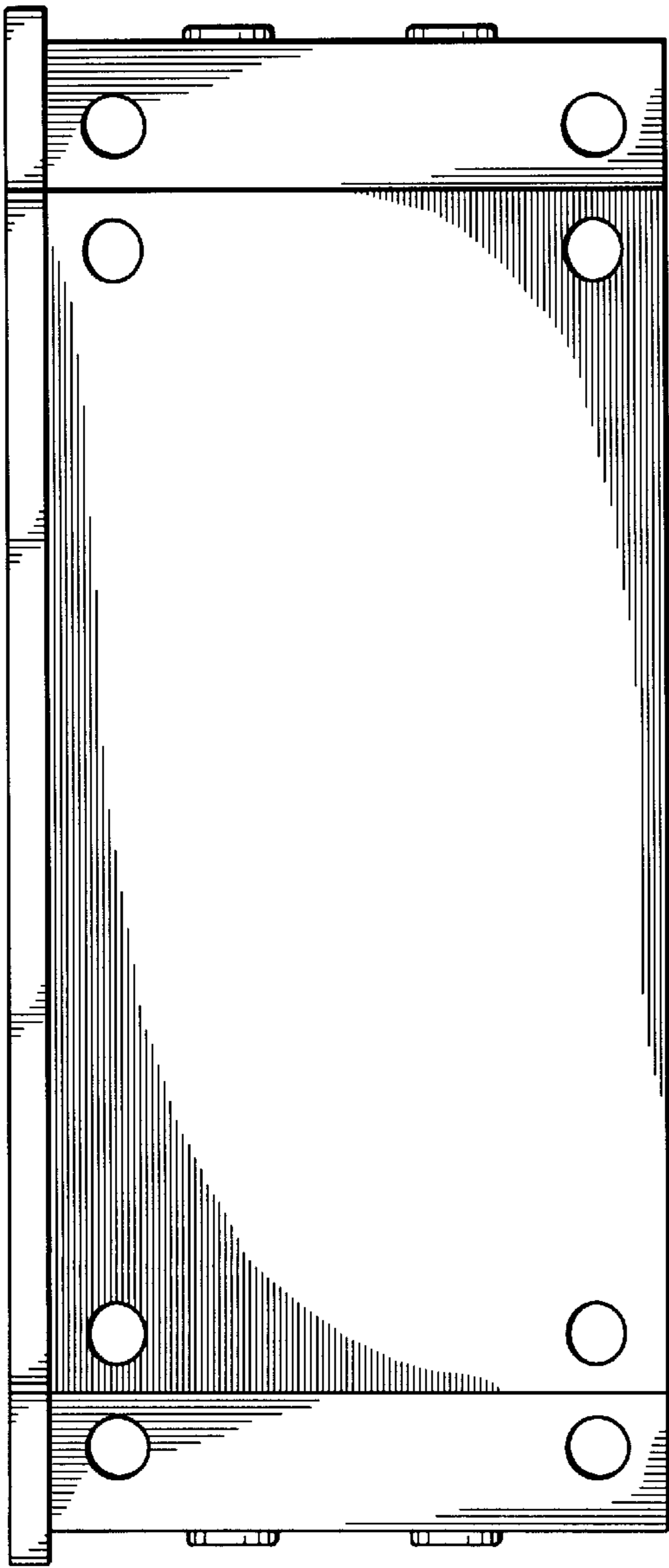


FIG. 4

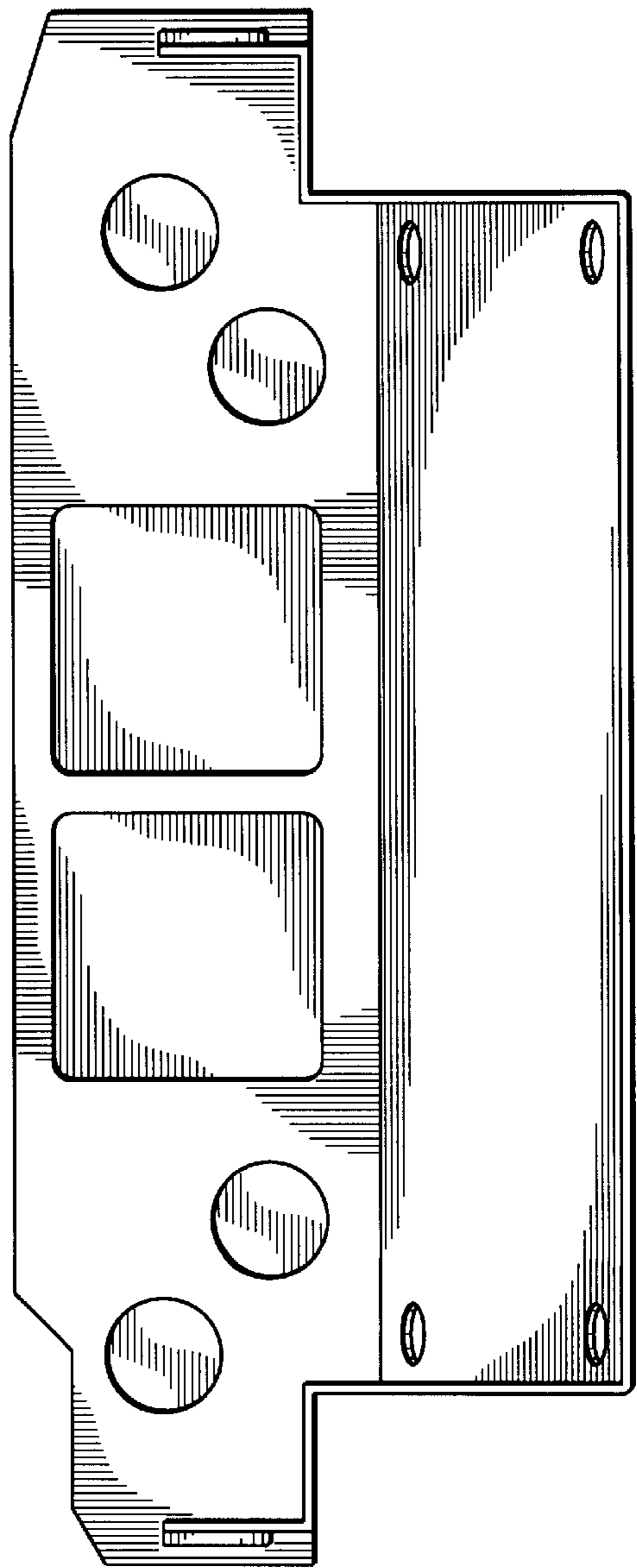


FIG. 7

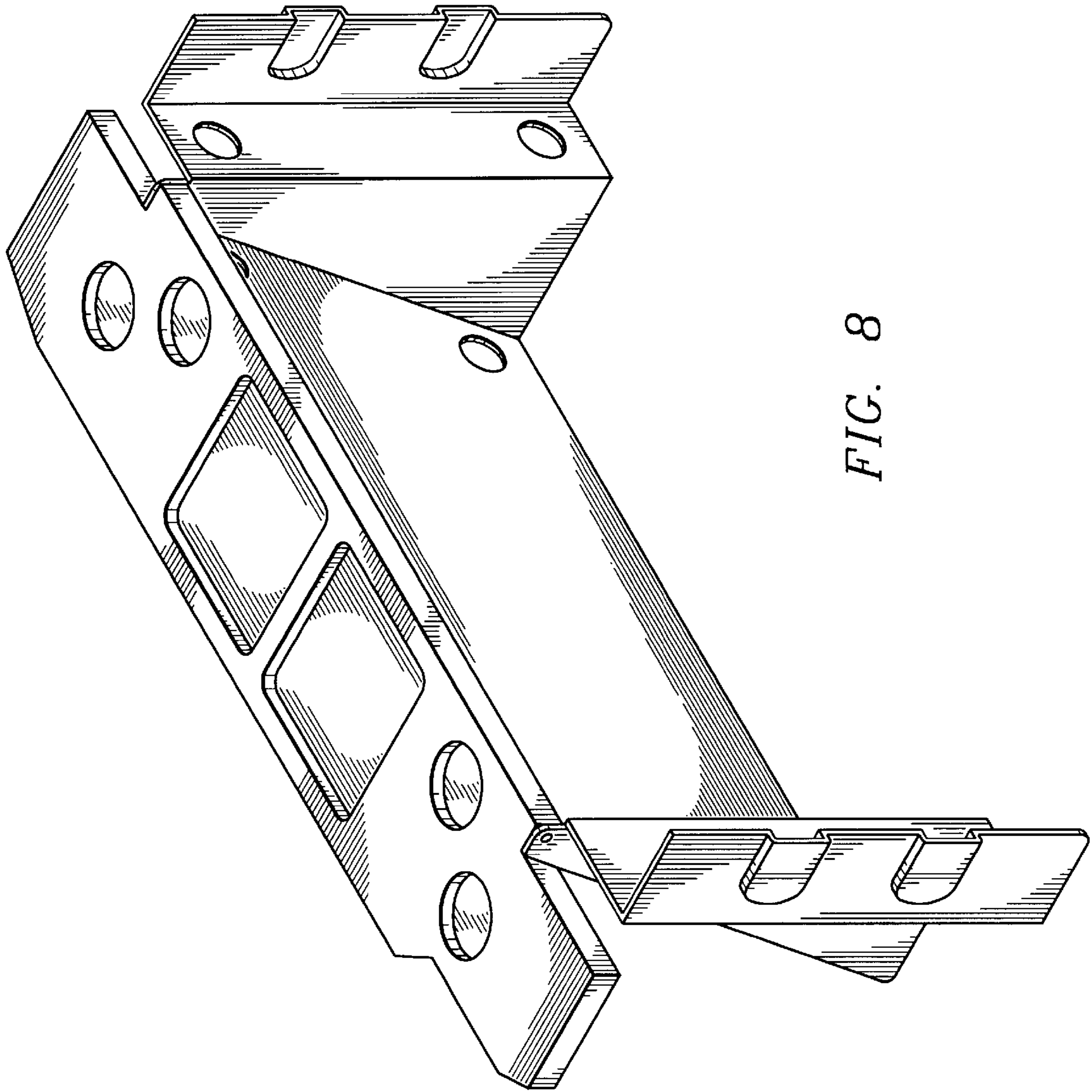


FIG. 8

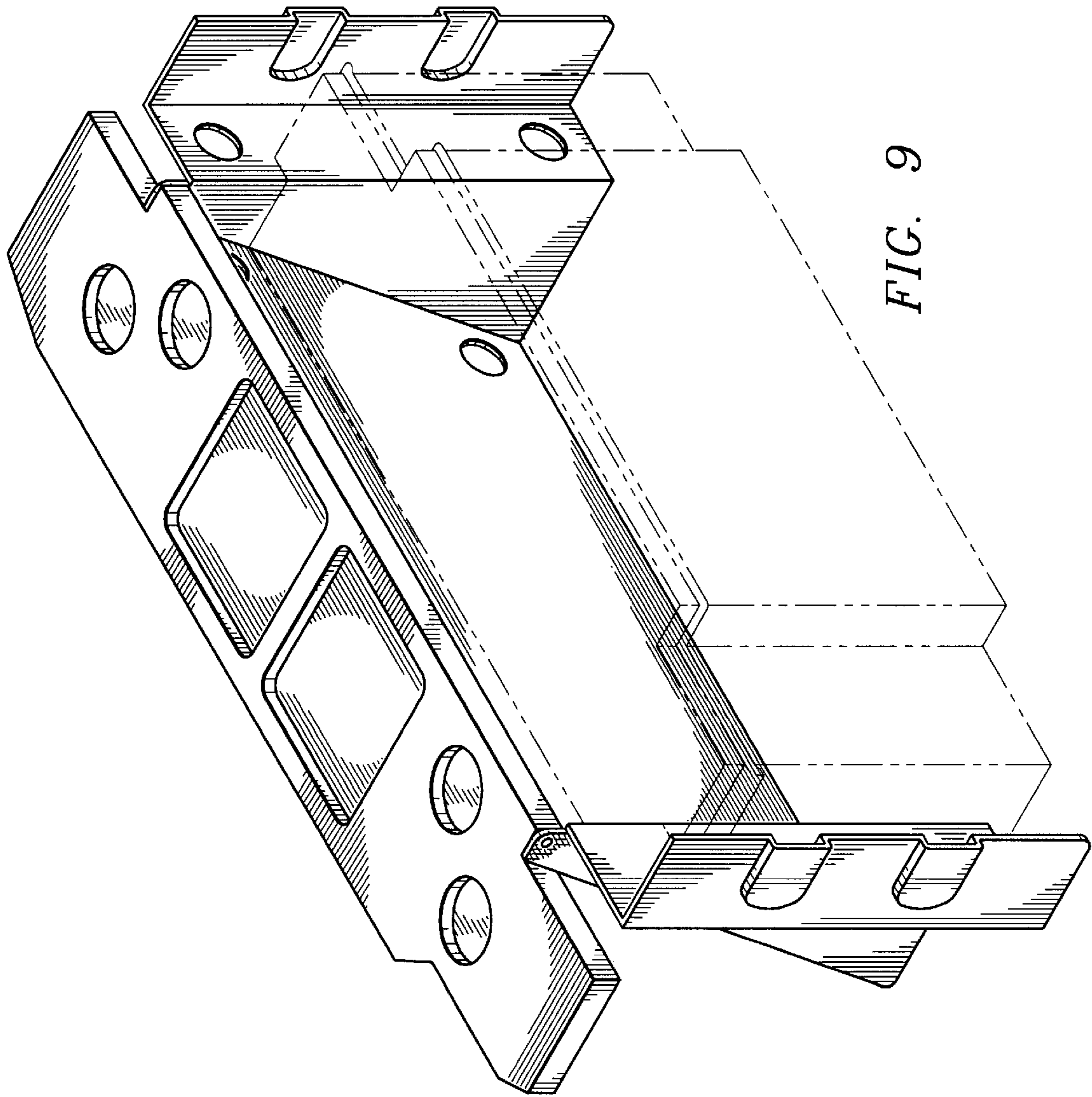


FIG. 9