



US00D420968S

**United States Patent** [19]  
**Cicansky**

[11] **Patent Number: Des. 420,968**

[45] **Date of Patent: \*\* Feb. 22, 2000**

[54] **VEHICLE SCREEN KIT**

[76] Inventor: **Joseph Cicansky**, 1603 Longworthy Bay E., Regina, Saskatchewan, Canada, S4V 1B7

[\*\*] Term: **14 Years**

[21] Appl. No.: **29/060,560**

[22] Filed: **Oct. 1, 1996**

[51] **LOC (7) Cl.** ..... **12-16**

[52] **U.S. Cl.** ..... **D12/216**

[58] **Field of Search** ..... D12/216, 90-92; 180/68.6

[56] **References Cited**

**U.S. PATENT DOCUMENTS**

D. 350,504 9/1994 Nixon ..... D12/91

**OTHER PUBLICATIONS**

Motor Trend, Jan. 1996, p. 36, Jeep Grand Cherokee Grill Screen.

*Primary Examiner*—Melody N. Brown  
*Attorney, Agent, or Firm*—Ridout & Maybee

[57] **CLAIM**

The ornamental design for a vehicle screen kit, as shown and described.

**DESCRIPTION**

FIG. 1 is a front elevational view of a vehicle screen kit

showing my new design;

FIG. 2 is a front elevational view of the first left vehicle screen, the first right vehicle screen is an inverted mirror image of the first left vehicle screen;

FIG. 3 is a side elevational view of the vehicle screen;

FIG. 4 is a top plan view of the first vehicle screen, the bottom view being substantially a mirror image of the top view shown;

FIG. 5 is a front elevational view of the second left vehicle screen, the second right vehicle screen is a mirror image of the second left vehicle screen;

FIG. 6 is a side elevational view of the vehicle screen of FIG. 5;

FIG. 7 is a top plan view of the second vehicle screen shown in FIG. 5, the bottom view being substantially a mirror image of the top view shown in FIG. 5;

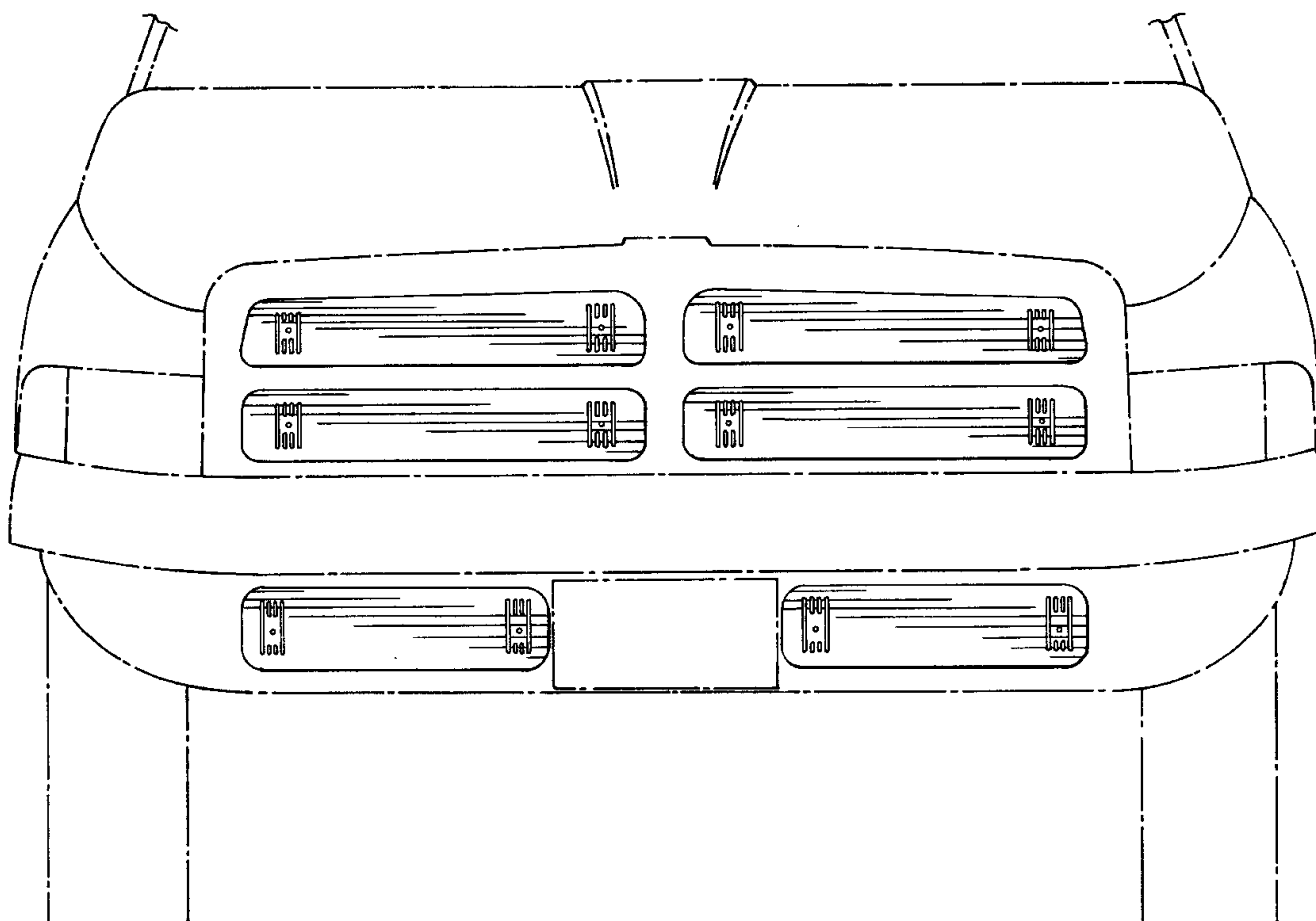
FIG. 8 is a top plan view of another vehicle screen element, showing my new design;

FIG. 9 is a side elevational view of the vehicle screen of FIG. 11; and,

FIG. 10 is a front elevational view of the vehicle screen of FIG. 11.

The broken lines in FIG. 1 represent a vehicle and are for illustrative purposes only and form no part of the claimed design. The rear view of each vehicle screen is not visible in its intended use and is flat.

**1 Claim, 2 Drawing Sheets**



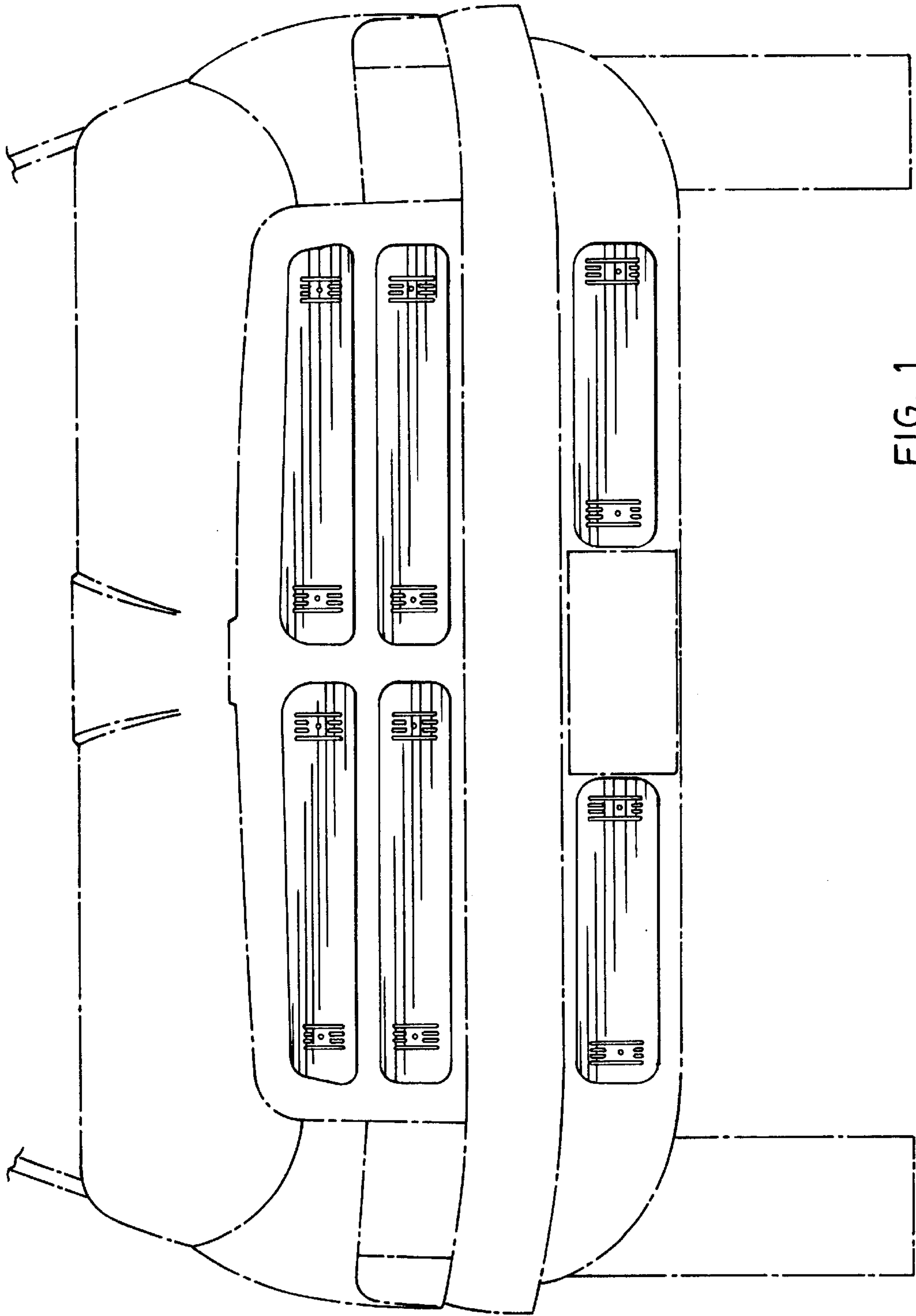


FIG. 1

