



US00D420962S

United States Patent [19] Chevalier

[11] **Patent Number: Des. 420,962**

[45] **Date of Patent: ** Feb. 22, 2000**

[54] **GRILL GUARD**

[75] Inventor: **Donald P. Chevalier**, Armada, Mich.

[73] Assignee: **Algonquin Industries International, Inc.**, Huntsville, Canada

[**] Term: **14 Years**

[21] Appl. No.: **29/092,518**

[22] Filed: **Aug. 20, 1998**

[51] **LOC (7) Cl.** **12-16**

[52] **U.S. Cl.** **D12/171**

[58] **Field of Search** D12/171, 163,
D12/167; 293/38, 115, 120, 114, 103

[56] **References Cited**

U.S. PATENT DOCUMENTS

- D. 257,430 10/1980 Hickey .
- D. 259,873 7/1981 Milner .
- D. 275,475 9/1984 Turkleson .
- D. 300,420 3/1989 Trinnaman .
- D. 361,316 8/1995 Orth, Sr. et al. .
- D. 383,719 9/1997 Thorne et al. D12/171
- D. 384,625 10/1997 Thorne et al. .
- D. 388,042 12/1997 Thorne et al. D12/171
- D. 396,678 8/1998 Shklyover D12/171
- 3,622,174 11/1971 Wakeen et al. .
- 4,099,760 7/1978 Mascotte et al. .
- 4,168,855 9/1979 Koch .

- 4,671,552 6/1987 Anderson et al. .
- 5,215,343 6/1993 Fortune .
- 5,277,465 1/1994 Weir .

OTHER PUBLICATIONS

J C Whitney & Co. Catalogs ©1995, p. 120, the custom-fit grille guards.

Primary Examiner—Melody N. Brown
Attorney, Agent, or Firm—Harness, Dickey & Pierce, PLC

[57] **CLAIM**

The ornamental design for a grill guard, as shown and described.

DESCRIPTION

FIG. 1 is a perspective view of the design for a grill guard for the front end of an automobile according to the present invention with the sport utility door closed; FIG. 2 is a front elevational view thereof; FIG. 3 is a top plan view thereof; FIG. 4 is a bottom plan view thereof; FIG. 5 is a left side elevational view thereof; FIG. 6 is a rear elevational view thereof; and, FIG. 7 is a right elevational view thereof. The broken line portions of the vehicle shown in FIG. 1 are for illustrative purposes only and form no part of the claimed design.

1 Claim, 2 Drawing Sheets

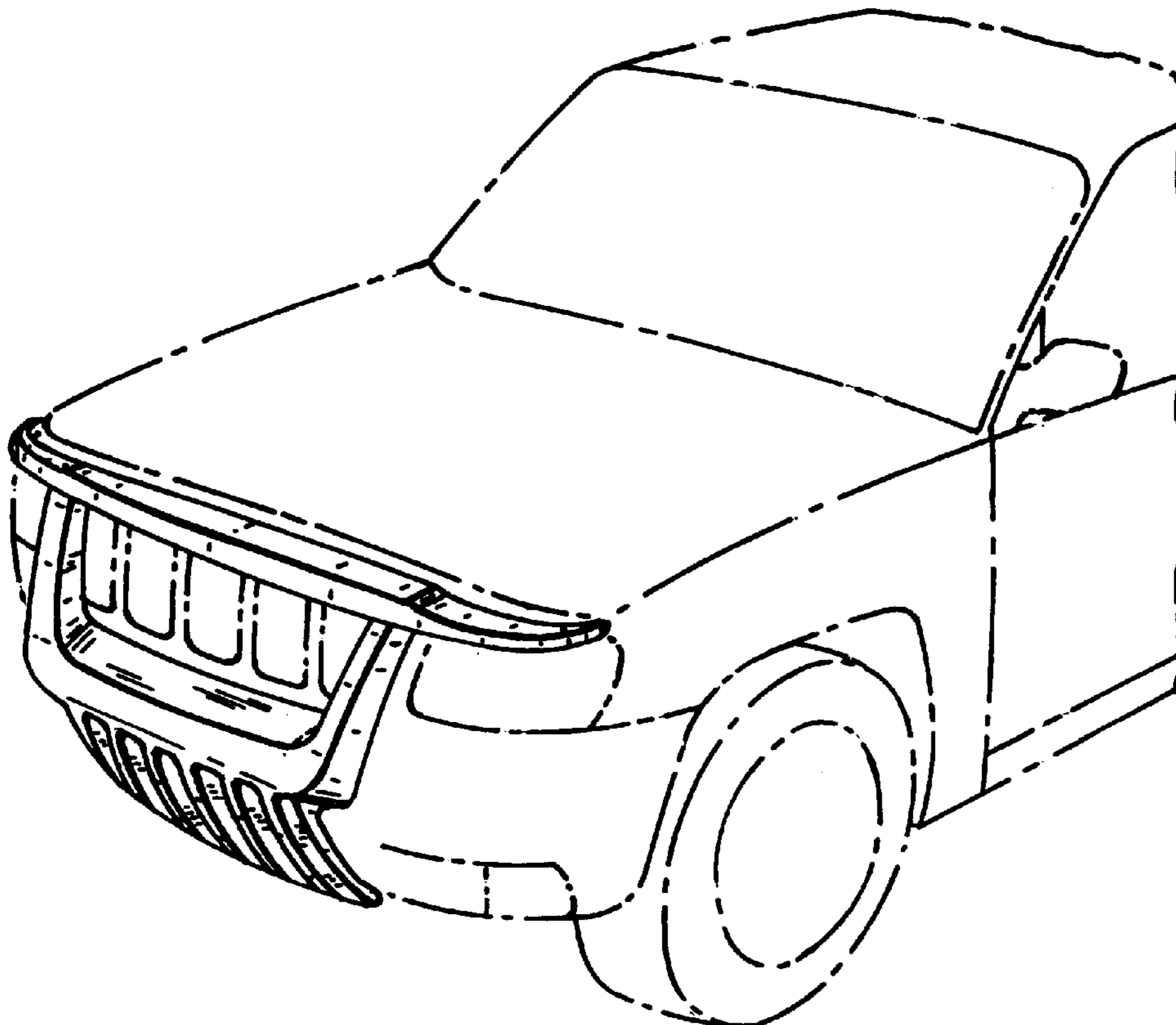


FIG. 1.

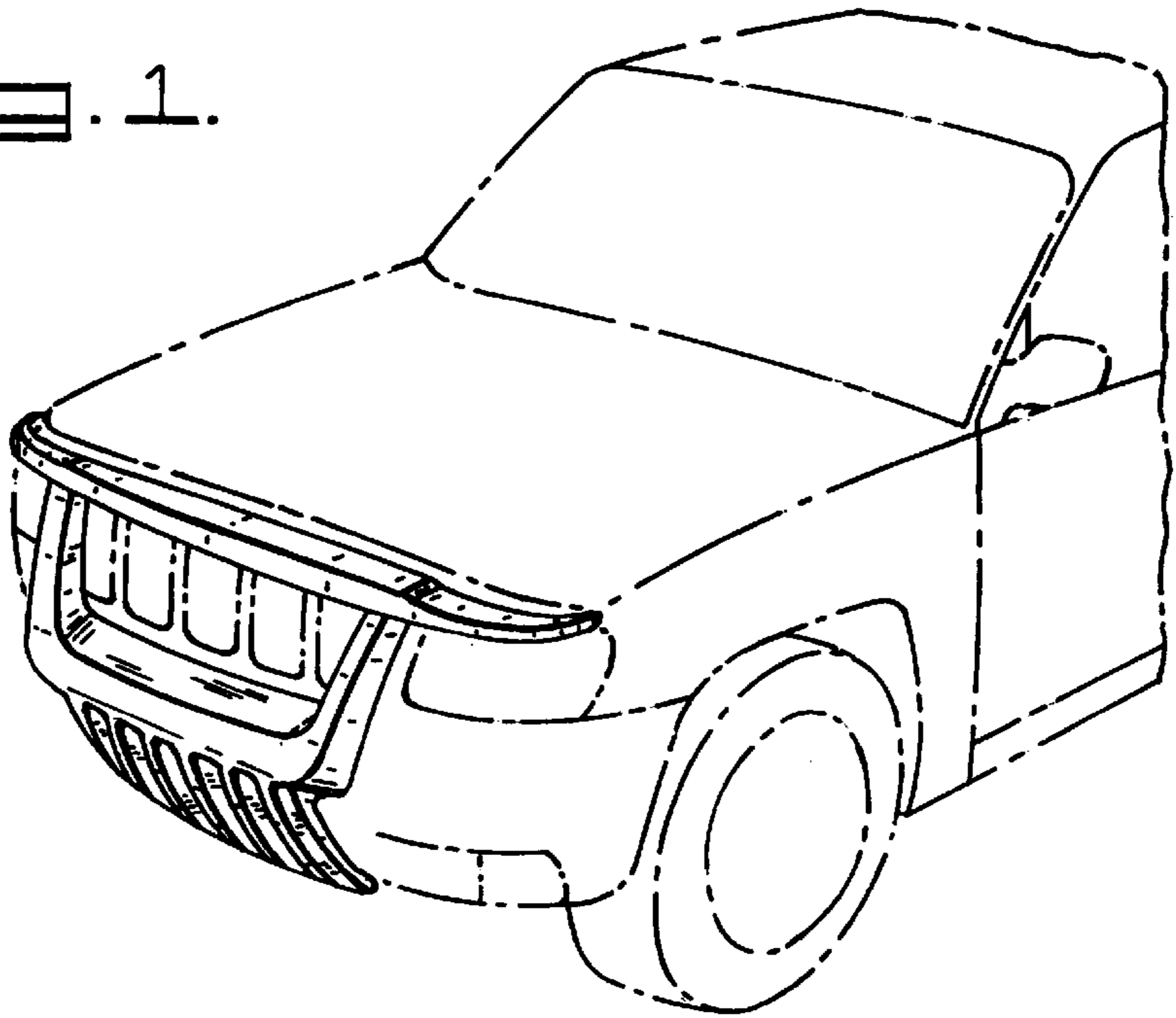


FIG. 2.

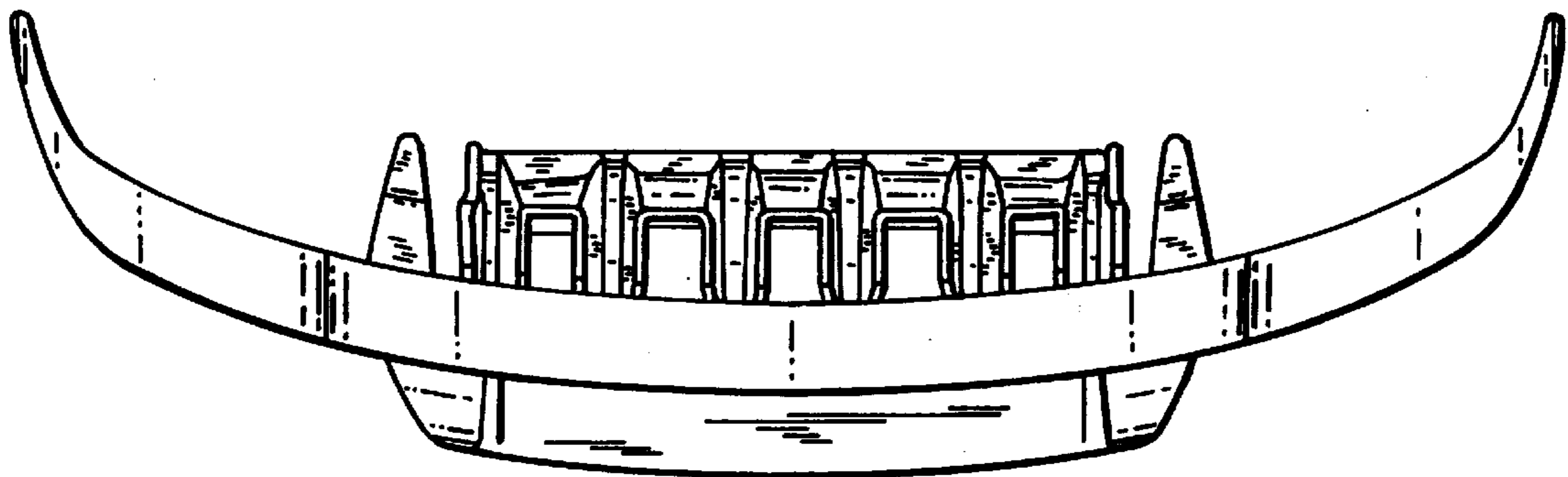
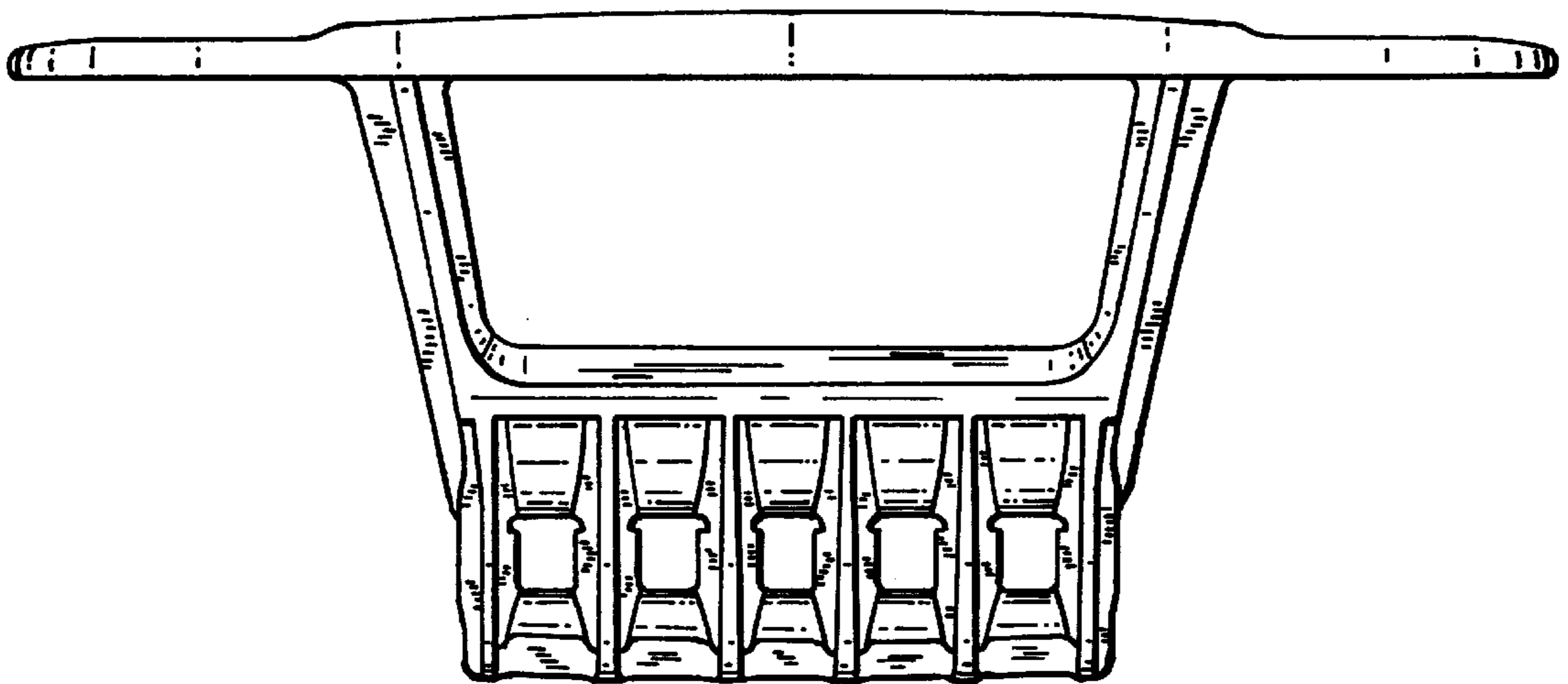


FIG. 3.

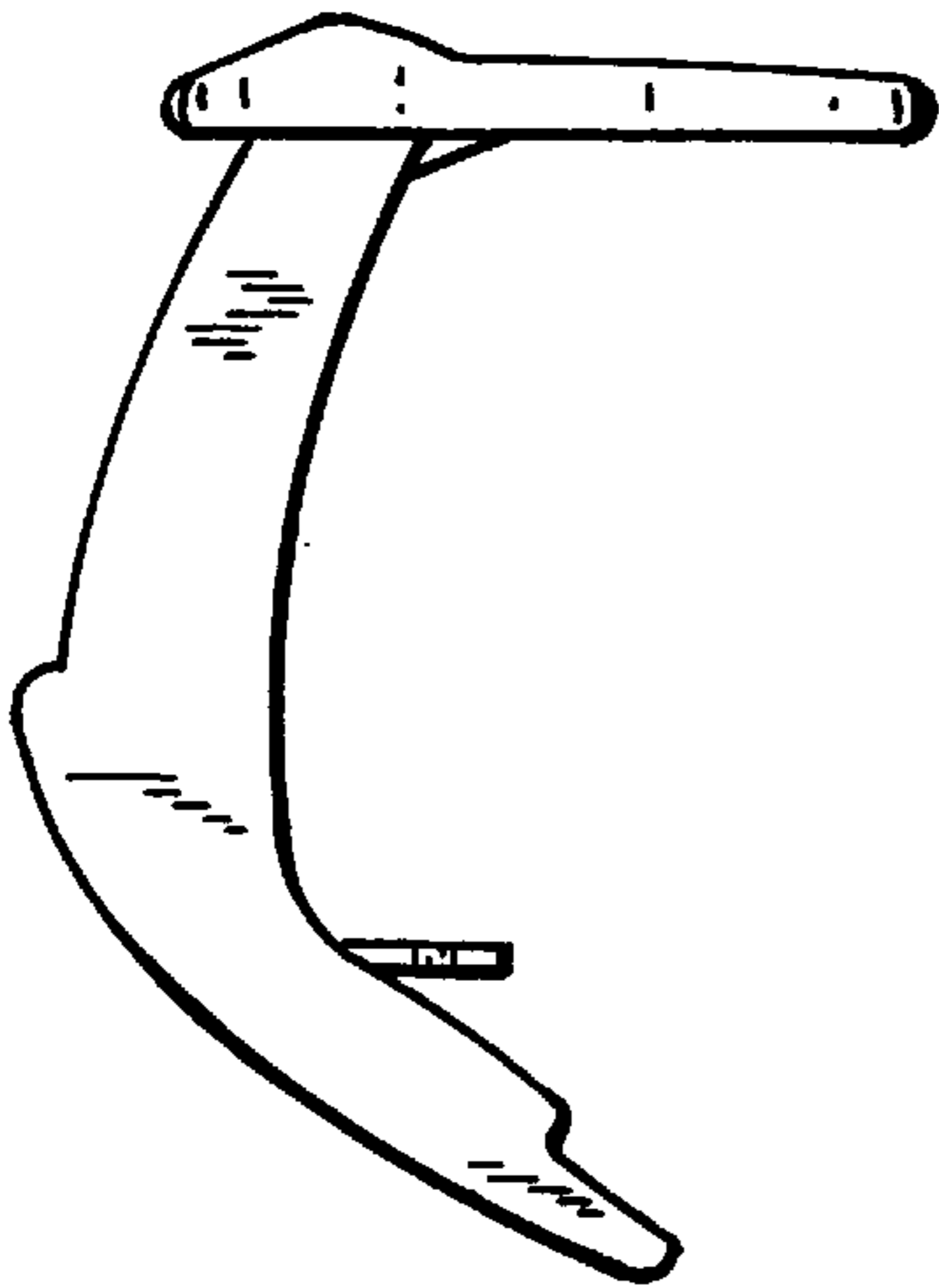


FIG. 5.

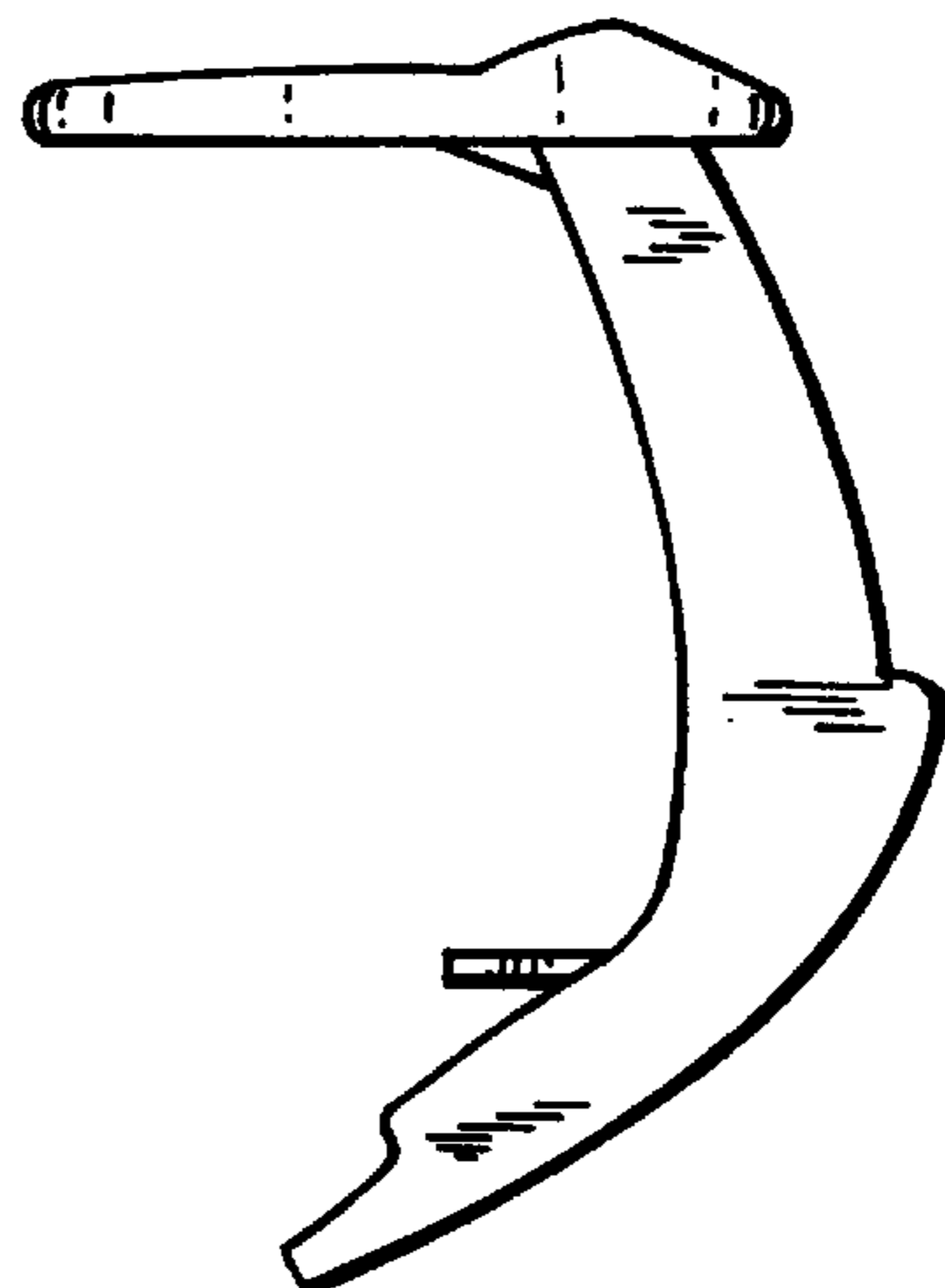


FIG. 7.

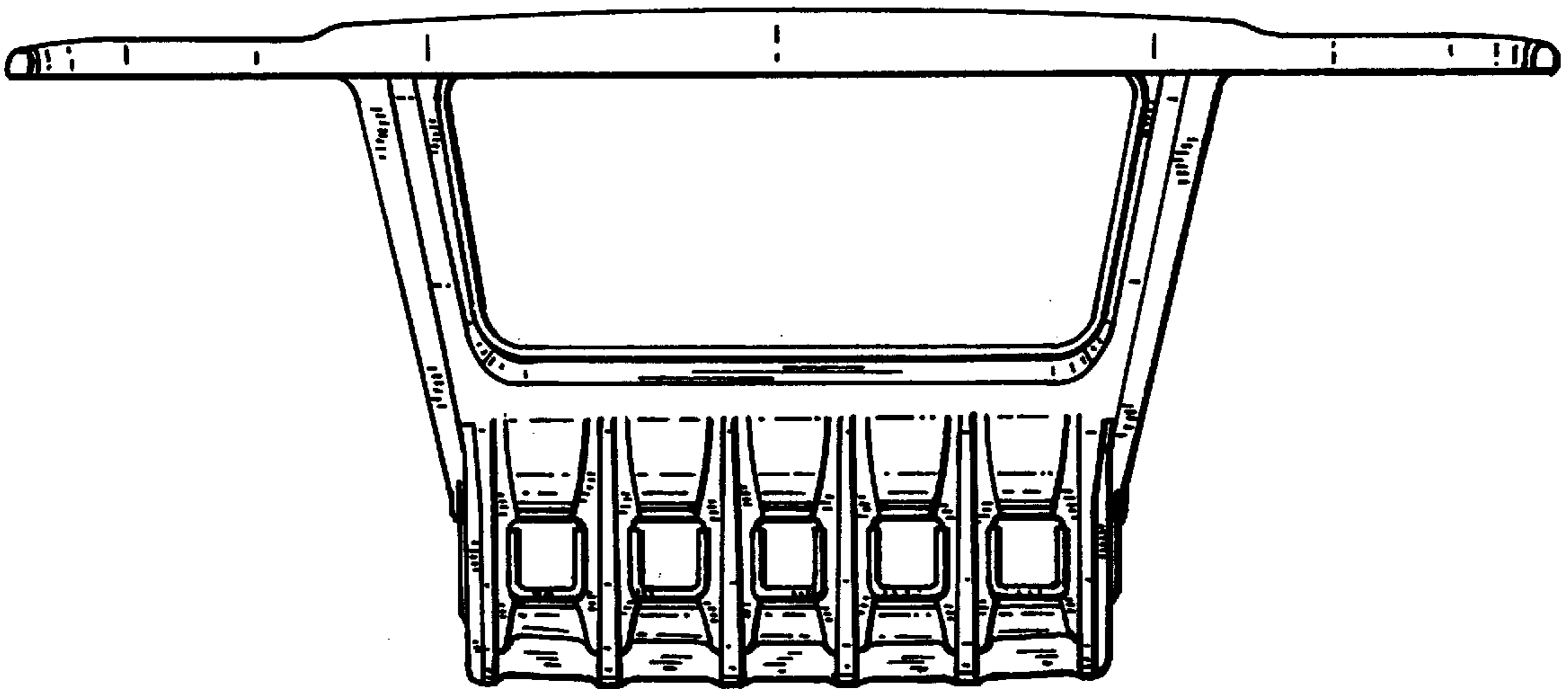


FIG. 6.