



US00D420960S

United States Patent [19] Sousamian

[11] **Patent Number: Des. 420,960**

[45] **Date of Patent: ** Feb. 22, 2000**

[54] **VEHICLE GRILLE VALANCE COVER**

[75] Inventor: **Timothy W. Sousamian**, Whittier, Calif.

[73] Assignee: **Performance Marketing, Inc.**, Garden Grove, Calif.

[**] Term: **14 Years**

[21] Appl. No.: **29/095,725**

[22] Filed: **Oct. 29, 1998**

[51] **LOC (7) Cl.** **12-16**

[52] **U.S. Cl.** **D12/163**

[58] **Field of Search** D12/163, 171;
293/115, 117, 120; 180/68.6

[56] **References Cited**

U.S. PATENT DOCUMENTS

D. 286,999	12/1986	Hiranka	D12/163
D. 290,830	7/1987	Inada	D12/163
D. 293,230	12/1987	Kawaoki	D12/163
D. 318,835	8/1991	Partin	D12/169

OTHER PUBLICATIONS

Trader's 1997 Accessories Catalog #9, Dec. 26, 1996, front cover.

Sport Truck magazine, Jul. 3, 1997, front cover.

Primary Examiner—Melody N. Brown
Attorney, Agent, or Firm—Lyon & Lyon LLP

[57] **CLAIM**

The ornamental design for a vehicle grille valance cover, as shown and described.

DESCRIPTION

FIG. 1 is a perspective view of a vehicle grille valance cover embodying my new design, the front perspective of a vehicle being shown fragmentally to show the environment in which the vehicle grille valance cover is used, the broken lines being for illustrative purposes only, and forming no part of the claimed design.

FIG. 2 is a perspective view of the vehicle grille valance cover.

FIG. 3 is a front elevational view of the vehicle grille valance cover.

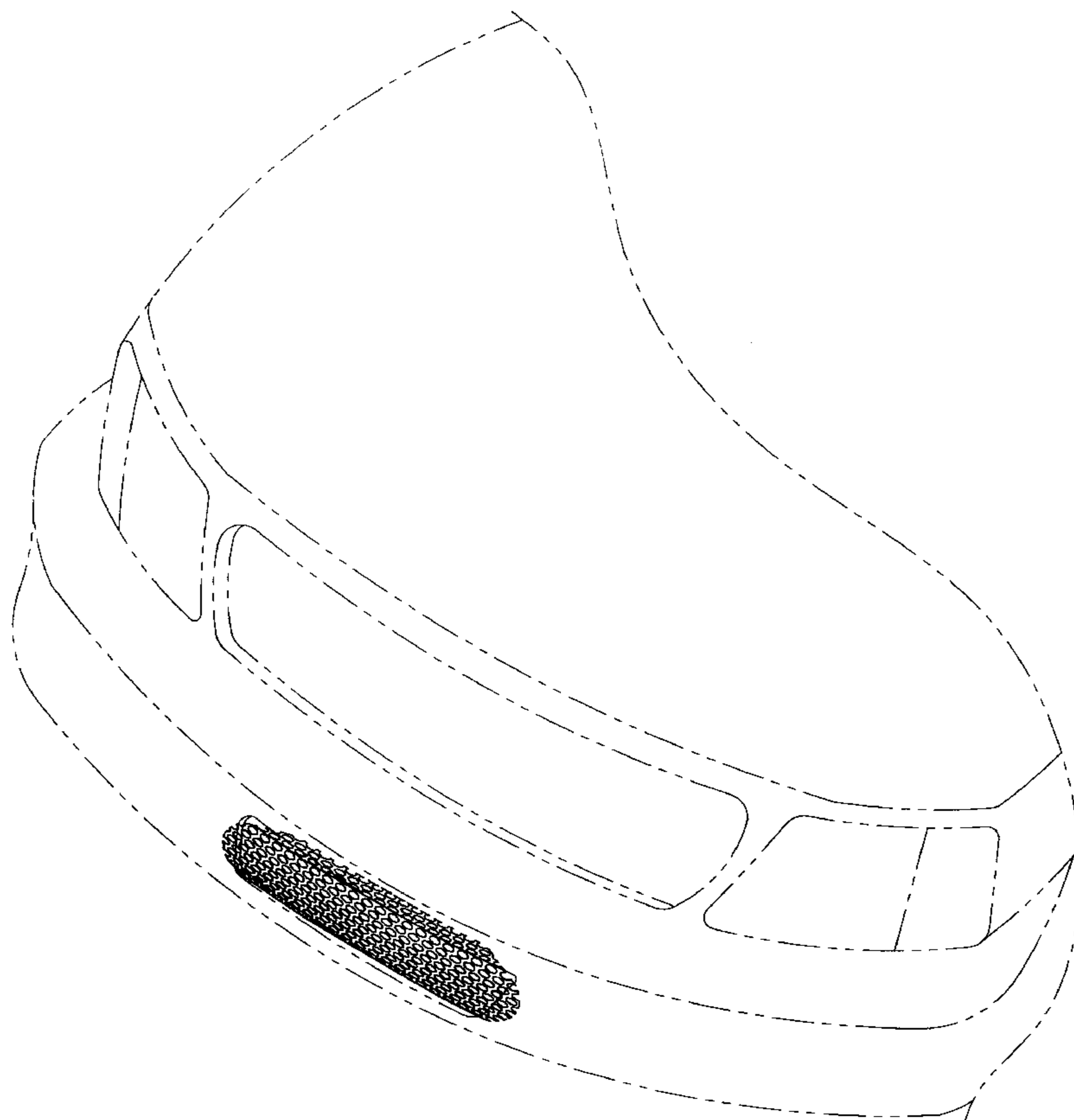
FIG. 4 is a top plan view of the vehicle grille valance cover.

FIG. 5 is a right side view of the vehicle grille valance cover, the left side view being a mirror image thereof.

FIG. 6 is a rear elevational view of the vehicle grille valance cover; and,

FIG. 7 is a bottom plan view of the vehicle grille valance cover.

1 Claim, 2 Drawing Sheets



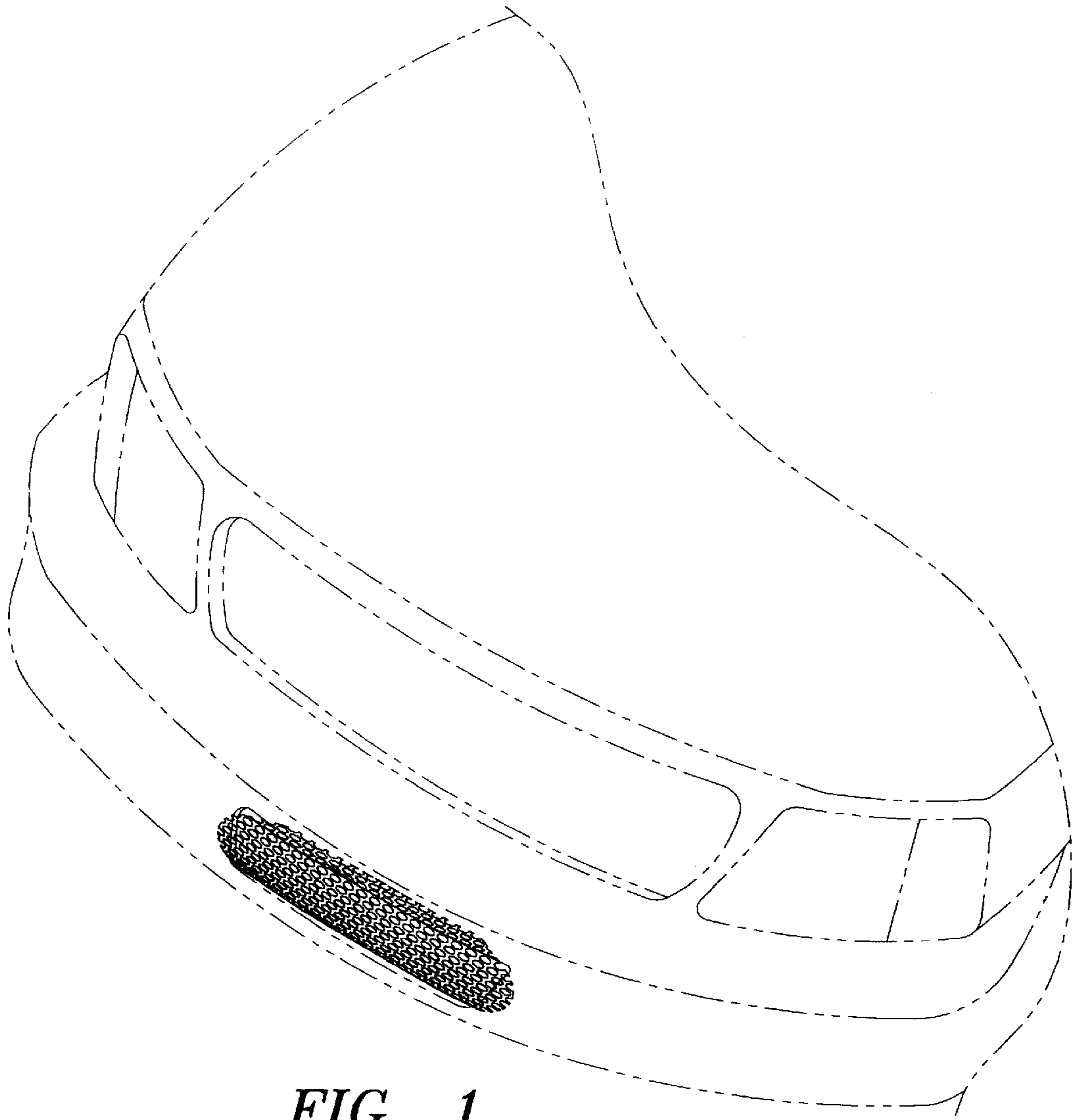


FIG. 1

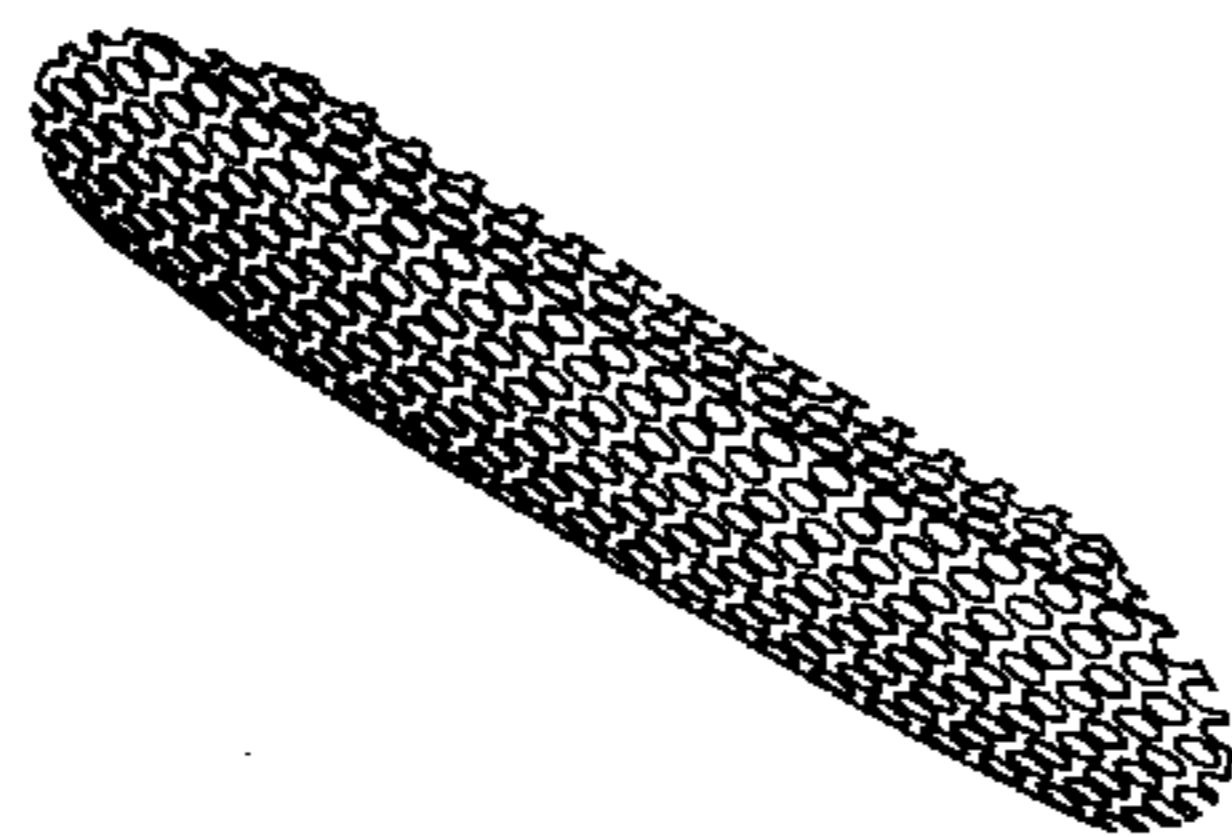


FIG. 2

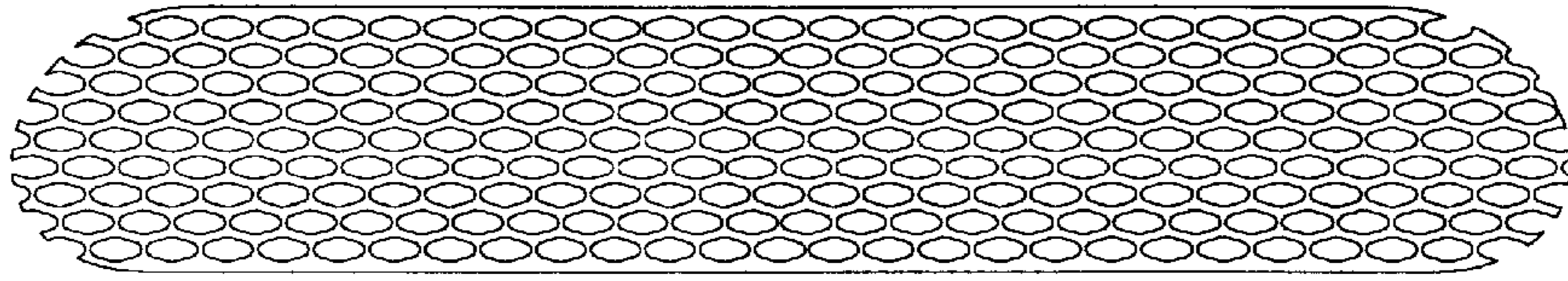


FIG. 3



FIG. 4



FIG. 5

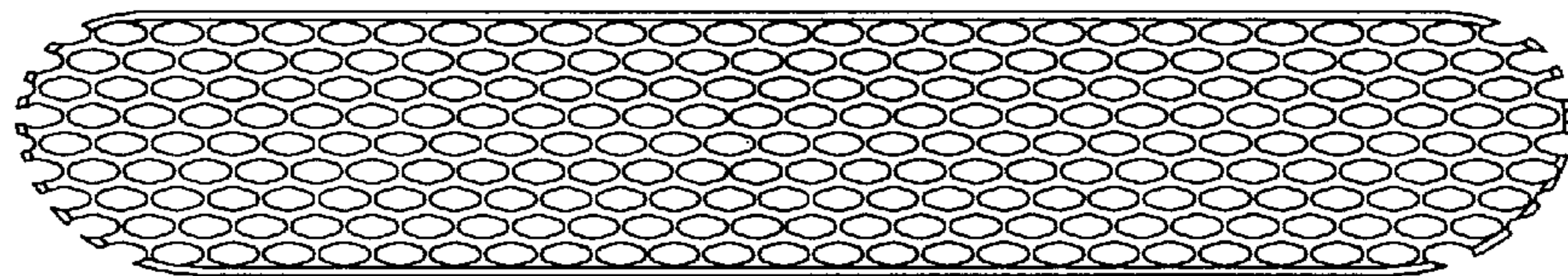


FIG. 6



FIG. 7