



US00D420956S

# United States Patent [19]

Rodicq et al.

[11] Patent Number: Des. 420,956

[45] Date of Patent: \*\* Feb. 22, 2000

[54] TIRE TREAD

[75] Inventors: **Christophe Rodicq**, Lommerange, France; **Phuoc Thuan Le**, Attert; **Michel Etienne Joseph Marquet**, Bastogne, both of Belgium

[73] Assignee: **The Goodyear Tire & Rubber Company**, Akron, Ohio

[\*\*] Term: **14 Years**

[21] Appl. No.: **29/102,380**

[22] Filed: **Mar. 24, 1999**

[51] LOC (7) Cl. .... **12-15**

[52] U.S. Cl. .... **D12/147**

[58] Field of Search ..... D12/136-152;  
152/209.1, 209.8, 209.9, 209.11, 209.13,  
209.28, 900, 902, 903

### [56] References Cited

#### U.S. PATENT DOCUMENTS

D. 215,525	10/1969	Brown et al. .	
D. 226,790	4/1973	Blankenship .	
D. 234,926	4/1975	Allen et al. .	
D. 279,364	6/1985	Kusube .	
D. 279,890	7/1985	Kusube .	
D. 282,456	2/1986	Larsen et al. .	
D. 316,065	4/1991	Tsuda et al. ....	D12/142
D. 336,267	6/1993	Bonvini et al. .	
D. 368,690	4/1996	Heinen et al. ....	D12/147
D. 397,652	9/1998	Le et al. ....	D12/147

D. 410,420	6/1999	De Barys .....	D12/147
D. 410,602	6/1999	Matsuda .....	D12/147
D. 413,089	8/1999	Matsuda .....	D12/147

#### OTHER PUBLICATIONS

Kelly-Springfield Armorstell KDMI Tire, 1997 Tread Design Guide, p. 147. 4/4.  
Peerless Wheel Trac Radial At Tire, 1997 Tread Design Guide, p. 60 3/4.  
Road King Trans Trac Radial At Tire, 1997 Tread Design Guide, p. 116, 4/1.

*Primary Examiner*—Robert M. Spear  
*Attorney, Agent, or Firm*—T P Lewandowski

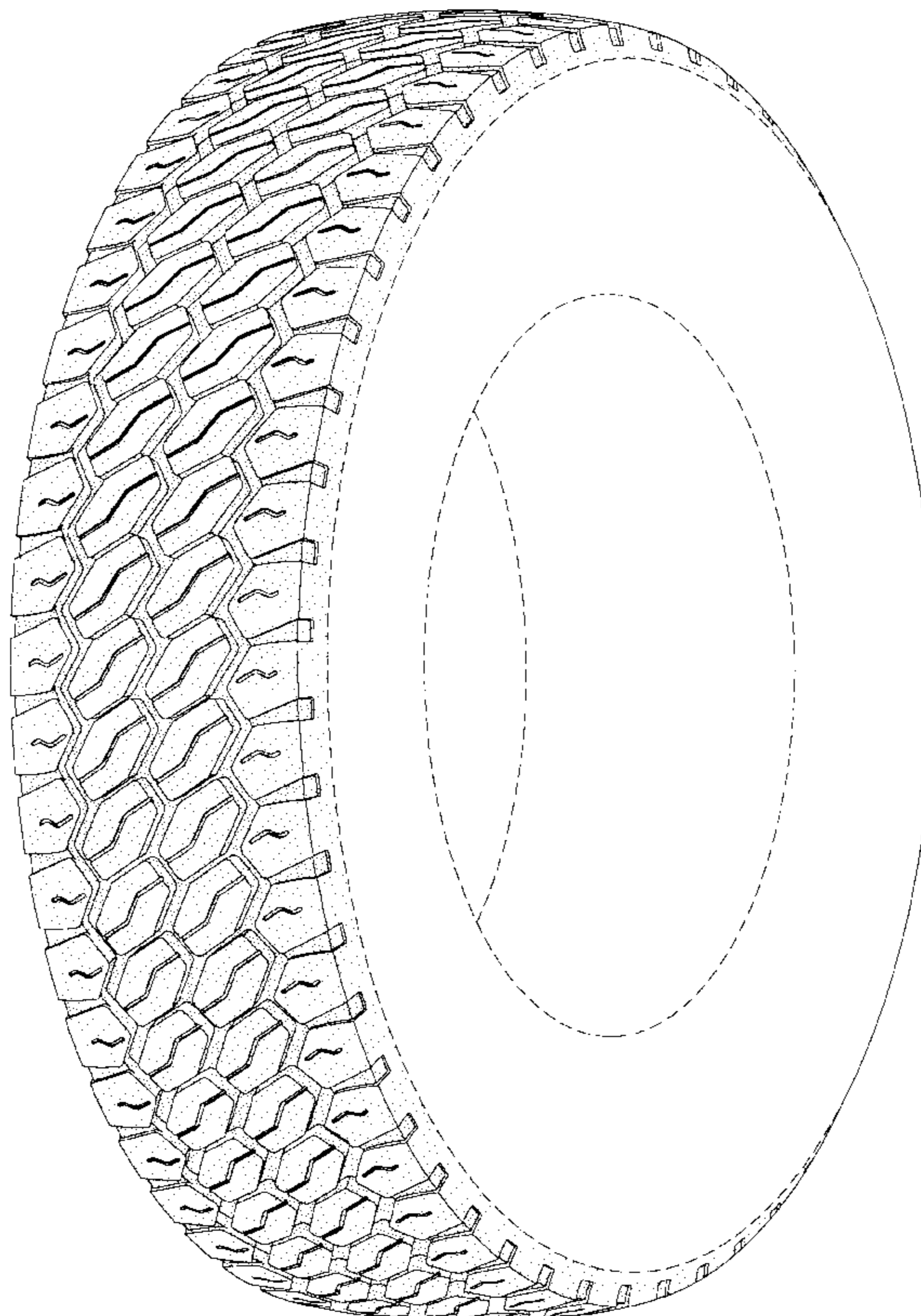
#### [57] CLAIM

The ornamental design for a tire tread, as shown and described.

#### DESCRIPTION

FIG. 1 is a perspective view of a tire tread showing our new design, it being understood that the pattern repeats uniformly throughout the circumference of the tread; FIG. 2 is a front elevational view thereof; FIG. 3 is a side elevational view thereof, the opposite side elevational view being identical thereto; and, FIG. 4 is an enlarged fragmentary perspective view. In the drawings, the broken lines defining the inner bead of the sidewall and the peripheral boundary between the tire tread and the sidewall are for illustrative purposes only and form no part of the claimed design.

**1 Claim, 4 Drawing Sheets**



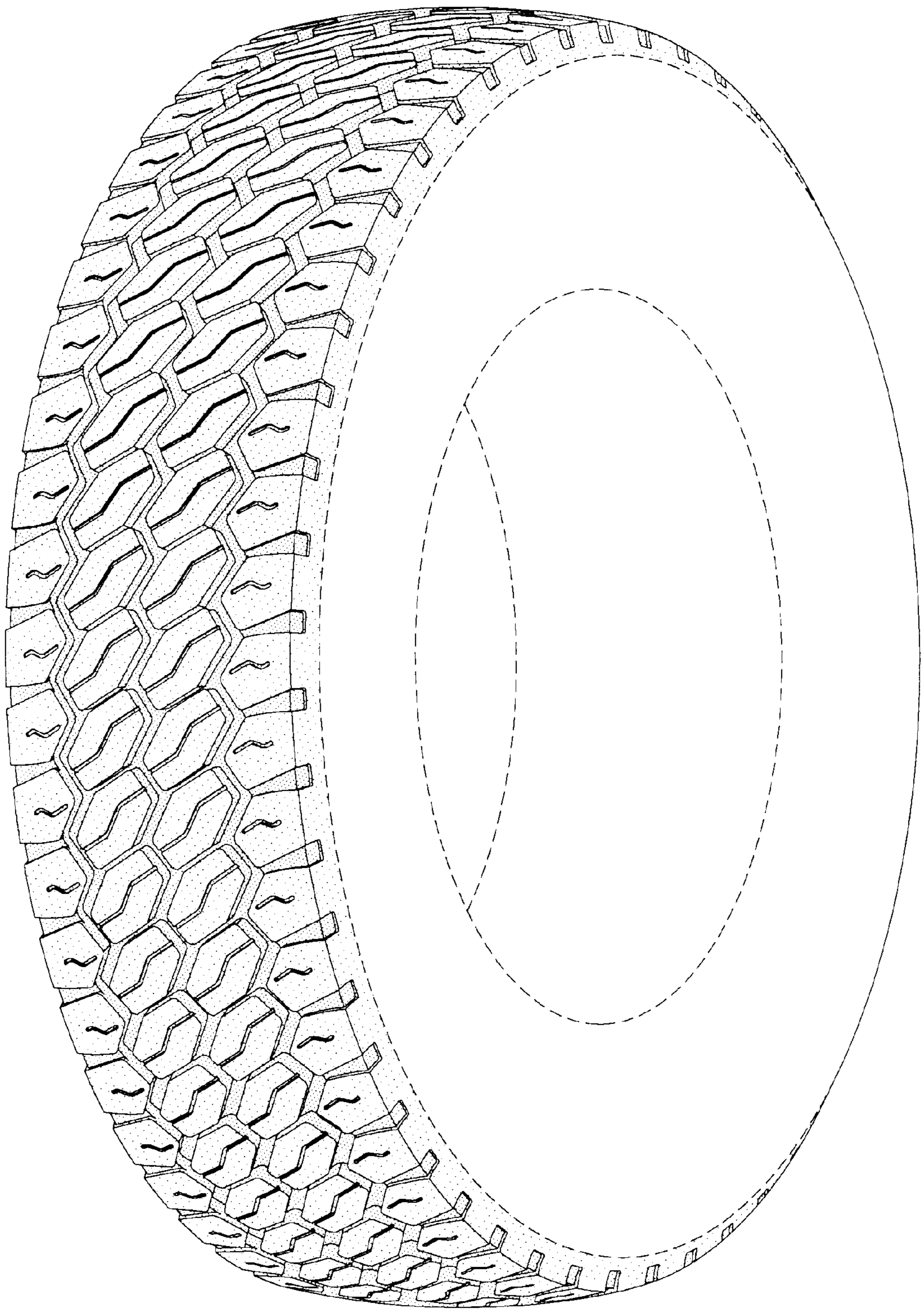


FIG-1

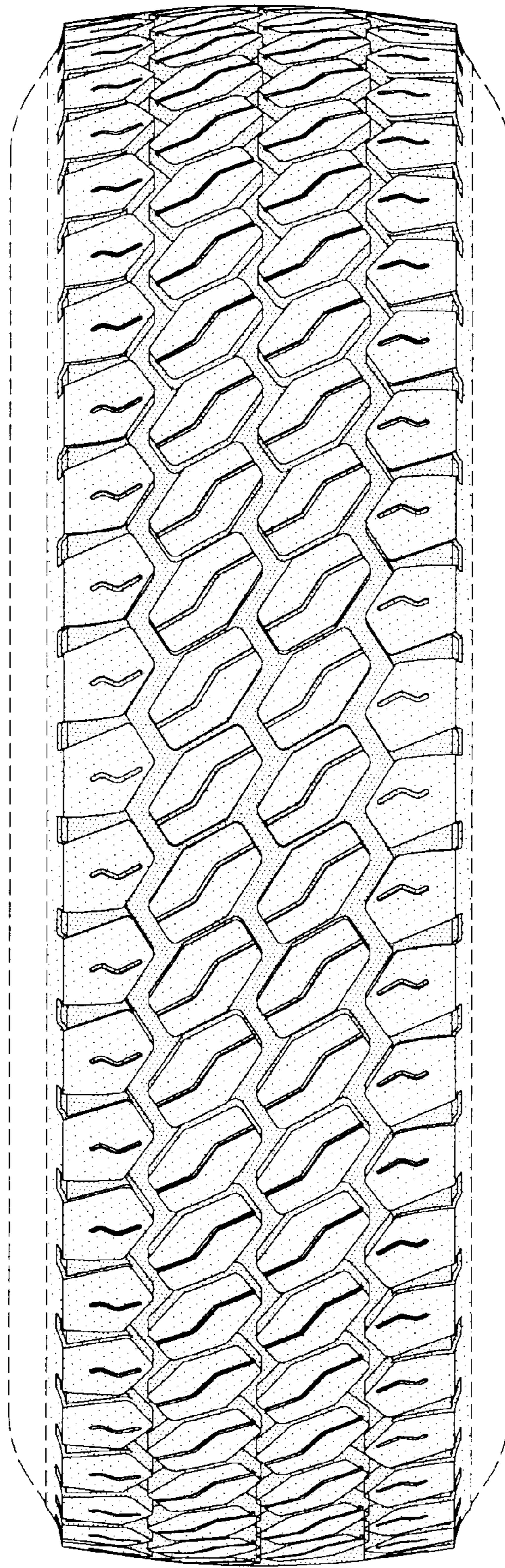


FIG-2

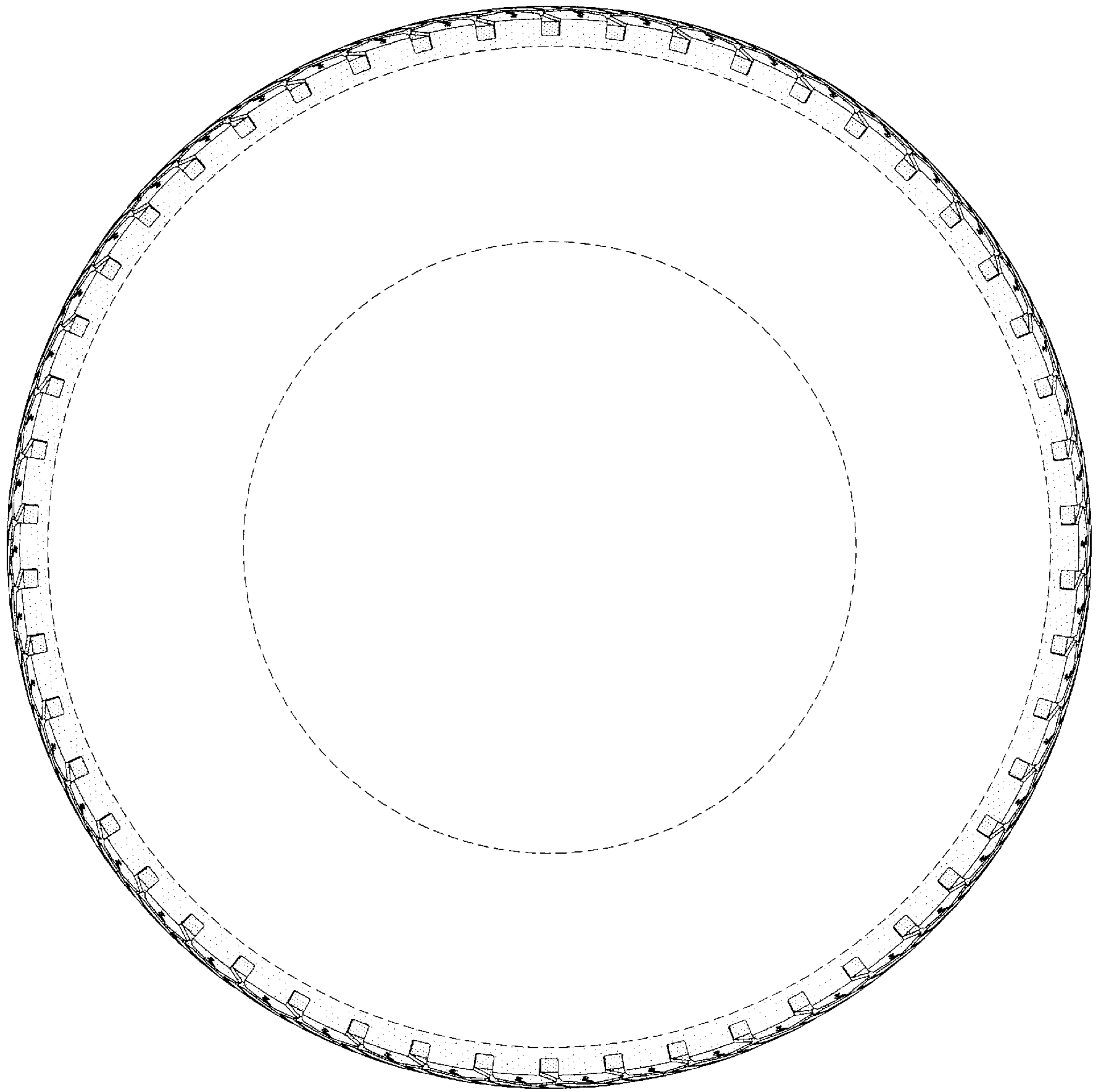


FIG-3

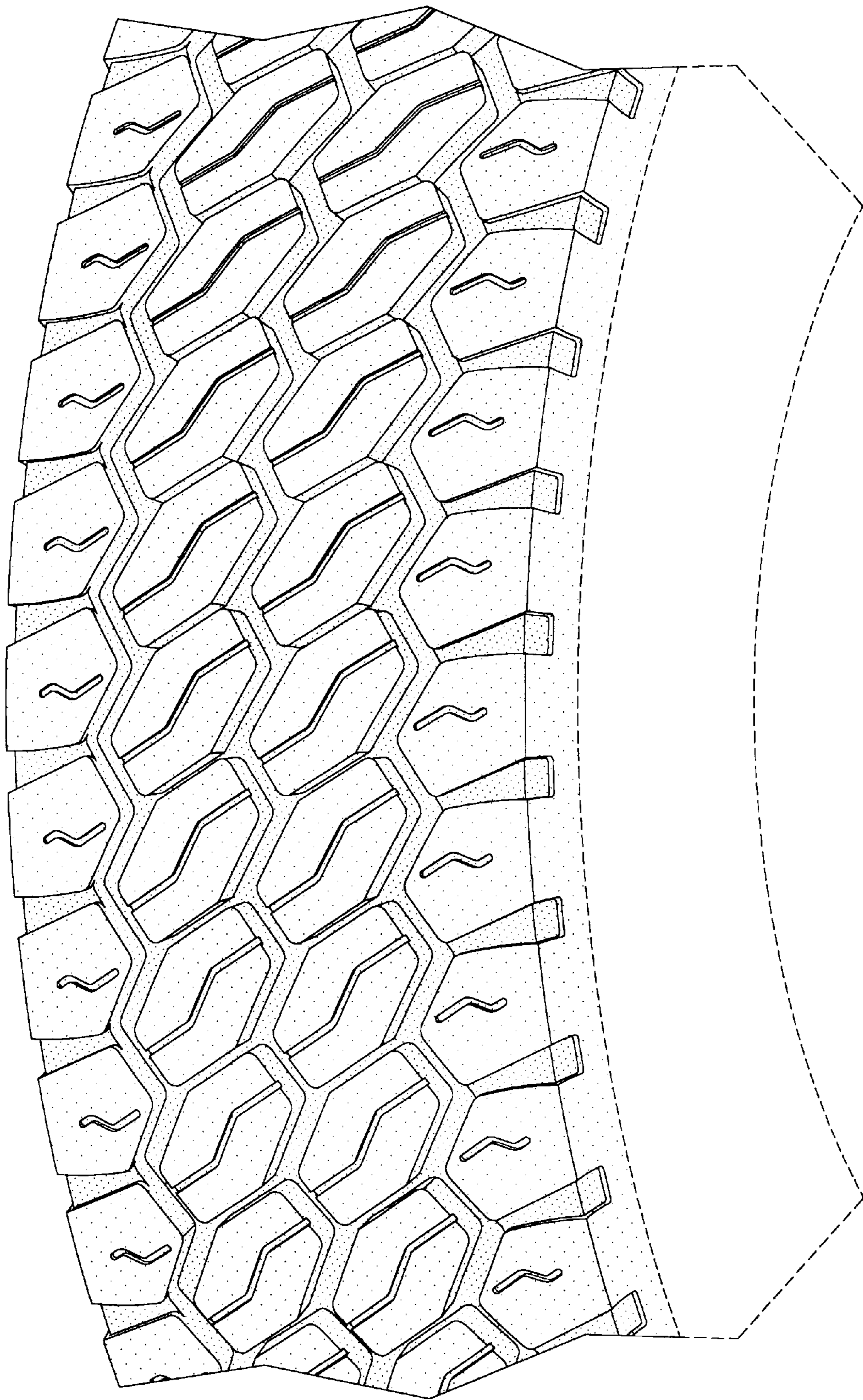


FIG-4