



US00D420955S

United States Patent [19]
Ratliff, Jr.

[11] **Patent Number: Des. 420,955**

[45] **Date of Patent: ** Feb. 22, 2000**

[54] **TIRE TREAD**

[75] Inventor: **Billy Joe Ratliff, Jr.**, Akron, Ohio

[73] Assignee: **The Goodyear Tire & Rubber Company**, Akron, Ohio

[**] Term: **14 Years**

[21] Appl. No.: **29/102,352**

[22] Filed: **Mar. 23, 1999**

[51] **LOC (7) Cl.** **12-15**

[52] **U.S. Cl.** **D12/147**

[58] **Field of Search** D12/136-152;
152/209.1, 209.8, 209.9, 209.11, 209.13,
209.28, 900, 902, 903

- D. 365,068 12/1995 Kotanides, Jr. et al. D12/147
- D. 365,069 12/1995 Kotanides, Jr. et al. D12/147
- D. 374,200 10/1996 Kinoshita .
- D. 384,922 10/1997 Ratliff, Jr. D12/147
- D. 389,790 1/1998 Himuro .
- D. 390,171 2/1998 Ishida et al. .
- 5,421,391 6/1995 Himuro .

Primary Examiner—Robert M. Spear
Attorney, Agent, or Firm—T P Lewandowski

[57] **CLAIM**

The ornamental design for a tire tread, as shown and described.

DESCRIPTION

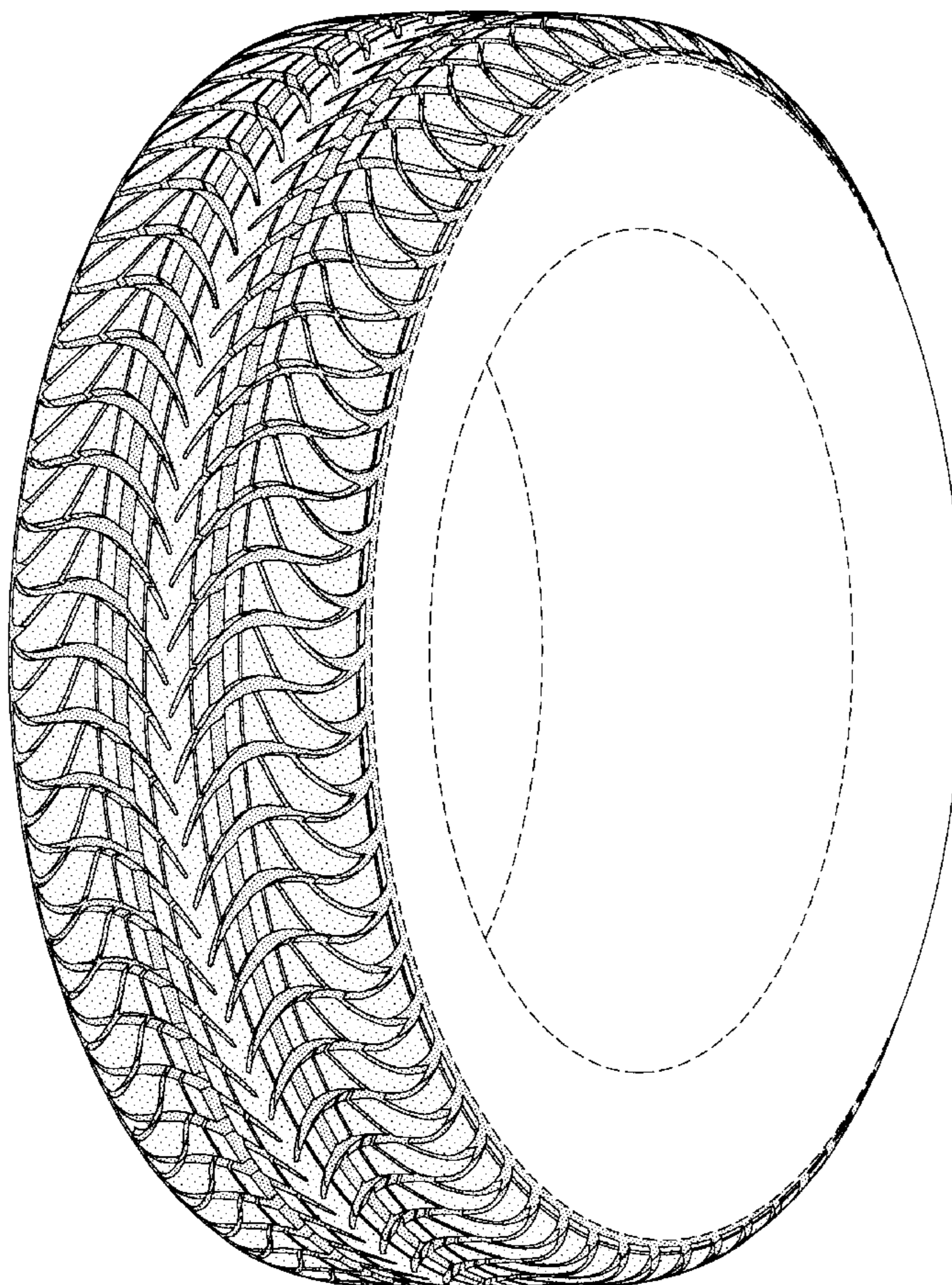
FIG. 1 is a perspective view of a tire tread showing our new design, it being understood that the pattern repeats uniformly throughout the circumference of the tread;
FIG. 2 is a front elevational view thereof;
FIG. 3 is a side elevational view thereof, the opposite side elevational view being identical thereto; and,
FIG. 4 is an enlarged fragmentary perspective view.
In the drawings, the broken lines defining the inner bead of the sidewall and the peripheral boundary between the tire tread and the sidewall are for illustrative purposes only and form no part of the claimed design.

[56] **References Cited**

U.S. PATENT DOCUMENTS

- D. 283,499 4/1986 Hammond .
- D. 324,840 3/1992 Maxwell et al. .
- D. 328,729 8/1992 Maxwell et al. .
- D. 337,291 7/1993 Hirose .
- D. 340,686 10/1993 Baker .
- D. 340,895 11/1993 Himuro et al. .
- D. 344,050 2/1994 Overhoff et al. .
- D. 346,350 4/1994 Himuro et al. .
- D. 362,221 9/1995 Van Emburg .

1 Claim, 4 Drawing Sheets



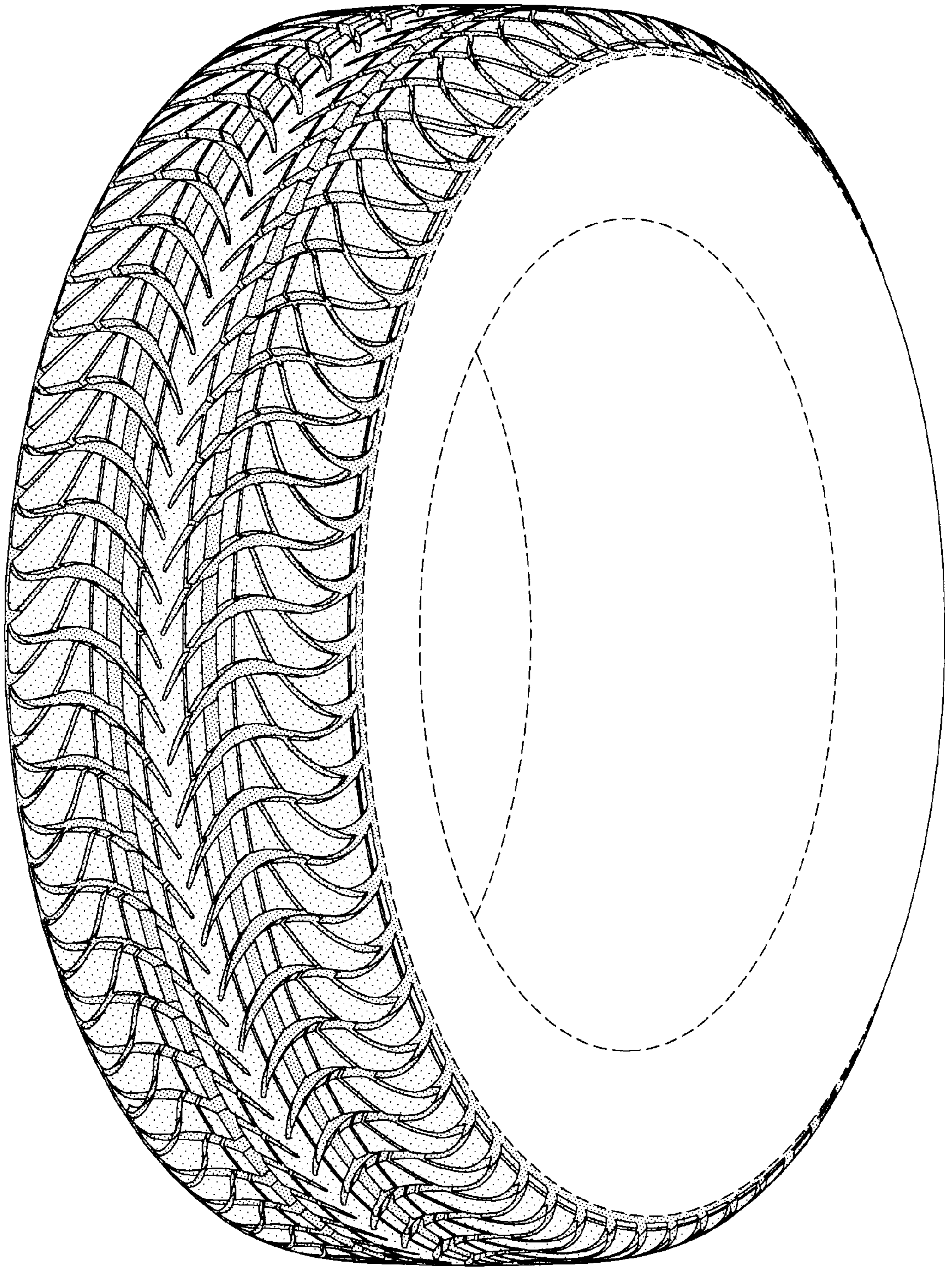


FIG-1

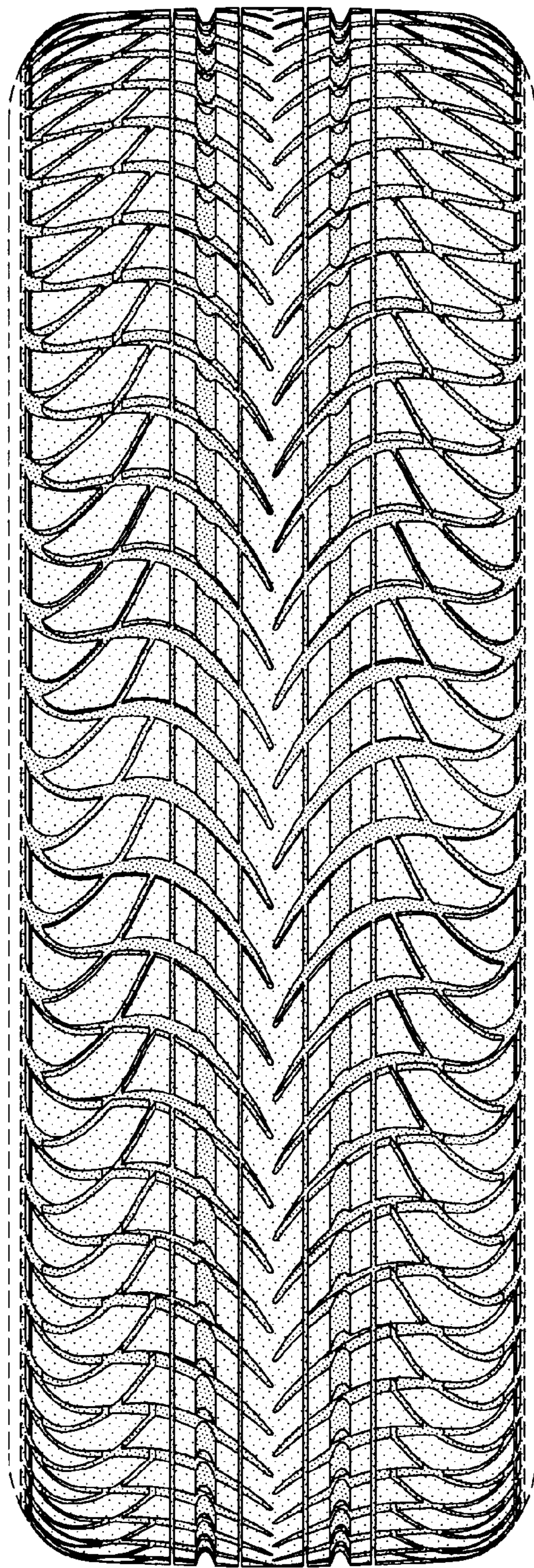


FIG-2

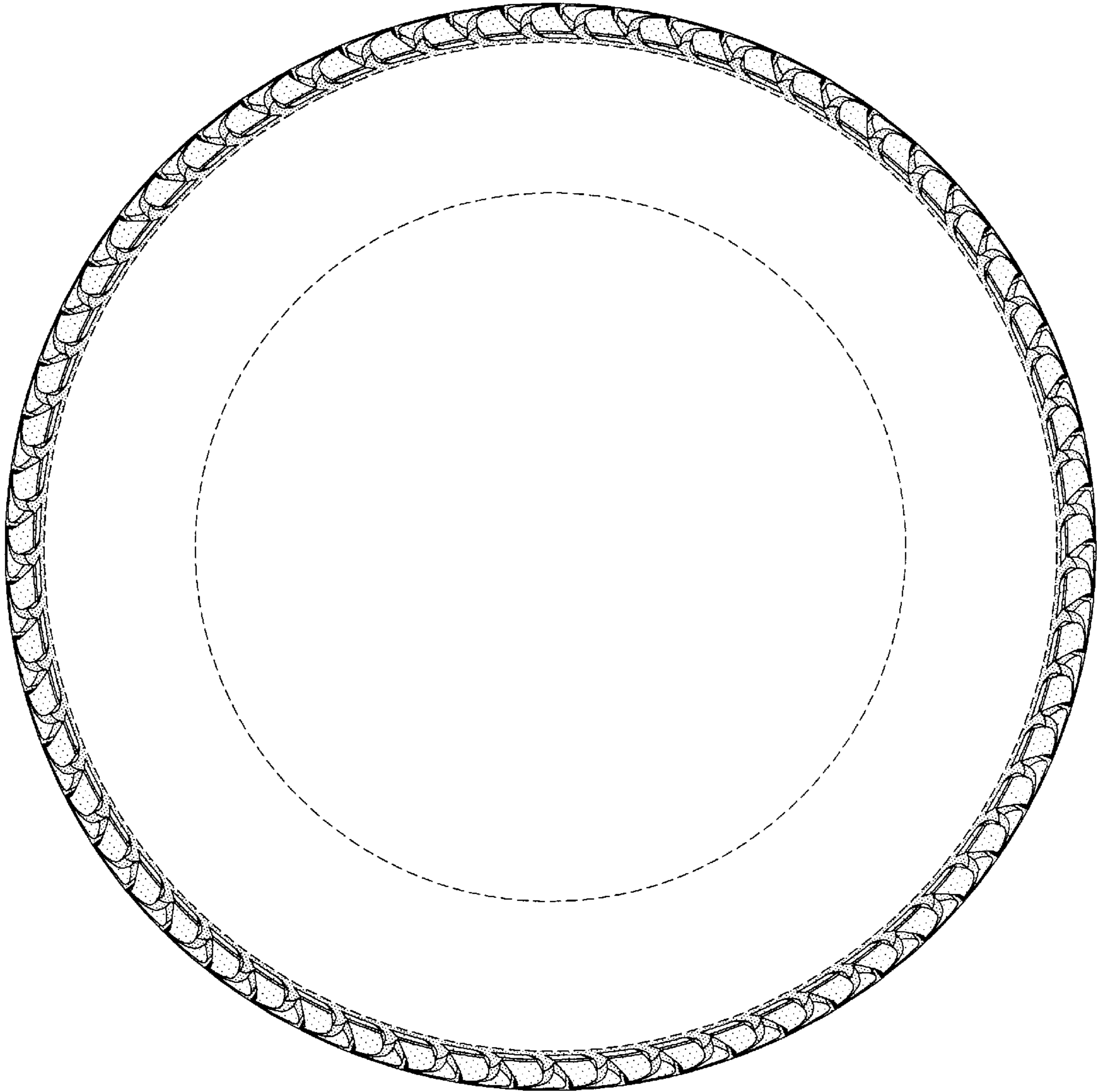


FIG-3

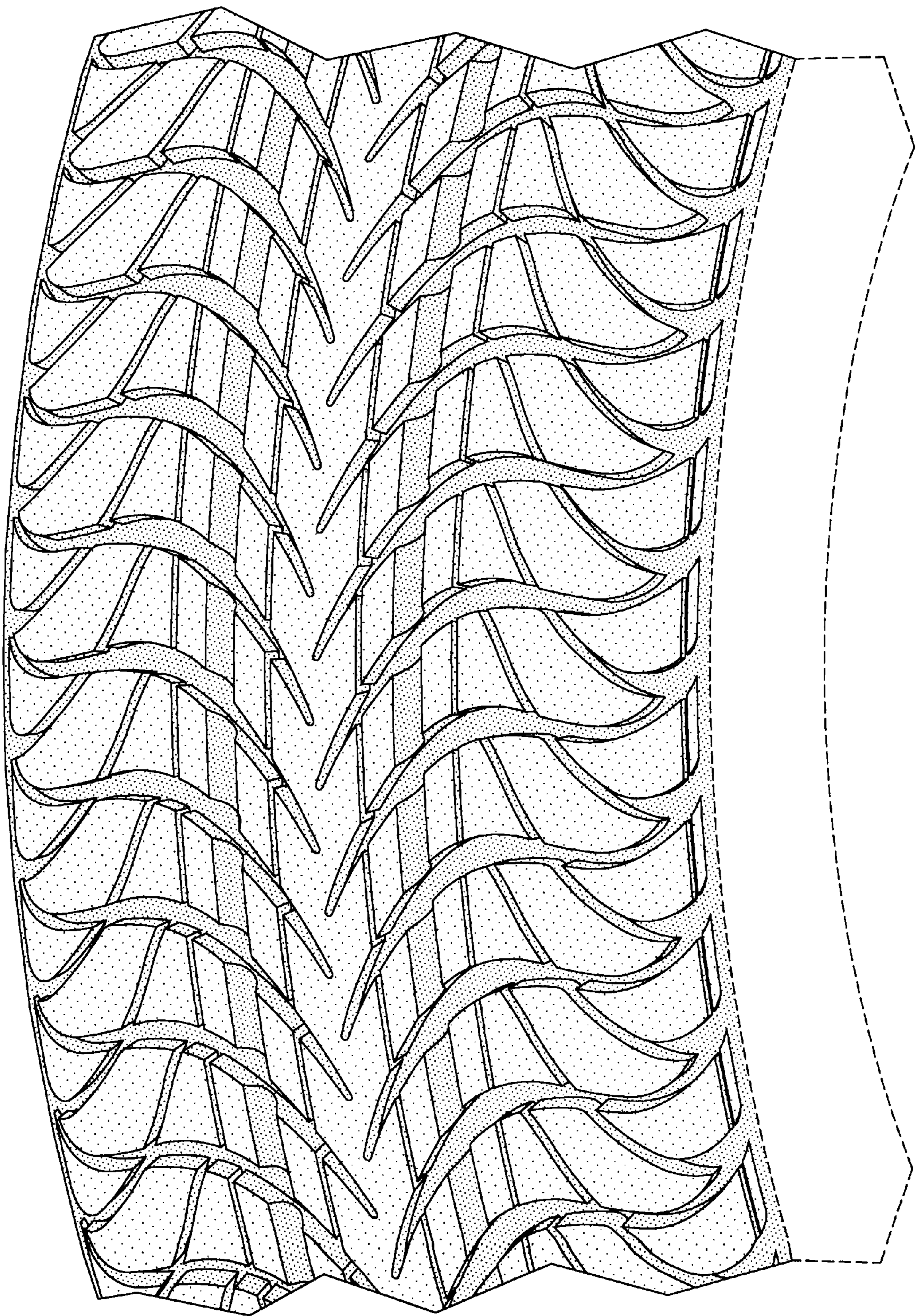


FIG-4