



US00D420953S

# United States Patent [19] Poling

[11] Patent Number: **Des. 420,953**

[45] Date of Patent: **\*\* Feb. 22, 2000**

[54] **TIRE TREAD**

[75] Inventor: **David Charles Poling**, Uniontown, Ohio

[73] Assignee: **The Goodyear Tire & Rubber Company**, Akron, Ohio

[\*\*] Term: **14 Years**

[21] Appl. No.: **29/101,831**

[22] Filed: **Mar. 11, 1999**

[51] **LOC (7) Cl.** ..... **12-15**

[52] **U.S. Cl.** ..... **D12/147**

[58] **Field of Search** ..... D12/136-152;  
152/209.1, 209.8, 209.9, 209.11, 209.13,  
209.28, 900, 902, 903

[56] **References Cited**

**U.S. PATENT DOCUMENTS**

D. 315,538	3/1991	Graas	.....	D12/149
D. 335,645	5/1993	Miyoshi	.....	D12/147
D. 347,606	6/1994	Mehta	.....	D12/147
D. 350,513	9/1994	Mehta et al.	.....	D12/147
D. 362,215	9/1995	White	.....	D12/147
D. 364,134	11/1995	Himuro et al.	.....	D12/146
D. 377,922	2/1997	Van Der Meer et al.	.....	D12/147
D. 381,000	7/1997	White	.....	D12/147
D. 390,174	2/1998	White	.....	D12/147
D. 390,519	2/1998	White	.....	D12/147
D. 395,415	6/1998	Graas	.....	D12/147
D. 395,625	6/1998	Mori	.....	D12/147
D. 402,243	12/1998	Heinen	.....	D12/147
4,298,046	11/1981	Herbelleau et al.	.....	152/209 R
4,598,747	7/1986	Flechtner	.....	152/209 R
4,934,424	6/1990	Kojima	.....	152/209 R
5,031,680	7/1991	Kajikawa et al.	.....	152/209 R
5,571,351	11/1996	Hatakenaka et al.	.....	152/209 R
5,591,280	1/1997	Asano	.....	152/209 R
5,605,588	2/1997	Hatakenaka et al.	.....	152/209 R

5,647,926	7/1997	Van Der Meer et al.	.....	152/209 R
5,660,651	8/1997	Diensthuber	.....	152/209 A
5,711,828	1/1998	Himuro	.....	152/209 R
5,785,780	7/1998	Ochi	.....	152/209 R
5,814,169	9/1998	Yamaguchi et al.	.....	152/209 R
5,833,779	11/1998	Van Der Meer et al.	.....	152/209 R

**OTHER PUBLICATIONS**

Dunlap G/T Winter Studdable Tire, 1997 Tread Design Guide, p. 26. 4/3, Jan. 1997.  
Hankook Mileage Plus 845 Tire, 1997 Tread Design Guide, p. 39. 2/4/, Jan. 1997.  
Michelin LTX M/S Tire, 1997 Tread Design Guide, p. 109. 2/2, Jan. 1997.  
National XT Commando Tire, 1997 Tread Design Guide, p. 112. 4/3, Jan. 1997.  
1998 Tread Design Guide, p. 231, Truck Retread Designs Bandag Metromax Rib Light Truck and Bandag Metromax Drive Light Truck.

*Primary Examiner*—Robert M. Spear  
*Attorney, Agent, or Firm*—T P Lewandowski

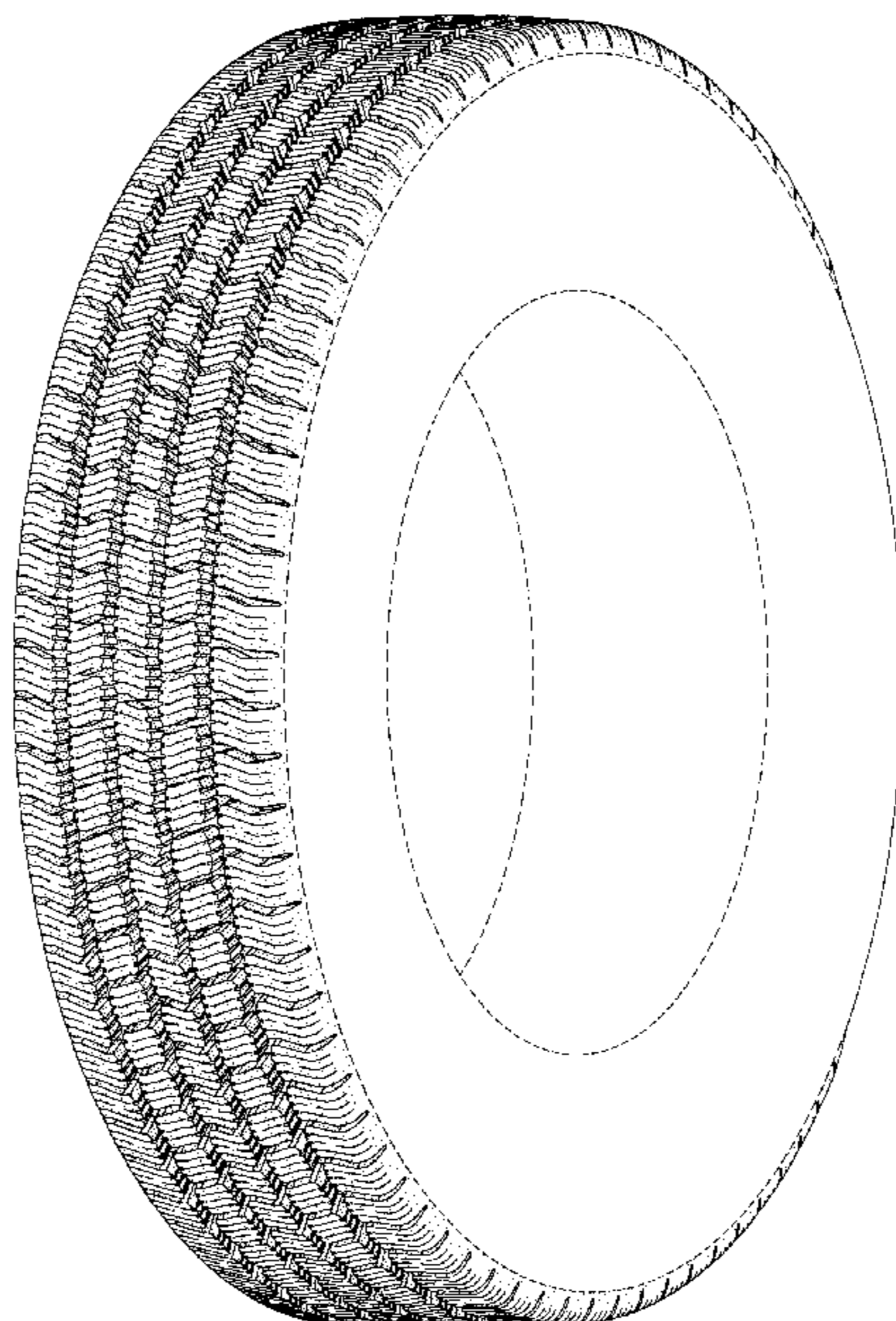
[57] **CLAIM**

The ornamental design for a tire tread, as shown and described.

**DESCRIPTION**

FIG. 1 is a perspective view of a tire tread showing our new design, it being understood that the pattern repeats uniformly throughout the circumference of the tread;  
FIG. 2 is a front elevational view thereof;  
FIG. 3 is a side elevational view thereof, the opposite side elevational view being identical thereto; and,  
FIG. 4 is an enlarged fragmentary perspective view.  
In the drawings, the broken lines defining the inner bead of the sidewall and the peripheral boundary between the tire tread and the sidewall are for illustrative purposes only and form no part of the claimed design.

**1 Claim, 4 Drawing Sheets**



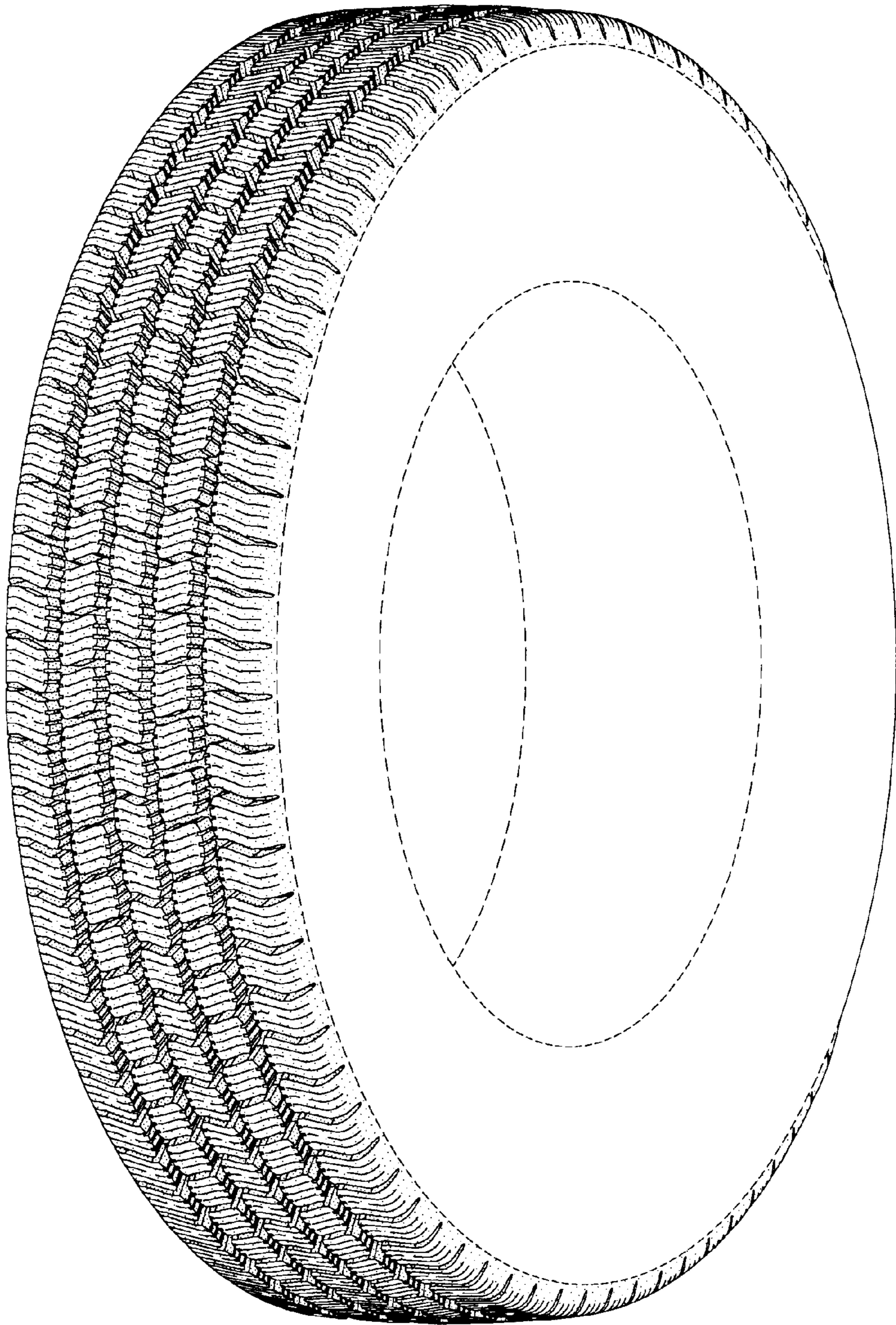


FIG-1

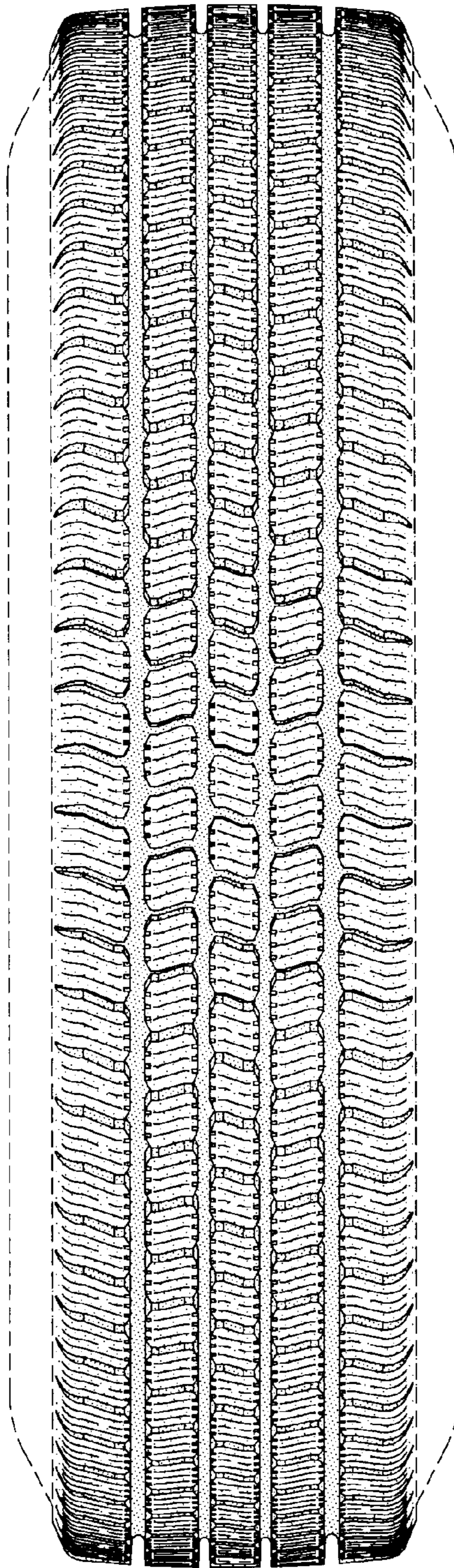


FIG-2

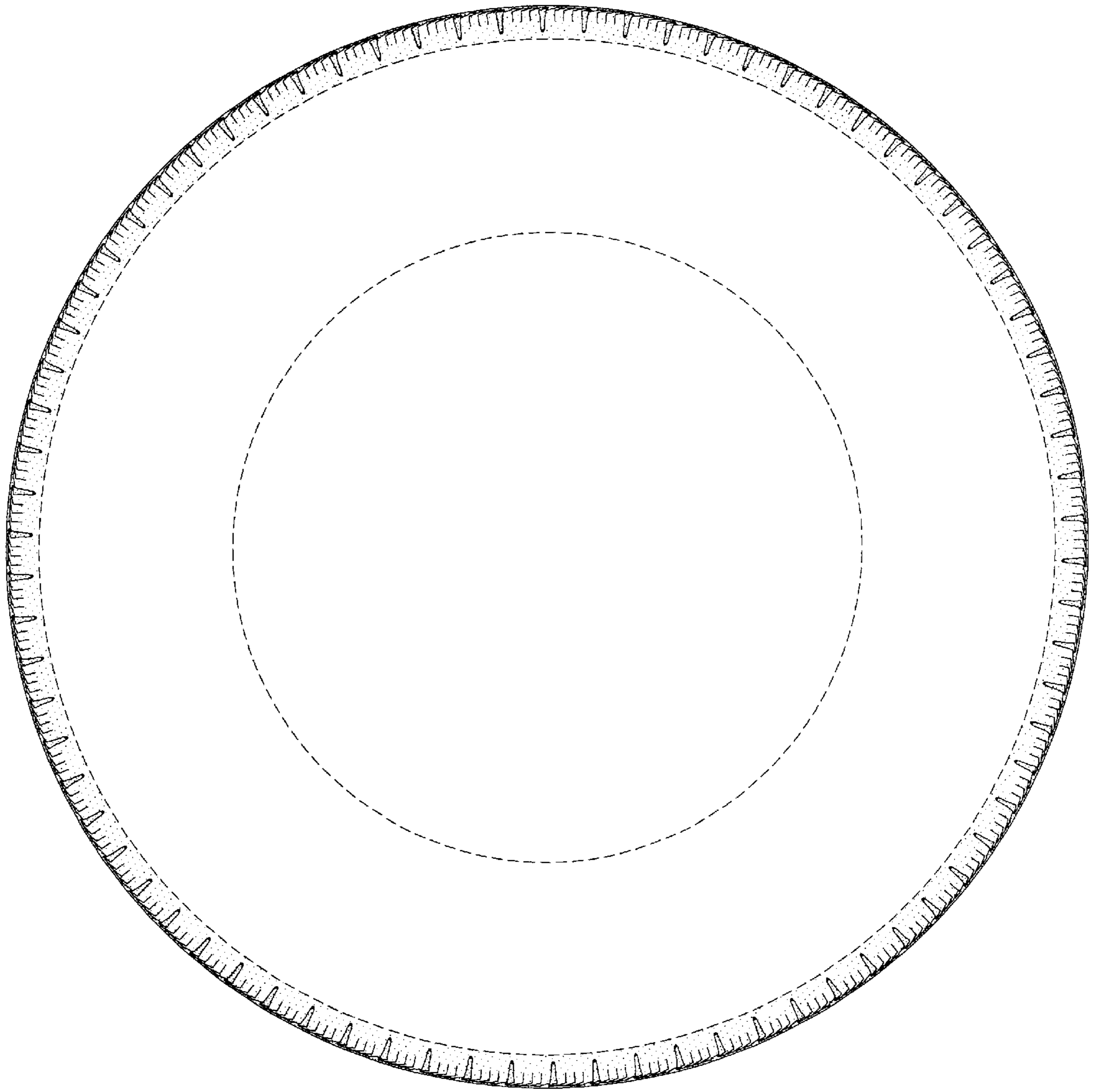


FIG-3

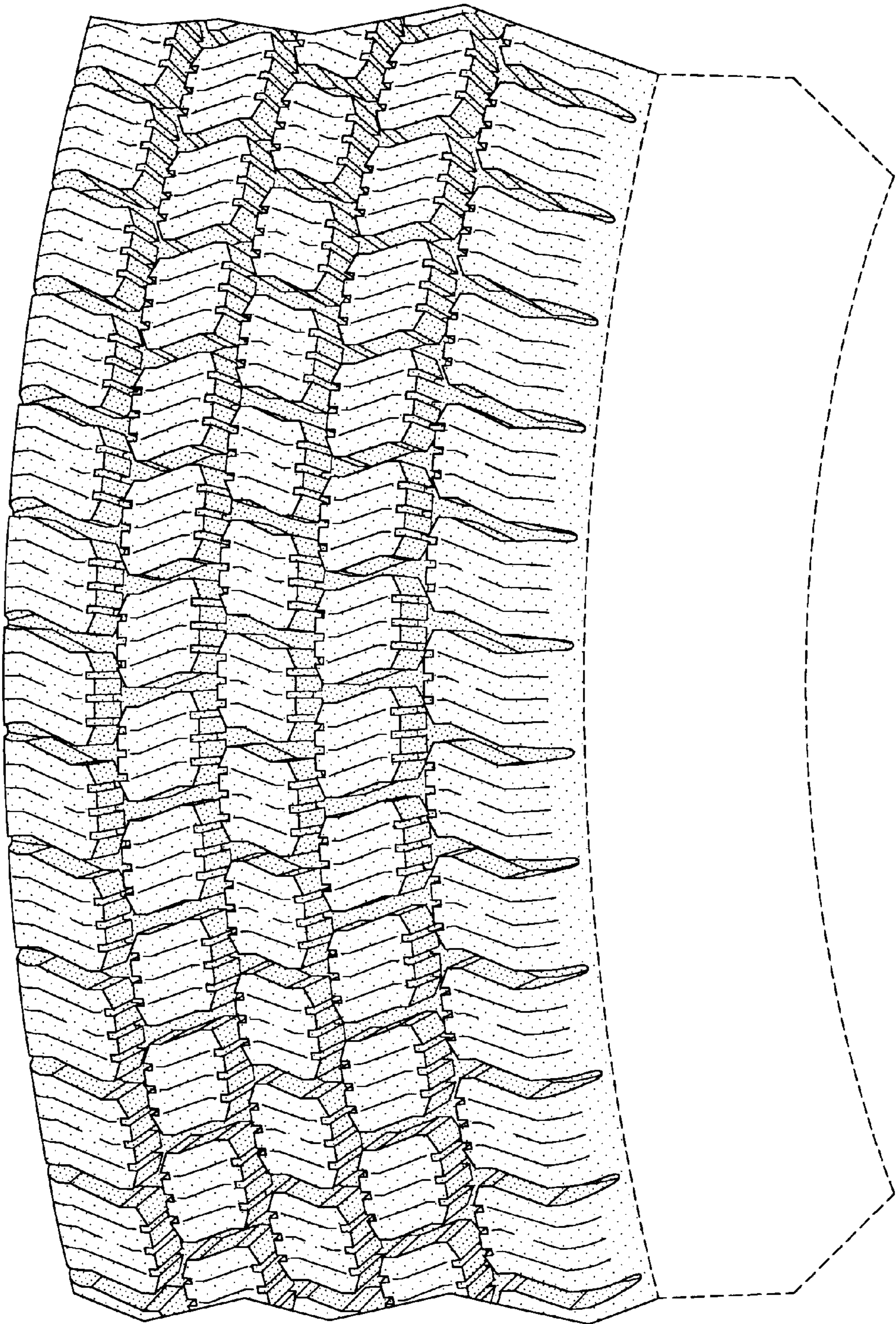


FIG-4