



US00D420952S

# United States Patent [19]

Villamizar et al.

[11] Patent Number: **Des. 420,952**

[45] Date of Patent: **\*\* Feb. 22, 2000**

[54] **TIRE TREAD**

[75] Inventors: **William Urbano Villamizar**, Mersch, Luxembourg; **Richard Heinen**, Habay-la-Neuve, Belgium

[73] Assignee: **The Goodyear Tire & Rubber Company**, Akron, Ohio

[\*\*] Term: **14 Years**

[21] Appl. No.: **29/101,314**

[22] Filed: **Feb. 26, 1999**

[51] **LOC (7) Cl.** ..... **12-15**

[52] **U.S. Cl.** ..... **D12/147**

[58] **Field of Search** ..... D12/136-152;  
152/209.1, 209.8, 209.9, 209.11, 209.13,  
209.28, 900, 902, 903

[56] **References Cited**

**U.S. PATENT DOCUMENTS**

D. 278,618	4/1985	Kojima et al.	.....	D12/147
D. 305,221	12/1989	Minamitani	.....	D12/147
D. 320,772	10/1991	Hasegawa	.....	D12/147
D. 324,665	3/1992	Davis et al.	.....	D12/146
D. 333,452	2/1993	Crano et al.	.....	D12/146
D. 346,774	5/1994	Brayer et al.	.....	D12/147
D. 354,034	1/1995	McKisson	.....	D12/147
D. 384,615	10/1997	Lim et al.	.....	D12/147

D. 388,374	12/1997	Lim et al.	.....	D12/147
D. 390,519	2/1998	White	.....	D12/147
D. 391,204	2/1998	Harpes et al.	.....	D12/147
D. 391,209	2/1998	Villamizar et al.	.....	D12/147
D. 400,832	11/1998	Dixon et al.	.....	D12/147

**OTHER PUBLICATIONS**

Merit DH65 Tire, 1997 Tread Design Guide, p. 50. 3/1. Jan. 1997.

*Primary Examiner*—Robert M. Spear  
*Attorney, Agent, or Firm*—T P Lewandowski

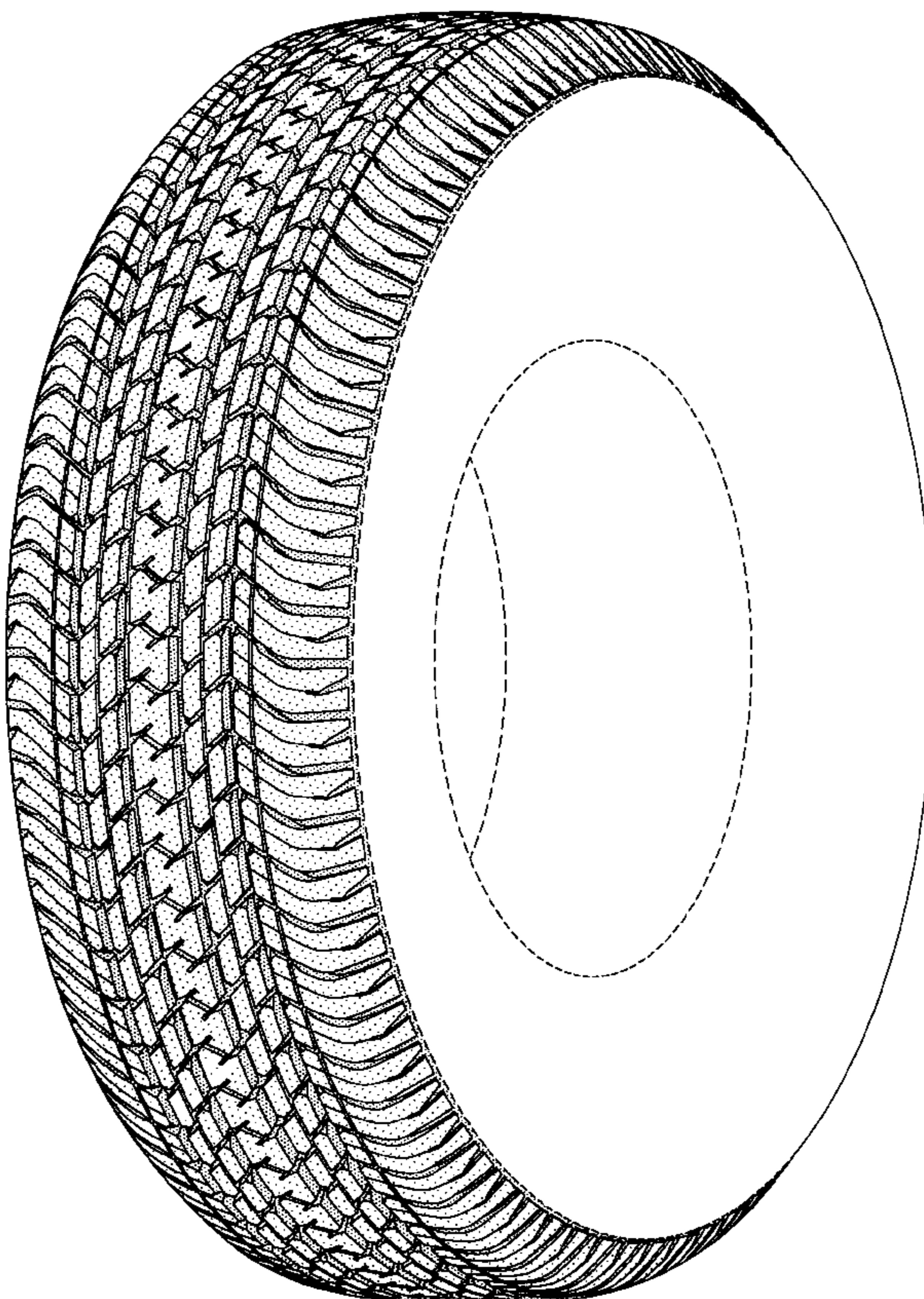
[57] **CLAIM**

The ornamental design for a tire tread, as shown and described.

**DESCRIPTION**

FIG. 1 is a perspective view of a tire tread showing our new design, it being understood that the pattern repeats uniformly throughout the circumference of the tread; FIG. 2 is a front elevational view thereof; FIG. 3 is a side elevational view thereof, the opposite side elevational view being identical thereto; and, FIG. 4 is an enlarged fragmentary perspective view. In the drawings, the broken lines defining the inner bead of the sidewall and the peripheral boundary between the tire tread and the sidewall are for illustrative purposes only and form no part of the claimed design.

**1 Claim, 4 Drawing Sheets**



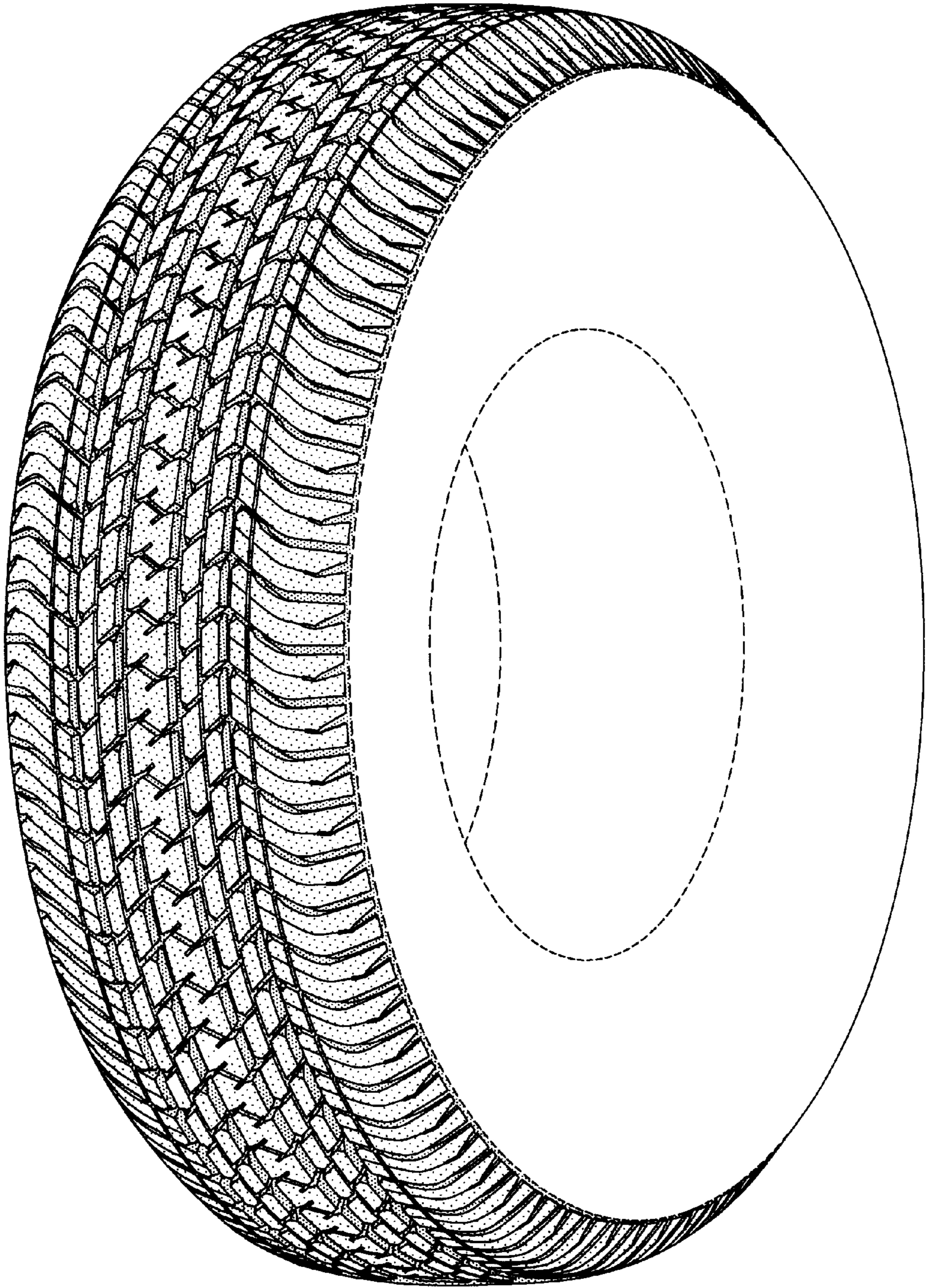


FIG-1

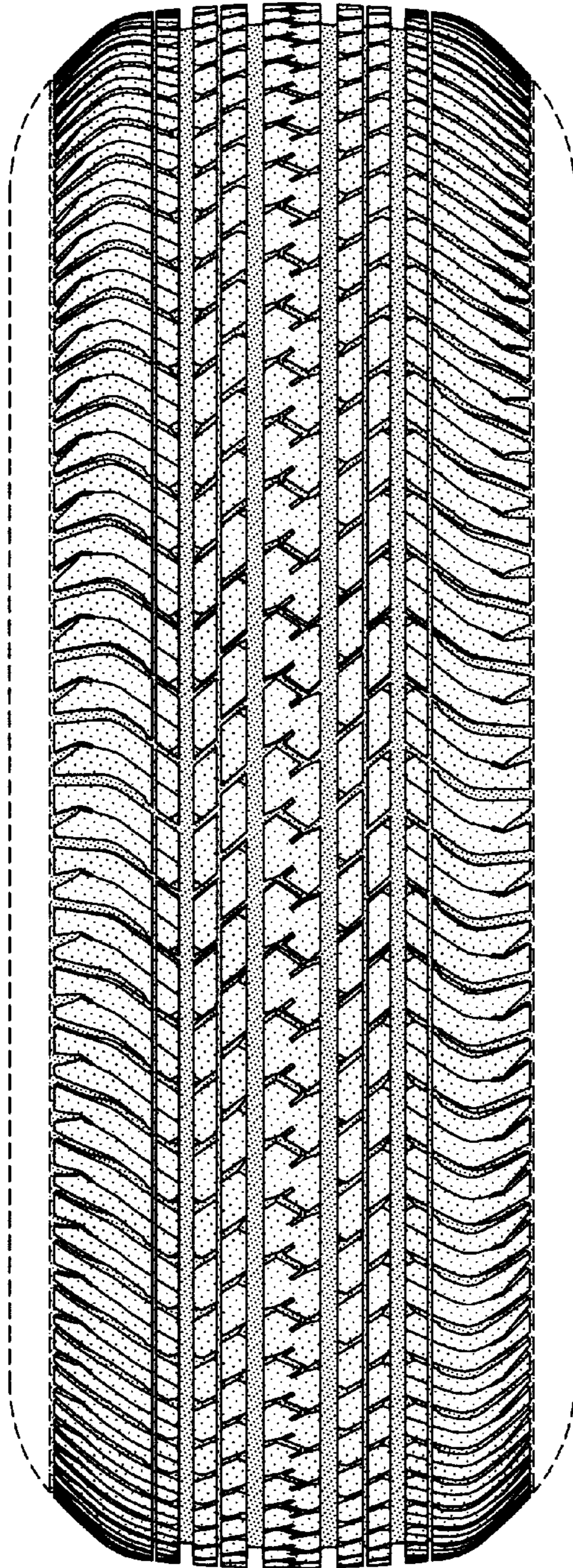


FIG-2

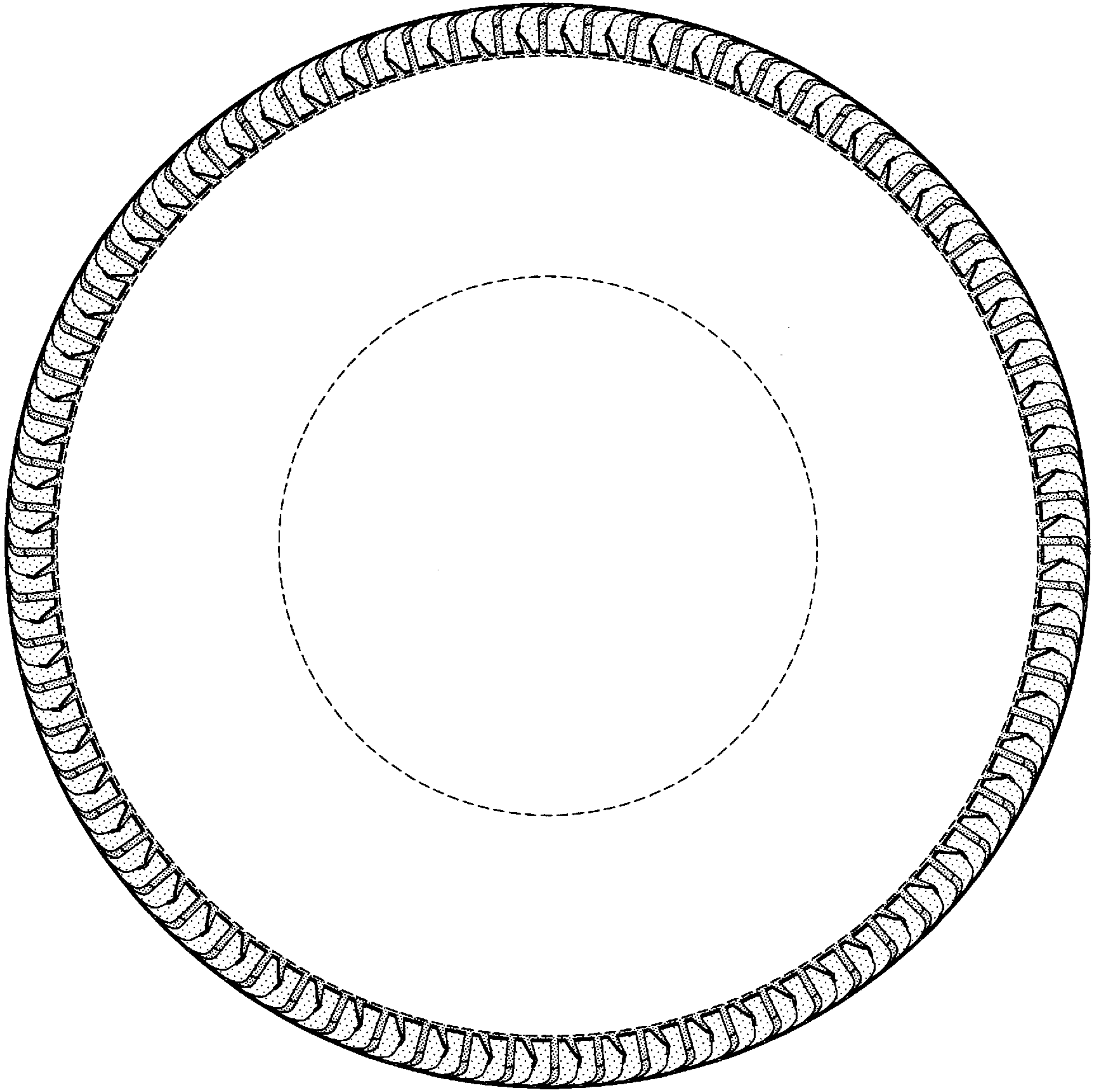


FIG-3

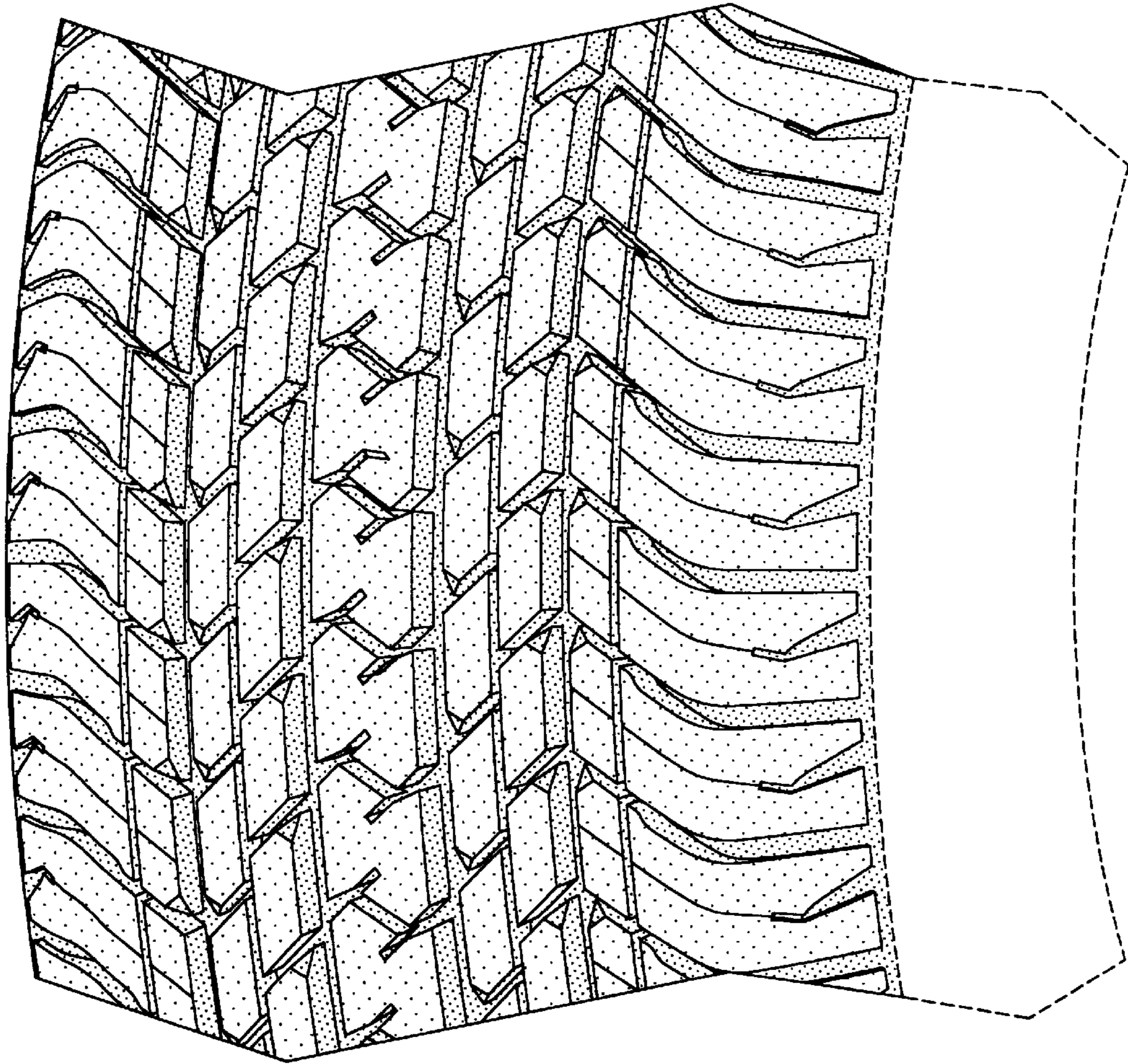


FIG-4