



US00D420945S

United States Patent [19]

[11] Patent Number: Des. 420,945

Dobersztyn et al.

[45] Date of Patent: ** Feb. 22, 2000

[54] **WALKER WHEEL**

[75] Inventors: **David M. Dobersztyn**, Stephens City, Va.; **Joel Wittkamp**, Raleigh, N.C.

[73] Assignee: **Rubbermaid Commercial Products LLC**, Winchester, Va.

[**] Term: **14 Years**

4,907,794 3/1990 Rose 272/70.3
 5,020,560 6/1991 Turbeville 135/67
 5,224,506 7/1993 Allen et al. 135/67
 5,224,717 7/1993 Lowen 280/1.05
 5,224,721 7/1993 Satmann 280/87.051
 5,568,671 10/1996 Harris et al. 16/18 R
 5,692,762 12/1997 Obitts 280/87.05
 5,816,593 10/1998 Che 280/87.041
 5,819,772 10/1998 Pi 135/66

[21] Appl. No.: **29/096,025**

[22] Filed: **Nov. 3, 1998**

[51] **LOC (7) Cl.** **12-12**

[52] **U.S. Cl.** **D12/133; D8/375**

[58] **Field of Search** **D12/128-133;**
 135/66, 67; 280/87.041, 87.05, 87.051;
 16/18 R, 45, 46, 18 CG, 20; D8/375

OTHER PUBLICATIONS

Pp. 3, 4 and 5, Walker wheels; Invacare Corporation, 899 Cleveland Street, Elyria, Ohio 44036-4028. Publication date Feb., 1996.

Pp. 3, 4, 5 and 6, Walker wheels; Tubular Fabricators Industry, Inc., 600 West Wythe Street, Petersburg, Virginia 23803. Published at least as early as Nov., 1997.

Pp. 1, 2, 3, 4, 5 and 6, Walker wheels; Guardian Products Inc., 4175 Guardian Street, Simi Valley, California 93063. Publication date 1996.

P. 27, Walker wheels; Rubbermaid Commercial Products Inc., 3124 Valley Avenue, Winchester, Virginia 22601. Publication date 1997.

[56] **References Cited**

U.S. PATENT DOCUMENTS

D. 295,155 4/1988 Erfurth D12/130
 D. 310,646 9/1990 Rose D12/130
 D. 312,061 11/1990 Smith D12/130
 D. 329,833 9/1992 Andersson et al. D12/130
 D. 344,917 3/1994 Kjell et al. D12/130
 D. 349,043 7/1994 Carlson et al. D8/375
 D. 356,762 3/1995 Silbersky D12/130
 D. 360,174 7/1995 Kjell et al. D12/130
 D. 361,050 8/1995 Macmillan D12/130
 D. 396,437 7/1998 Liljedahl D12/130
 1,448,783 3/1923 Blewitt et al. .
 1,917,440 7/1933 Finkbeiner et al. .
 3,625,237 12/1971 Wertz 135/45 A
 4,029,311 6/1977 Chanslor et al. 272/70.3
 4,094,330 6/1978 Jong 135/67
 4,251,105 2/1981 Barker 297/6
 4,700,730 10/1987 Samuelson et al. 135/67
 4,747,180 5/1988 Screen 16/35 R
 4,748,994 6/1988 Schultz et al. 135/67
 4,765,355 8/1988 Kent 135/67
 4,800,910 1/1989 Gamma 135/67

Primary Examiner—Kay H. Chin
Attorney, Agent, or Firm—Richard B. O’Planick

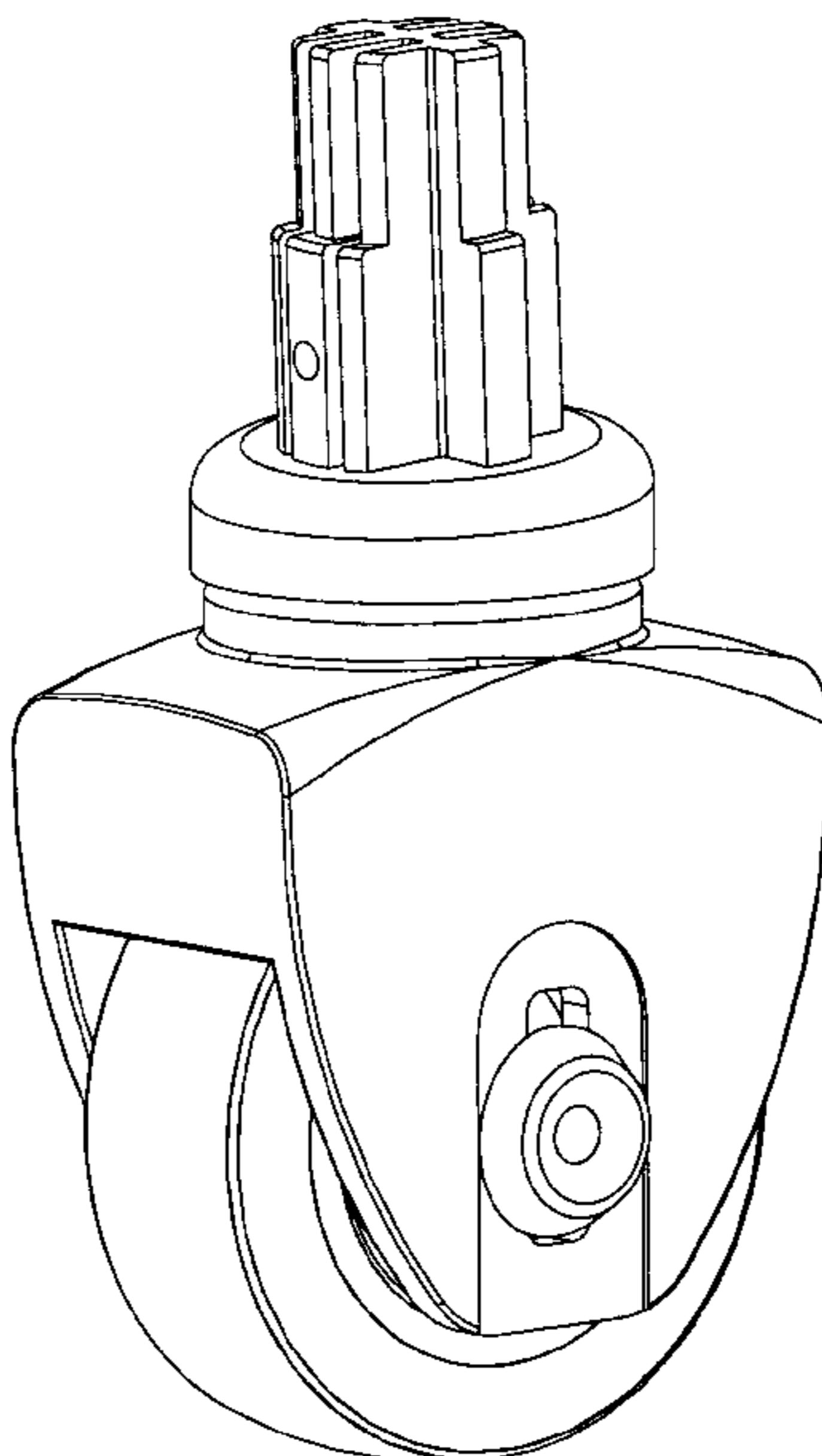
[57] CLAIM

The ornamental design for a walker wheel, as shown and described.

DESCRIPTION

FIG. 1 is a top right front perspective view of a walker wheel showing our new design;
 FIG. 2 is a front elevational view thereof;
 FIG. 3 is a left side elevational view thereof;
 FIG. 4 is a rear elevational view thereof;
 FIG. 5 is a right side elevational view thereof;
 FIG. 6 is a bottom plan view thereof; and,
 FIG. 7 is a top plan view thereof.

1 Claim, 3 Drawing Sheets



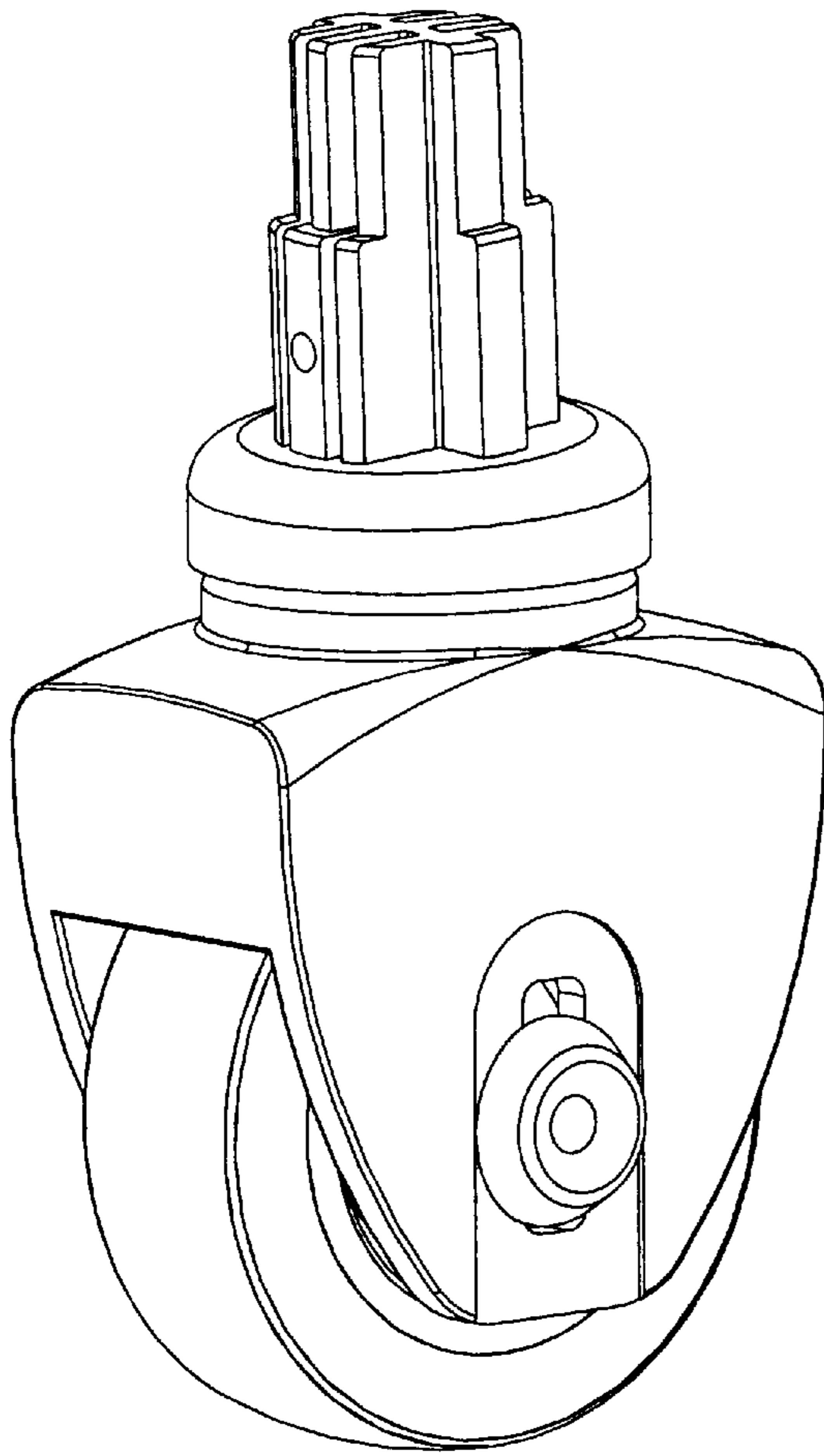


FIG. 1

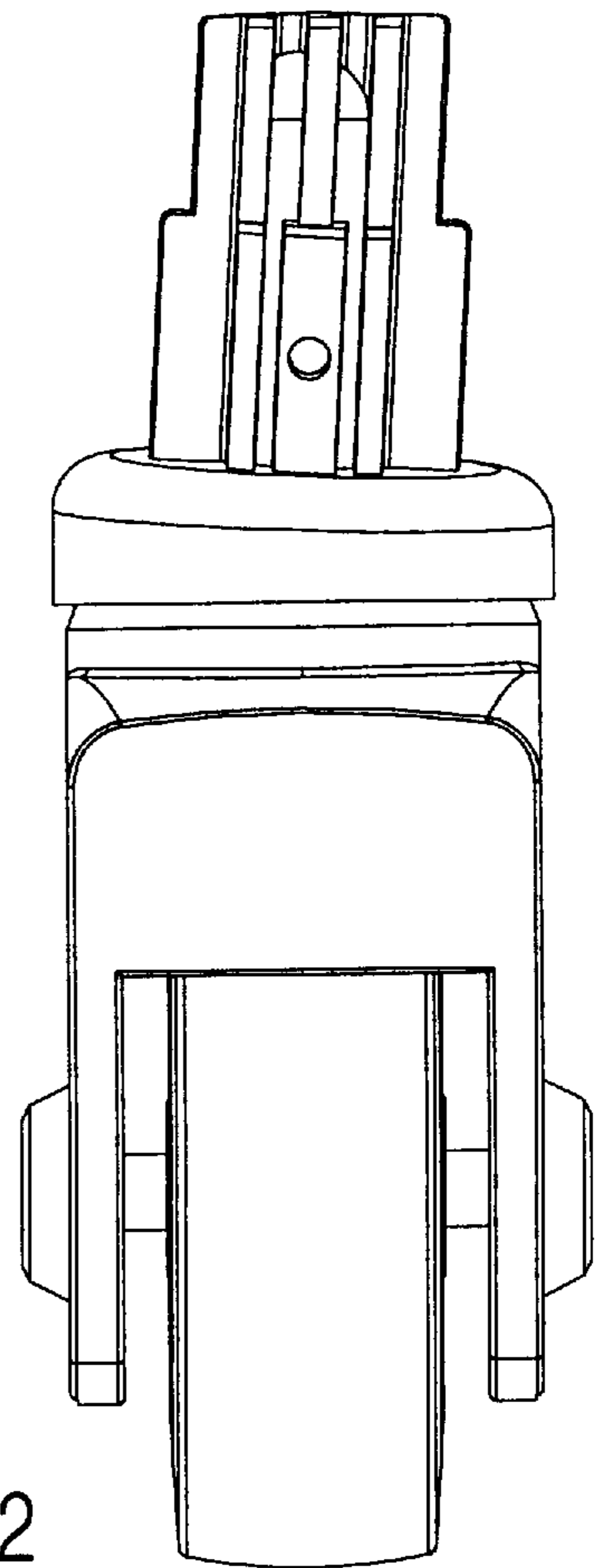


FIG. 2

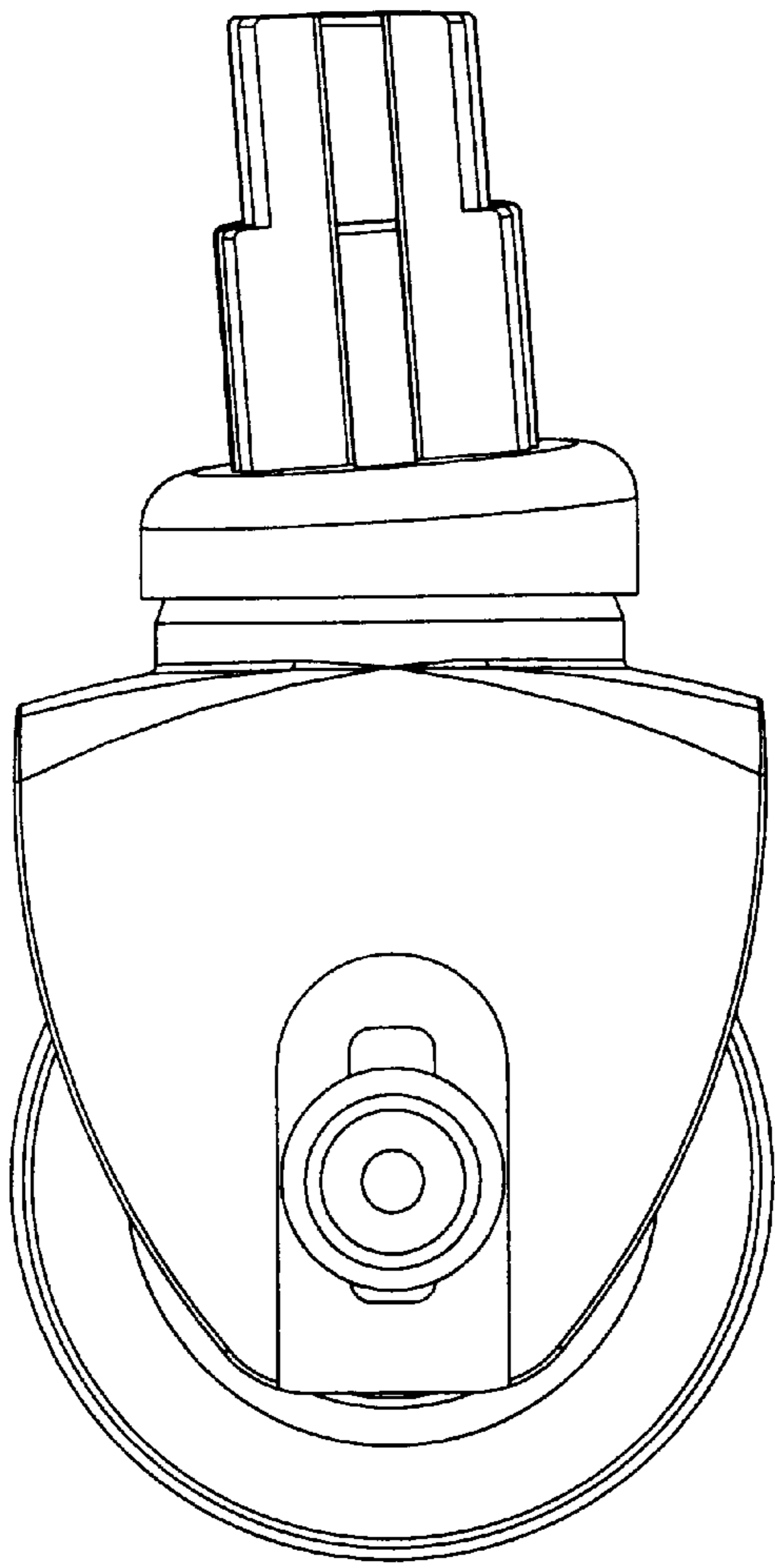


FIG. 3

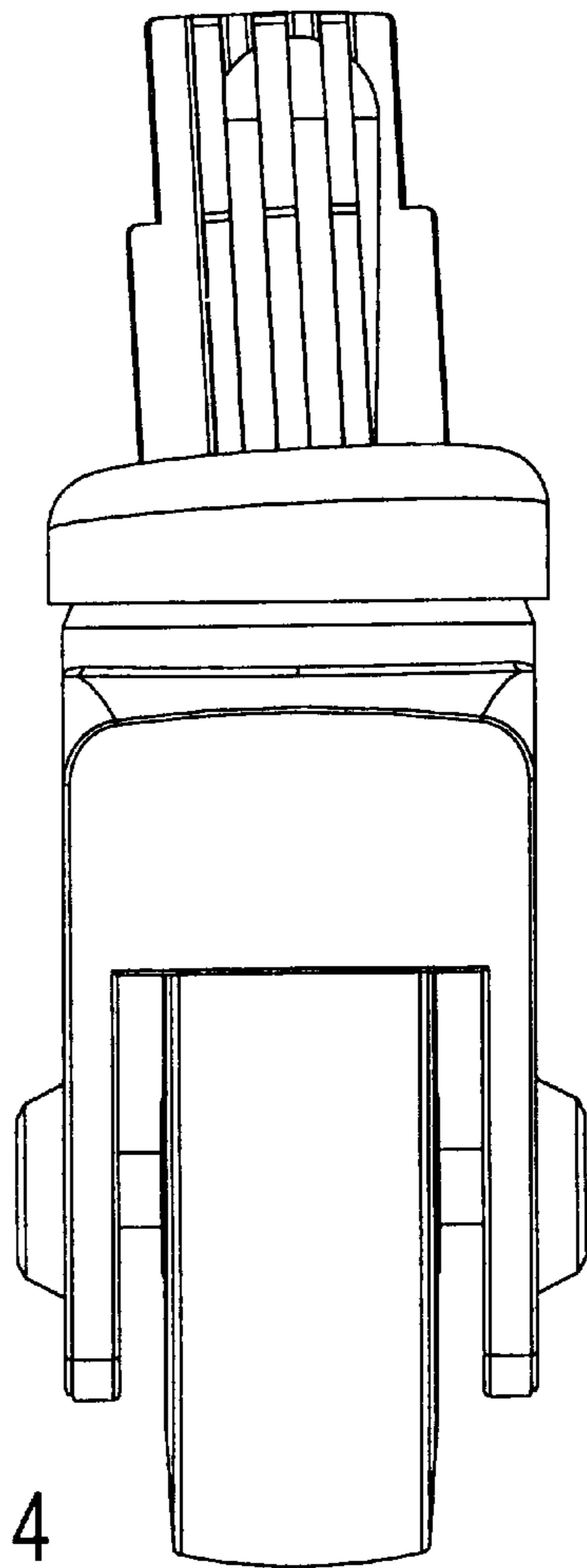


FIG. 4

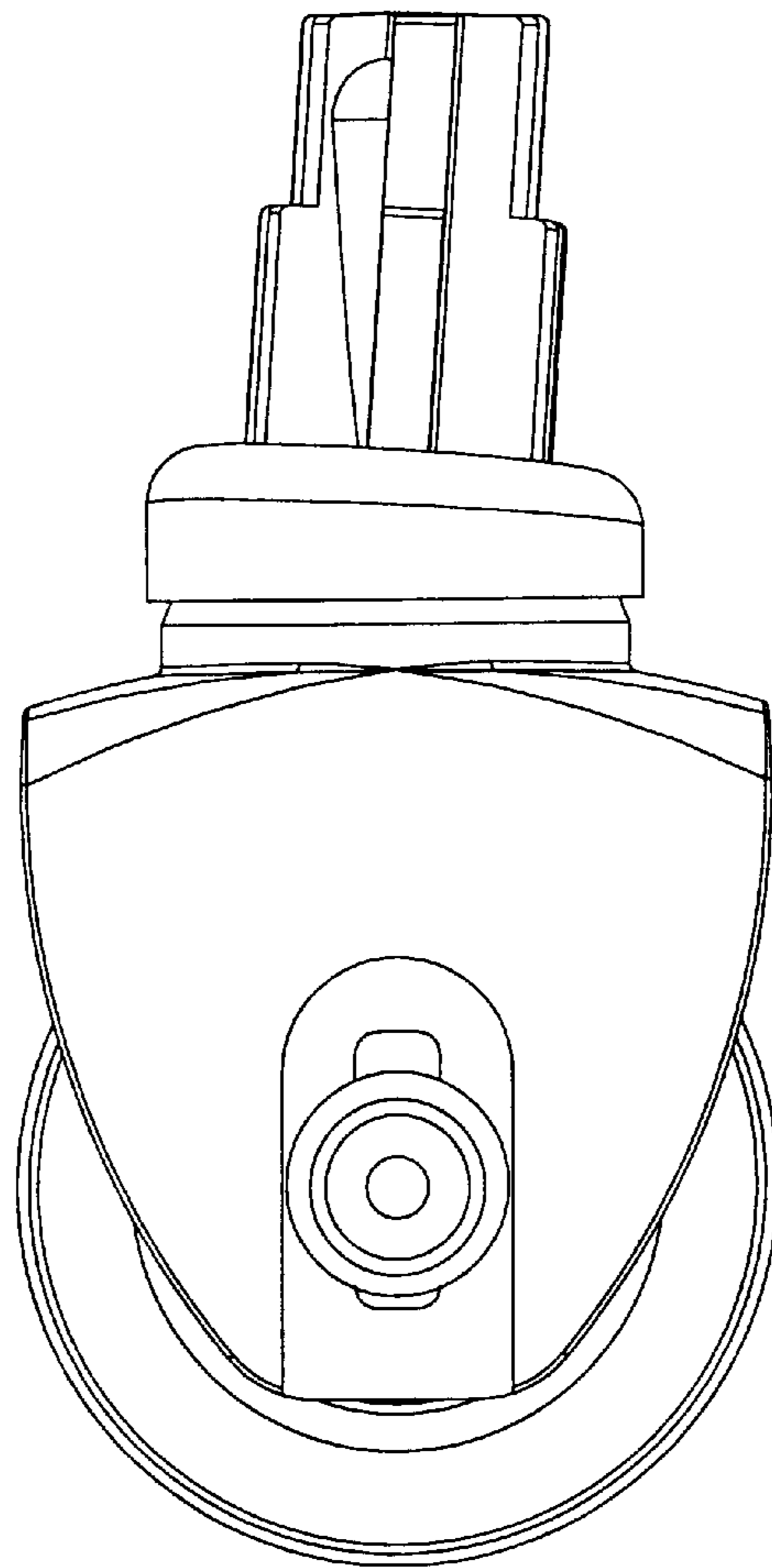


FIG. 5

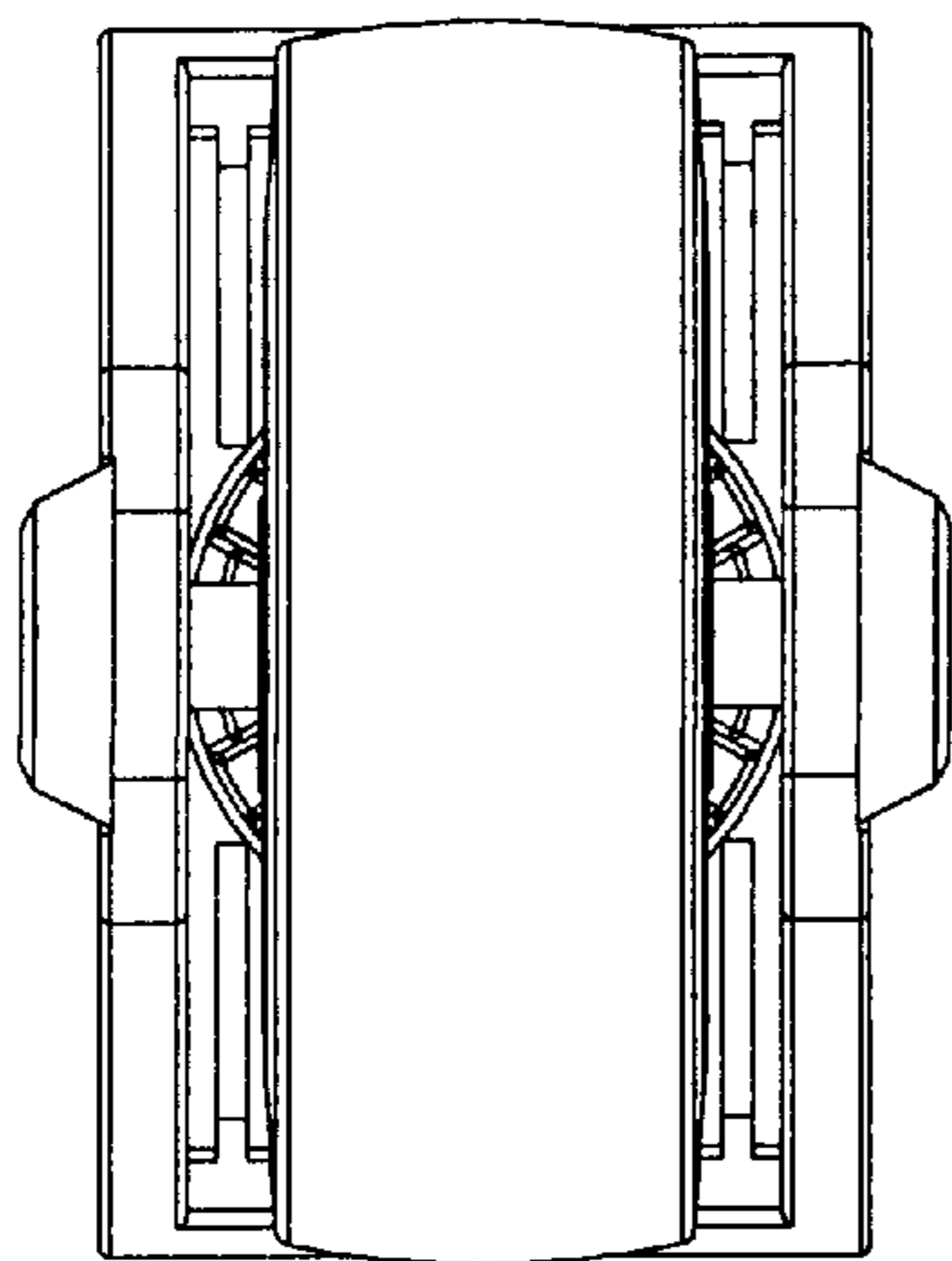


FIG. 6

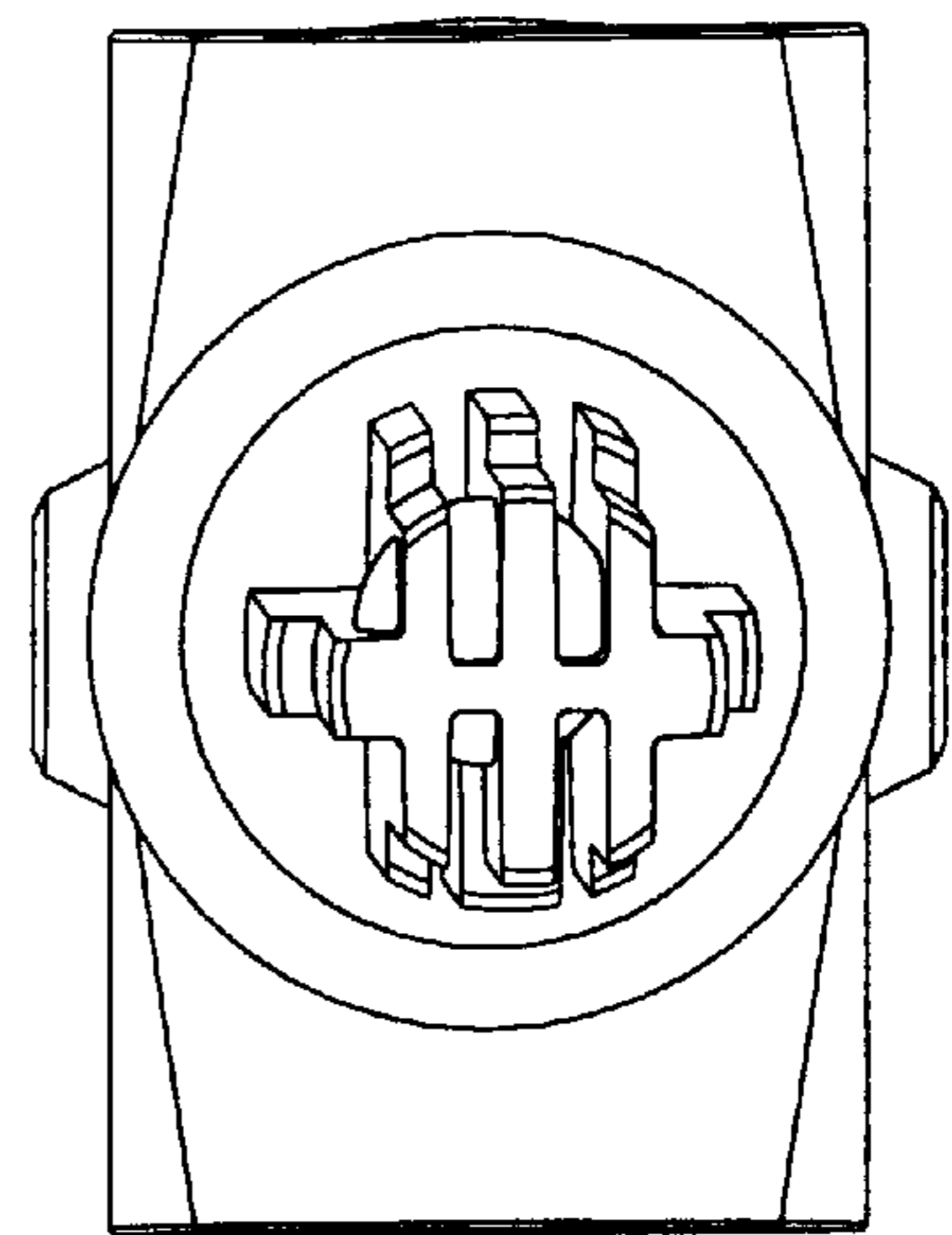


FIG. 7