



US00D420942S

United States Patent [19] Chen

[11] **Patent Number: Des. 420,942**

[45] **Date of Patent: ** Feb. 22, 2000**

[54] **FRAME OF A SKATING BOARD BIKE**

D. 392,001 3/1998 Chen D21/423

[75] Inventor: **Ting-Hsing Chen**, Tainan Hsien, Taiwan

Primary Examiner—Melody N. Brown
Attorney, Agent, or Firm—Rosenberg, Klein & Lee

[73] Assignee: **Far Great Plastics Industrial Co., Ltd.**, Tainan Hsien, Taiwan

[57] **CLAIM**

[**] Term: **14 Years**

The ornamental design for a frame of a skating board bike, as shown and described.

[21] Appl. No.: **29/096,425**

DESCRIPTION

[22] Filed: **Nov. 12, 1998**

FIG. 1 is a perspective view of a frame of a skating board bike showing my present design;
FIG. 2 is a front view thereof;
FIG. 3 is a rear view thereof;
FIG. 4 is a left view thereof;
FIG. 5 is a right view thereof;
FIG. 6 is a top plan view thereof;
FIG. 7 is a bottom plan view, and,
FIG. 8 is a perspective view thereof, the board shown in broken lines are for illustrative purposes only and form no part of the claimed design.

[51] **LOC (7) Cl.** **12-11**

[52] **U.S. Cl.** **D12/111**

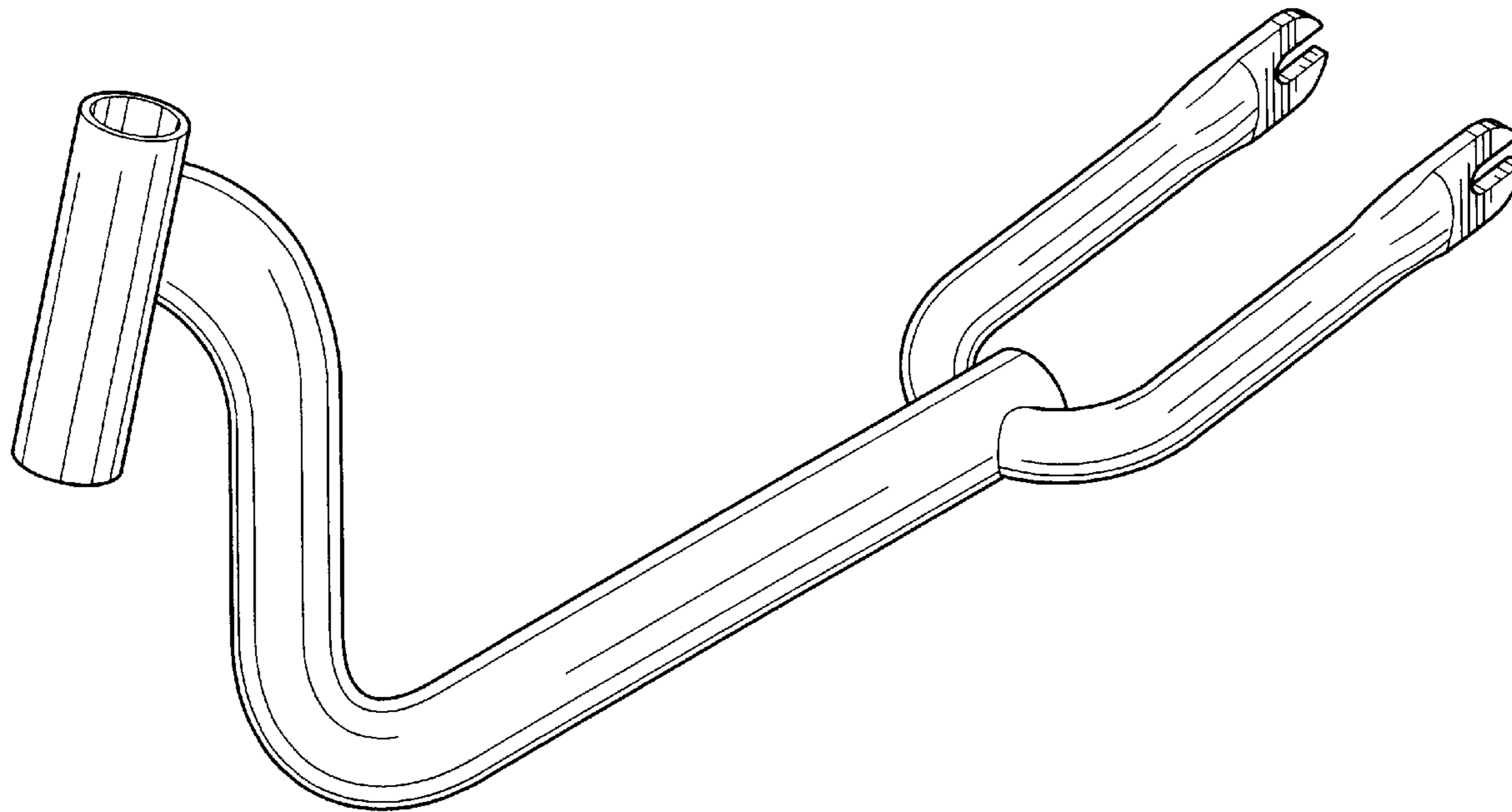
[58] **Field of Search** D12/111, 117;
D21/423; 280/87.021, 87.041, 87.042, 87.043

[56] **References Cited**

U.S. PATENT DOCUMENTS

- D. 244,479 5/1977 Pasin D21/423
- D. 312,485 11/1990 Turner D21/423

1 Claim, 6 Drawing Sheets



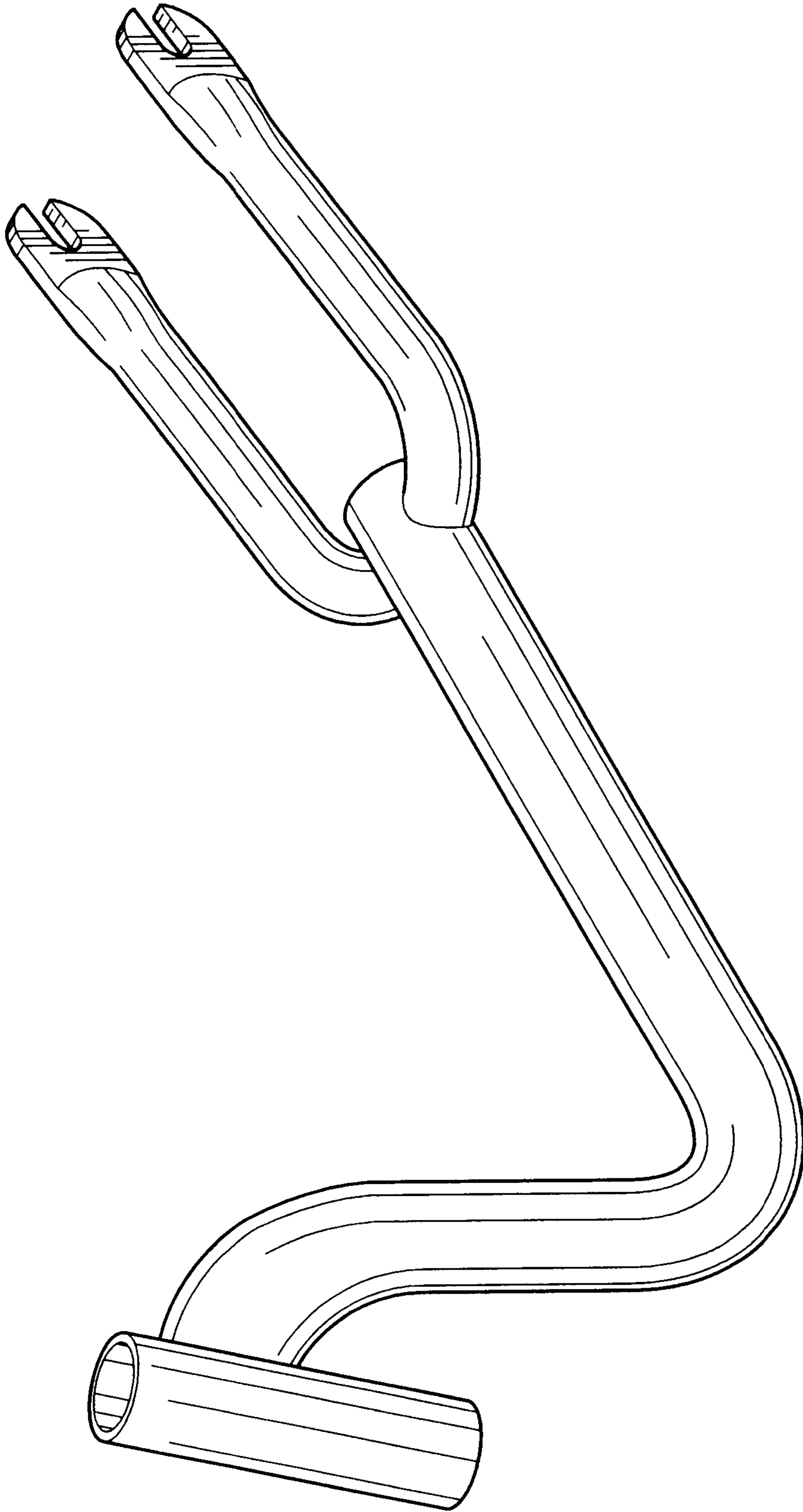


FIG. 1

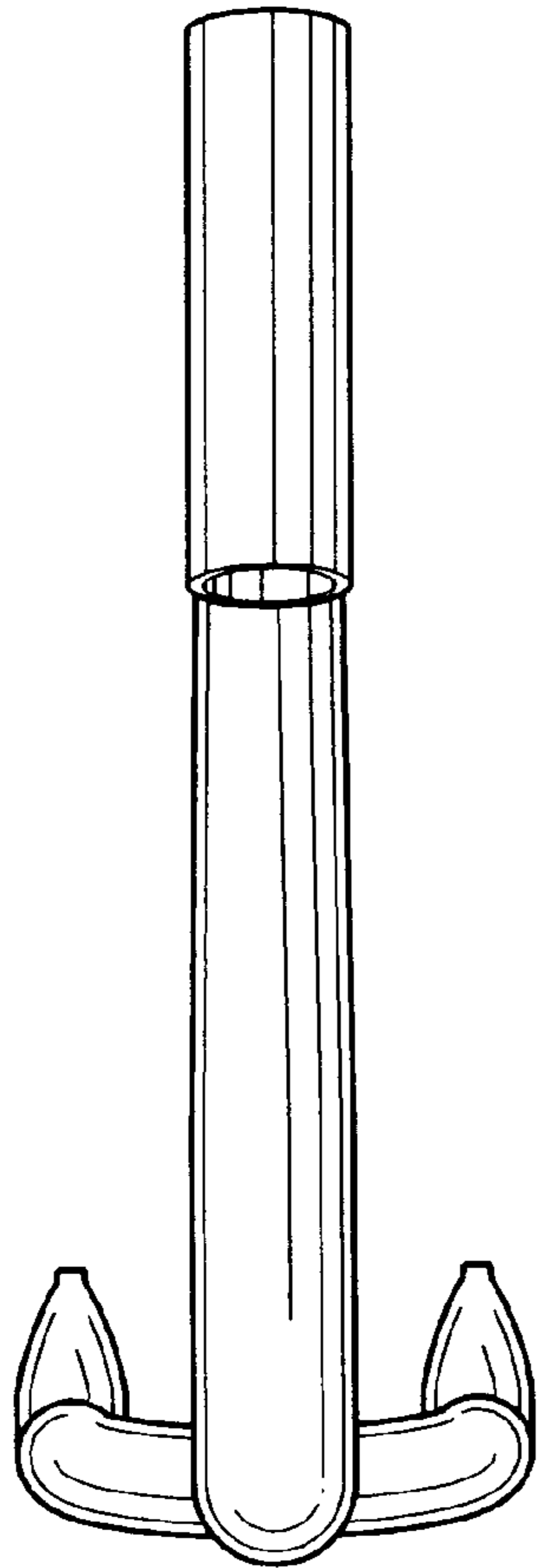


FIG. 2

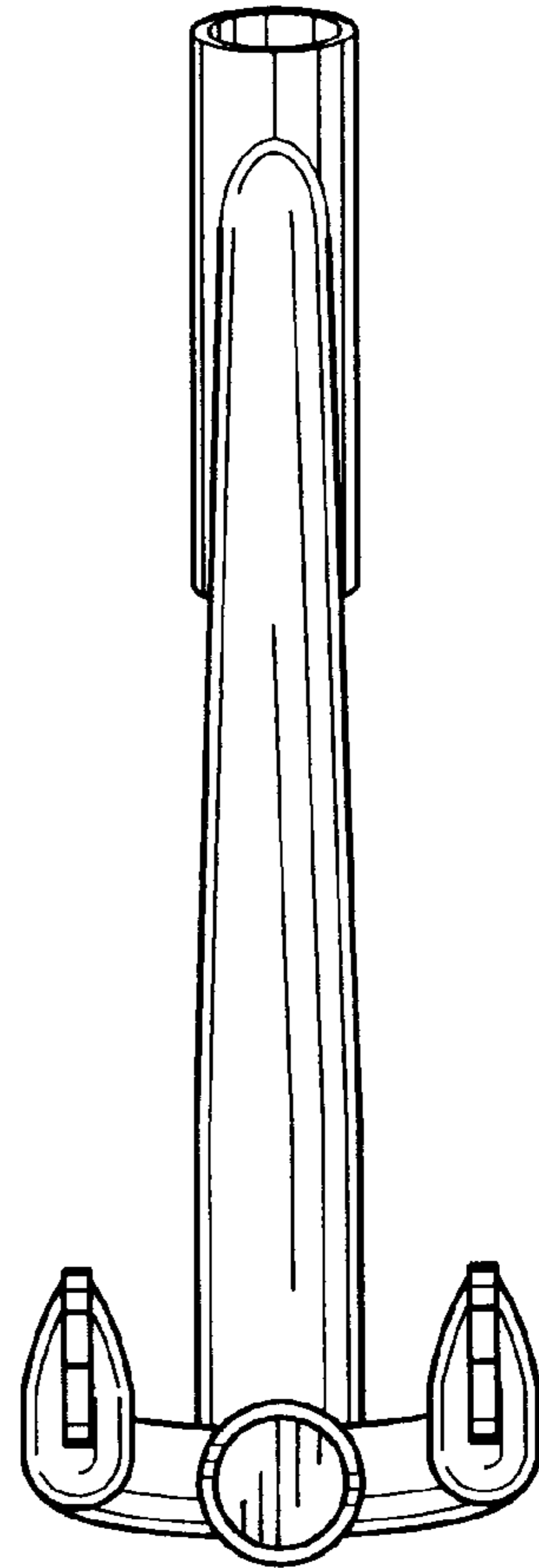


FIG. 3

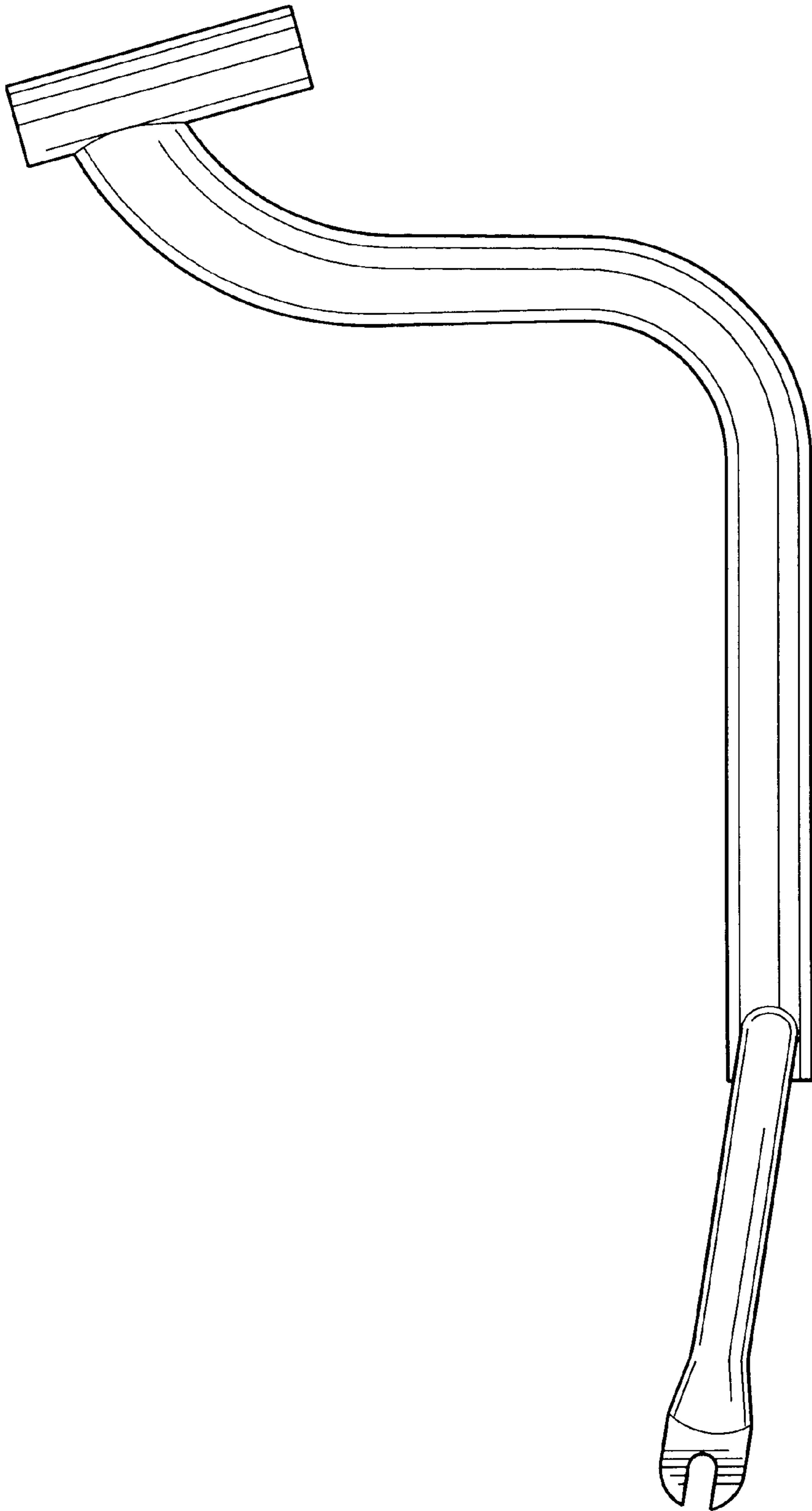


FIG. 4

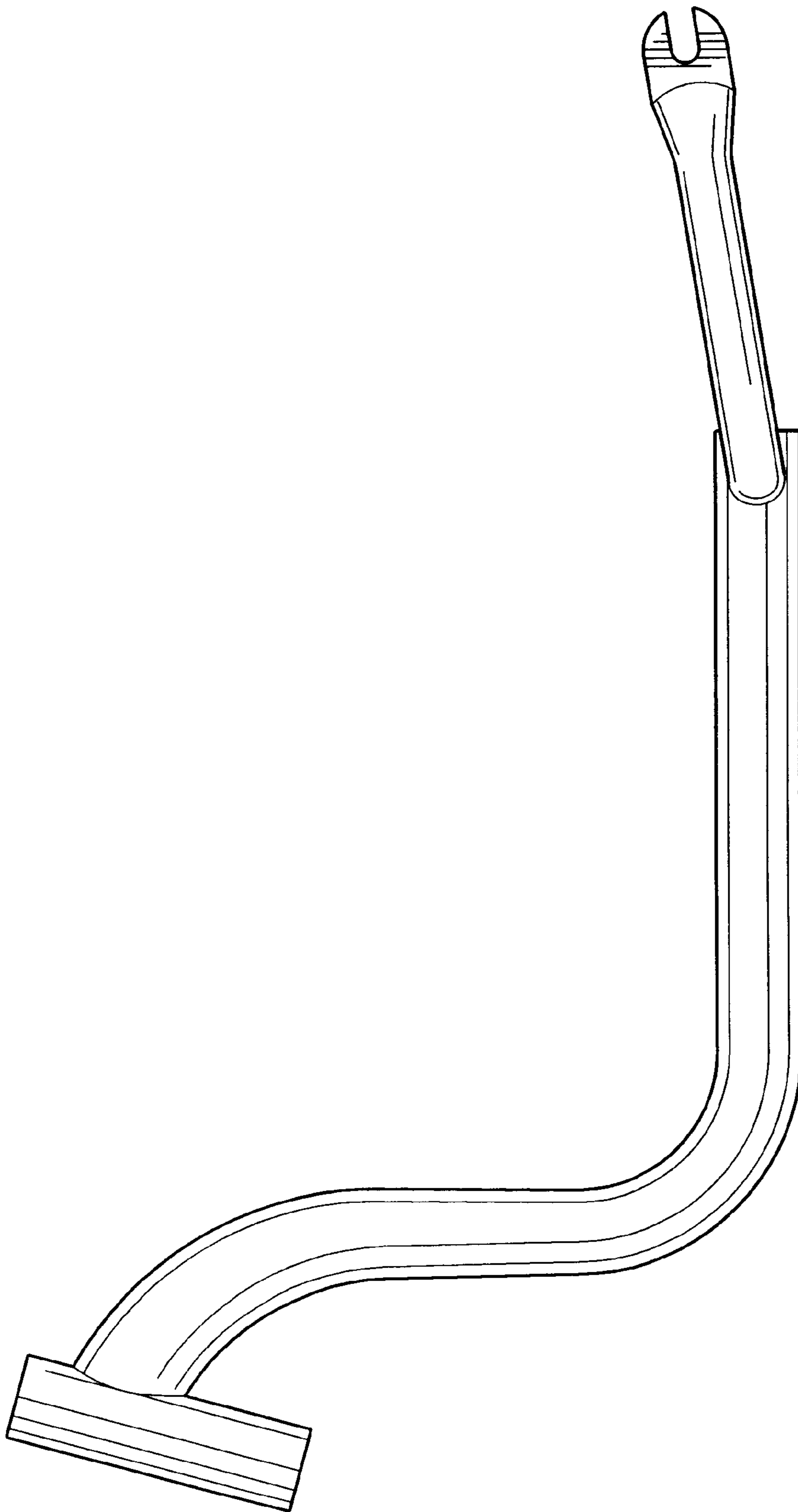


FIG. 5

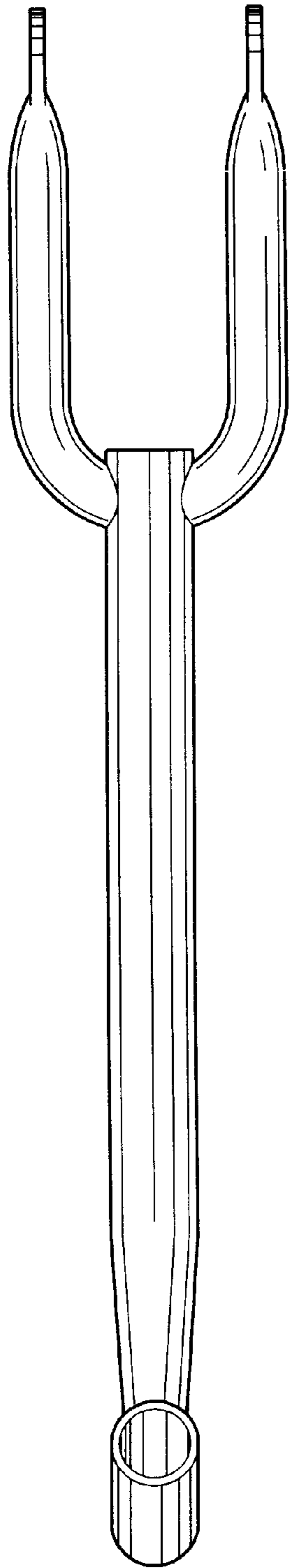


FIG. 6

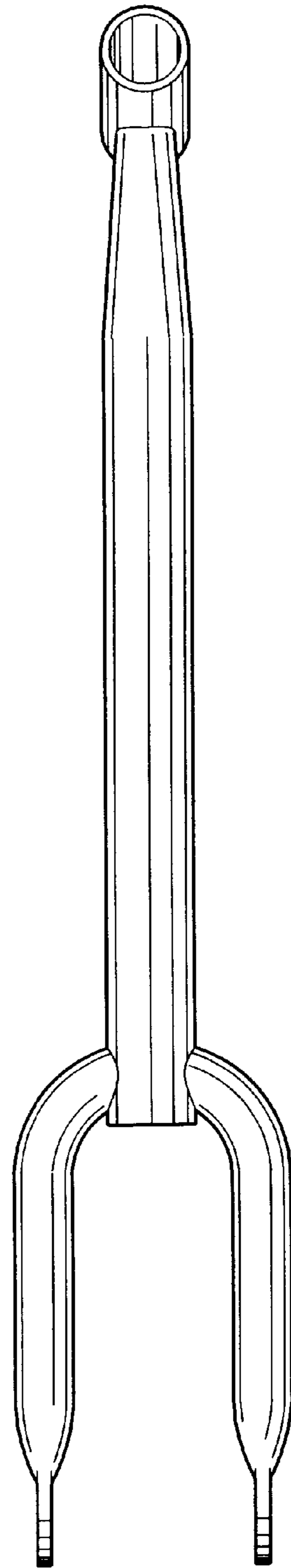


FIG. 7

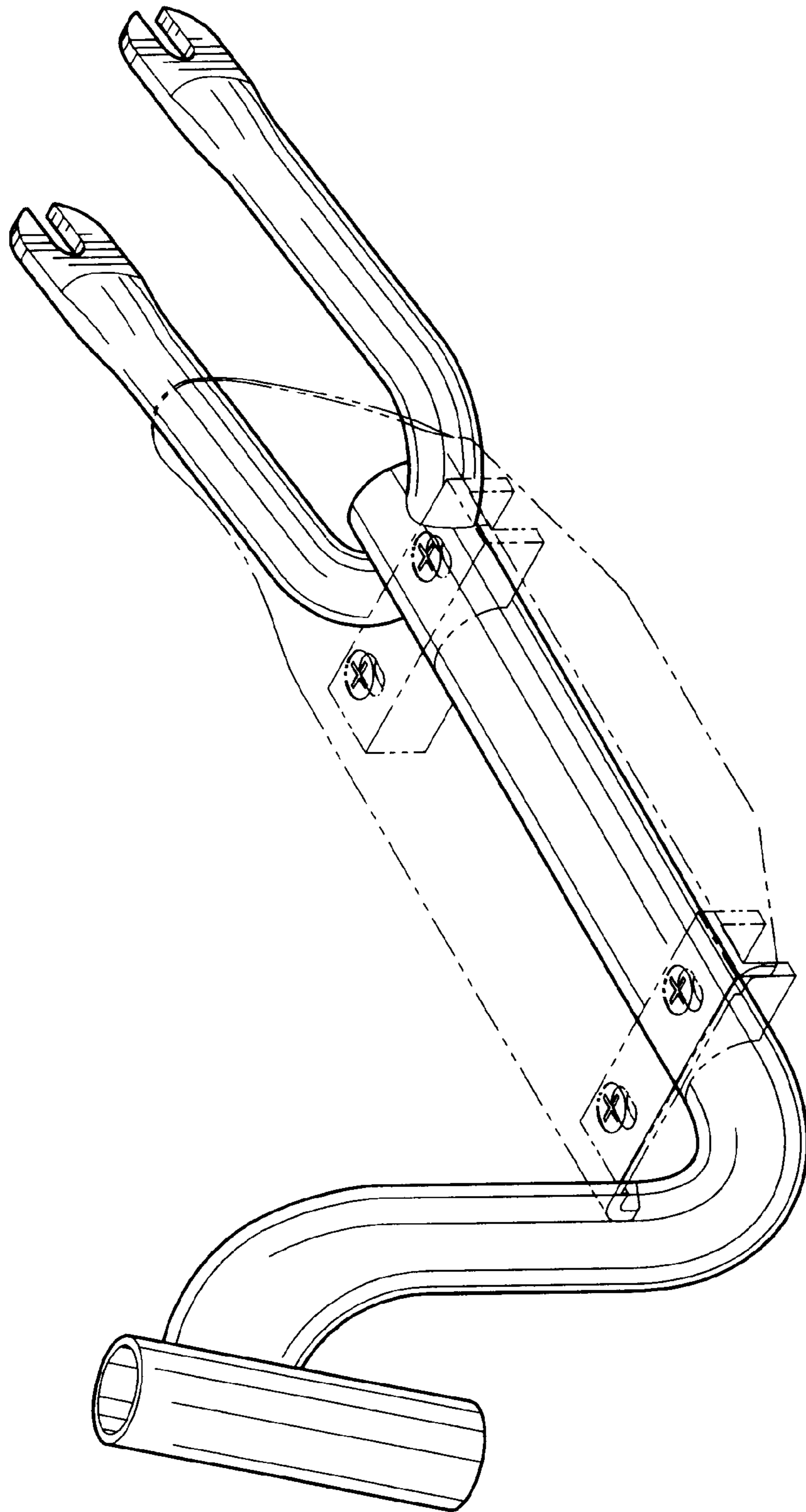


FIG. 8