



US00D420939S

# United States Patent [19]

Faurote et al.

[11] Patent Number: **Des. 420,939**

[45] Date of Patent: **\*\* Feb. 22, 2000**

[54] **VEHICLE BODY**

[75] Inventors: **Brandon L. Faurote**, Rochester Hills;  
**Glenn W. Abbott**, West Bloomfield;  
**John P. Sgalia**, Farmington Hills, all of Mich.

[73] Assignee: **Chrysler Corporation**, Auburn Hills, Mich.

[\*\*] Term: **14 Years**

[21] Appl. No.: **29/101,222**

[22] Filed: **Feb. 11, 1999**

### Related U.S. Application Data

[63] Continuation of application No. 29/084,652, Mar. 6, 1998, abandoned.

[51] **LOC (7) Cl.** ..... **12-08**

[52] **U.S. Cl.** ..... **D12/91**

[58] **Field of Search** ..... D12/90-92; 296/185

### References Cited

#### U.S. PATENT DOCUMENTS

D. 336,266 6/1993 Hunter ..... D12/98

D. 350,504	9/1994	Nixon .....	D12/91
D. 352,485	11/1994	Creed et al. ....	D12/98
D. 357,213	4/1995	Hunter et al. ....	D12/98
D. 365,783	1/1996	Starr et al. ....	D12/91
D. 373,979	9/1996	Starr et al. ....	D12/98
D. 396,828	8/1998	Baccus et al. ....	D12/91
D. 411,815	7/1999	Yamamoto et al. ....	D12/91

*Primary Examiner*—Melody N. Brown  
*Attorney, Agent, or Firm*—Mark Calcaterra

### [57] CLAIM

The ornamental design for a vehicle body, as shown and described.

### DESCRIPTION

FIG. 1 is a front perspective view of a vehicle body constructed in accordance with the teachings of the present invention.

FIG. 2 is a rear perspective view thereof.

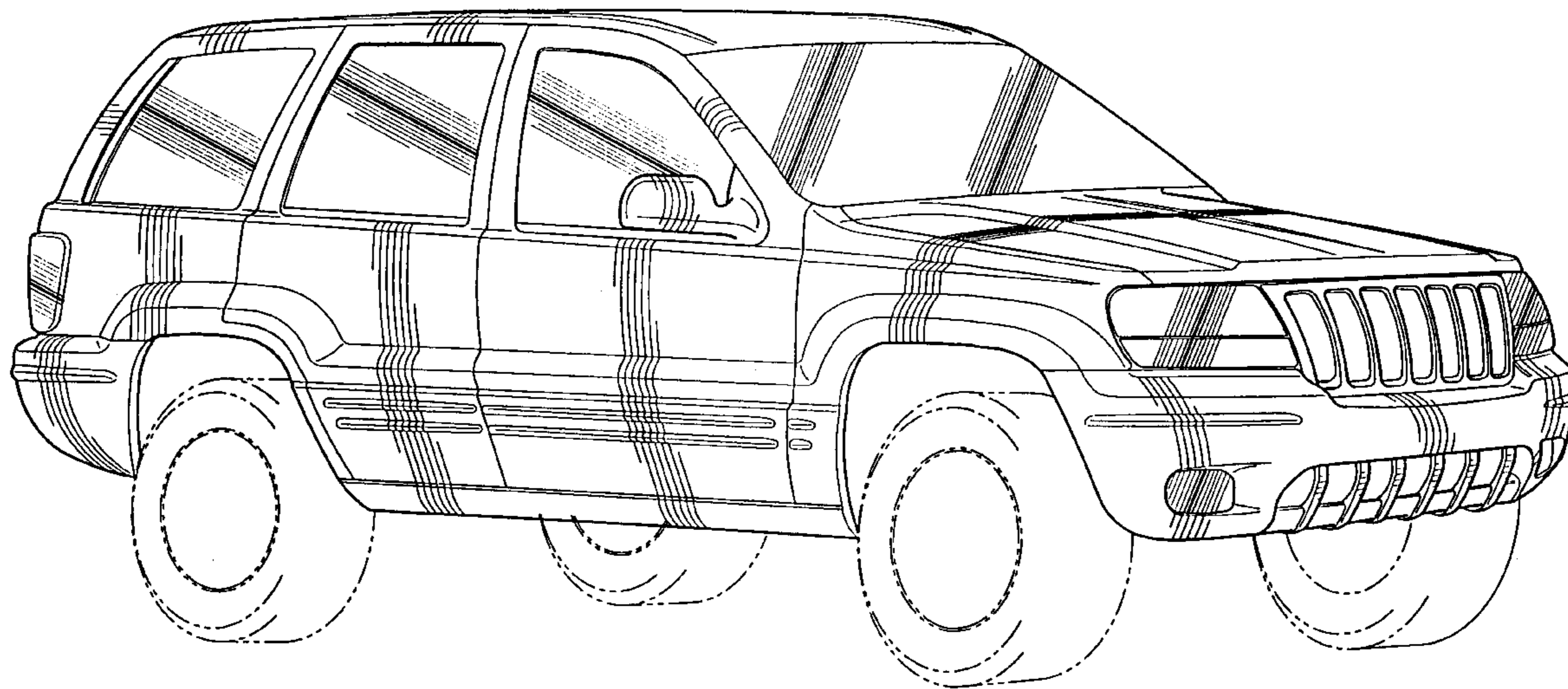
FIG. 3 is a left view thereof, the right side being a substantial mirror image.

FIG. 4 is a front view thereof; and,

FIG. 5 is a rear view thereof.

The broken line portions of the vehicle are for illustrative purposes only and form no part of the claim.

**1 Claim, 4 Drawing Sheets**



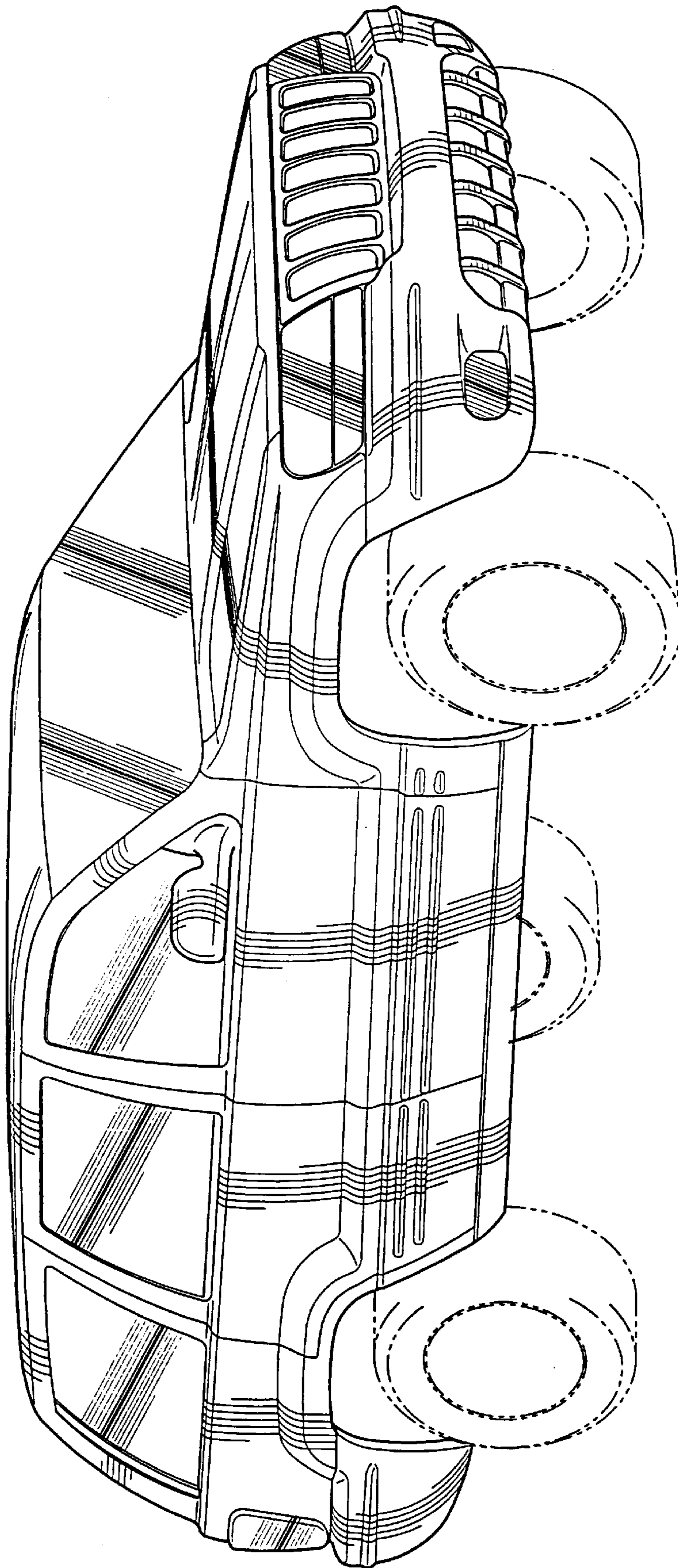
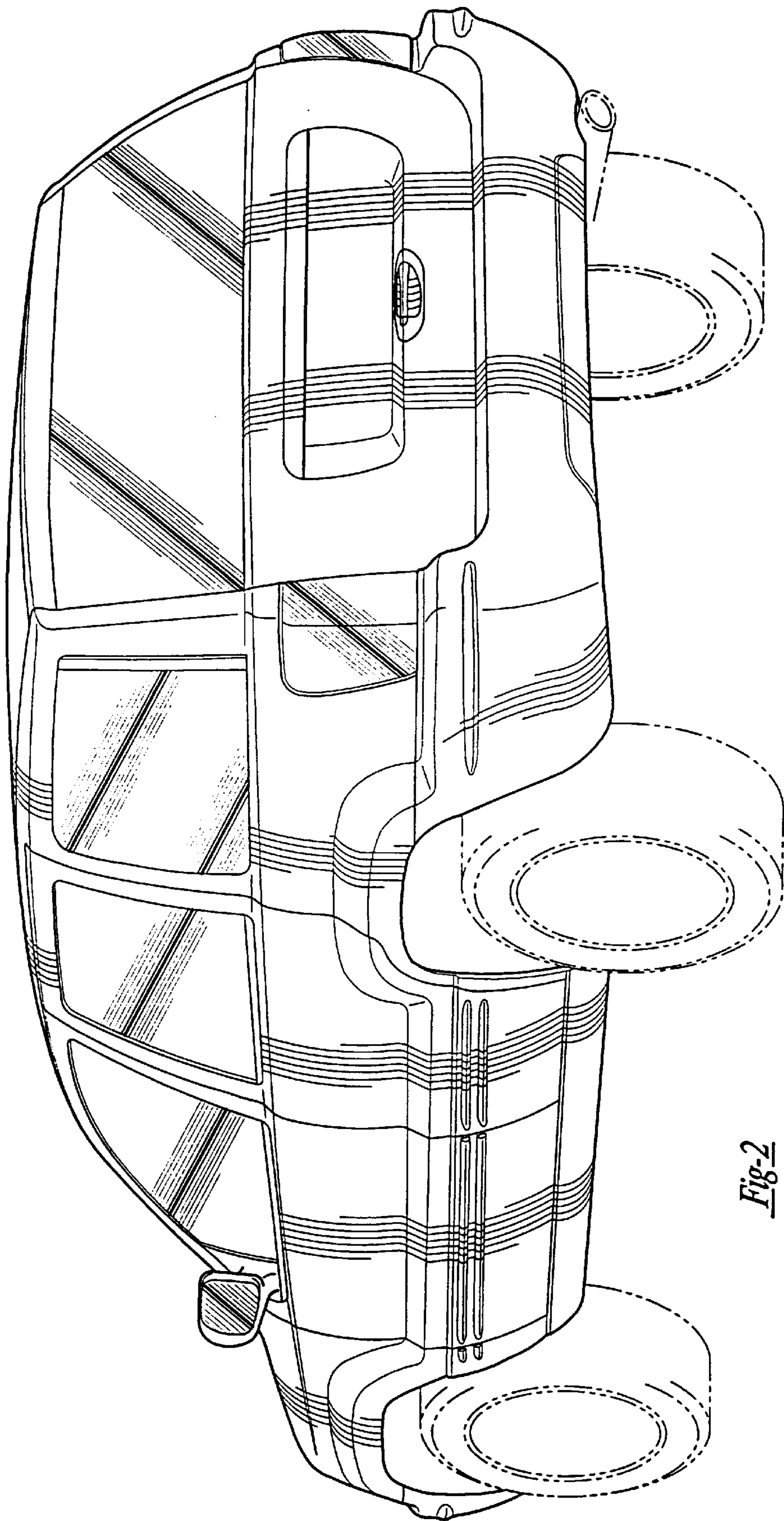


Fig-1



*Fig-2*

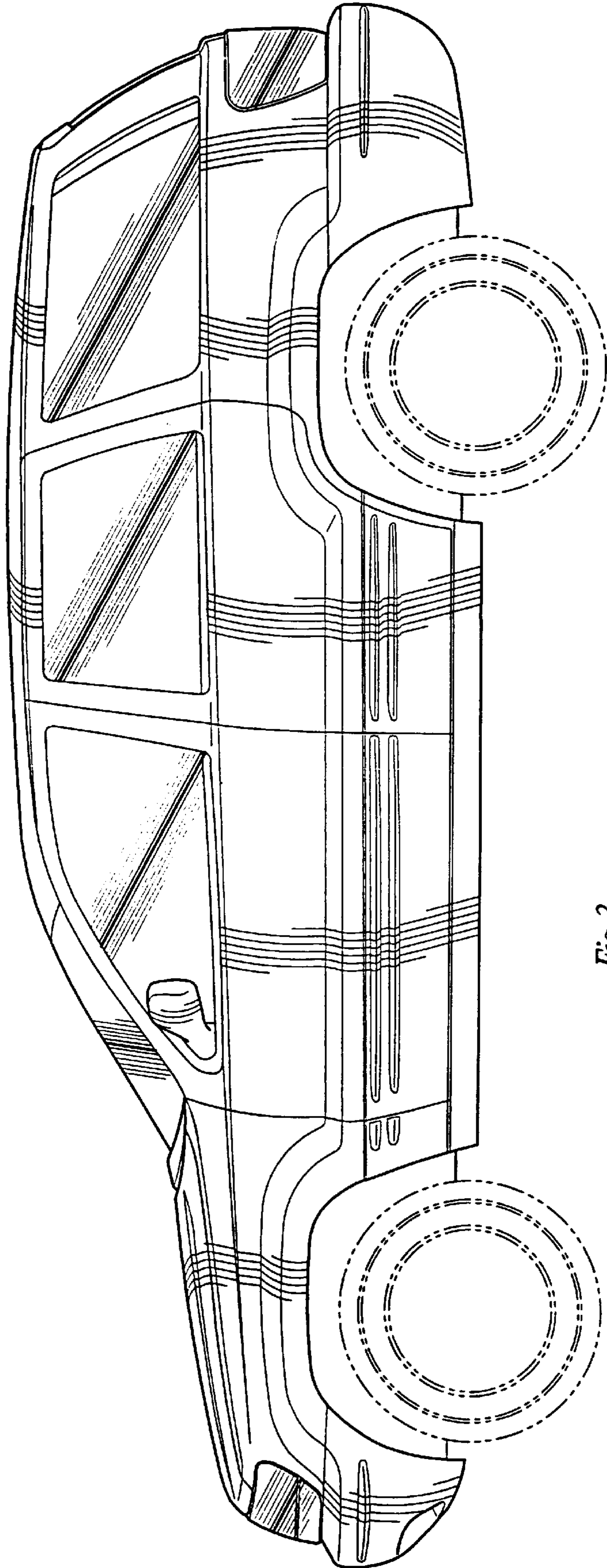


Fig-3

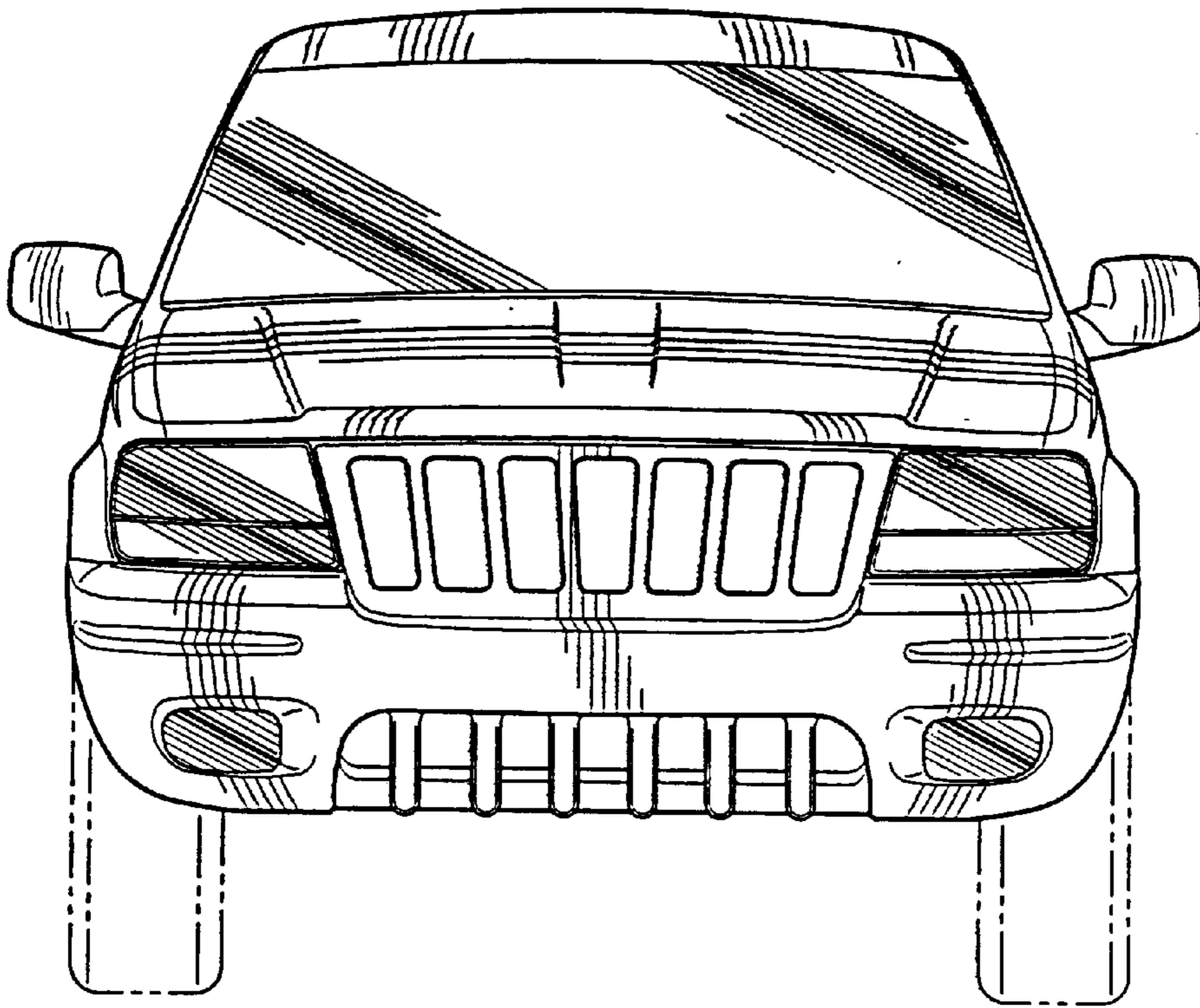


Fig-4

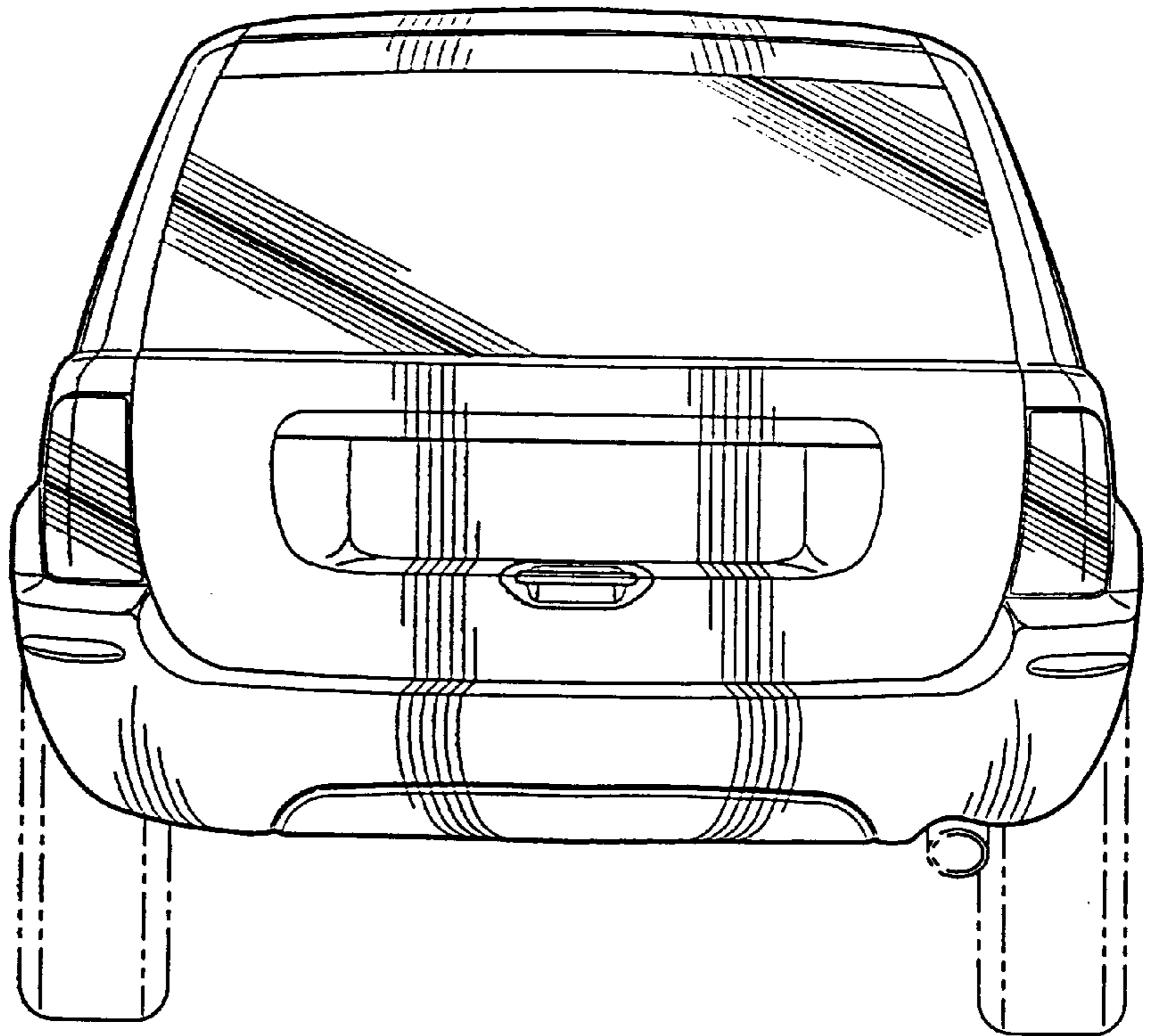


Fig-5