



US00D420938S

United States Patent [19]
Colicher

[11] **Patent Number: Des. 420,938**

[45] **Date of Patent: ** Feb. 22, 2000**

[54] **ZIPPER PULLER**

[76] Inventor: **Alice Talamantez Colicher**, 8335 C
Willow Bend Dr., Beaumont, Tex.
77707

[**] Term: **14 Years**

[21] Appl. No.: **29/091,134**

[22] Filed: **Jul. 23, 1998**

[51] **LOC (7) Cl.** **02-07**

[52] **U.S. Cl.** **D11/221**

[58] **Field of Search** D11/200, 201,
D11/221; 294/3.6; 24/3.13; D3/206, 207;
70/459; D2/643

[56] **References Cited**

U.S. PATENT DOCUMENTS

D. 348,187	6/1994	Higgins	D2/643
D. 362,830	10/1995	Maggard	D11/221
D. 376,904	12/1996	Di Rocco	D3/208
1,552,156	9/1925	Heller	24/3.13
2,248,338	7/1941	Castleman	24/3.6
2,888,728	6/1959	Lebermann	294/3.6

3,126,729	3/1964	Leopoldi	70/459
3,409,322	11/1968	Albanese et al.	294/3.6
3,589,155	6/1971	Kamp	D3/207
3,599,274	8/1971	Donovan	294/3.6

Primary Examiner—Ralf Seifert

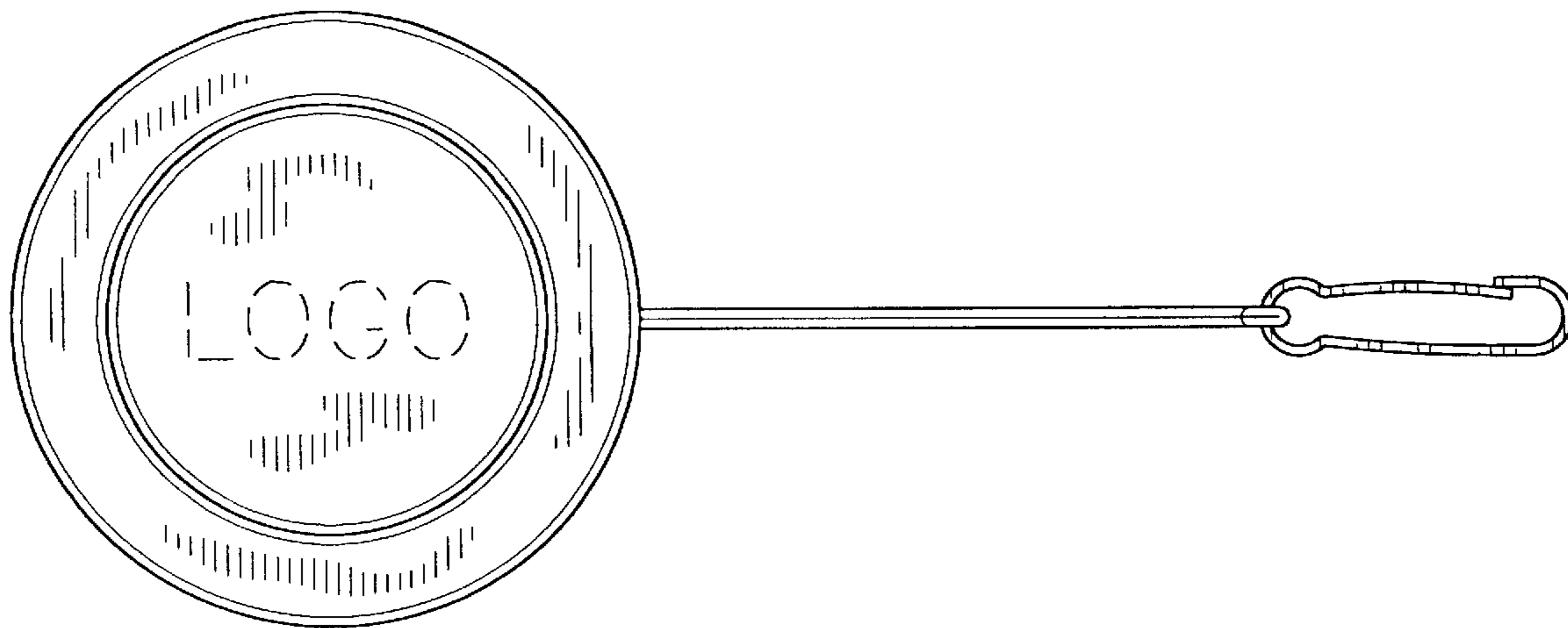
[57] **CLAIM**

The ornamental design for a zipper puller, as shown.

DESCRIPTION

FIG. 1 is a front elevational view of the zipper puller of the present invention;
FIG. 2 is a back elevational view of the zipper puller of FIG. 1;
FIG. 3 is a left side elevational view of the zipper puller of FIG. 1;
FIG. 4 is a right side elevational view of the zipper puller of FIG. 1;
FIG. 5 is a top plan view of the zipper puller of FIG. 1; and, FIG. 6 is a bottom plan view of the zipper puller of FIG. 1. The broken line showing of indicia, in FIG. 1, is for illustrative purposes only and forms no part of the claimed design.

1 Claim, 3 Drawing Sheets



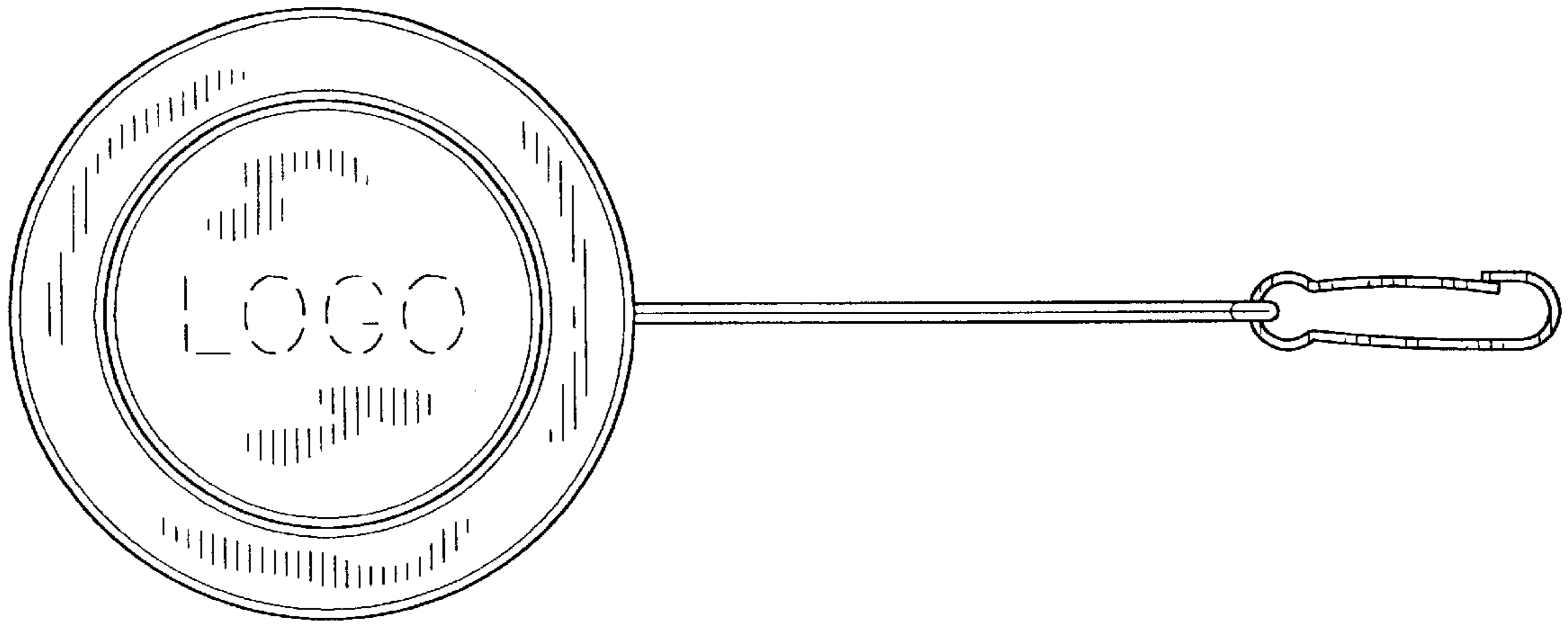


Fig. 1

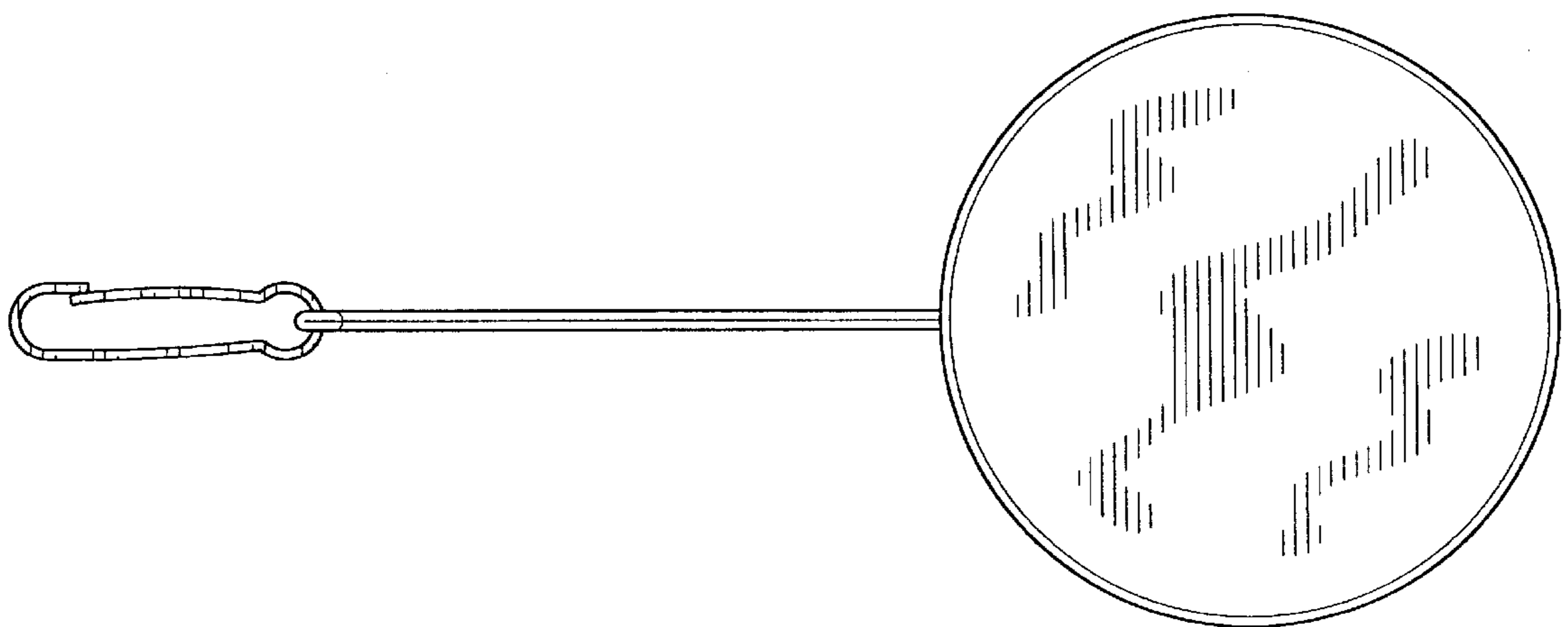


Fig. 2

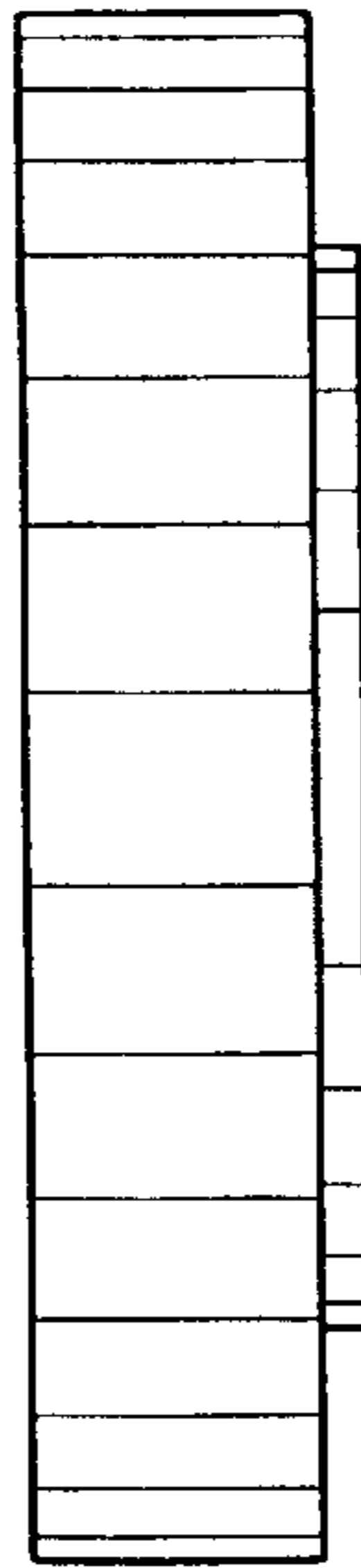


Fig. 3

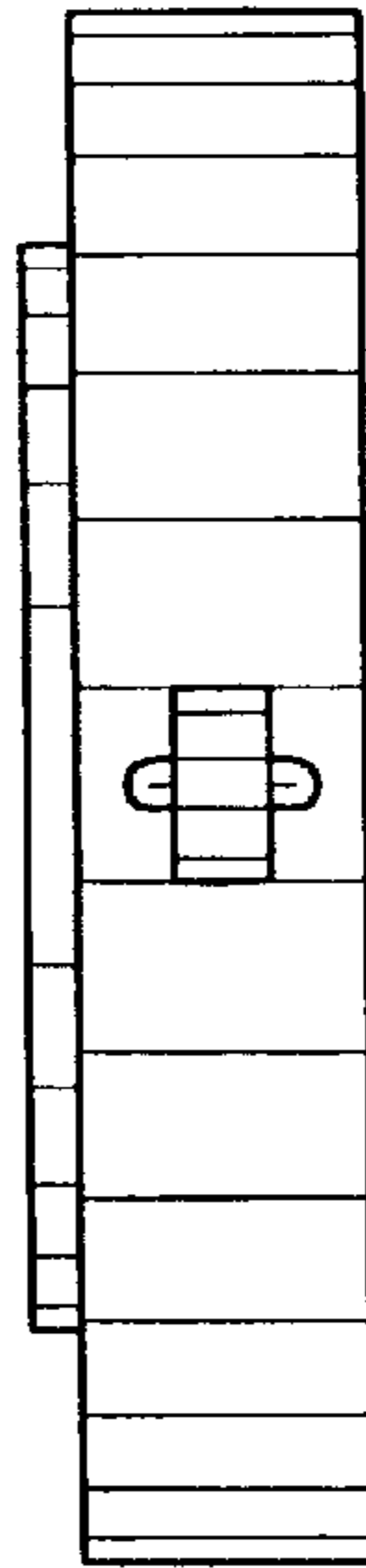


Fig. 4

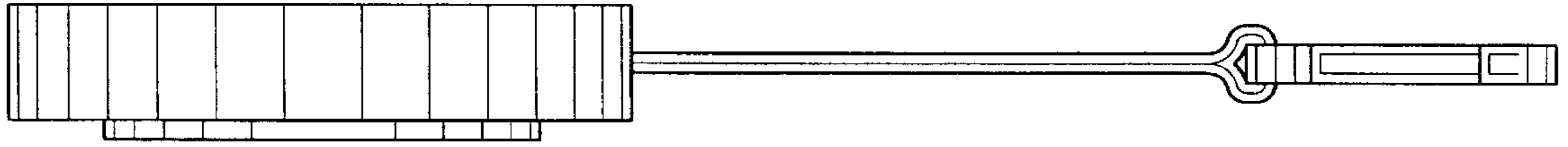


Fig. 5

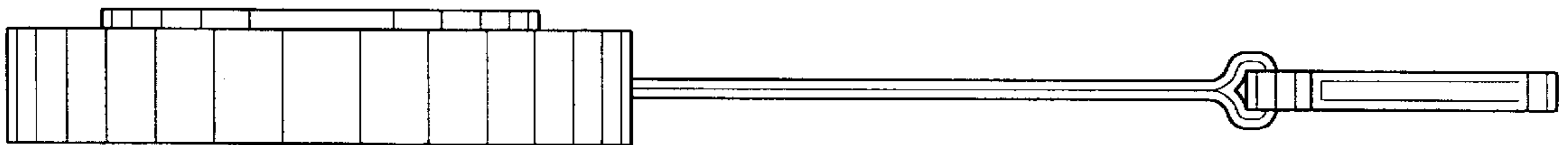


Fig. 6