



US00D420933S

**United States Patent** [19]  
**Kharloubian**

[11] **Patent Number: Des. 420,933**

[45] **Date of Patent: \*\* \*Feb. 22, 2000**

[54] **DOUBLE-SIDED JEWELRY SETTING**

D. 386,426 11/1997 Gemmell ..... D11/81  
D. 395,842 7/1998 Kenna ..... D11/81

[76] Inventor: **Joseph Kharloubian**, 19330 Linnet St.,  
Tarzana, Calif. 91356

*Primary Examiner*—Ralf Seifert  
*Attorney, Agent, or Firm*—Loeb & Loeb LLP

[\*] Notice: Under 35 U.S.C. 154(b), the term of this  
patent shall be extended for 1 day.

[\*\*] Term: **14 Years**

[57] **CLAIM**

The ornamental design for double-sided jewelry setting, as  
shown and described.

[21] Appl. No.: **29/097,599**

**DESCRIPTION**

[22] Filed: **Dec. 9, 1998**

[51] **LOC (7) Cl.** ..... **11-01**

[52] **U.S. Cl.** ..... **D11/81**

[58] **Field of Search** ..... D11/1, 2, 3, 4,  
D11/79-83, 95-103, 56; D3/207-211, 221;  
63/1.1, 2, 12, 20; D10/31

FIG. 1 is a top plan view of a double-sided jewelry setting  
showings my new design, the broken line showing of a gem  
and mountings is for illustrative purposes only and forms no  
part of the claimed design;

FIG. 2 is a left side elevational view thereof;

FIG. 3 is a top end view thereof;

FIG. 4 is a right side elevational view thereof;

FIG. 5 is a bottom plan view thereof; and,

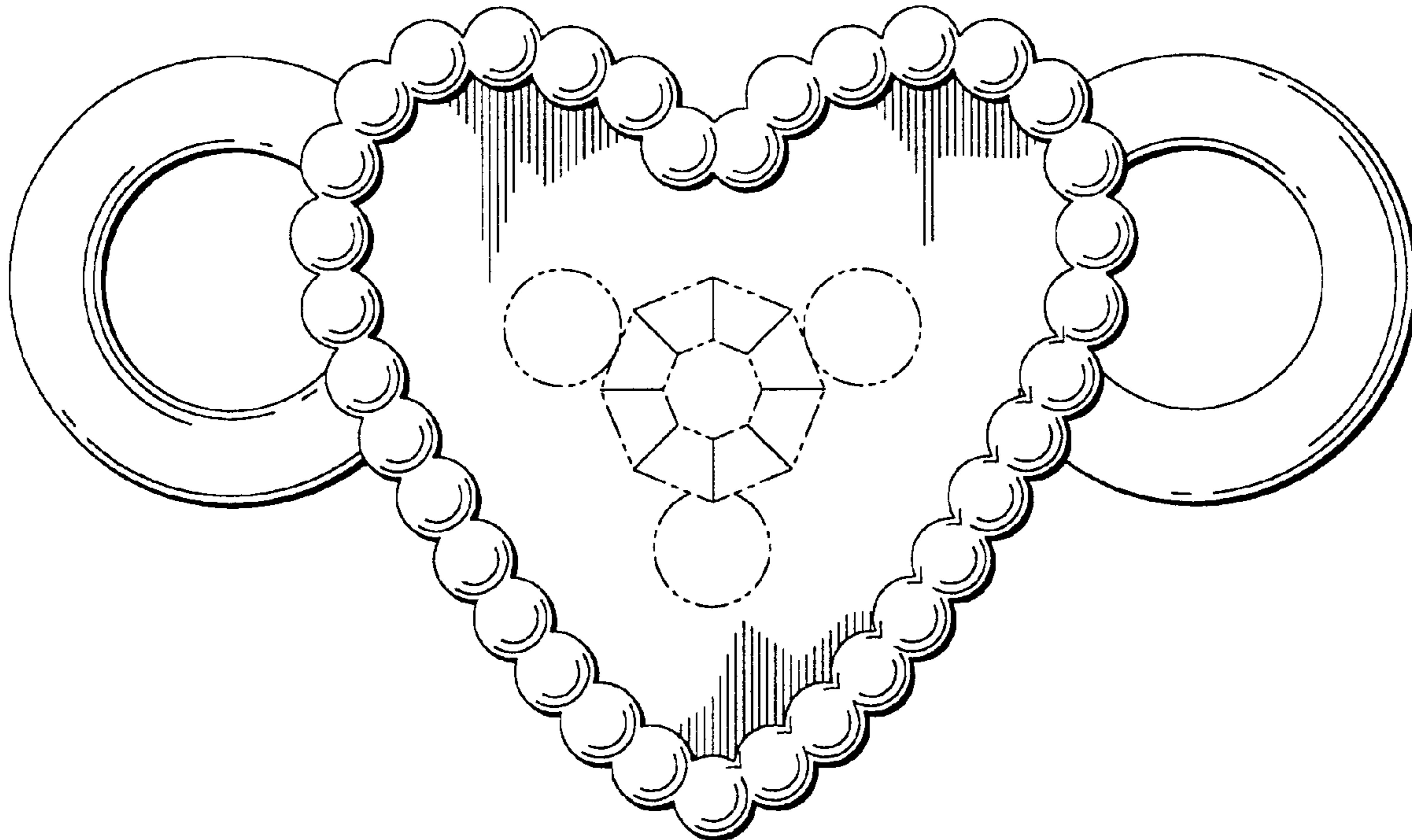
FIG. 6 is a bottom end view thereof.

[56] **References Cited**

**U.S. PATENT DOCUMENTS**

D. 211,897 8/1968 Tokar ..... D10/31

**1 Claim, 2 Drawing Sheets**



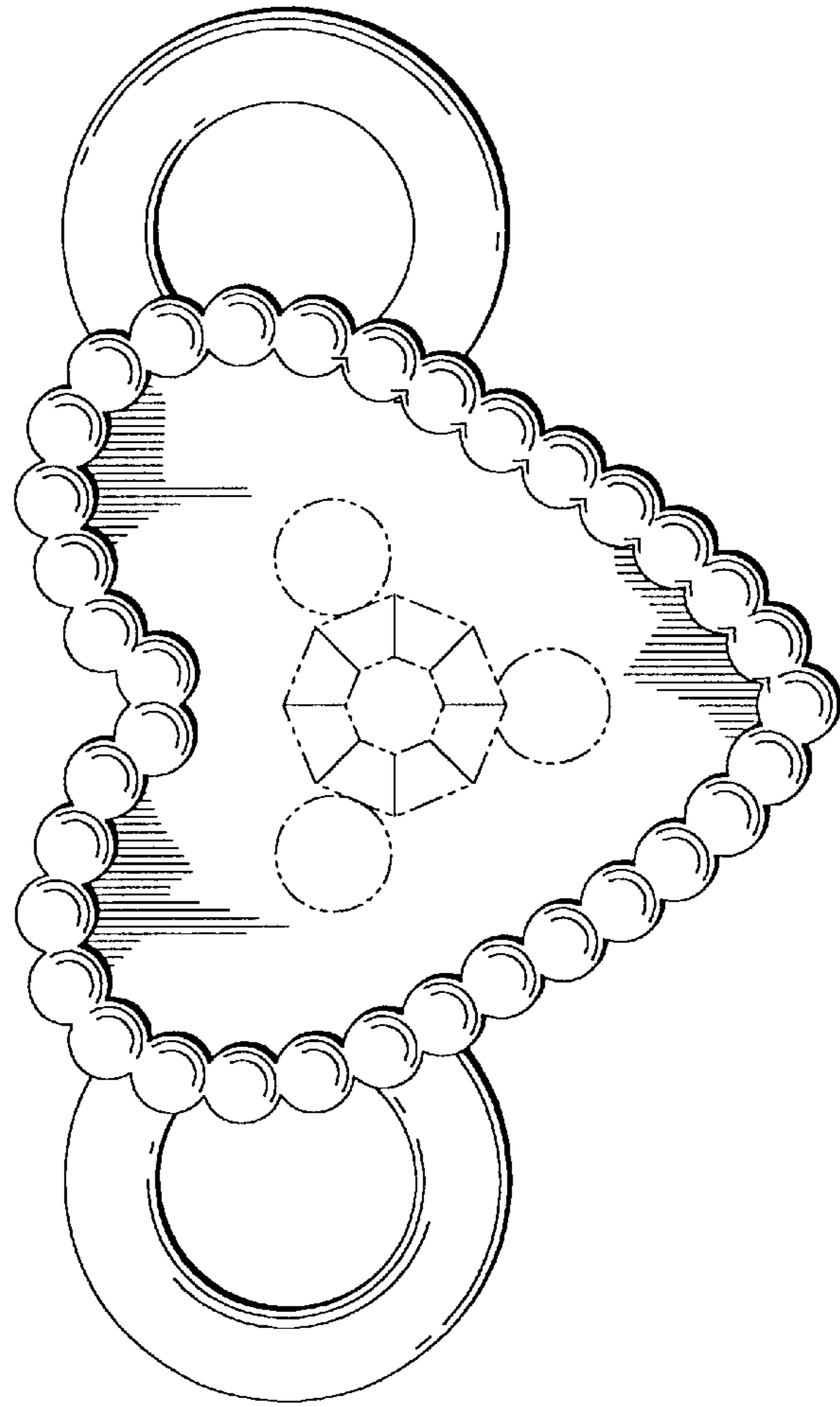
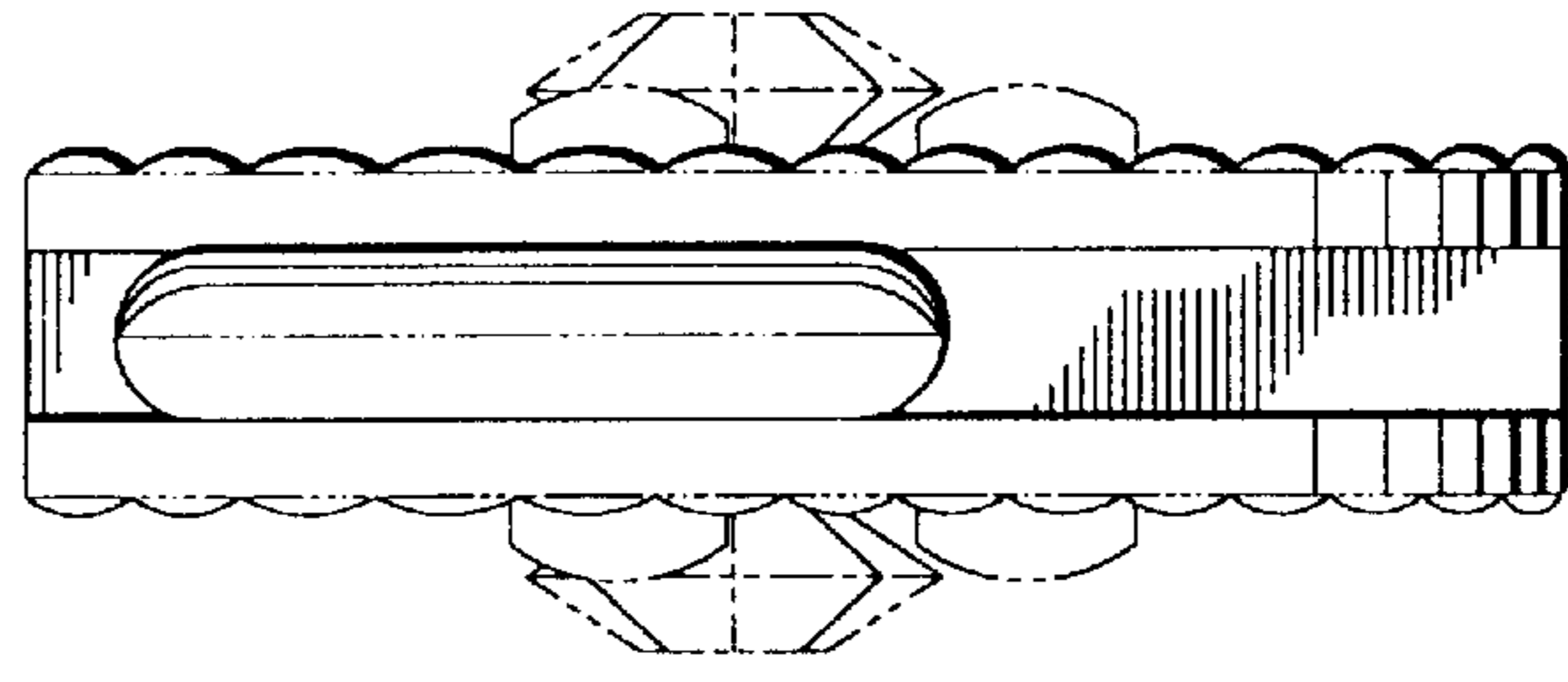
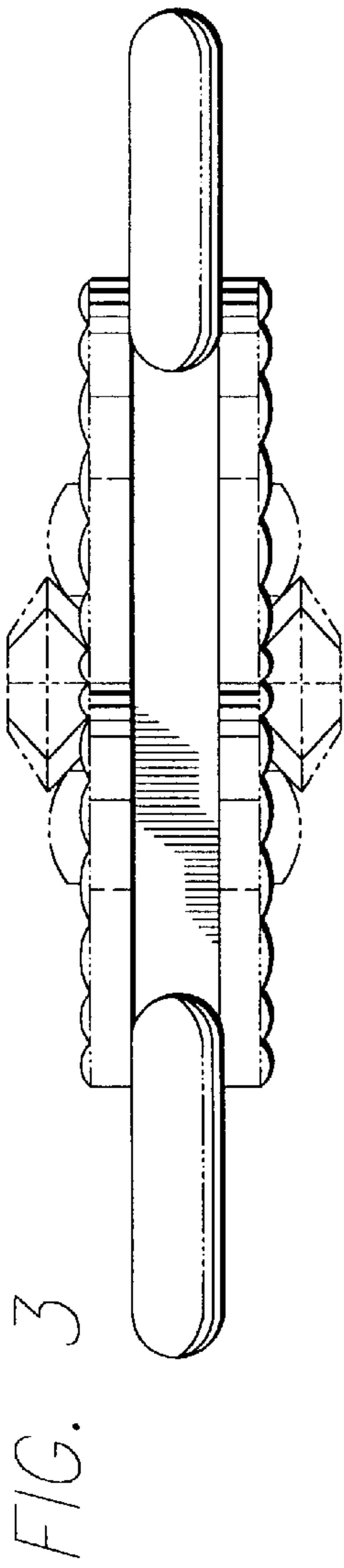


FIG. 3

FIG. 1

FIG. 2

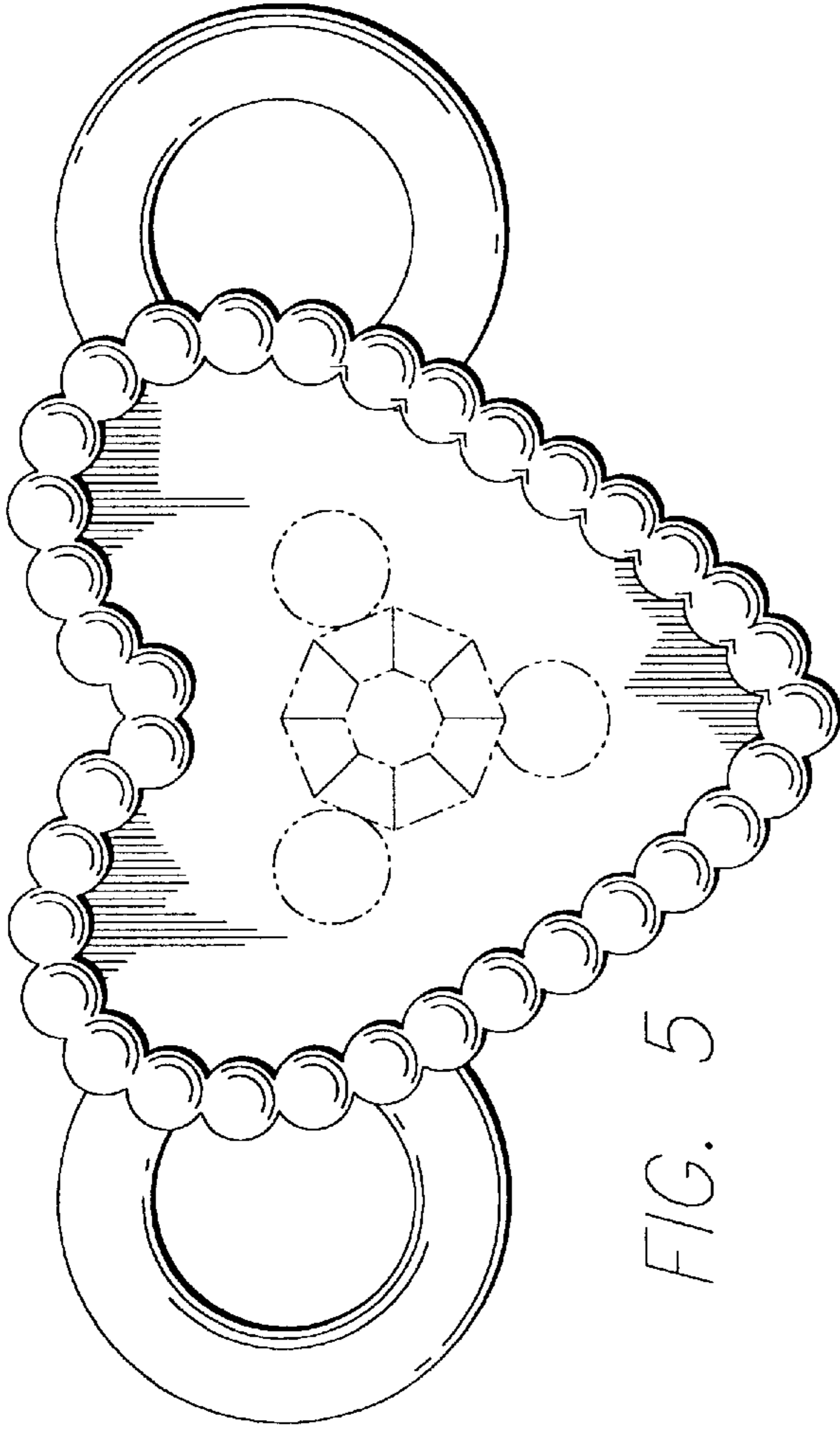


FIG. 5

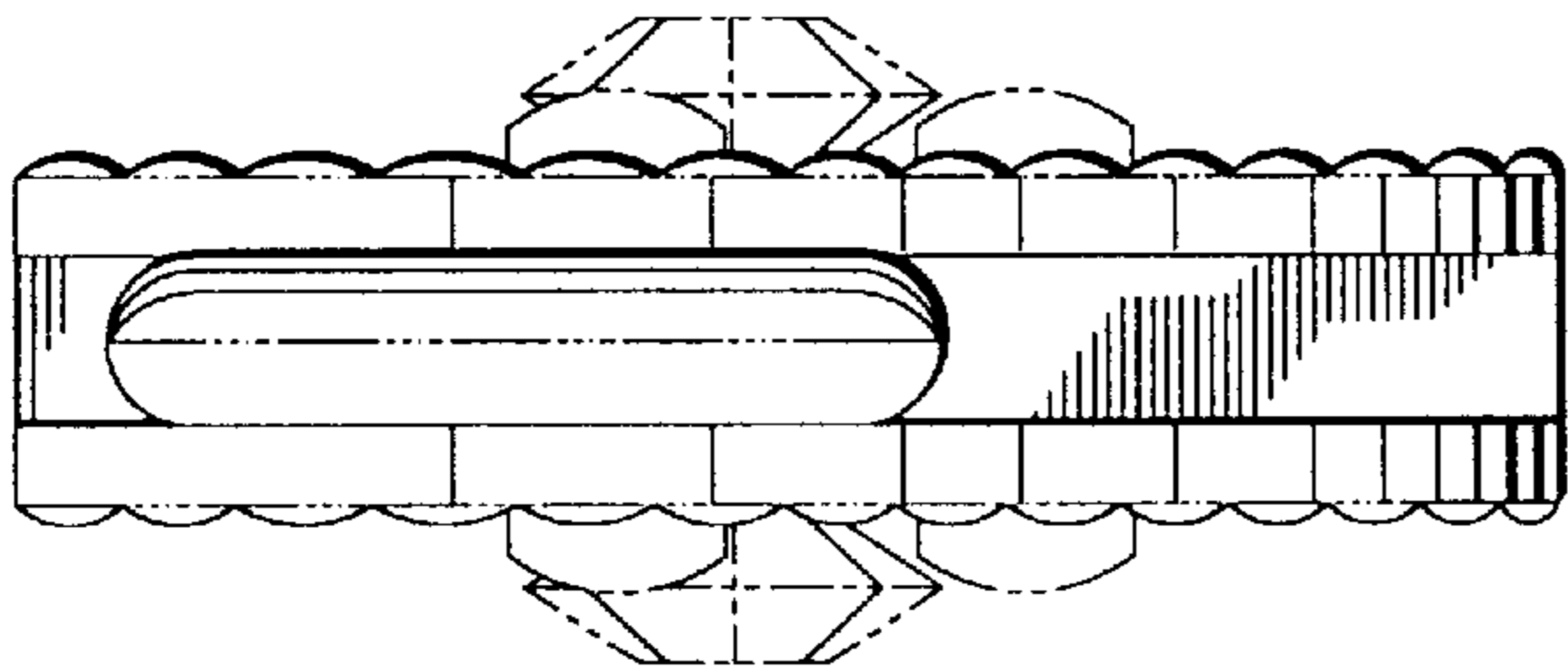


FIG. 4

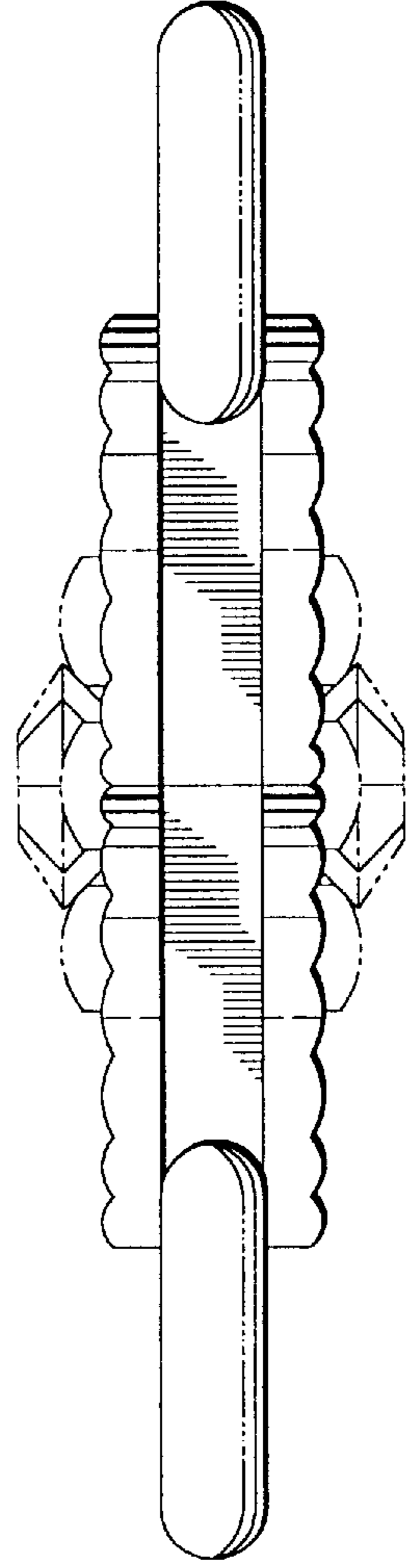


FIG. 6